



US00D609939S

(12) **United States Design Patent**  
**Gosine**

(10) **Patent No.:** **US D609,939 S**

(45) **Date of Patent:** **\*\* Feb. 16, 2010**

(54) **SHOE PEDESTAL**

(76) **Inventor:** **Rohan Gosine**, 109-18 142nd St.,  
Jamaica Queens, NY (US) 11435

(\*\*) **Term:** **14 Years**

(21) **Appl. No.:** **29/333,661**

(22) **Filed:** **Mar. 12, 2009**

(51) **LOC (9) Cl.** ..... **06-04**

(52) **U.S. Cl.** ..... **D6/466**

(58) **Field of Classification Search** ..... D6/466,  
D6/467, 496, 495, 449, 486, 436, 457, 490,  
D6/420, 411, 396; 248/146, 188, 188.1,  
248/159; D7/403; D23/292; 211/37, 13.1;  
D3/266

See application file for complete search history.

(56) **References Cited**

**U.S. PATENT DOCUMENTS**

D62,323	S	*	5/1923	Farber	.....	D3/266
D62,816	S	*	8/1923	Fayle	.....	D6/490
D161,724	S	*	1/1951	Anderson et al.	.....	D6/420
D207,643	S	*	5/1967	Tincher	.....	D6/495
3,438,675	A		4/1969	Seguin et al.		
4,159,714	A		7/1979	Peterson et al.		
D276,100	S	*	10/1984	Middleton	.....	D6/466
4,550,802	A		11/1985	Roper		
4,979,240	A		12/1990	Welles		
4,991,908	A		2/1991	Krechel		
D337,219	S	*	7/1993	Dokoupil et al.	.....	D6/457

5,362,019	A	*	11/1994	Swanson	.....	248/146
D353,499	S	*	12/1994	Schwallenstecker	.....	D6/449
D410,173	S	*	5/1999	Best	.....	D7/403
D424,821	S		5/2000	Humeston		
D434,923	S	*	12/2000	Arrowsmith et al.	.....	D6/436
D543,263	S	*	5/2007	Dolan	.....	D23/292
D561,495	S	*	2/2008	Kreiss	.....	D6/486
D566,986	S	*	4/2008	Greiner	.....	D6/411
D581,698	S	*	12/2008	Fix	.....	D6/449
D592,430	S	*	5/2009	Trawick et al.	.....	D6/495
D595,070	S	*	6/2009	Wacker	.....	D6/496
2008/0203250	A1	*	8/2008	Blok	.....	248/158

\* cited by examiner

*Primary Examiner*—Caron Veynar  
*Assistant Examiner*—Sydney R Buffalow

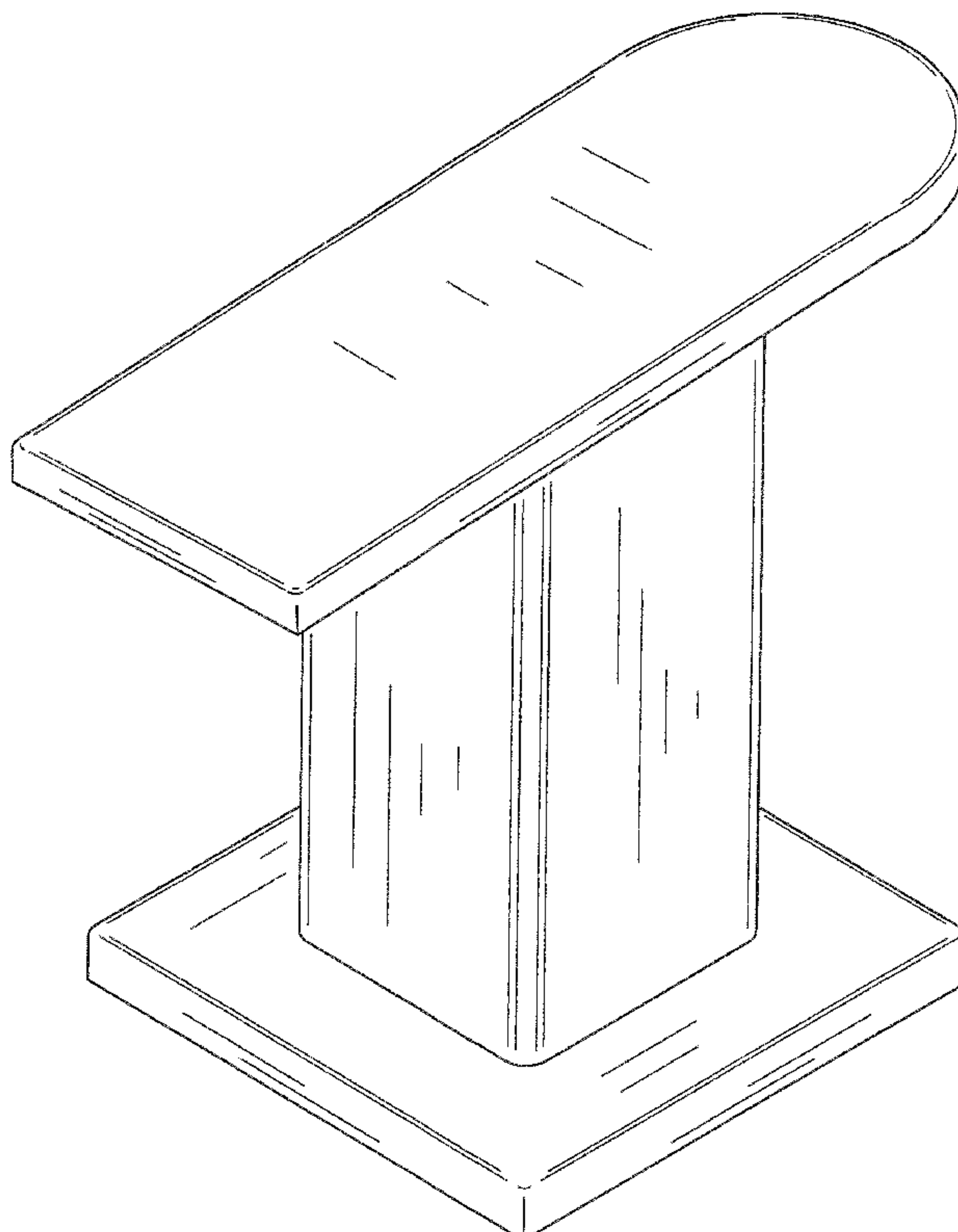
(57) **CLAIM**

The ornamental design for a shoe pedestal, as shown and described.

**DESCRIPTION**

FIG. 1 is a perspective view of a shoe pedestal;  
FIG. 2 is a side view thereof (opposite side is mirror image);  
FIG. 3 is a back view thereof;  
FIG. 4 is a front view thereof;  
FIG. 5 is a top view thereof; and,  
FIG. 6 is a bottom view thereof.

**1 Claim, 4 Drawing Sheets**



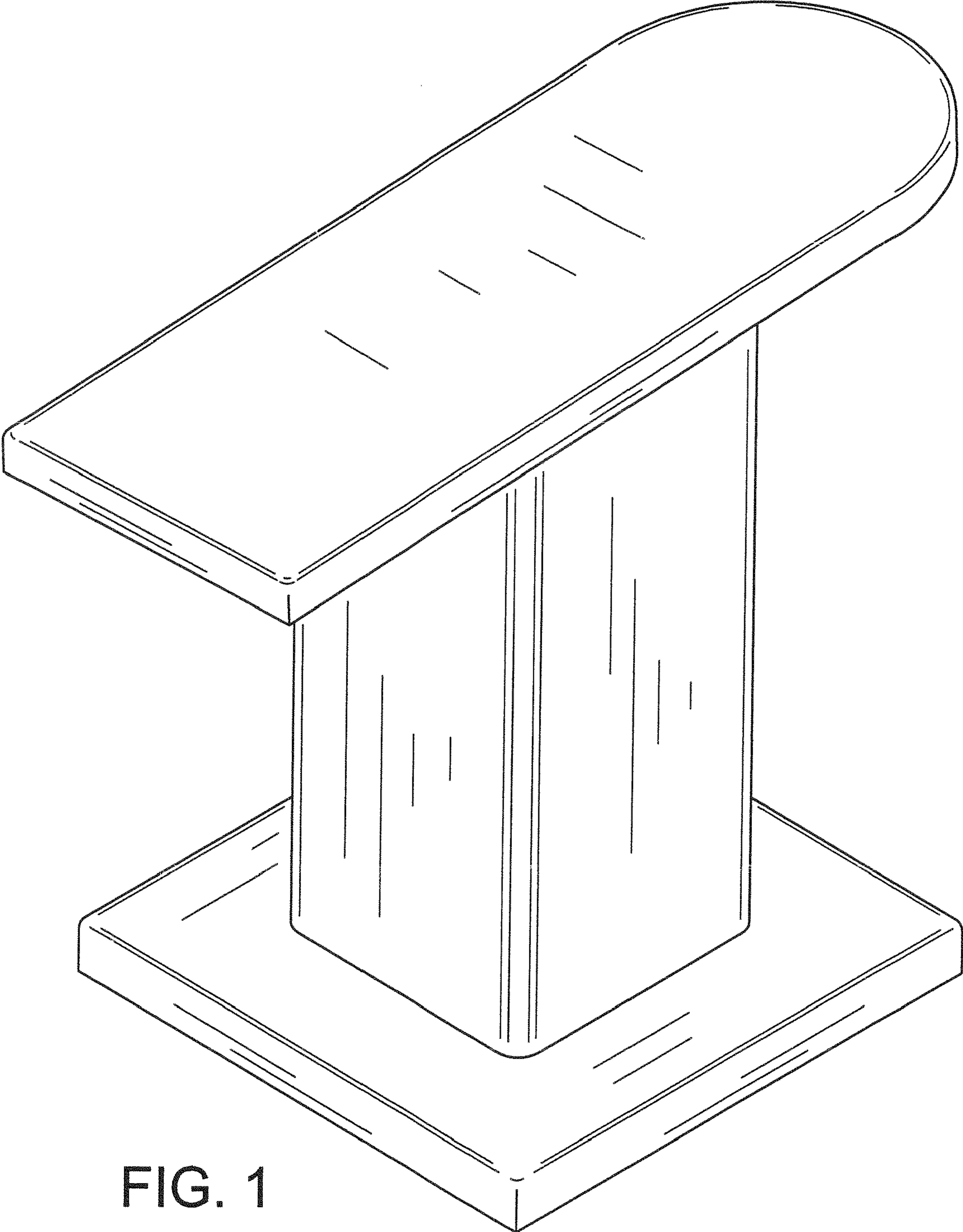


FIG. 1

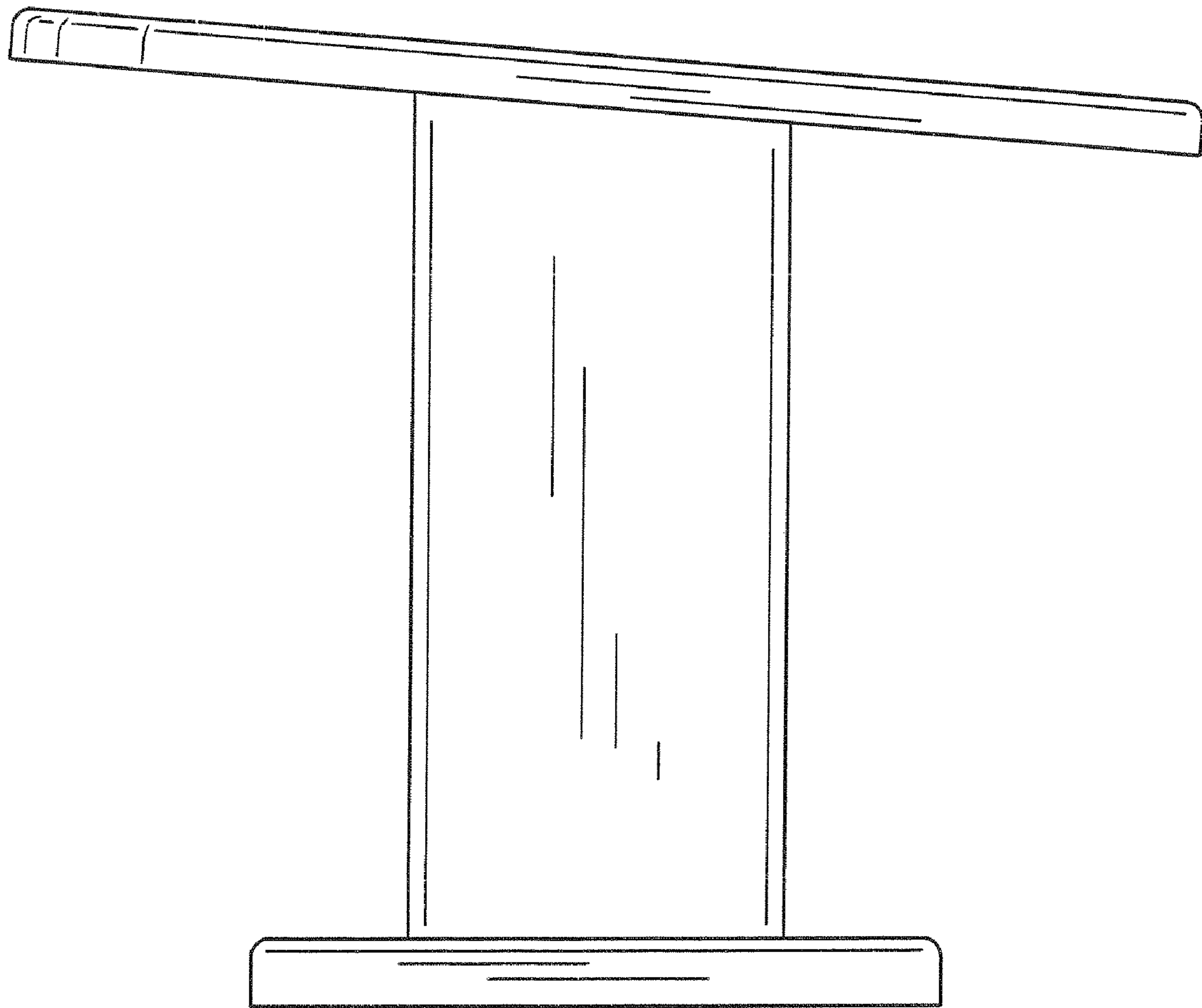


FIG. 2

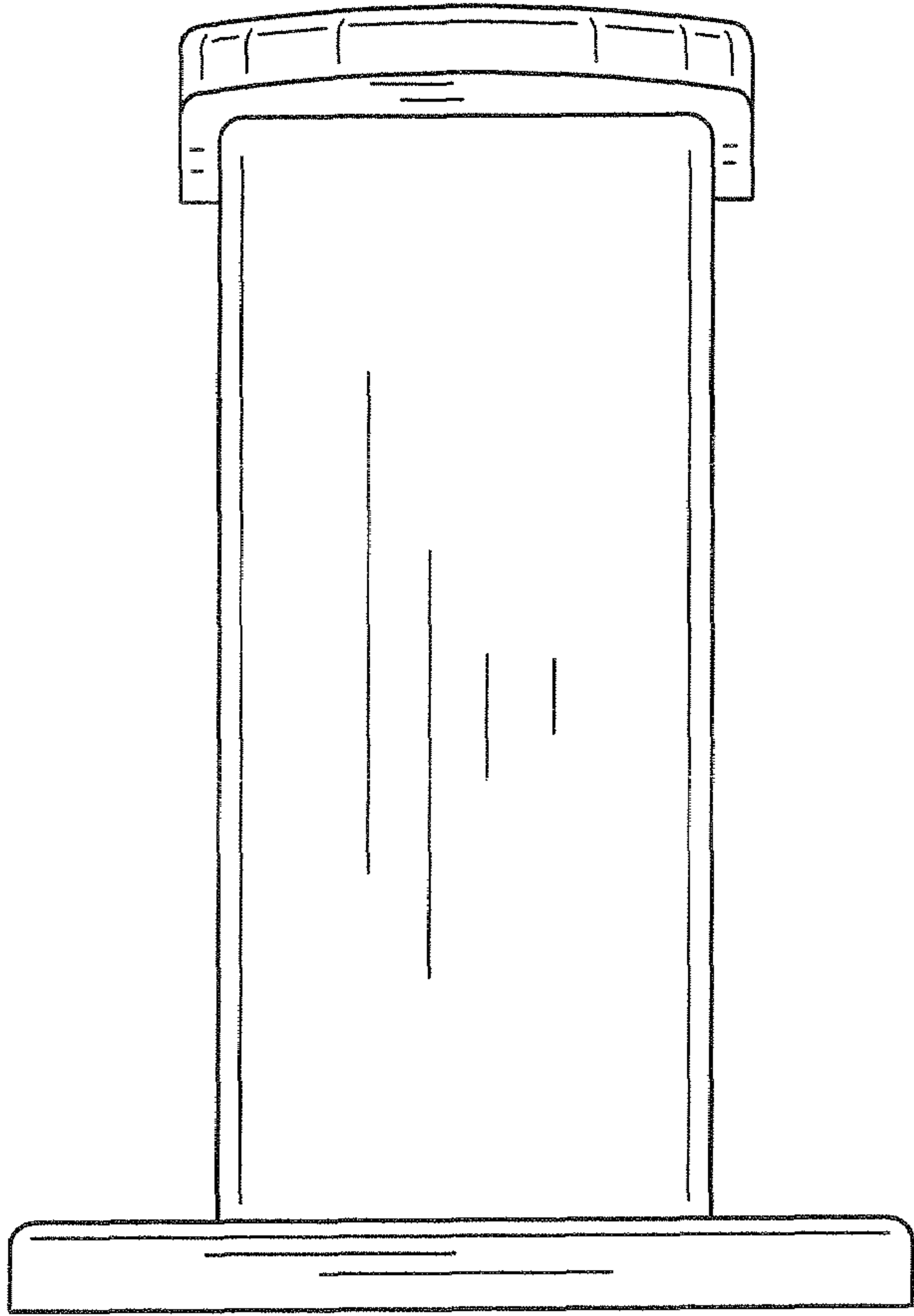


FIG. 3

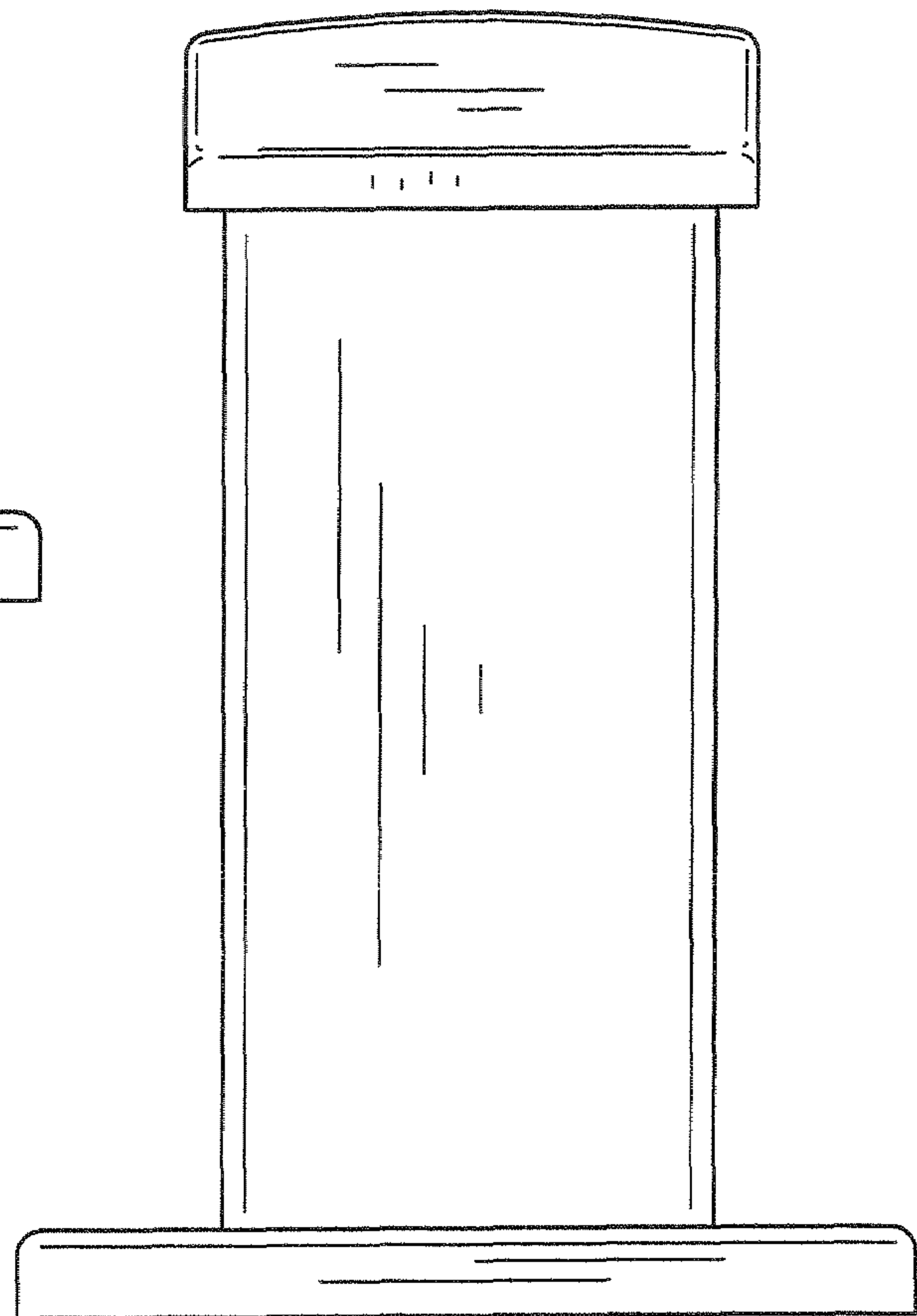


FIG. 4

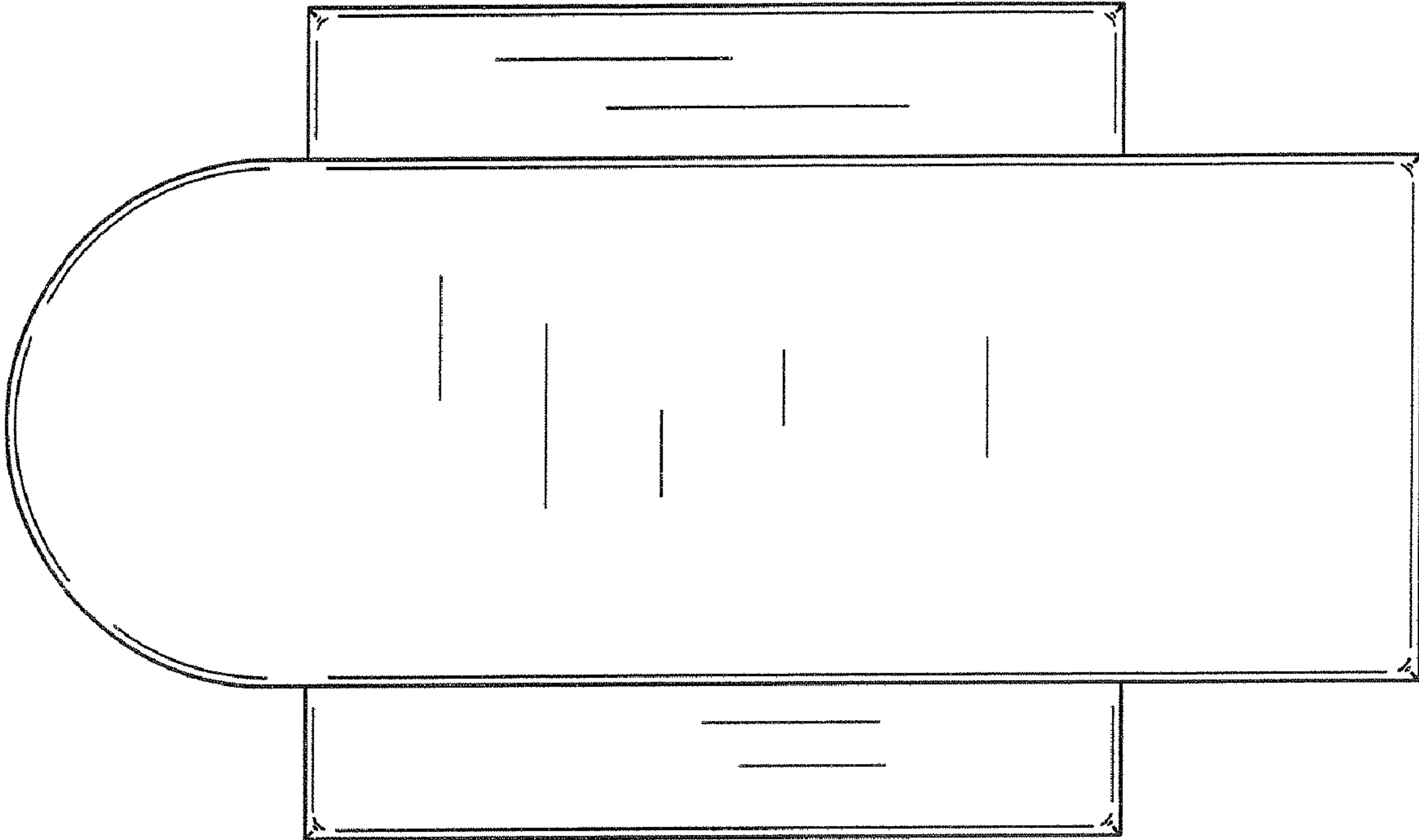


FIG. 5

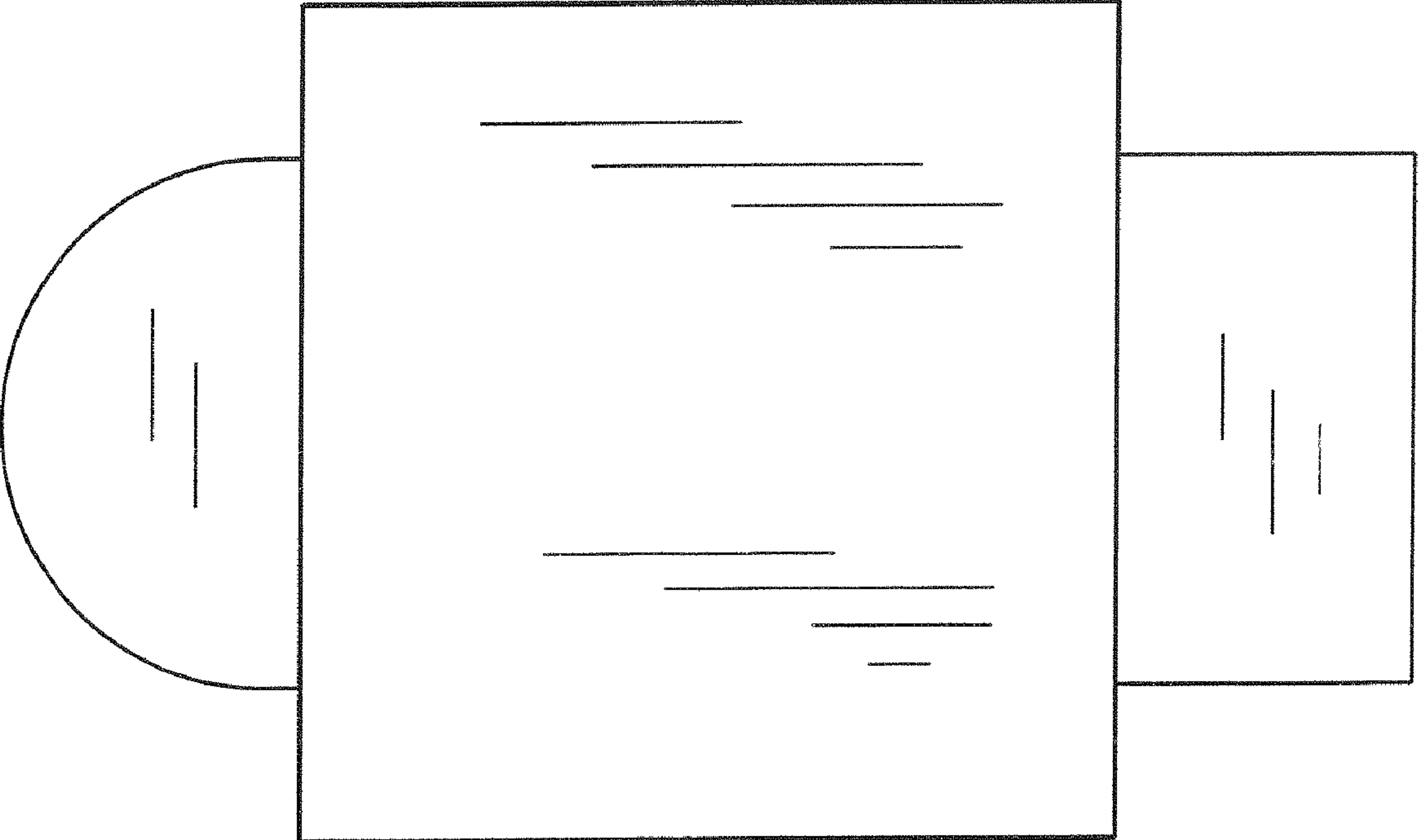


FIG. 6