



US00D609938S

(12) **United States Design Patent**
Zarelius

(10) **Patent No.:** **US D609,938 S**

(45) **Date of Patent:** **** Feb. 16, 2010**

(54) **SIGN STAND**

D488,937 S * 4/2004 Gillet D6/471
D506,319 S * 6/2005 Chan D6/310
D589,267 S * 3/2009 Pitot D6/308

(75) Inventor: **Christer Zarelius**, Stockholm (SE)

* cited by examiner

(73) Assignee: **Expand International AB**, Stockholm (SE)

Primary Examiner—Caron Veynar
Assistant Examiner—Sydney R Buffalow

(**) Term: **14 Years**

(74) *Attorney, Agent, or Firm*—Ohlandt, Greeley, Ruggiero & Perle, LLP

(21) Appl. No.: **29/313,705**

(22) Filed: **Feb. 3, 2009**

(57) **CLAIM**

(30) **Foreign Application Priority Data**

It is claimed the ornamental design for the sign stand, as shown and described in the accompanying figures.

Oct. 1, 2008 (EM) 1012199-0001

DESCRIPTION

(51) **LOC (9) Cl.** **06-04**

FIG. 1 is a perspective view of the sign stand according to the present invention;

(52) **U.S. Cl.** **D6/464; D20/10**

FIG. 2 is a front side elevation view of a sign stand of FIG. 1; FIG. 3 is a back side elevation view of the sign stand of FIG. 1;

(58) **Field of Classification Search** D6/300–314, D6/444; 40/700, 711, 714, 715, 716, 719, 40/720, 721, 722, 735, 738, 744, 745, 754, 40/765, 768, 769, 790, 798, 597; D20/29–32, D20/10; D11/131, 133, 134, 135; 359/838, 359/871, 872; 248/466–467; D28/83
See application file for complete search history.

FIG. 4 is a right side elevation view, of the sign stand of FIG. 1; the left side elevation of the sign stand being a mirror image of the right side elevation view;

(56) **References Cited**

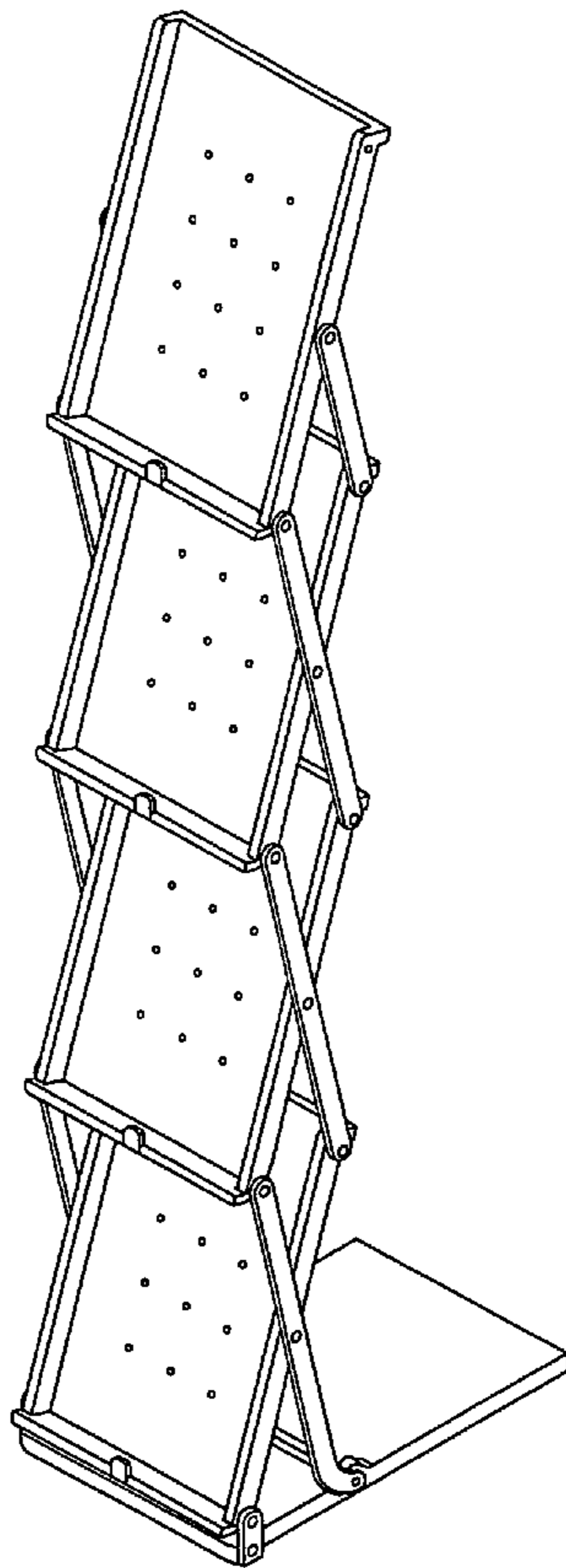
FIG. 5 is a top plan view of the sign stand of FIG. 1; and,

U.S. PATENT DOCUMENTS

FIG. 6 is a bottom plan view of the sign stand of FIG. 1.

D483,575 S * 12/2003 Chan D6/310

1 Claim, 6 Drawing Sheets



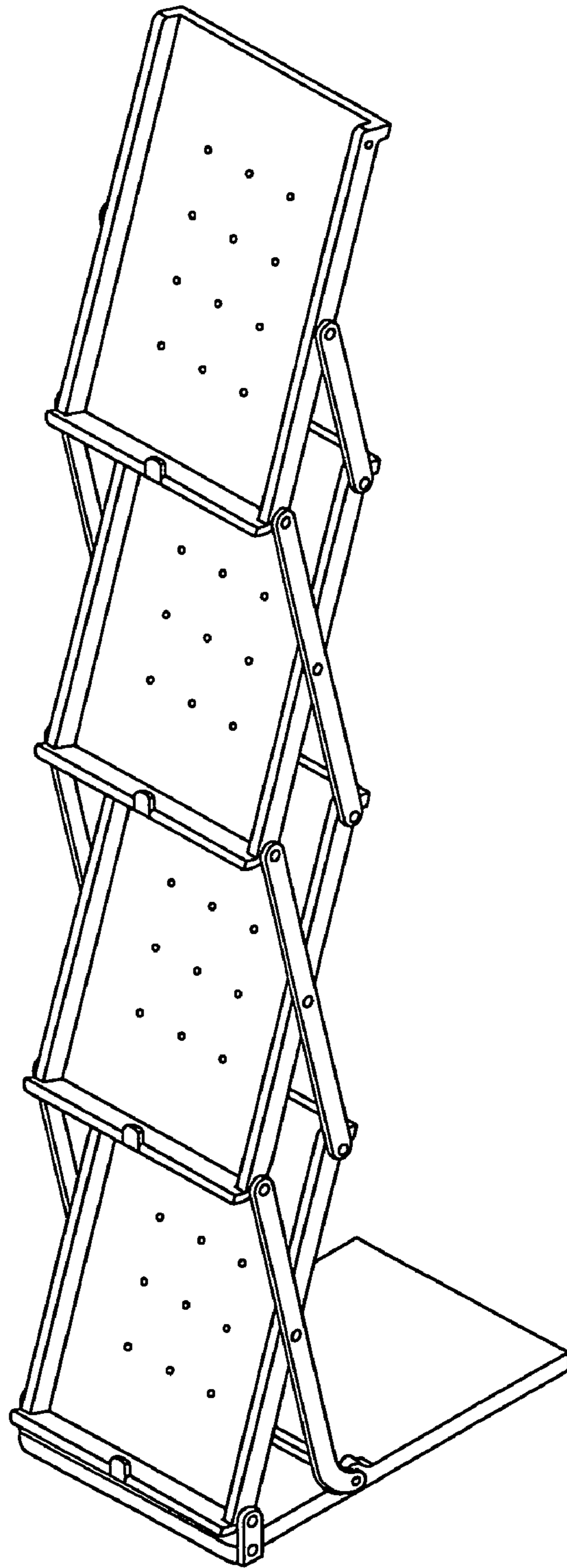


Fig. 1

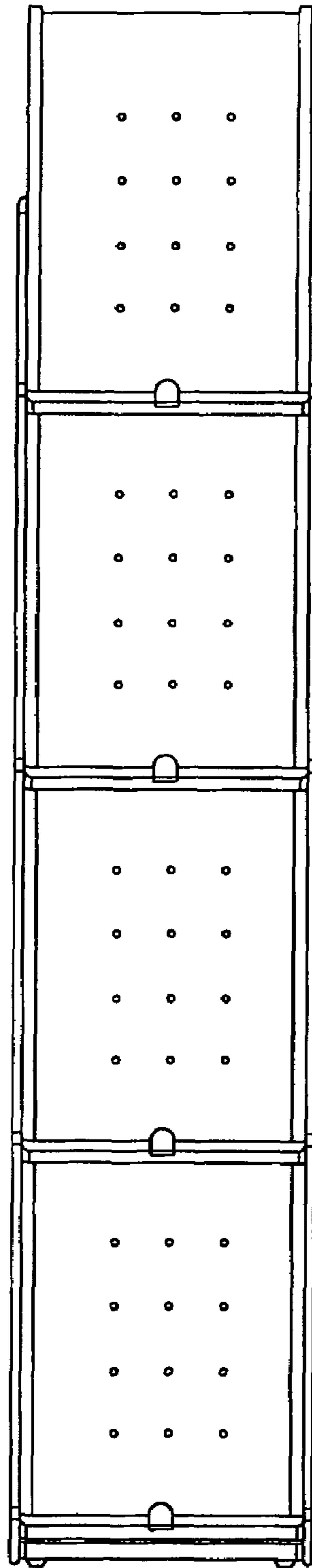


Fig. 2

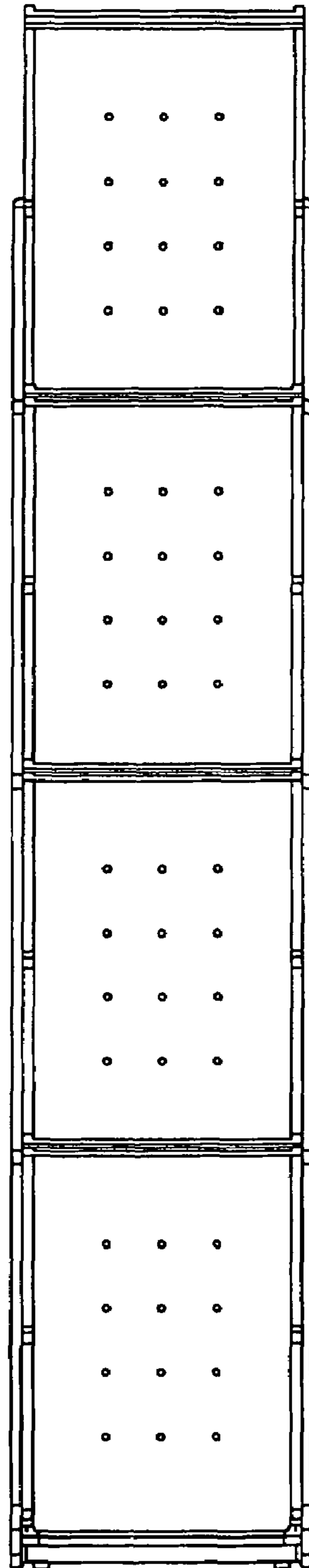


Fig. 3

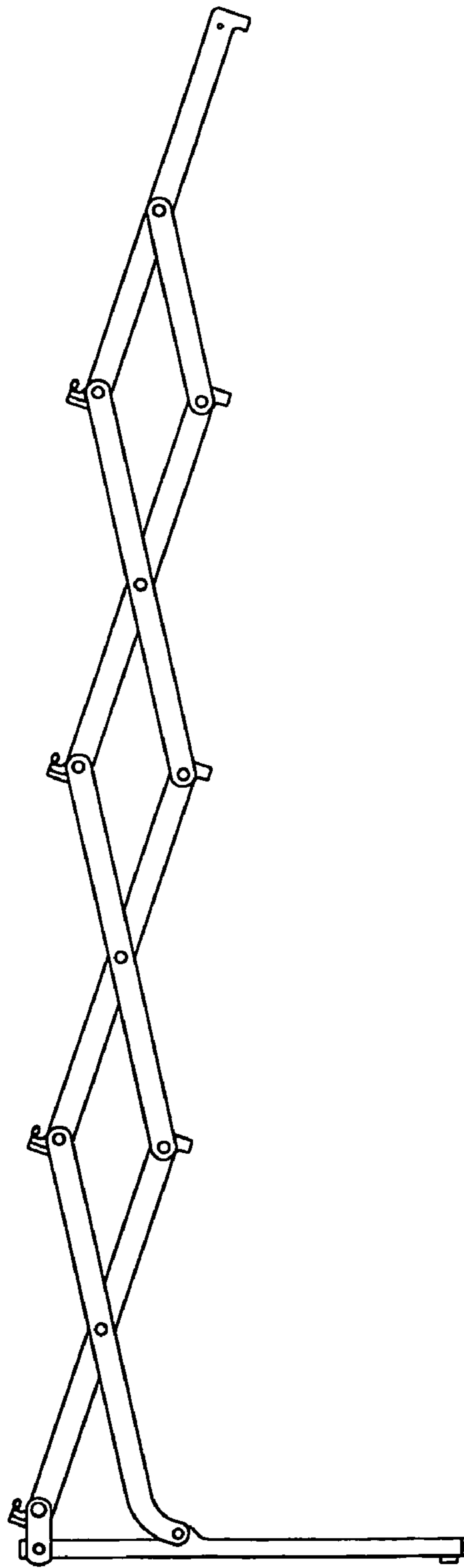


Fig. 4

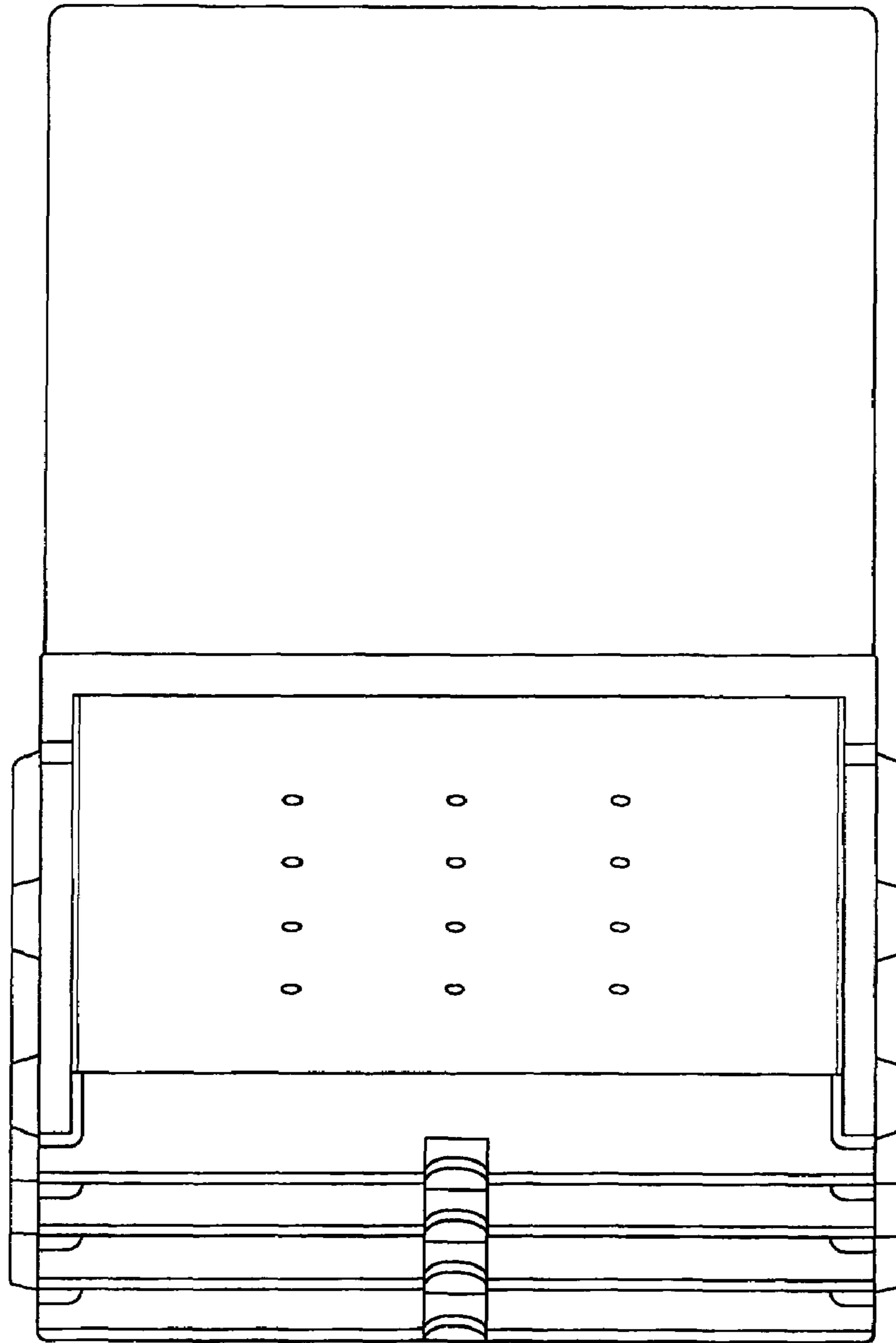


Fig. 5

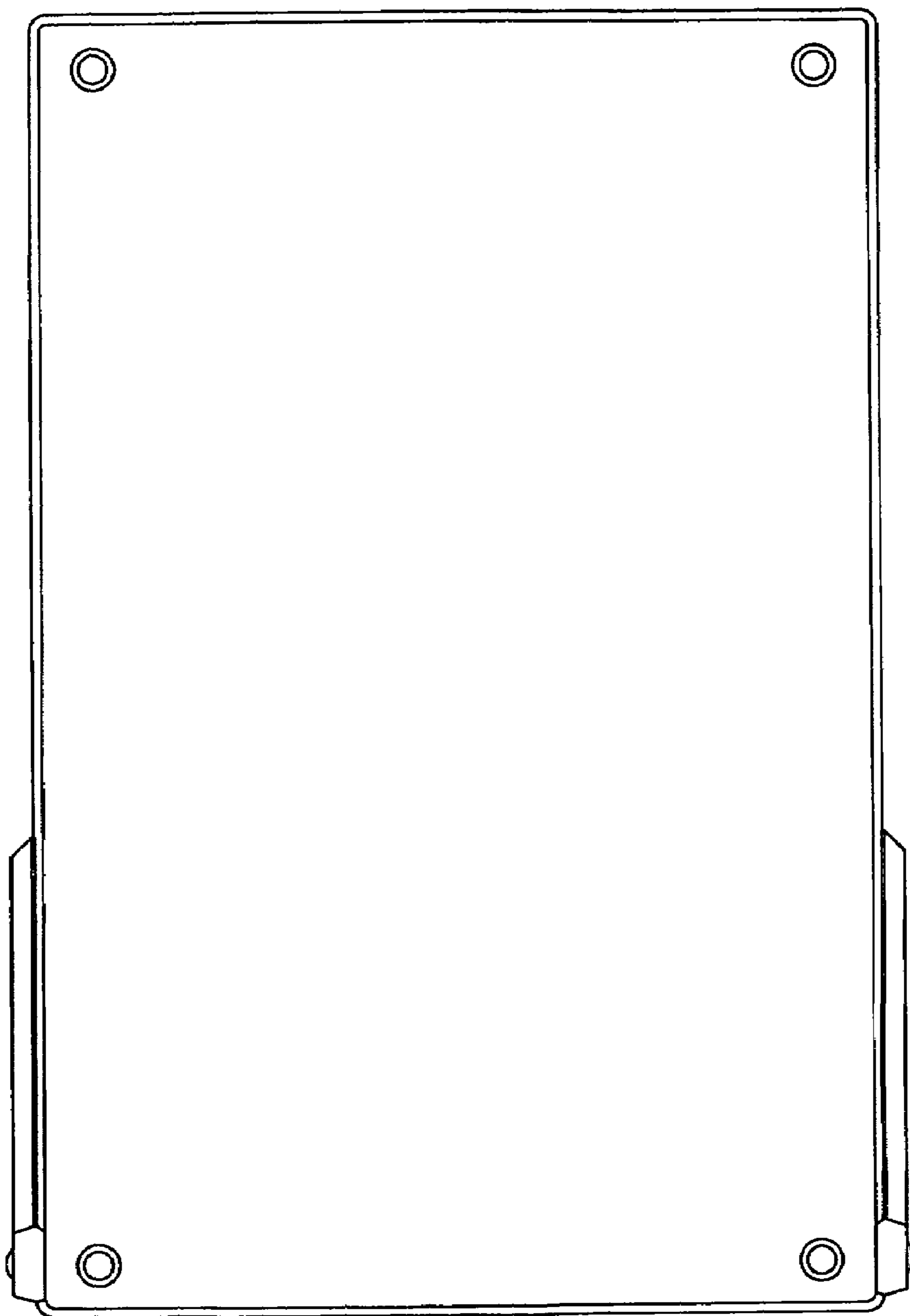


Fig. 6