



US00D609936S

(12) **United States Design Patent**
Haimoff

(10) **Patent No.:** **US D609,936 S**

(45) **Date of Patent:** **** Feb. 16, 2010**

(54) **STORAGE CABINET**

(75) Inventor: **Efraim Haimoff**, Mevasereth Zion (IL)

(73) Assignee: **Keter Plastic Ltd.**, Herzelyia (IL)

(**) Term: **14 Years**

(21) Appl. No.: **29/274,619**

(22) Filed: **May 9, 2007**

(51) **LOC (9) Cl.** **06-04**

(52) **U.S. Cl.** **D6/432**

(58) **Field of Classification Search** D6/397,
D6/425-426, 429, 432-448, 470, 474, 477-480,
D6/484, 492-495, 510; D13/184; D14/308;
312/107, 114, 198, 204, 209, 224, 257
See application file for complete search history.

(56) **References Cited**

U.S. PATENT DOCUMENTS

D386,627 S *	11/1997	Estape et al.	D6/445
D395,180 S *	6/1998	Sagol	D6/446
D407,385 S *	3/1999	Belanger et al.	D14/308
D431,733 S *	10/2000	Zimmerman	D6/446
D435,178 S *	12/2000	Thompson et al.	D6/432
D459,614 S *	7/2002	Grosfillex	D6/446
6,513,889 B1 *	2/2003	Park	312/206
D492,134 S *	6/2004	Moon et al.	D6/446
D492,507 S *	7/2004	Moon et al.	D6/446
D496,540 S *	9/2004	Moon et al.	D6/446
D499,275 S *	12/2004	Grosfillex	D6/446
D499,276 S *	12/2004	Grosfillex	D6/446
D501,616 S *	2/2005	Walker	D6/446
D528,824 S *	9/2006	Grosfillex	D6/445

D534,010 S *	12/2006	O'Reilly	D6/446
D553,389 S *	10/2007	Marcus et al.	D6/446
D579,697 S *	11/2008	Schmidt et al.	D6/510
D580,195 S *	11/2008	Daino et al.	D6/494
D591,076 S *	4/2009	Guizzardi	D6/432
D592,618 S *	5/2009	Lewis et al.	D13/184
2003/0127956 A1 *	7/2003	Stoever	312/257.1

* cited by examiner

Primary Examiner—Caron Veynar

Assistant Examiner—Ricky Pham

(74) *Attorney, Agent, or Firm*—The Nath Law Group; Derek Richmond; Jiaxiao Zhang

(57) **CLAIM**

The ornamental design for a storage cabinet, as shown and described.

DESCRIPTION

FIG. 1 is a front perspective view of a storage cabinet, in a closed position;

FIG. 2 is a front view of the storage cabinet shown in FIG. 1;

FIG. 3 is a rear view of the storage cabinet shown in FIG. 1;

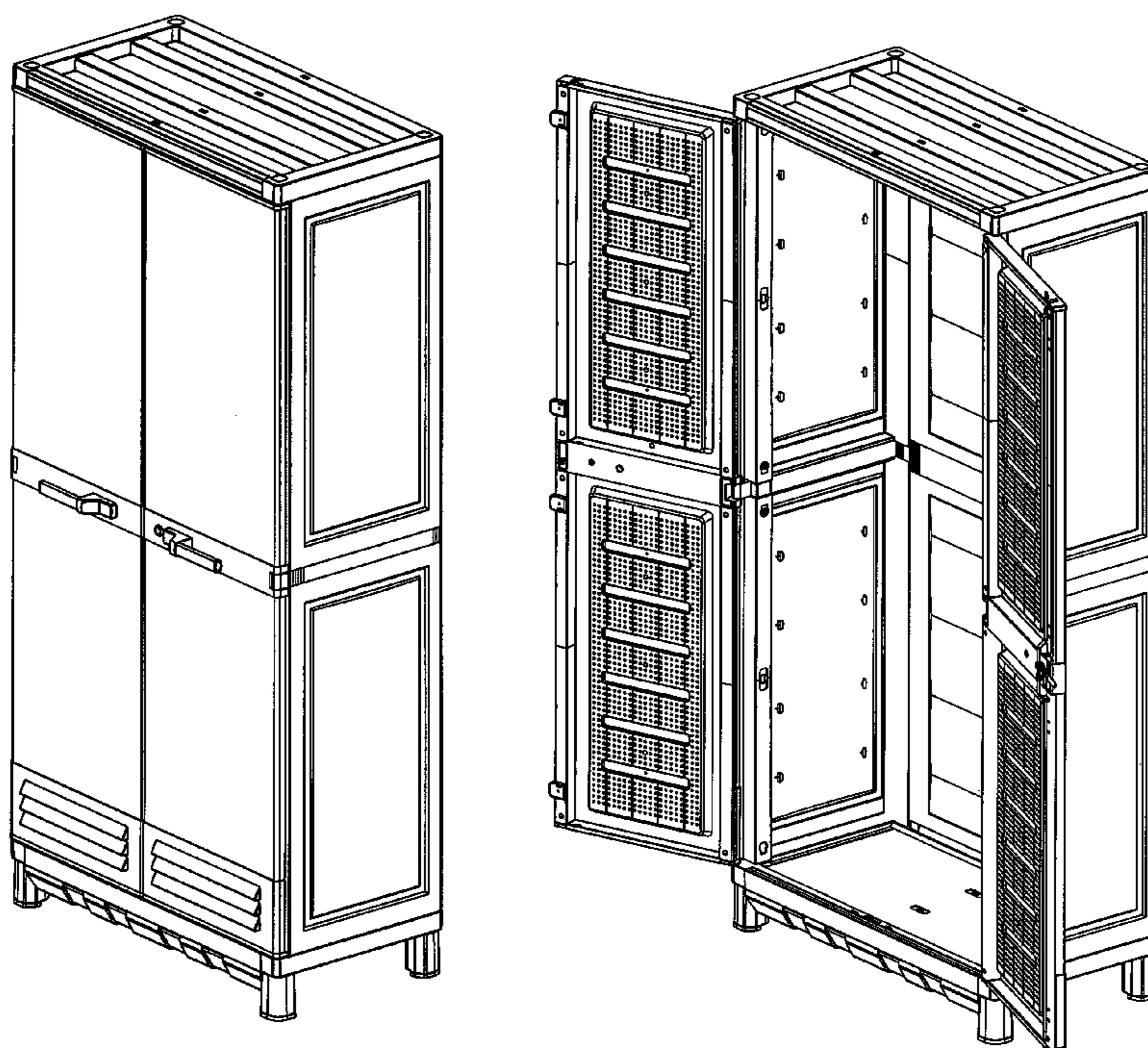
FIG. 4 is a left side view of the storage cabinet shown in FIG. 1, the right side view being a mirror image of the left side view;

FIG. 5 is a top view of the storage cabinet shown in FIG. 1;

FIG. 6 is a bottom view of the storage cabinet shown in FIG. 1; and,

FIG. 7 is a front perspective view of the storage cabinet shown in FIG. 1, in an opened position.

1 Claim, 6 Drawing Sheets



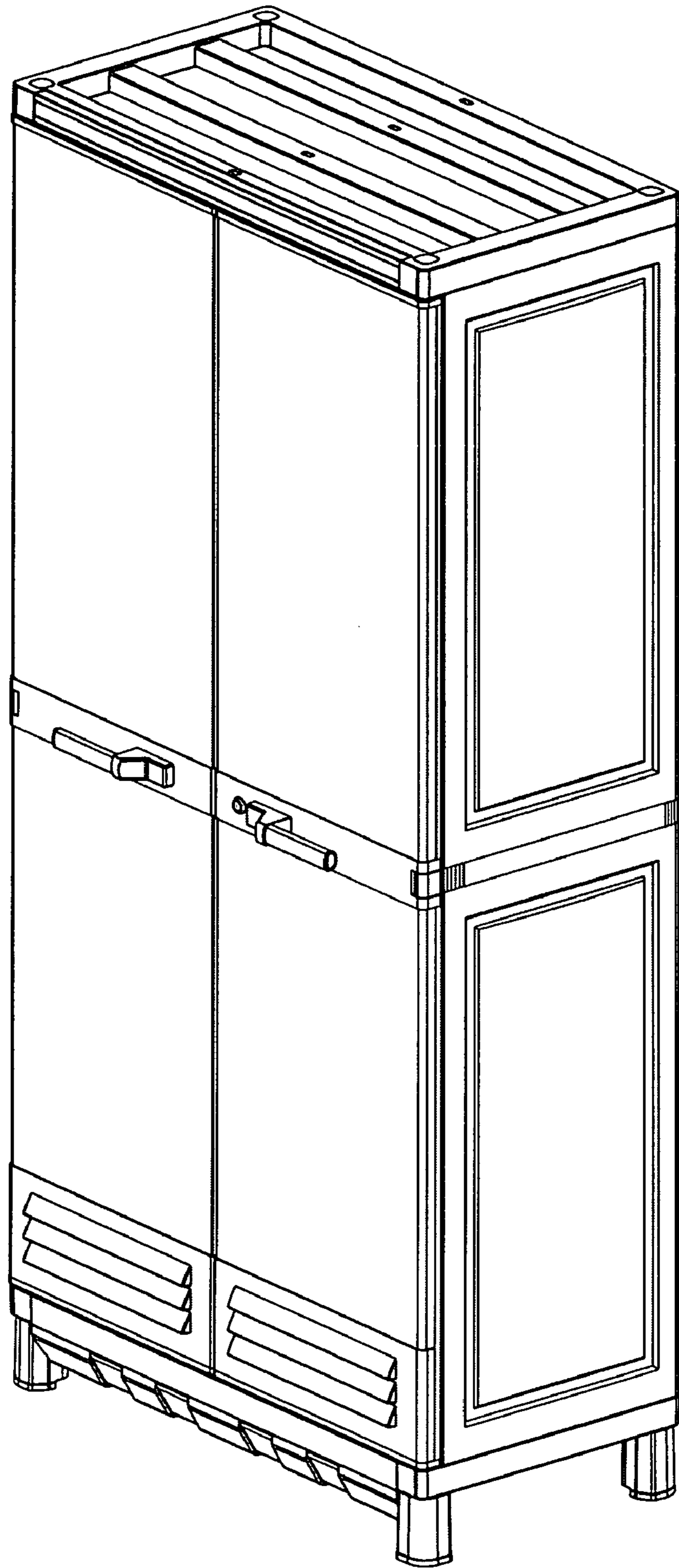


FIG. 1

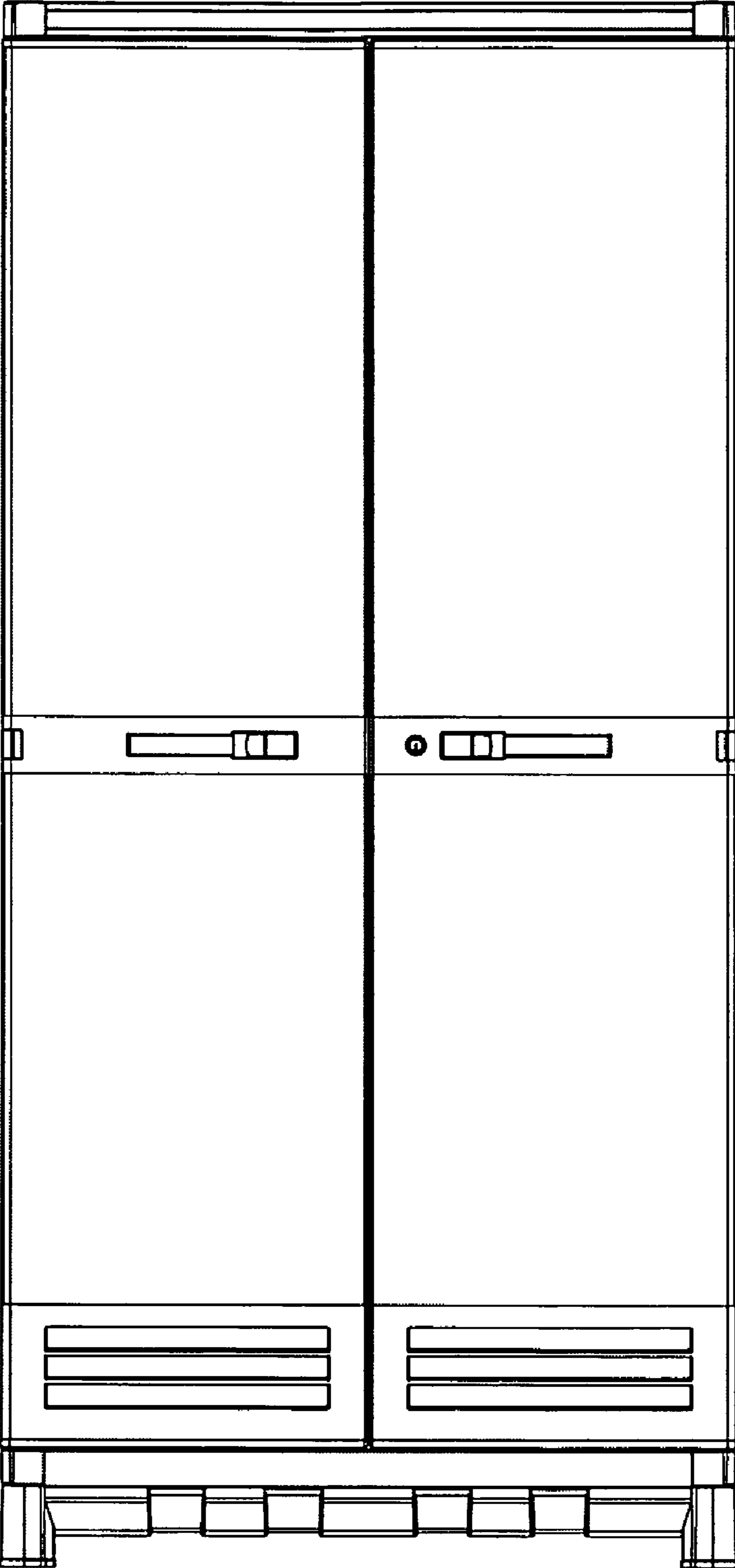


FIG. 2

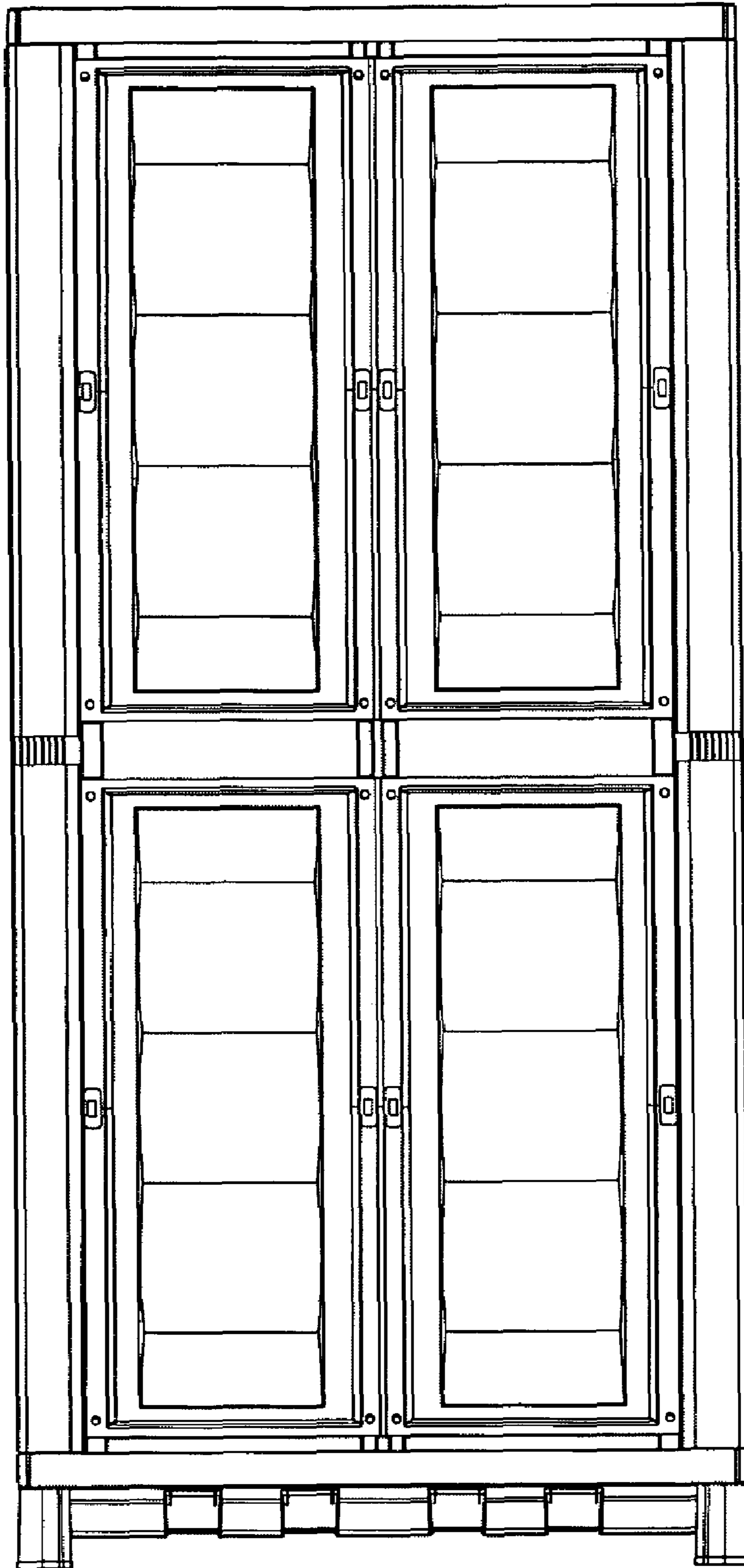


FIG. 3

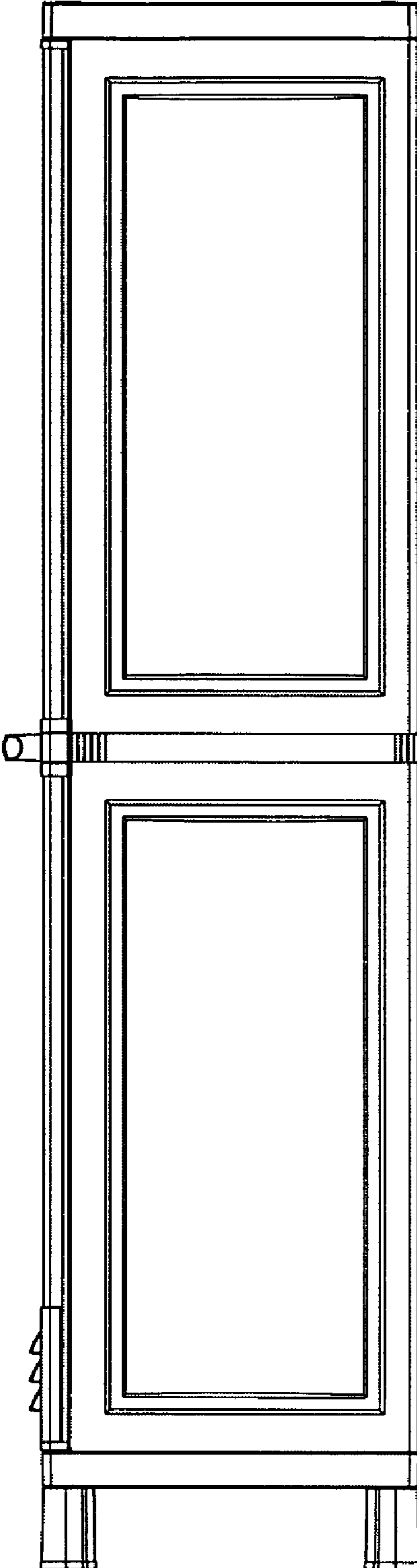


FIG. 4

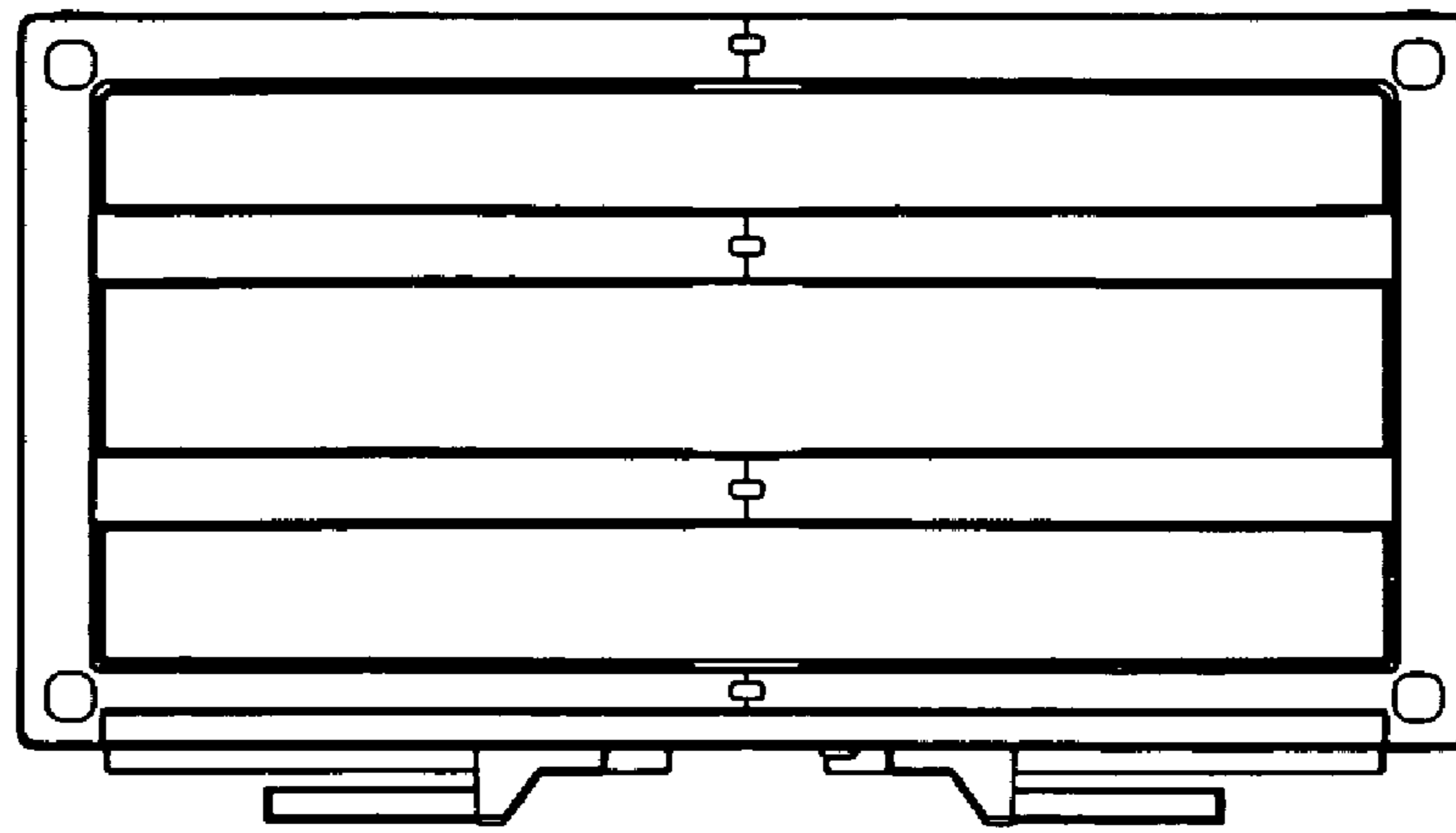


FIG. 5

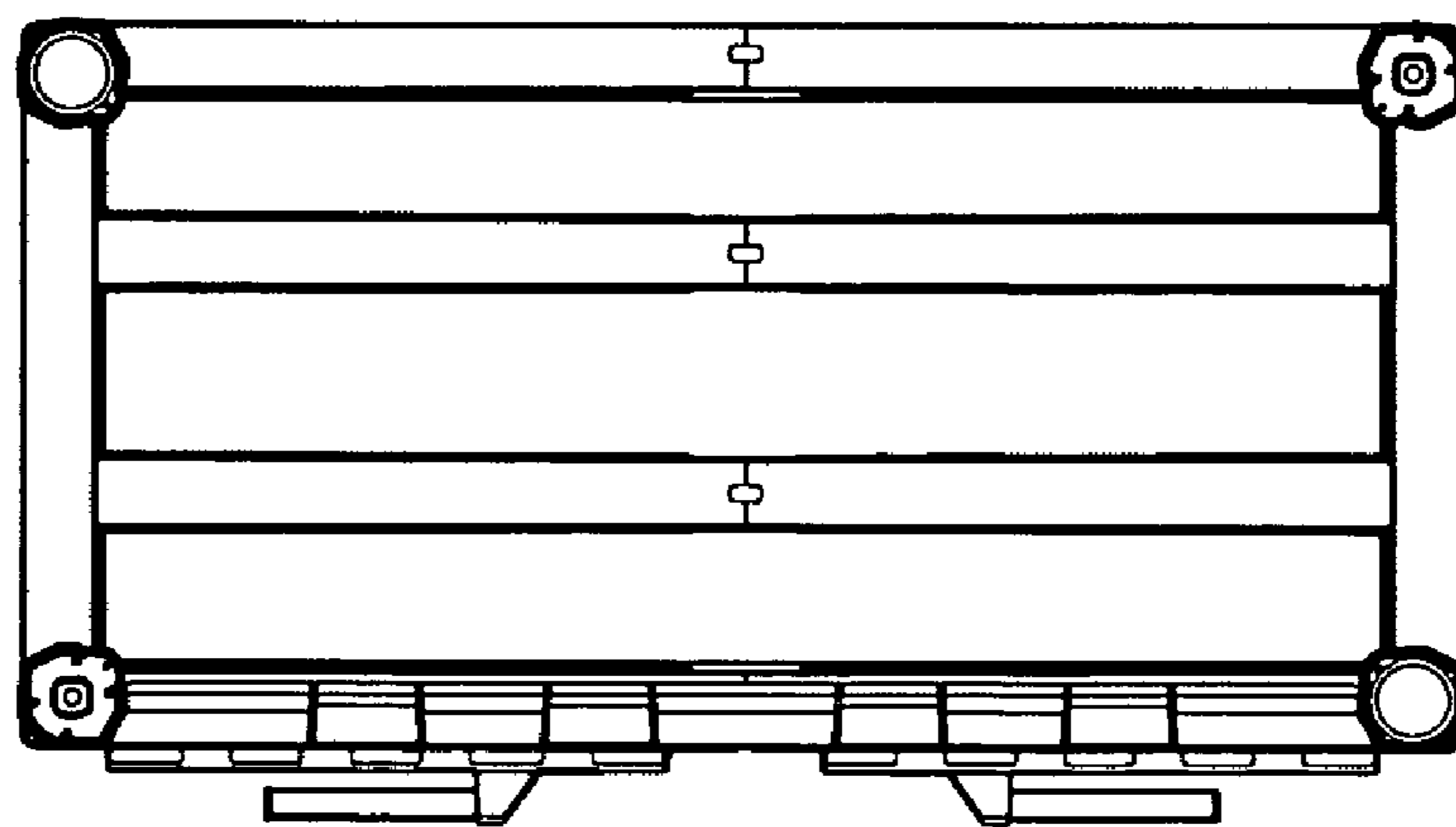


FIG. 6

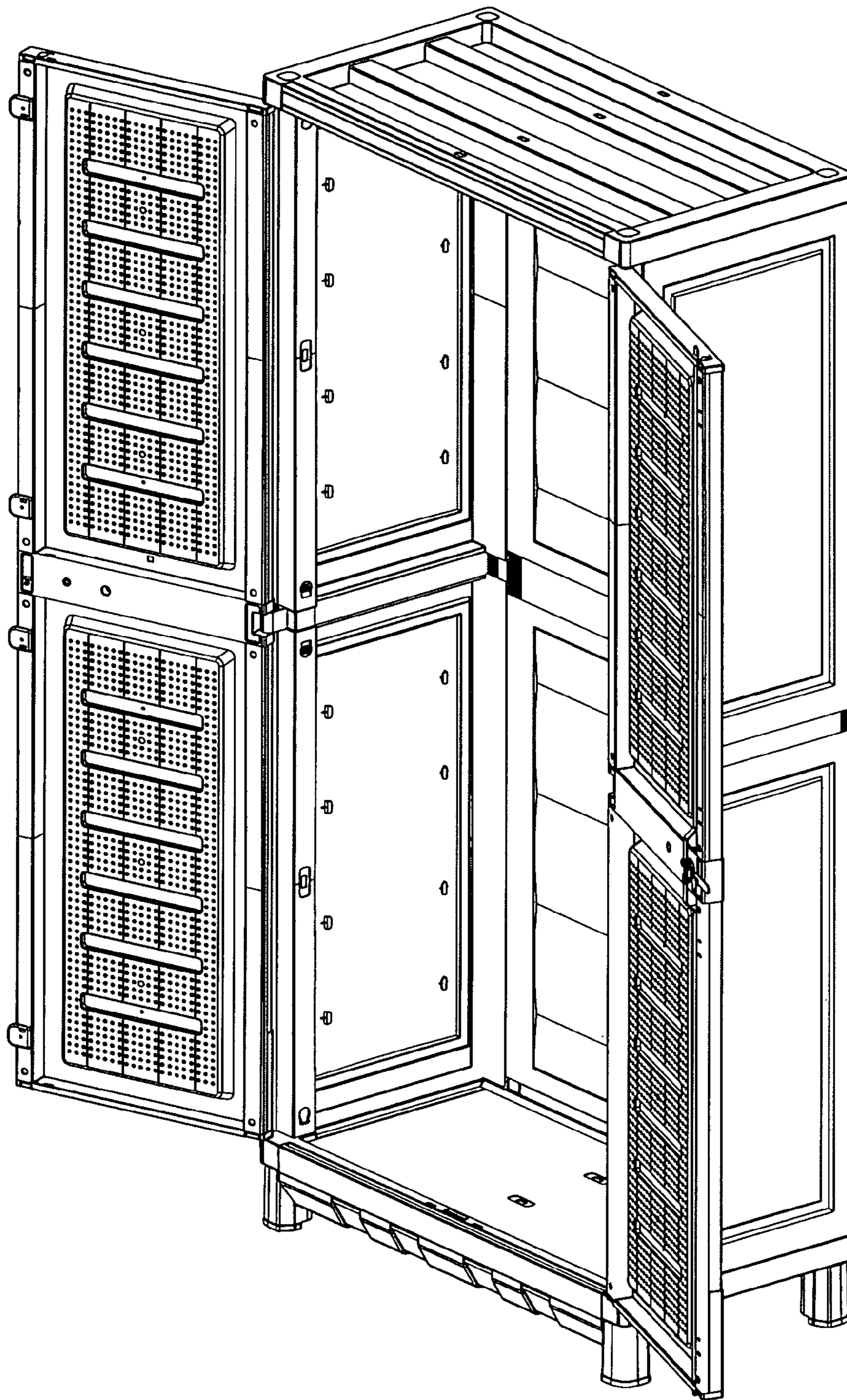


FIG. 7