



US00D609935S

(12) **United States Design Patent**
Sirotych

(10) **Patent No.:** **US D609,935 S**

(45) **Date of Patent:** **** Feb. 16, 2010**

(54) **DRAFTING TABLE**

(75) Inventor: **Roberto A. L. Sirotych**, Calgary (CA)

(73) Assignee: **Smart Technologies ULC** (CA)

(**) Term: **14 Years**

(21) Appl. No.: **29/328,743**

(22) Filed: **Dec. 1, 2008**

(51) **LOC (9) Cl.** **06-03**

(52) **U.S. Cl.** **D6/420; D6/419; D6/480**

(58) **Field of Classification Search** D6/480-489,
D6/495-499, 450, 451, 429-431, 419, 420,
D6/310; 108/150, 153.1, 155, 156, 161,
108/6; 248/188, 188.1, 188.8; 312/231,
312/233

See application file for complete search history.

(56) **References Cited**

U.S. PATENT DOCUMENTS

3,364,881	A *	1/1968	Kooi	108/10
4,372,631	A *	2/1983	Leon	312/231
D270,788	S *	10/1983	Umanoff et al.	D6/431
D286,831	S *	11/1986	Matyear	D6/419
D290,199	S *	6/1987	Hampshire	D6/431
D306,105	S *	2/1990	Newhouse	D6/420
D312,928	S *	12/1990	Scheffers	D6/429

* cited by examiner

Primary Examiner—Janice E Seeger

(74) *Attorney, Agent, or Firm*—Katten Muchin Rosenman LLP

(57) **CLAIM**

The ornamental design for a drafting table, as shown and described.

DESCRIPTION

FIG. 1 is a front perspective view of the drafting table showing my new design;

FIG. 2 is a rear perspective view of the drafting table of FIG. 1;

FIG. 3 is a bottom plan view of the drafting table of FIG. 1;

FIG. 4 is a rear elevational view of the drafting table of FIG. 1;

FIG. 5 is a side elevational view of the drafting table of FIG. 1, the opposite side elevational view being a mirror image;

FIG. 6 is a front elevational view of the drafting table of FIG. 1;

FIG. 7 is a top plan view of the drafting table of FIG. 1;

FIG. 8 is a front perspective view of another embodiment of the drafting table showing my new design;

FIG. 9 is a rear perspective view of the drafting table of FIG. 8;

FIG. 10 is a bottom plan view of the drafting table of FIG. 8;

FIG. 11 is a rear elevational view of the drafting table of FIG. 8;

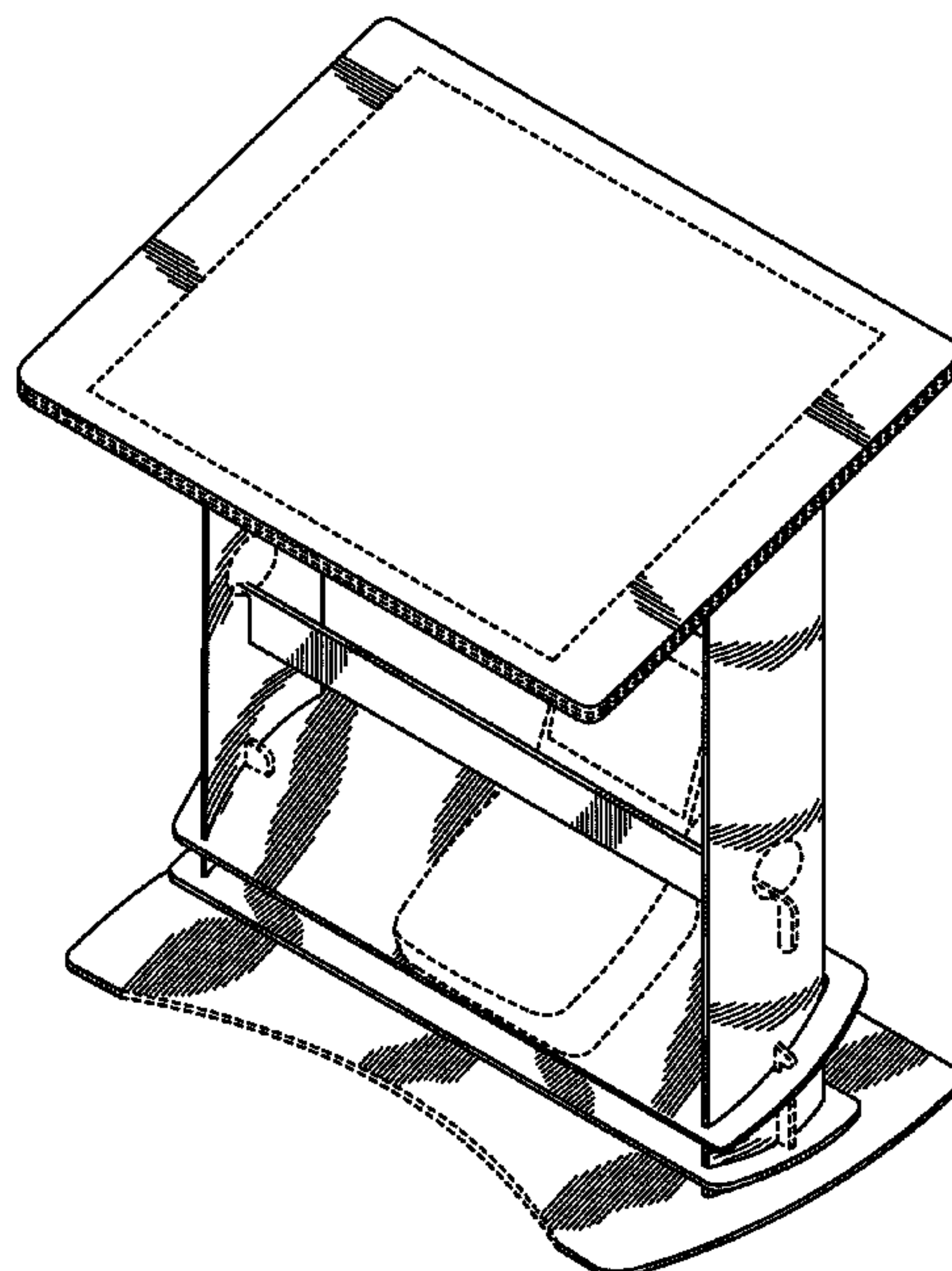
FIG. 12 is a side elevational view of the drafting table of FIG. 8, the opposite side elevational view being a mirror image;

FIG. 13 is a front elevational view of the drafting table of FIG. 8; and,

FIG. 14 is a top plan view of the drafting table of FIG. 1.

The broken lines are provided for illustrative purposes only and form no part of the claimed design.

1 Claim, 14 Drawing Sheets



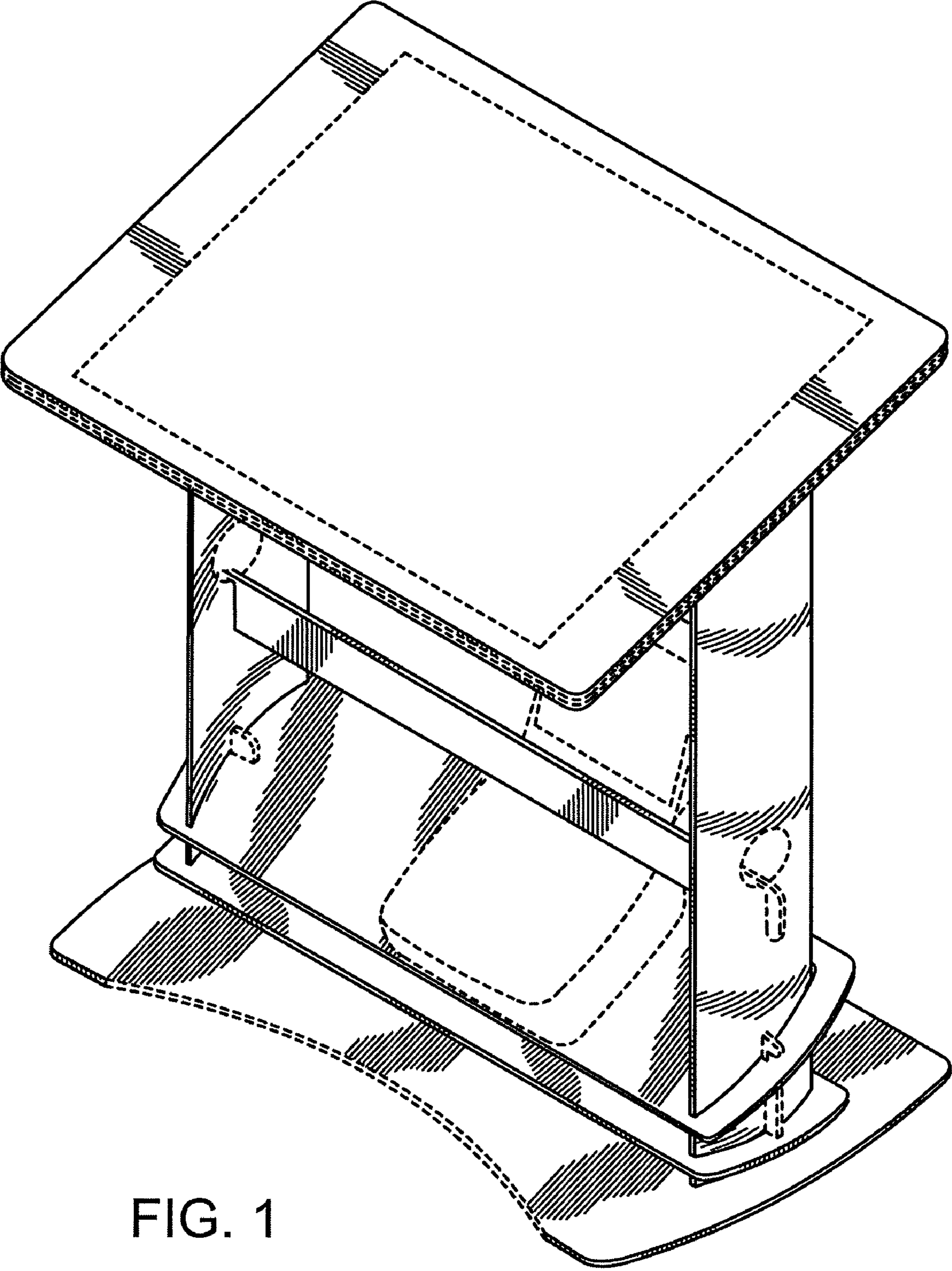


FIG. 1

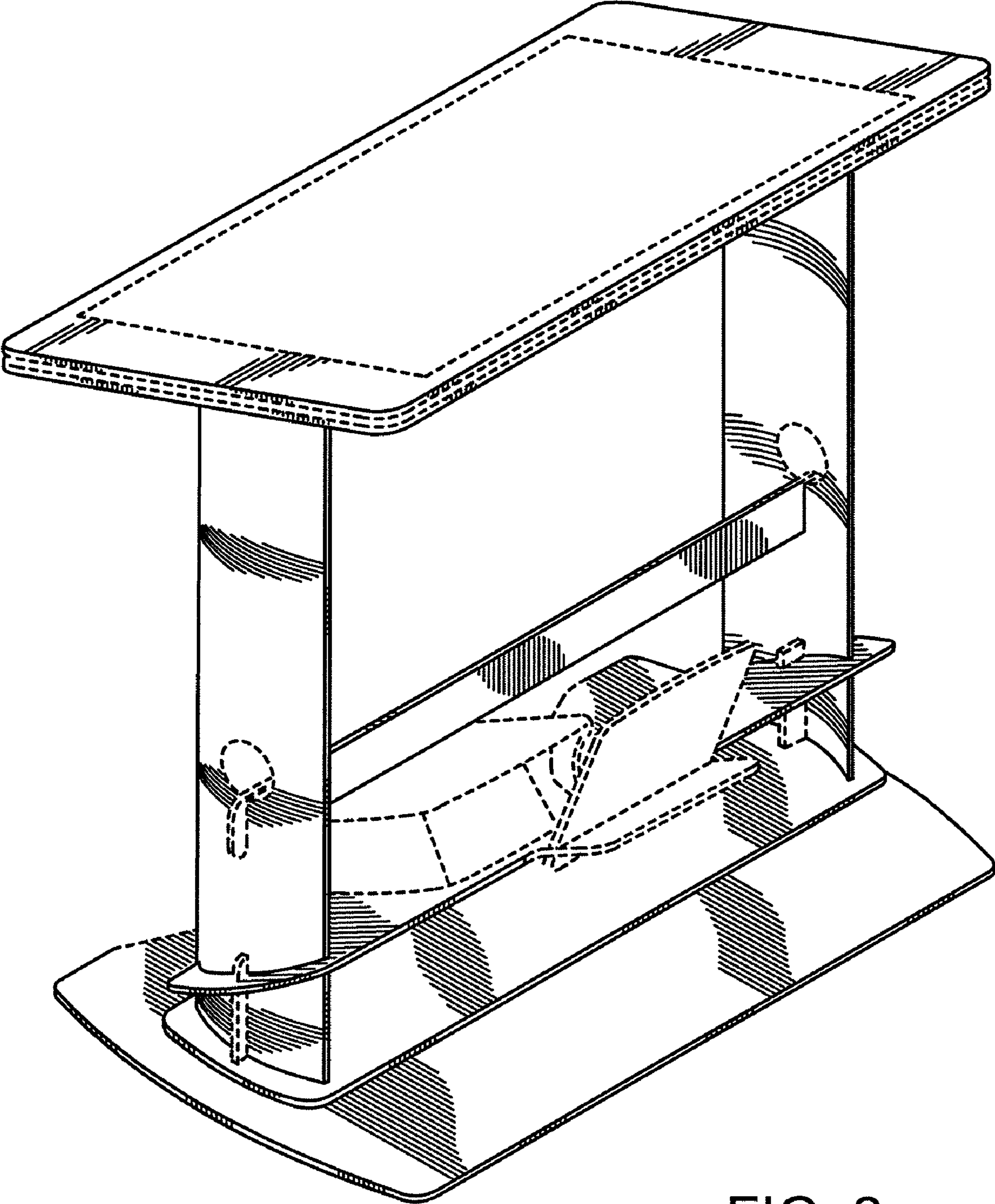


FIG. 2

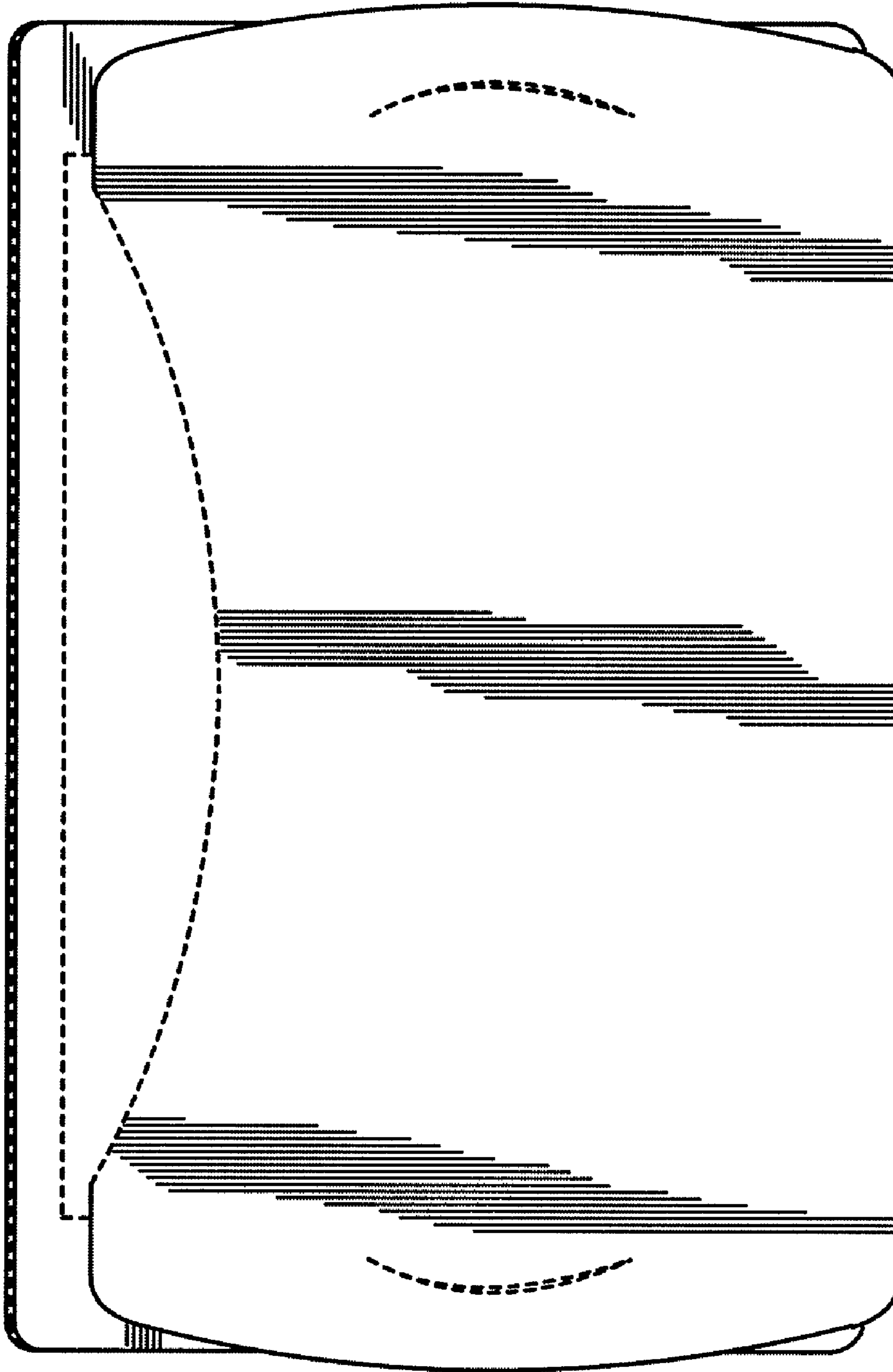


FIG. 3

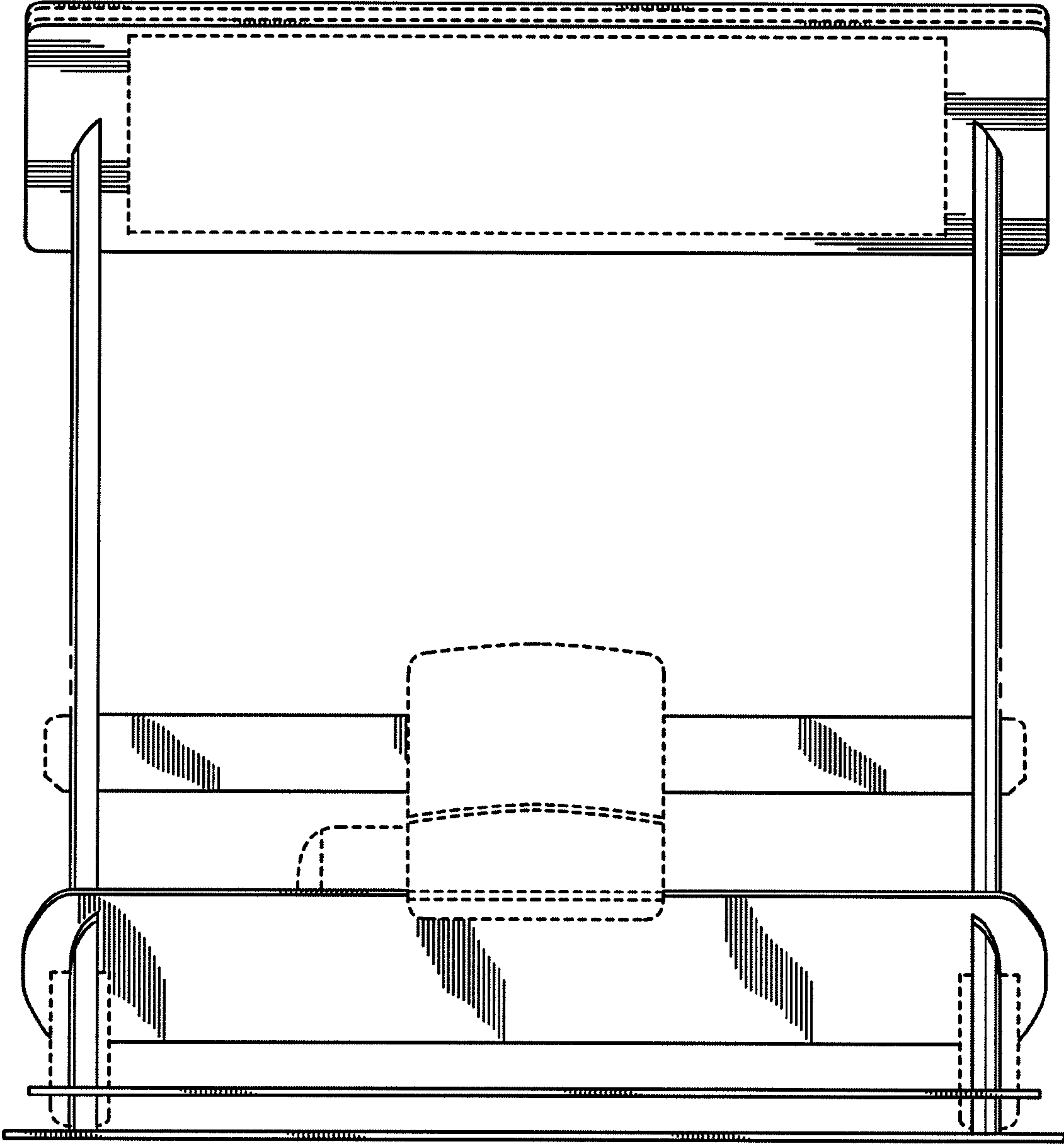


FIG. 4

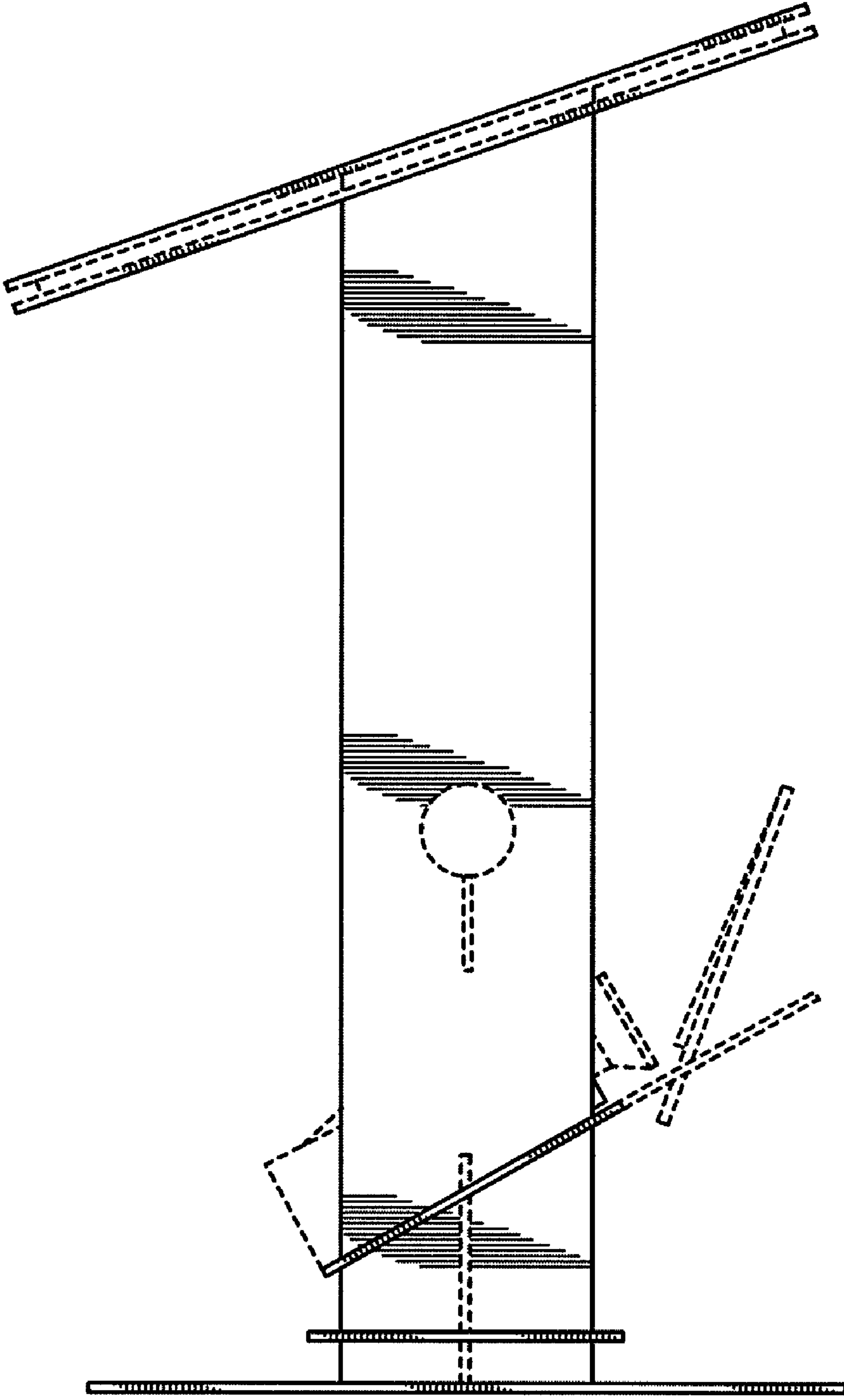


FIG. 5

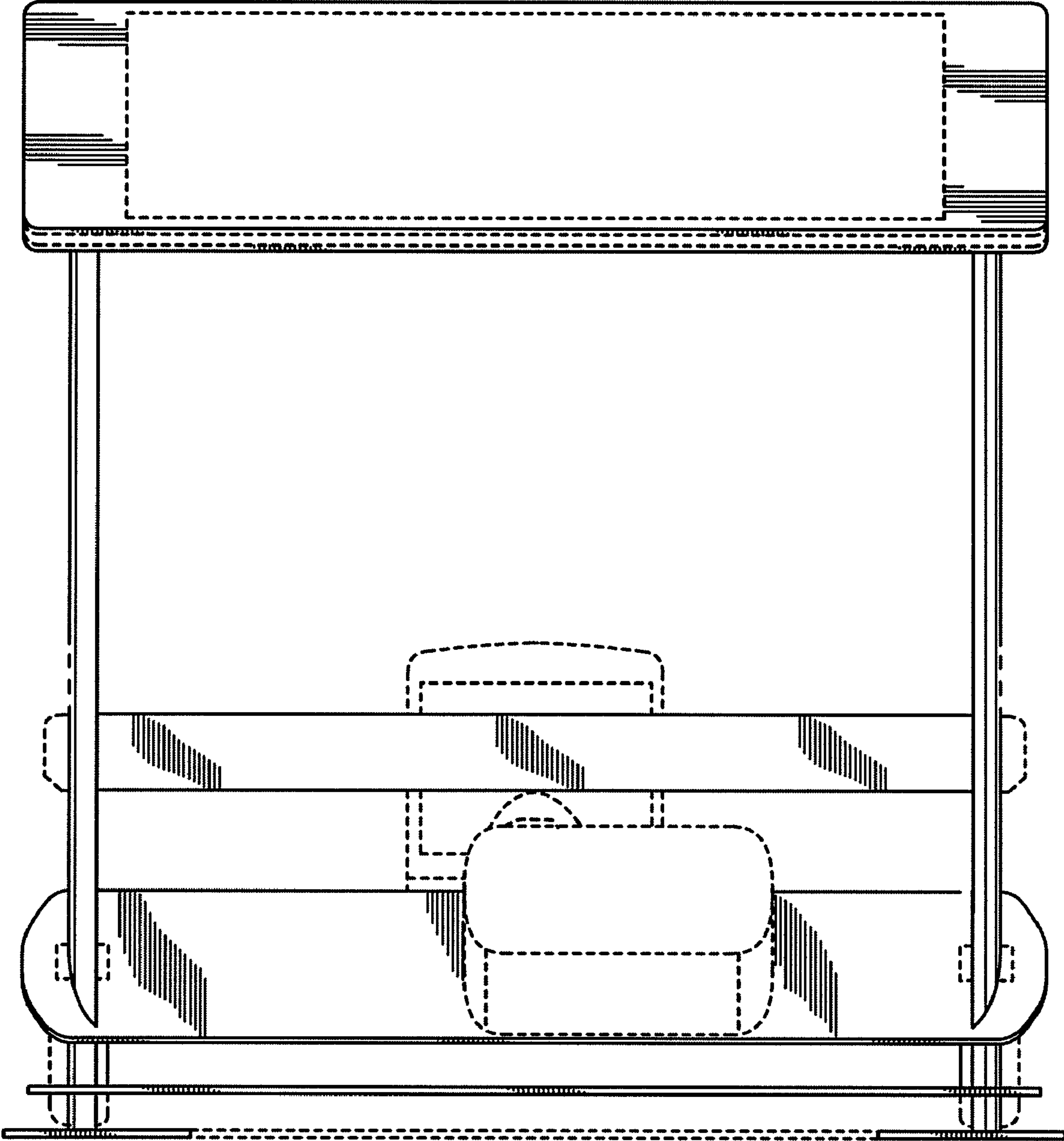


FIG. 6

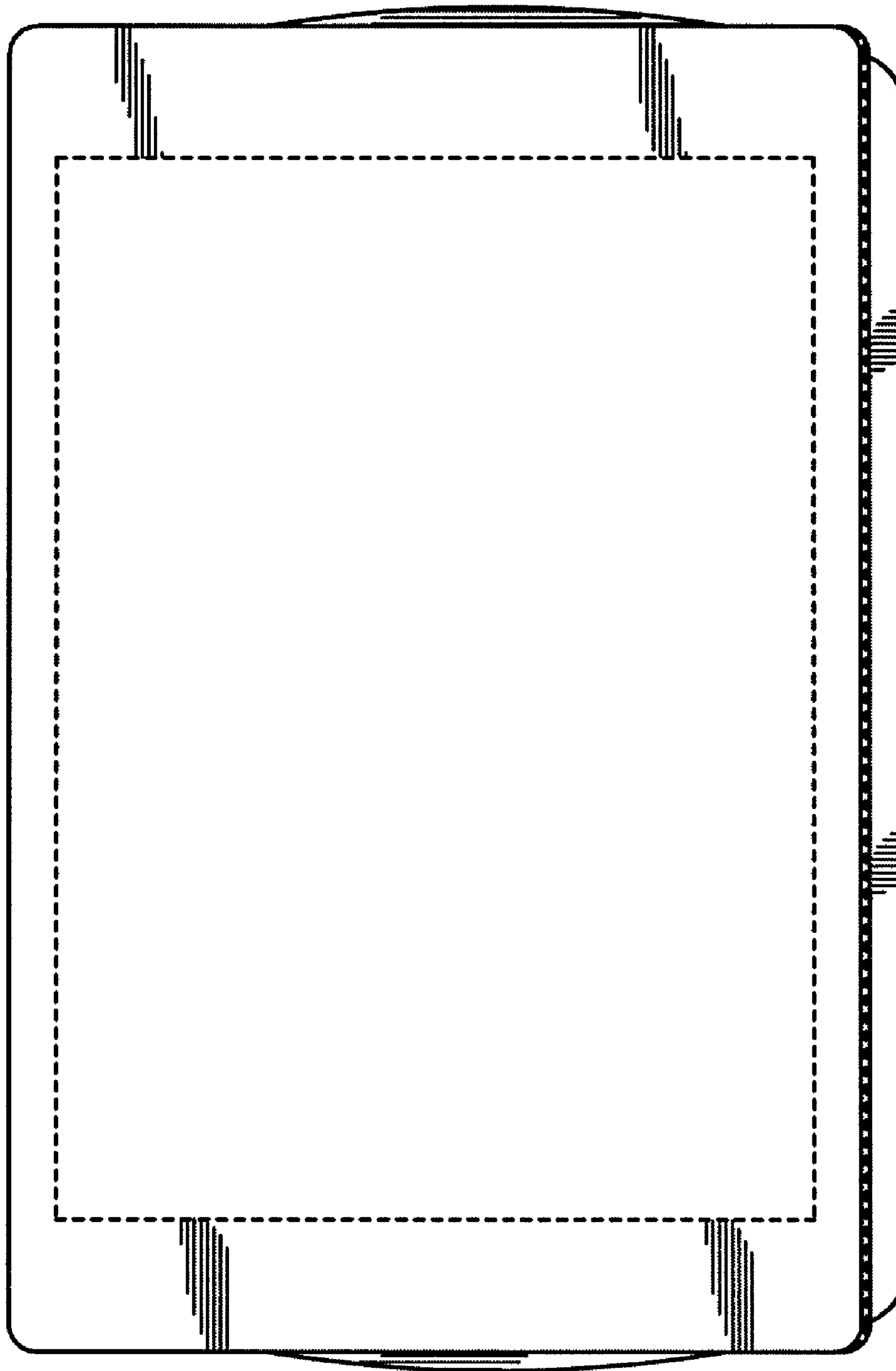


FIG. 7

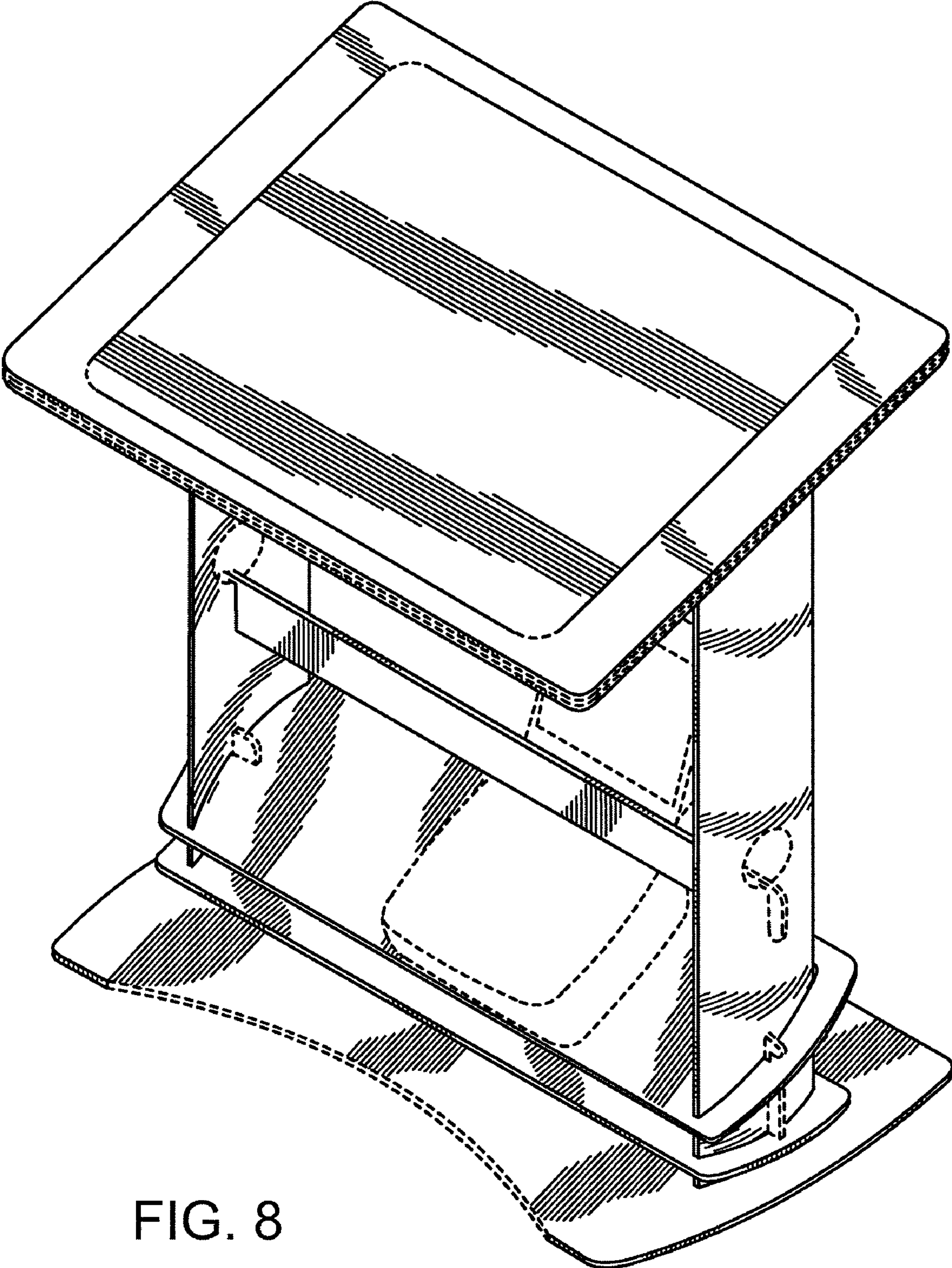


FIG. 8

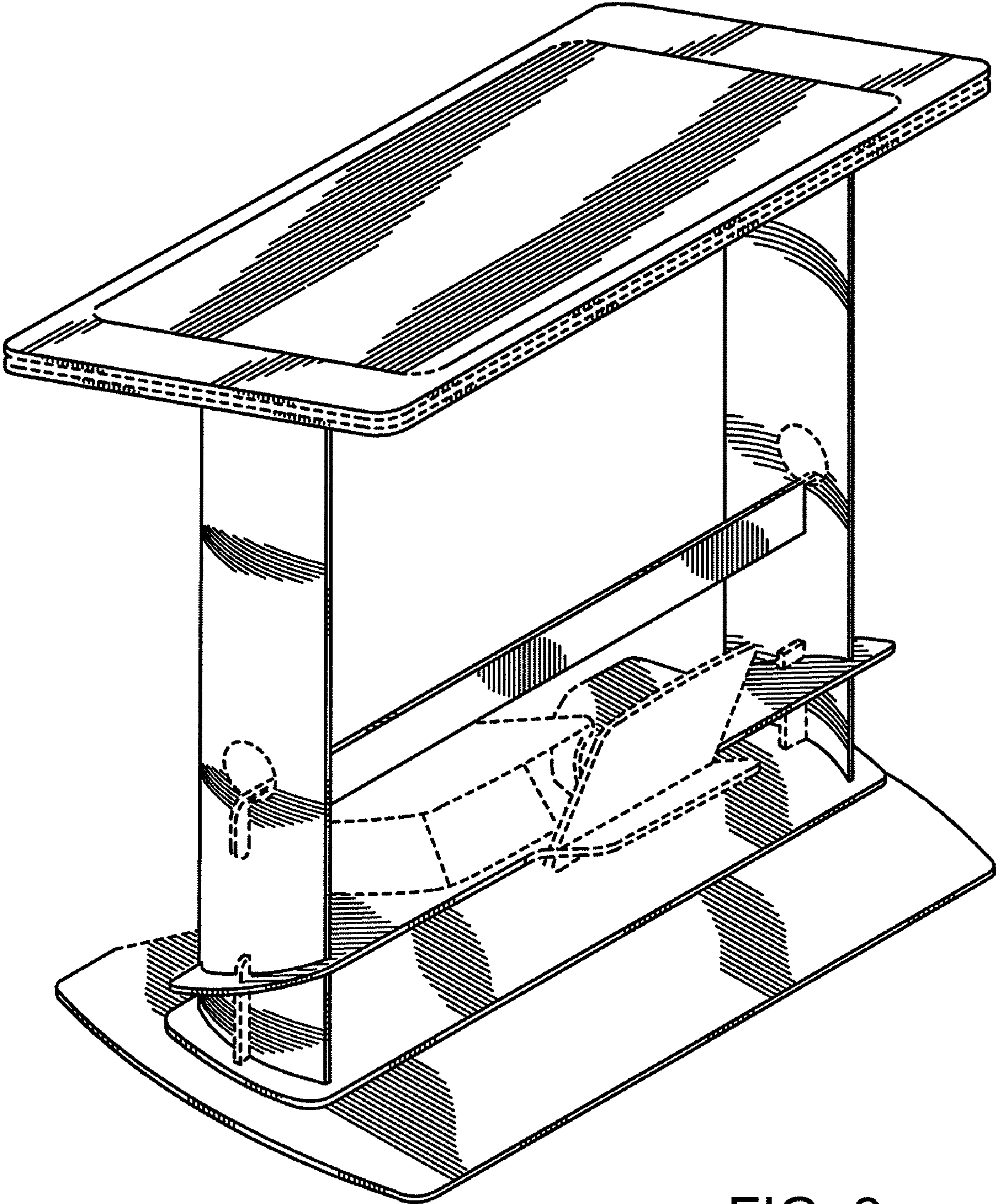


FIG. 9

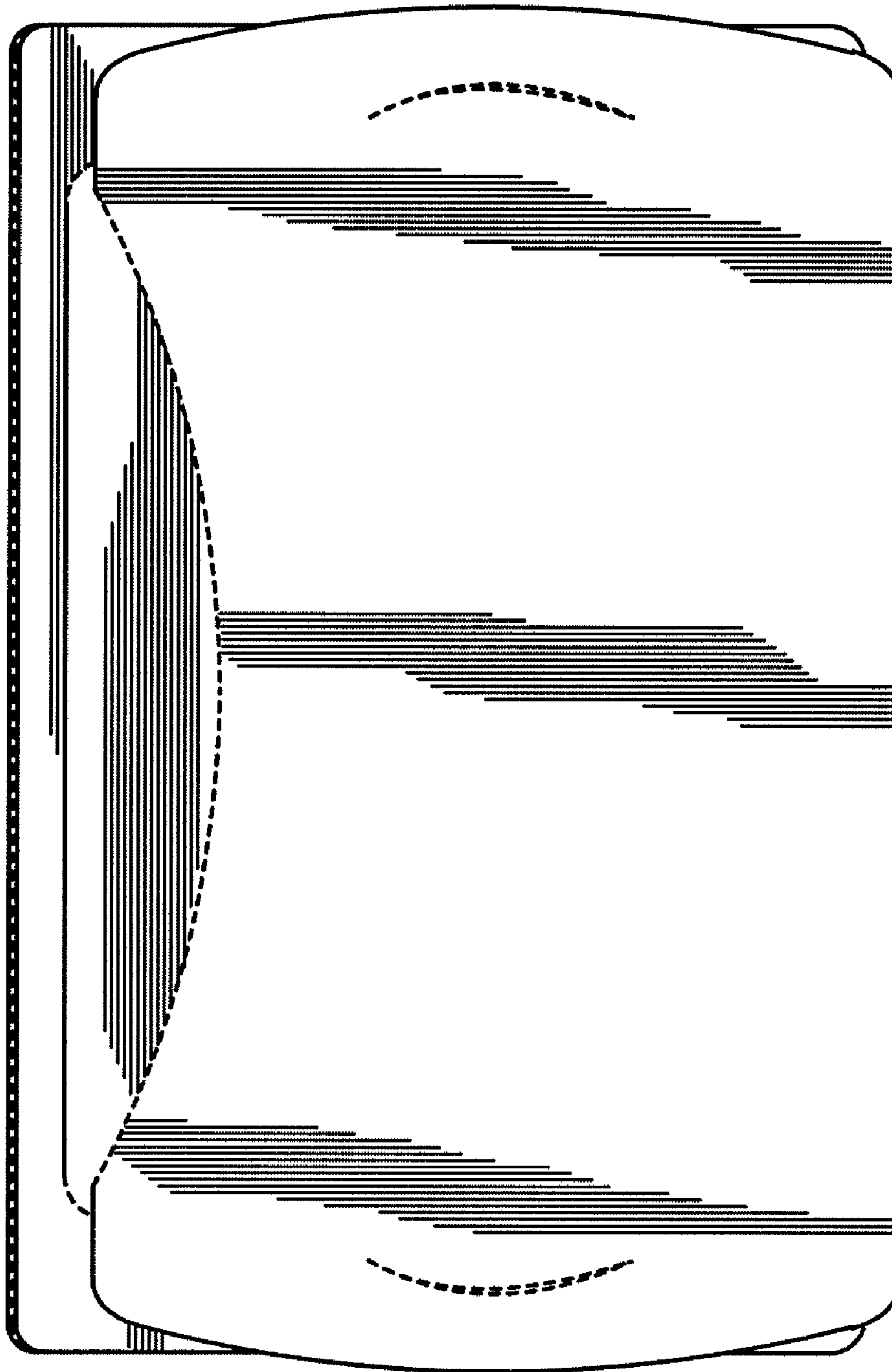


FIG. 10

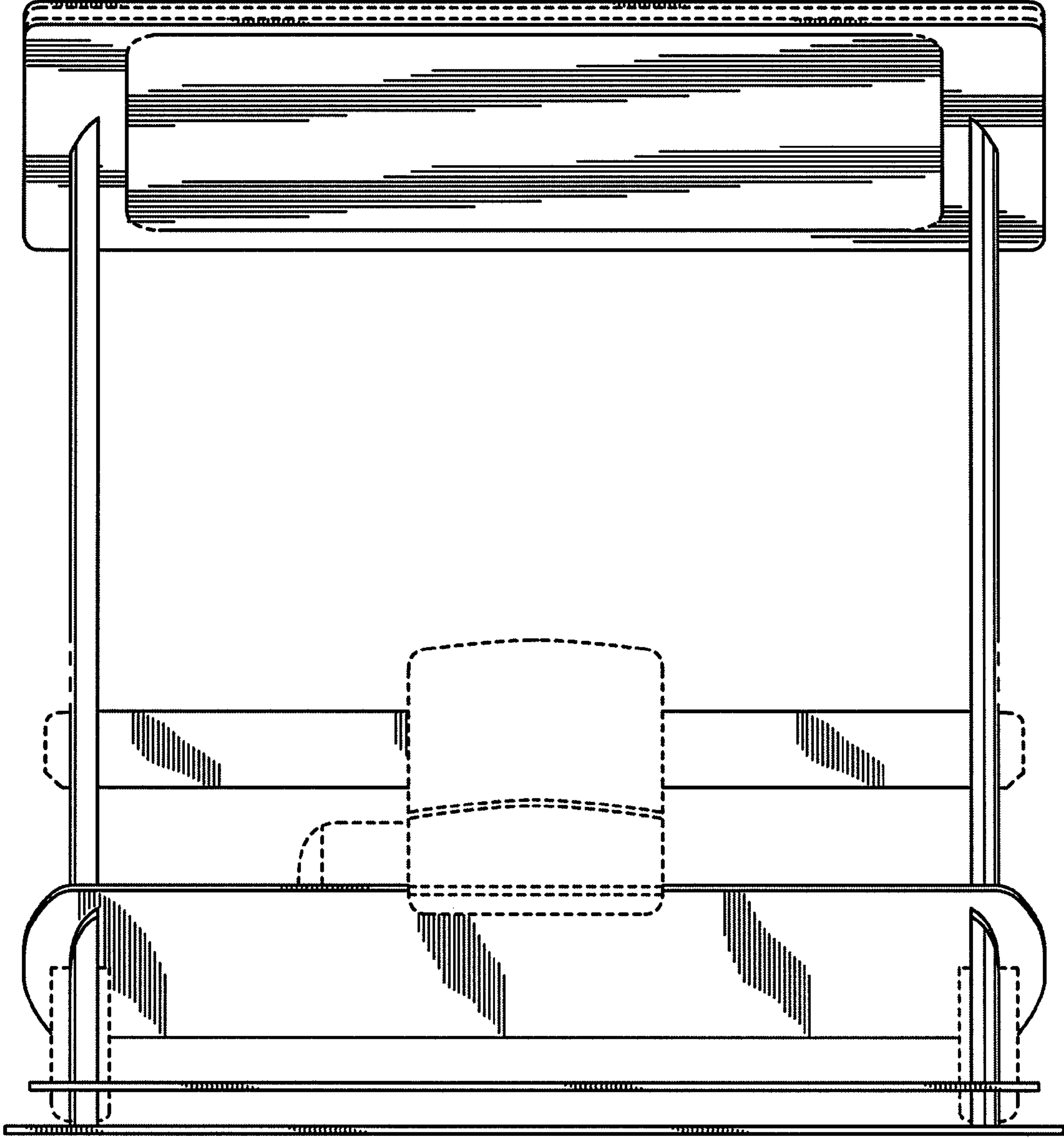


FIG. 11

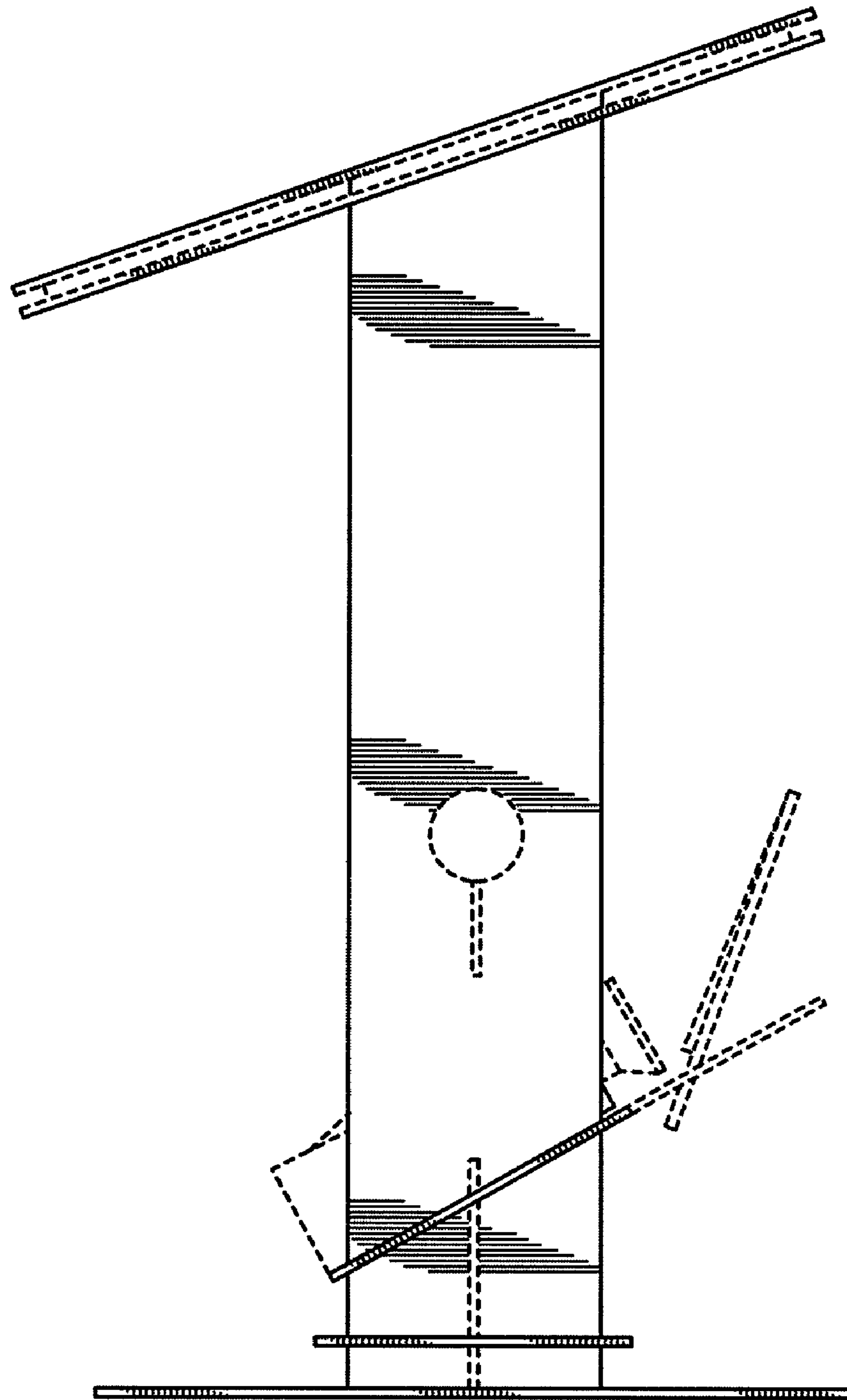


FIG. 12

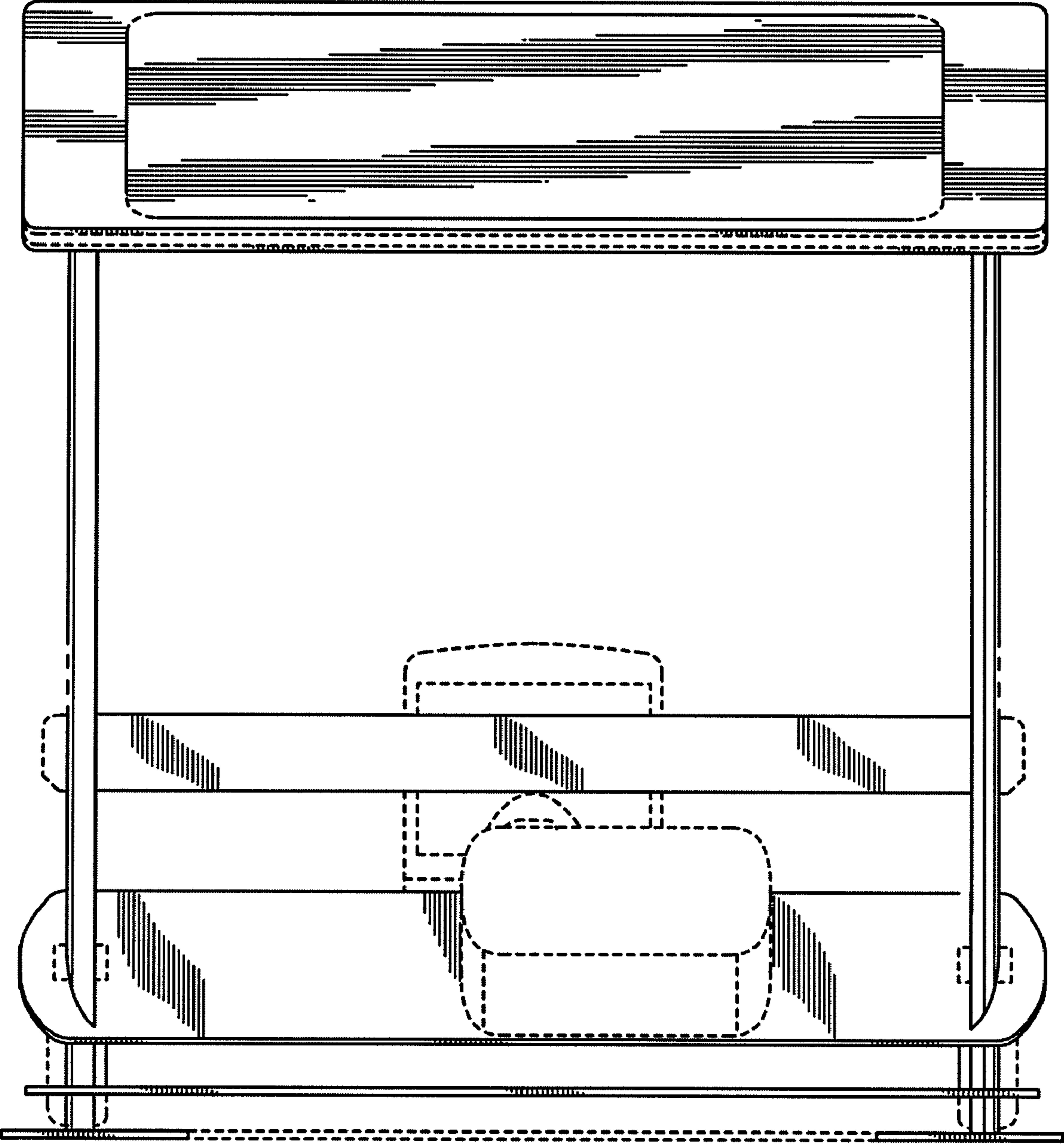


FIG. 13

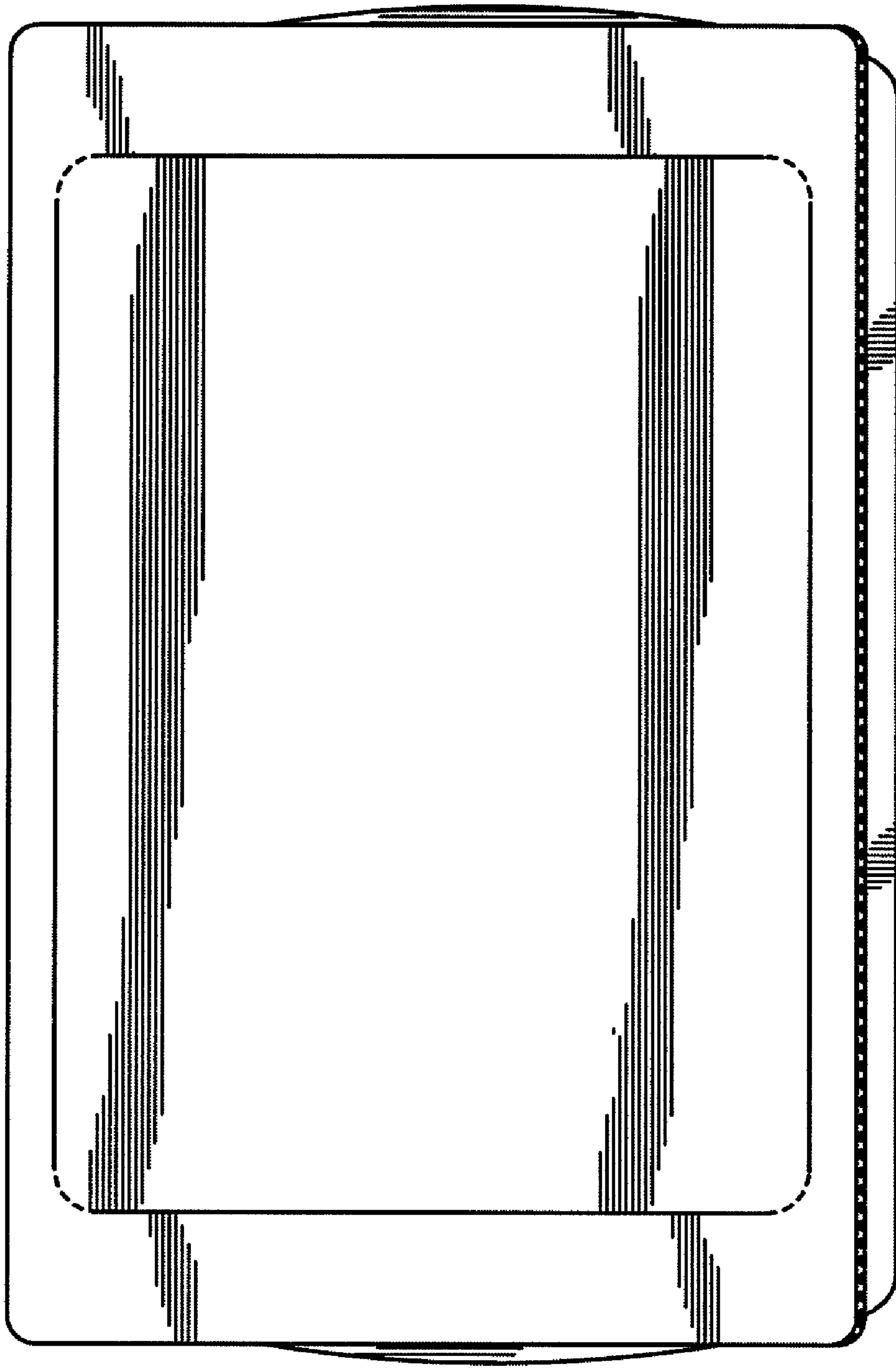


FIG. 14