



US00D609934S

(12) **United States Design Patent**
Riddford et al.

(10) **Patent No.:** **US D609,934 S**

(45) **Date of Patent:** **** Feb. 16, 2010**

(54) **COT WITH STAND**

(75) Inventors: **Martin P. Riddford**, London (GB);
Andrew J. Clift, London (GB); **James W. Reeves**, Bershire (GB)

(73) Assignee: **Bednest Limited**, Dorset (GB)

(**) Term: **14 Years**

(21) Appl. No.: **29/312,998**

(22) Filed: **Nov. 28, 2008**

(30) **Foreign Application Priority Data**

May 30, 2008 (GB) 4007765

(51) **LOC (9) Cl.** **06-02**

(52) **U.S. Cl.** **D6/390; D6/391**

(58) **Field of Classification Search** D6/390,
D6/391, 331, 333, 385; 5/93.1, 97, 98.1,
5/99.1, 93.2, 101

See application file for complete search history.

(56) **References Cited**

U.S. PATENT DOCUMENTS

582,215 A * 5/1897 Martin 5/98.1

D118,113 S * 12/1939 Feldman D23/278

2,434,800 A * 1/1948 Hollander 248/150

D534,367 S * 1/2007 Peltonen D6/390

* cited by examiner

Primary Examiner—Janice E Seeger

(74) *Attorney, Agent, or Firm*—Hudak, Shunk & Farine Co.,
LPA

(57) **CLAIM**

We claim the ornamental design for a cot with stand, as shown and described.

DESCRIPTION

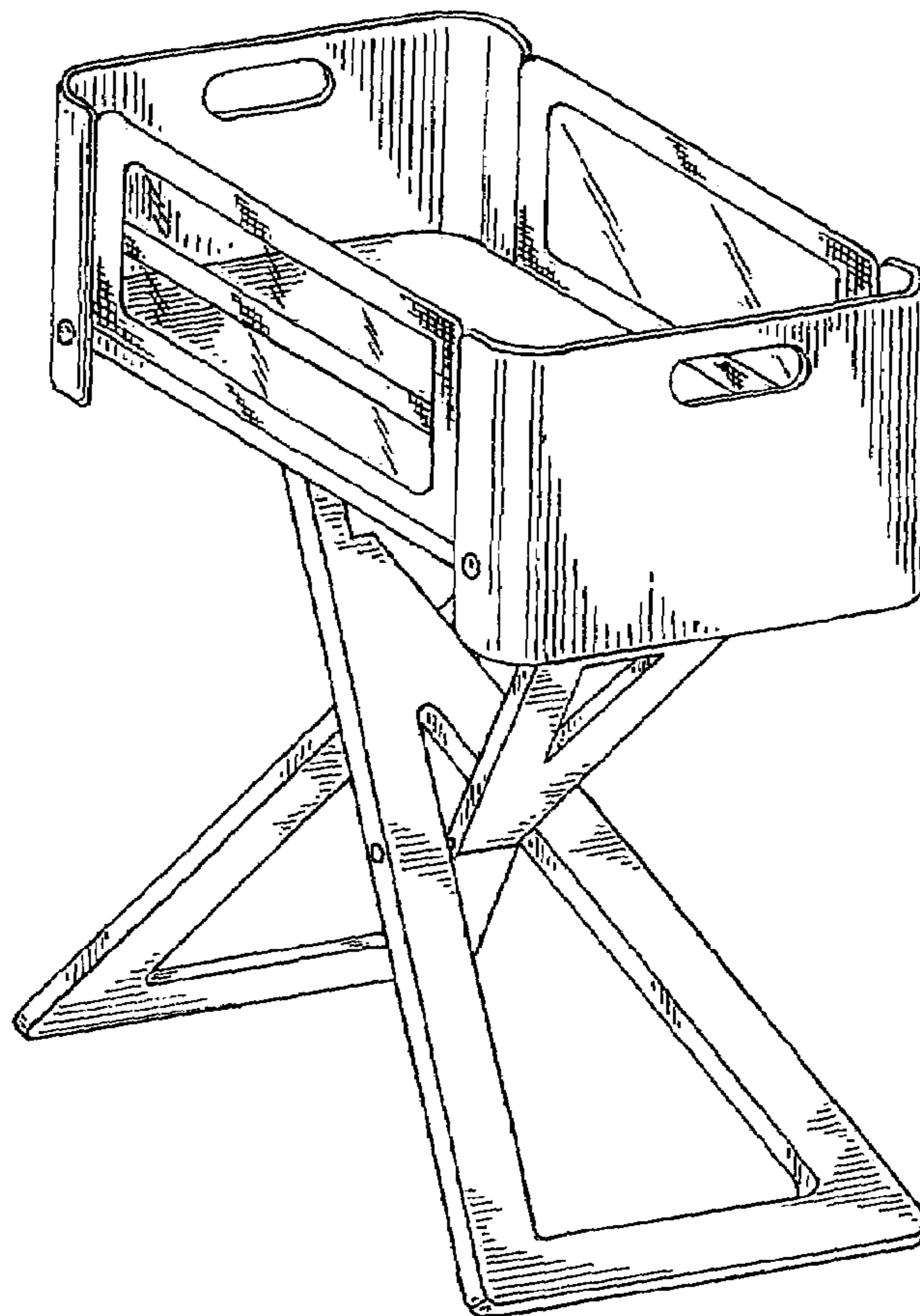
FIG. 1 is a perspective view of a new design for a cot with stand;

FIG. 2 is an end elevational view, the opposite end view being identical thereto; and,

FIG. 3 is a side elevational view.

The side of the cot not shown forms no part of the claimed design.

1 Claim, 1 Drawing Sheet



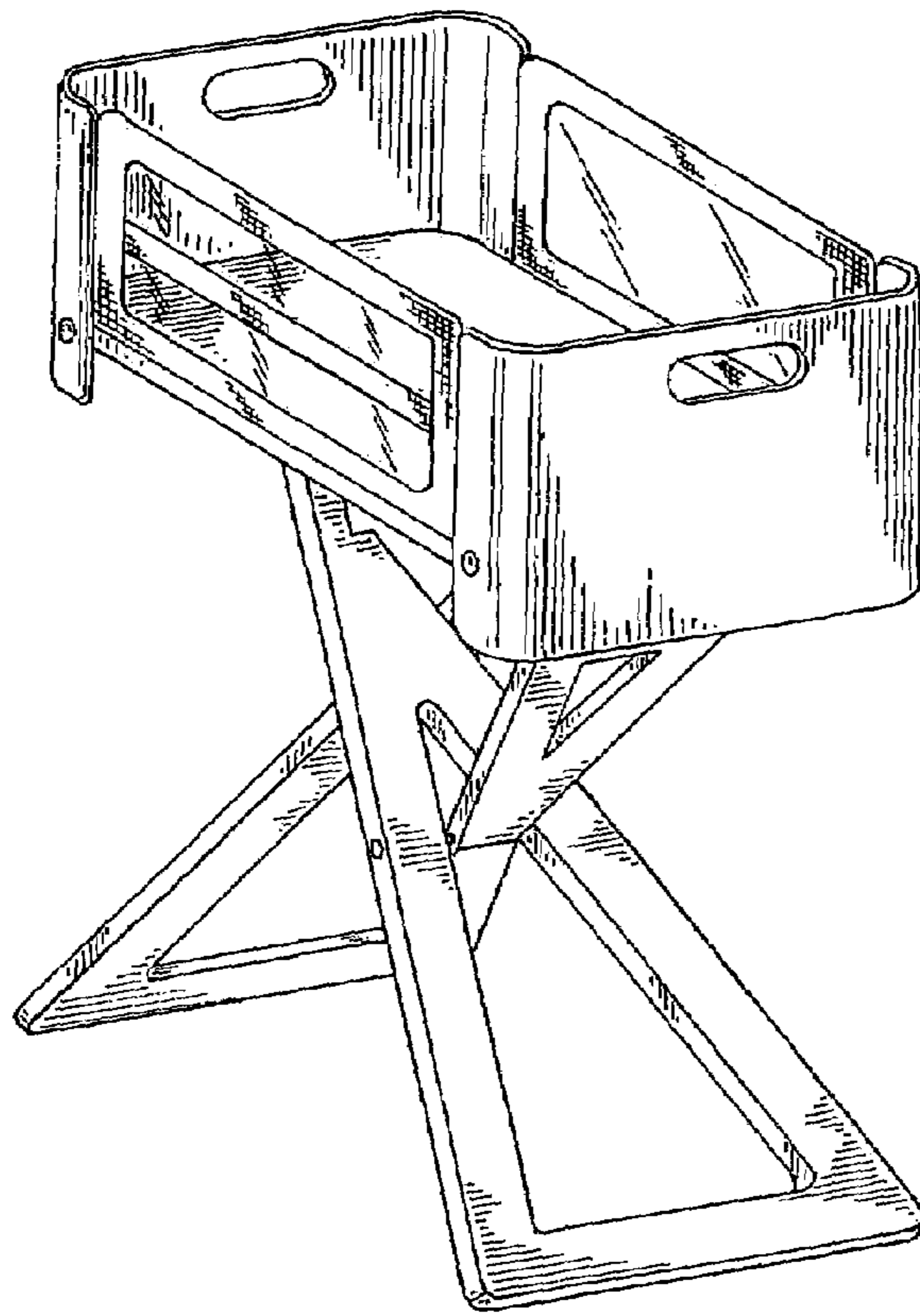


FIG. - 1

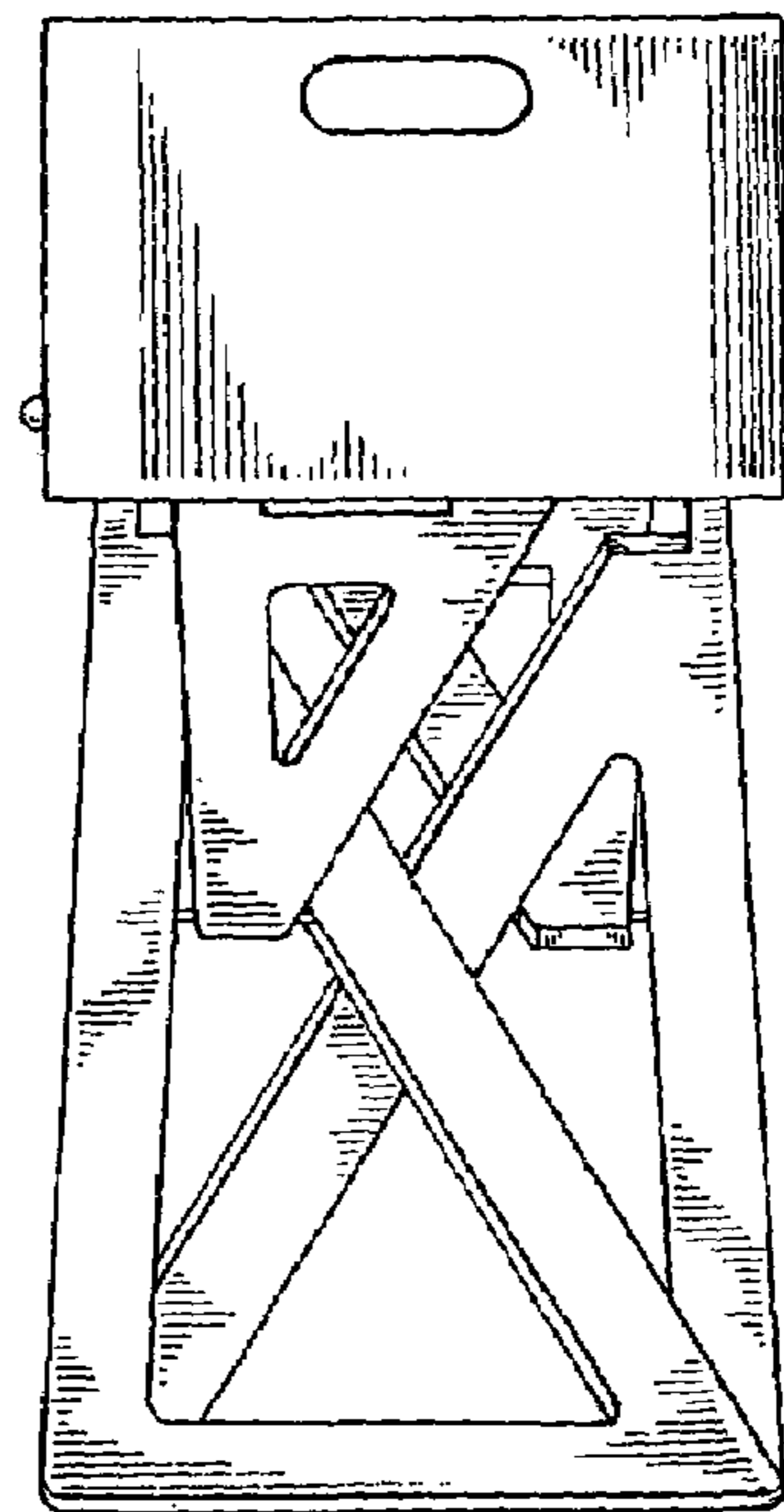


FIG. - 2

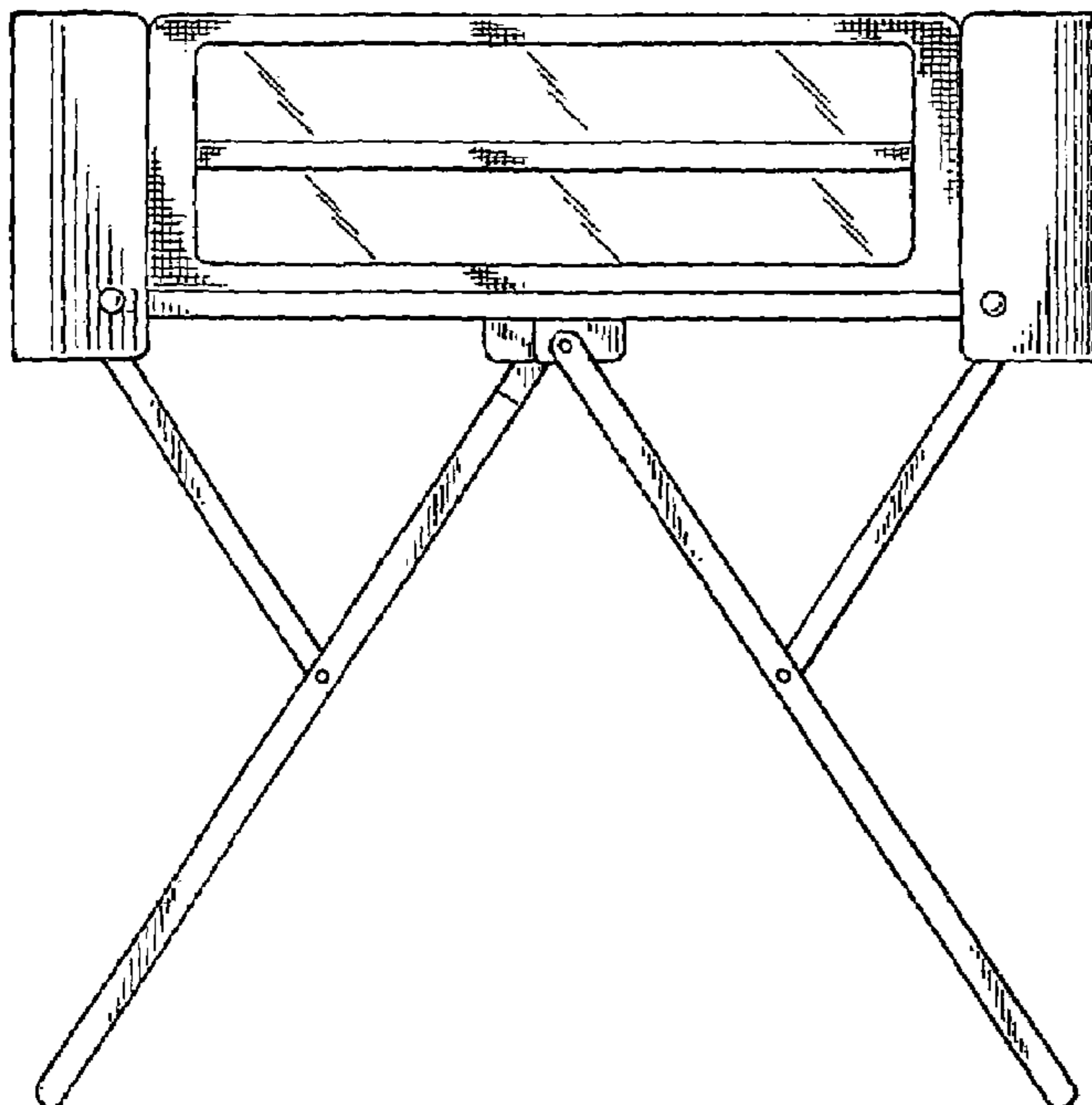


FIG. - 3