



US00D609933S

(12) **United States Design Patent**
Skalka

(10) **Patent No.:** **US D609,933 S**

(45) **Date of Patent:** **** *Feb. 16, 2010**

(54) **BENCH**

(75) Inventor: **Gerald P. Skalka**, Potomac, MD (US)

(73) Assignee: **Victor Stanley, Inc.**, Dunkirk, MD (US)

(*) Notice: This patent is subject to a terminal disclaimer.

(**) Term: **14 Years**

(21) Appl. No.: **29/311,406**

(22) Filed: **Mar. 6, 2009**

(51) **LOC (9) Cl.** **06-01**

(52) **U.S. Cl.** **D6/381**

(58) **Field of Classification Search** D6/334,
D6/349, 355, 364, 370, 374, 378, 381, 382,
D6/383, 491, 495, 500-503; 297/68, 232,
297/233, 353, 445.1, 448.1, 448.2, DIG. 7;
5/12.1, 12.2

See application file for complete search history.

(56) **References Cited**

U.S. PATENT DOCUMENTS

| | | | |
|--------------|---------|---------|--------|
| D376,271 S | 12/1996 | Skalka | |
| D376,937 S | 12/1996 | Skalka | |
| D383,615 S | 9/1997 | Skalka | |
| D384,512 S | 10/1997 | Skalka | |
| D386,012 S | 11/1997 | Skalka | |
| D396,358 S * | 7/1998 | Geier | D6/349 |
| D503,552 S * | 4/2005 | Messier | D6/349 |
| D523,263 S | 6/2006 | Skalka | |
| D528,831 S | 9/2006 | Rizzi | |
| D530,535 S | 10/2006 | Skalka | |
| D532,620 S | 11/2006 | Skalka | |
| D532,630 S * | 11/2006 | Rizzi | D6/500 |

| | | | |
|--------------|---------|--------|--------|
| D562,035 S * | 2/2008 | Pappas | D6/495 |
| D578,783 S * | 10/2008 | Skalka | D6/355 |
| D579,227 S | 10/2008 | Skalka | |
| D579,685 S | 11/2008 | Skalka | |

(Continued)

Primary Examiner—Sandra Snapp

(74) *Attorney, Agent, or Firm*—Jacobson Holman, PLLC

(57) **CLAIM**

The ornamental design for a bench, as shown and described.

DESCRIPTION

FIG. 1 is an isometric view of a first embodiment of a bench showing my new design.

FIG. 2 is a right side elevational view of the bench of FIG. 1, the left side elevational view being a mirror image thereof.

FIG. 3 is a top plan view of the bench of FIG. 1.

FIG. 4 is a front elevational view of the bench of FIG. 1, the rear elevational view being a mirror image thereof.

FIG. 5 is a bottom plan view of the bench of FIG. 1.

FIG. 6 is an isometric view of a second embodiment of a bench showing my new design.

FIG. 7 is a right side elevational view of the bench of FIG. 6, the left side elevational view being a mirror image thereof.

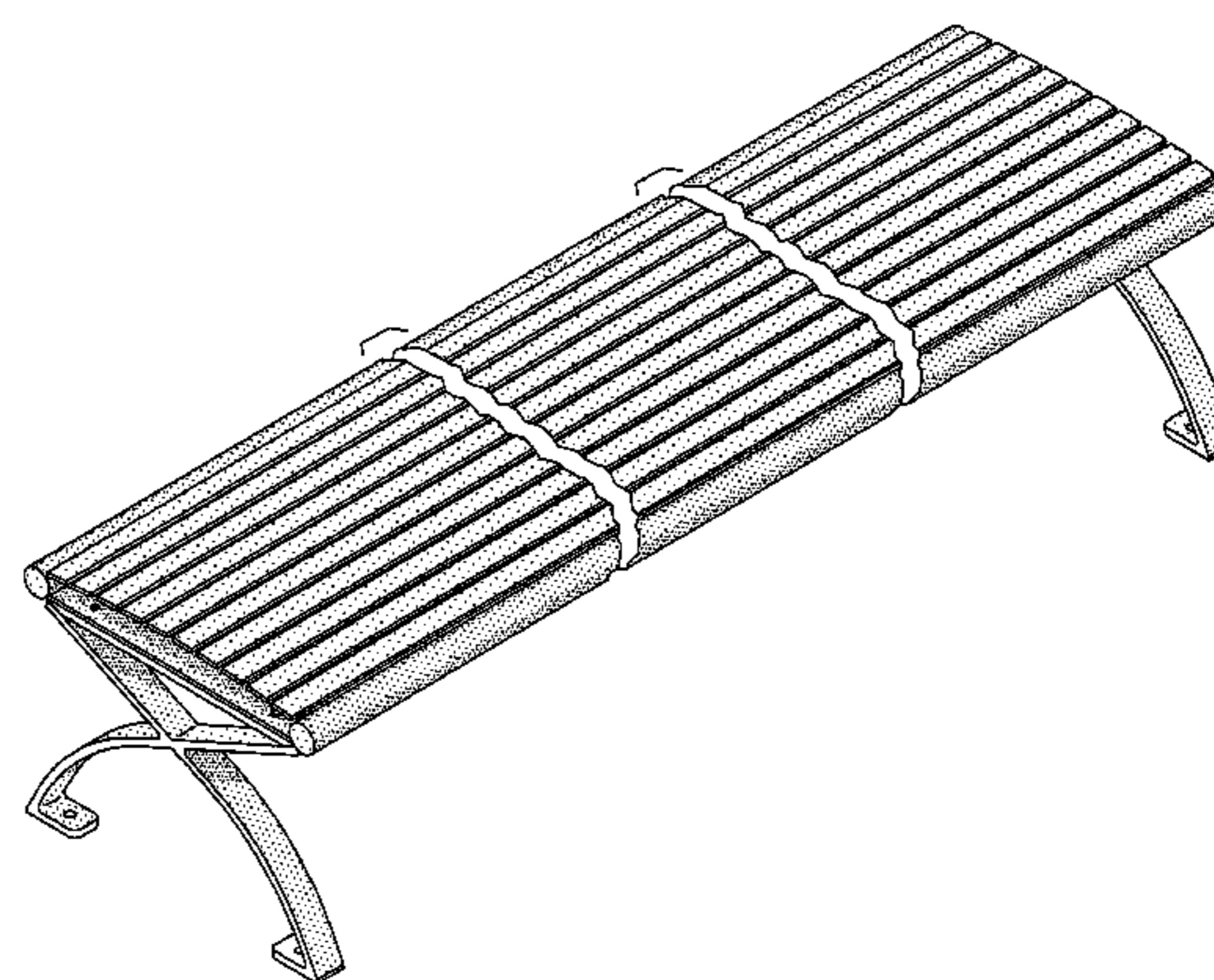
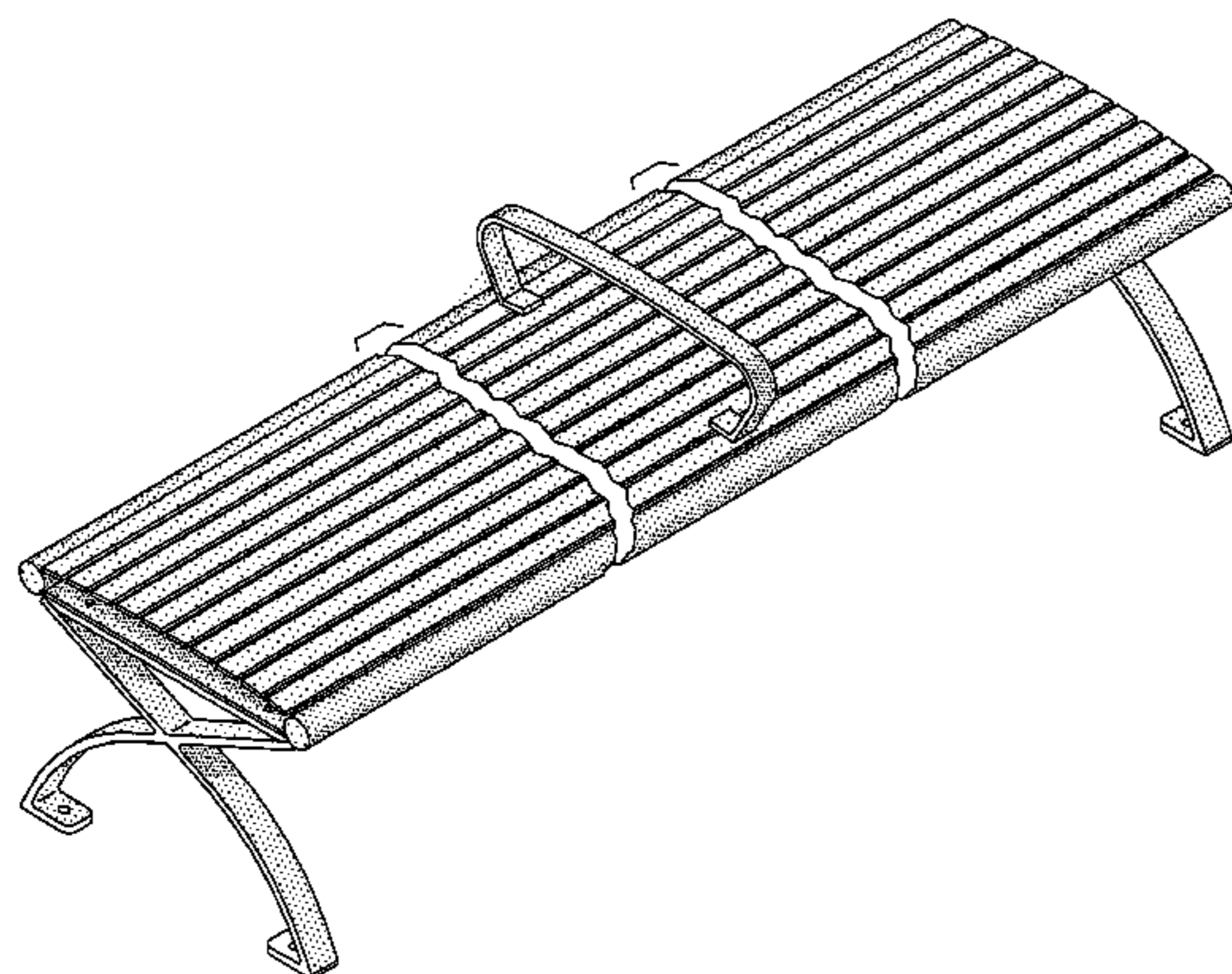
FIG. 8 is a top plan view of the bench of FIG. 6.

FIG. 9 is a front elevational view of the bench of FIG. 6, the rear elevational view being a mirror image thereof; and,

FIG. 10 is a bottom plan view of the bench of FIG. 6.

The bench is shown broken-away transversely in the various views to indicate that a specific length forms no part of the claimed design. no part of the claimed design.

1 Claim, 4 Drawing Sheets



US D609,933 S

Page 2

U.S. PATENT DOCUMENTS

| | | | | | | | | | | | |
|------------|---|---------|-----------|-------|--------|------------|---|--------|--------|-------|--------|
| D581,174 S | * | 11/2008 | Beckerman | | D6/346 | D586,144 S | * | 2/2009 | Skalka | | D6/381 |
| D581,188 S | * | 11/2008 | Skalka | | D6/480 | D590,610 S | * | 4/2009 | Pappas | | D6/355 |
| D585,220 S | | 1/2009 | Skalka | | | | | | | | |

* cited by examiner

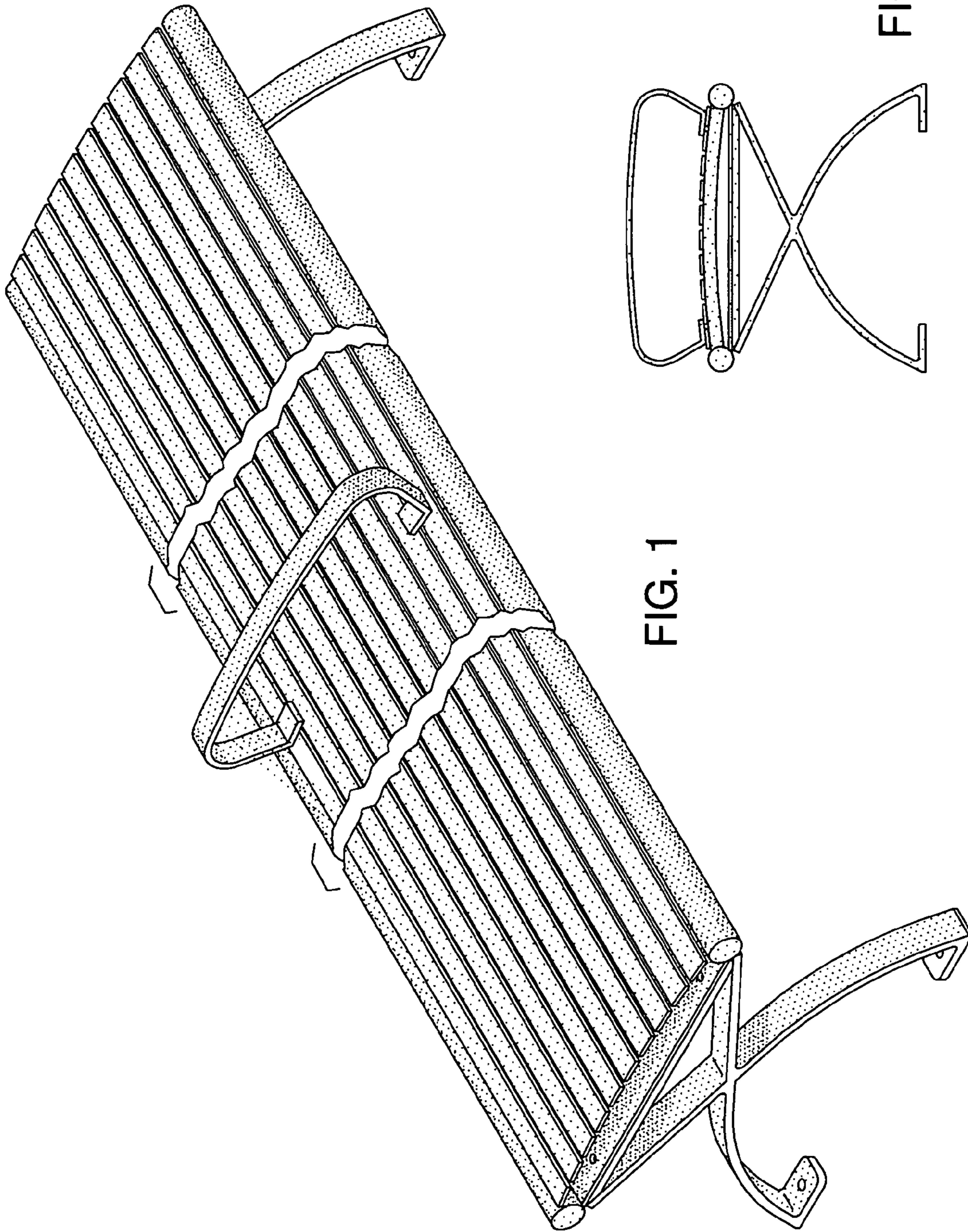


FIG. 1

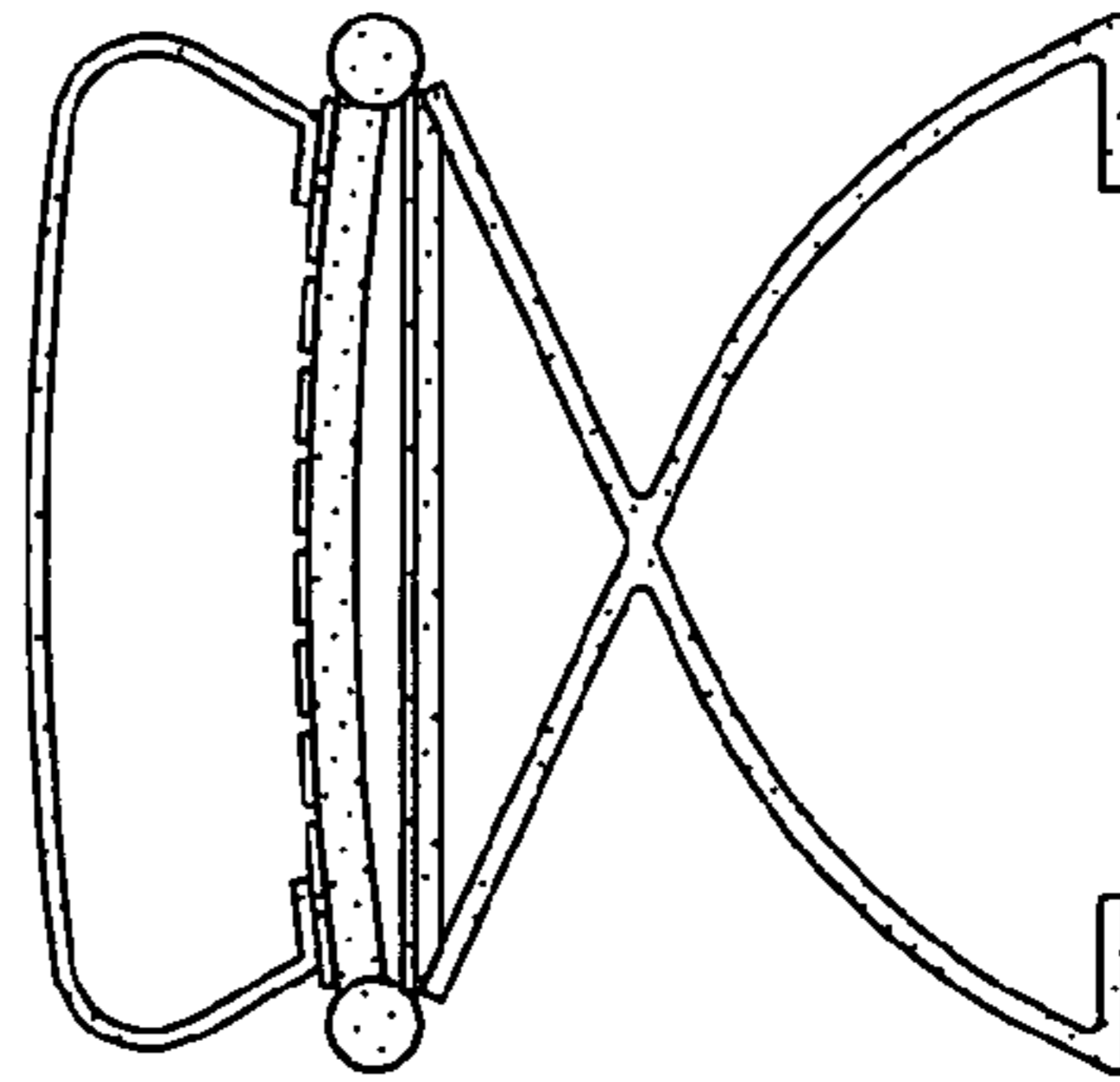


FIG. 2

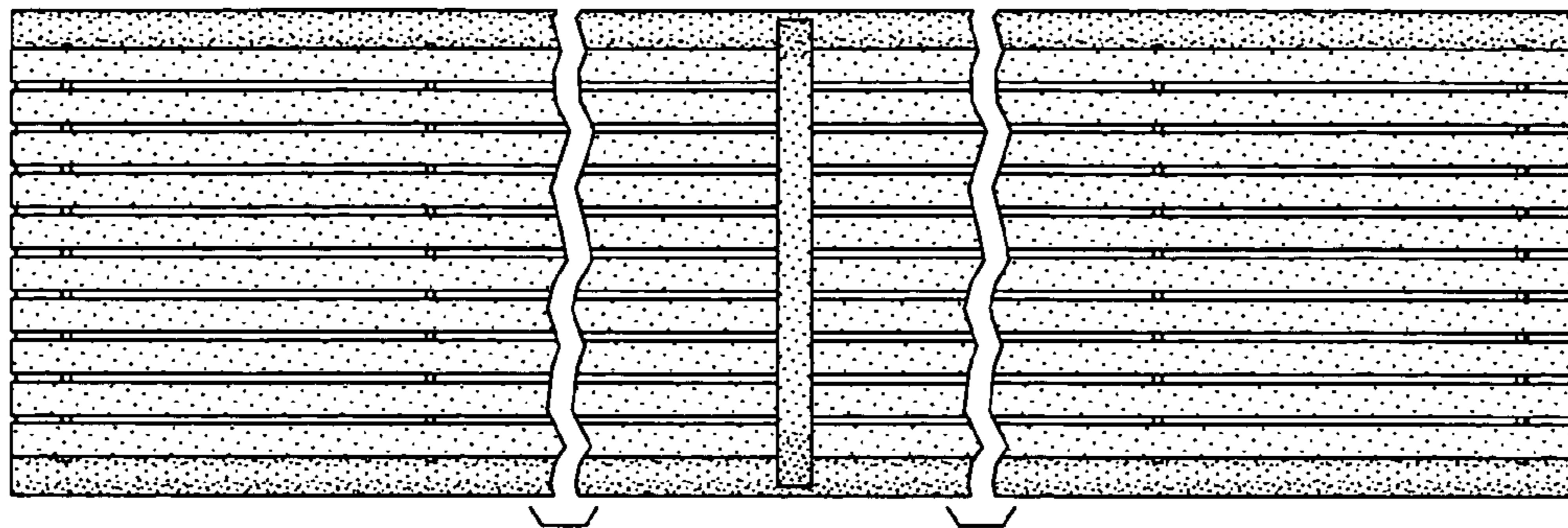


FIG. 3

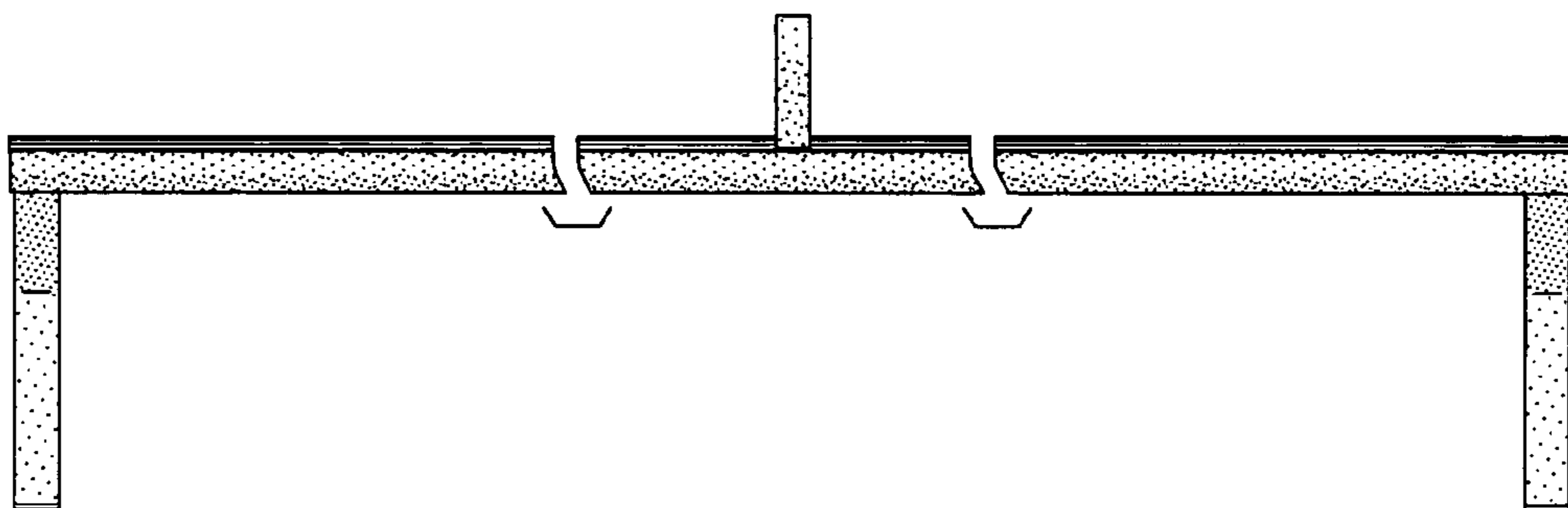


FIG. 4

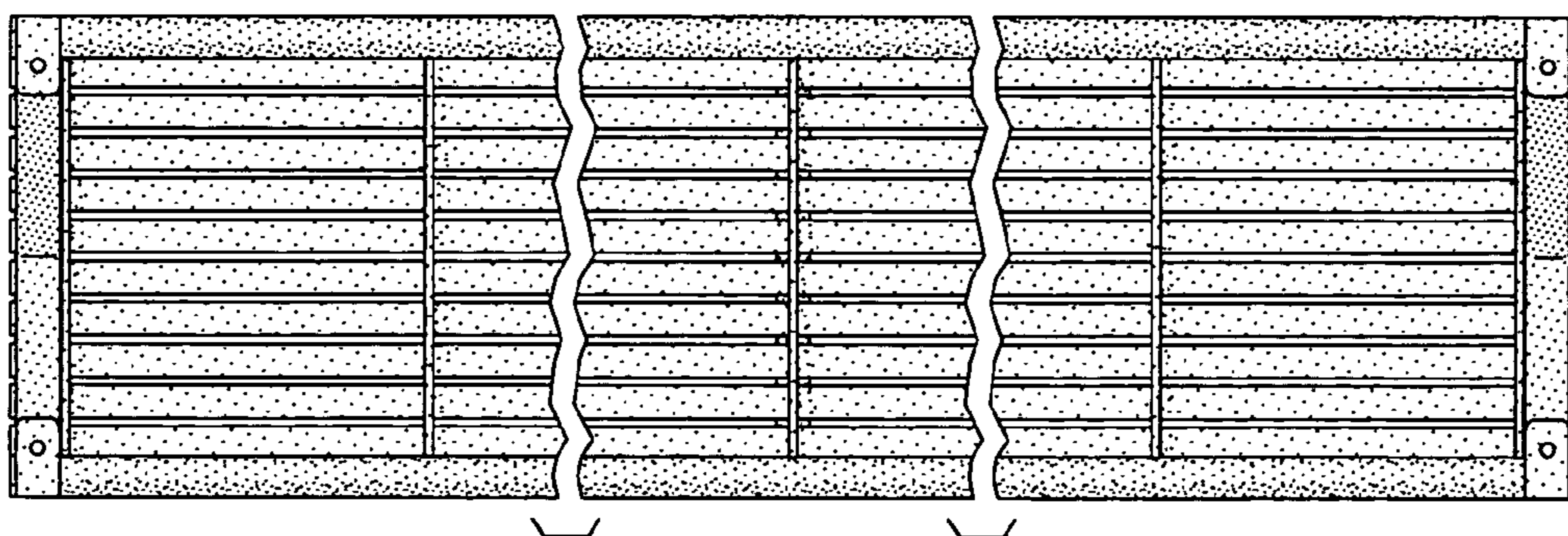


FIG. 5

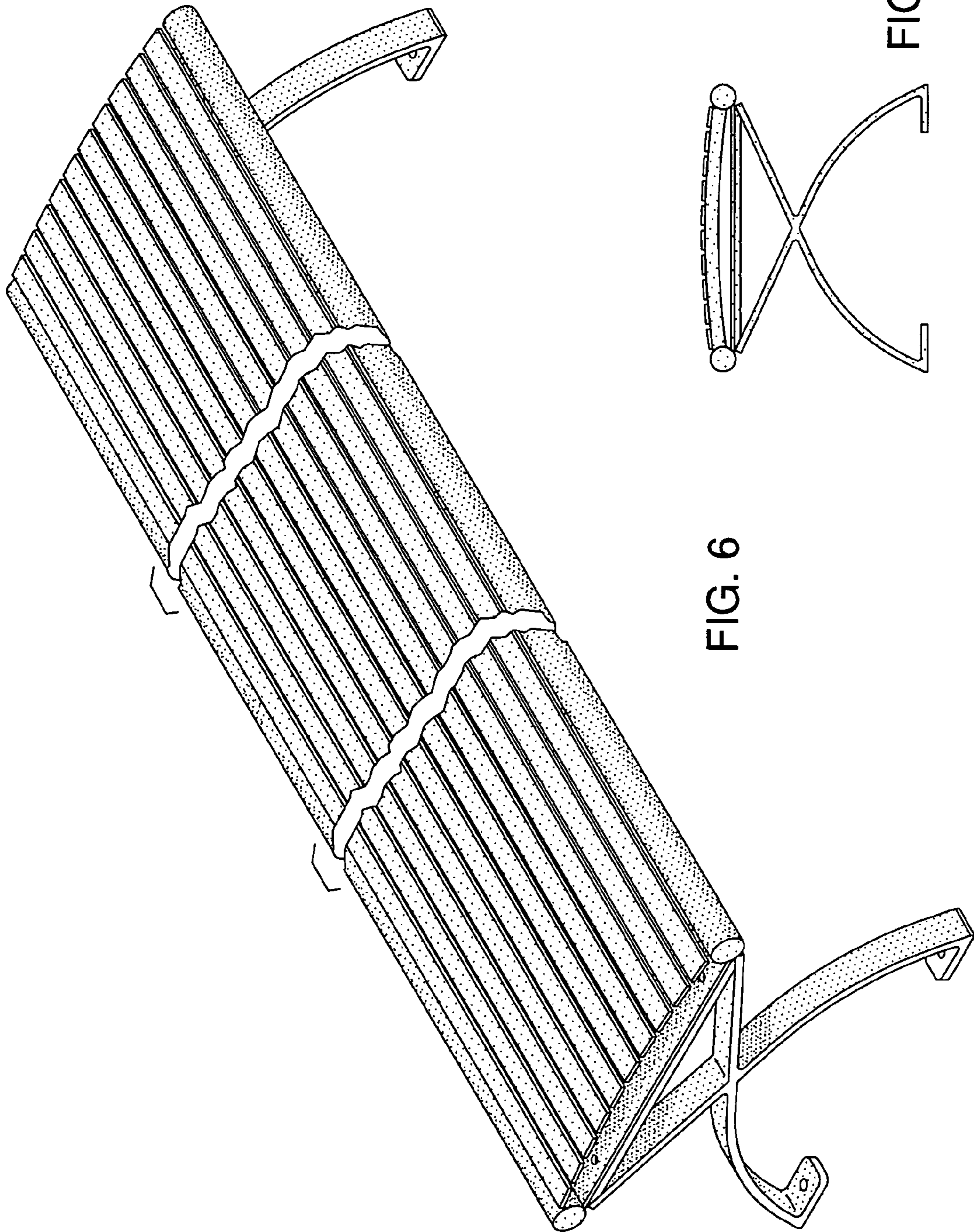


FIG. 6

FIG. 7

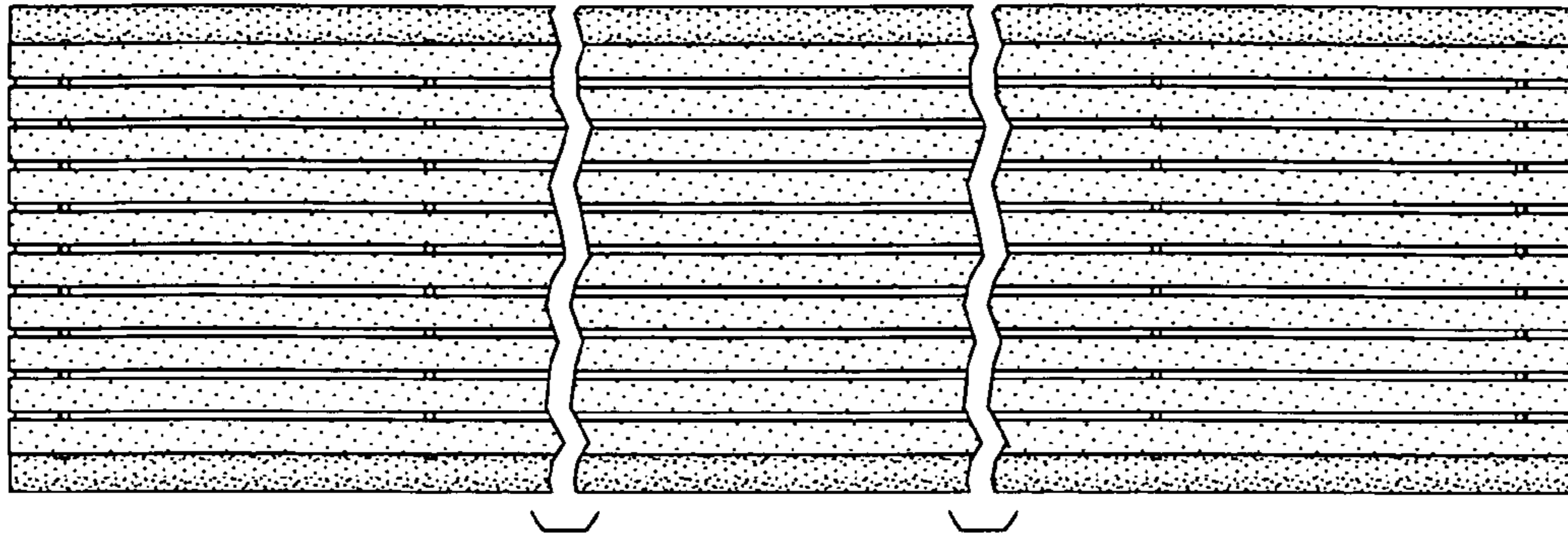


FIG. 8

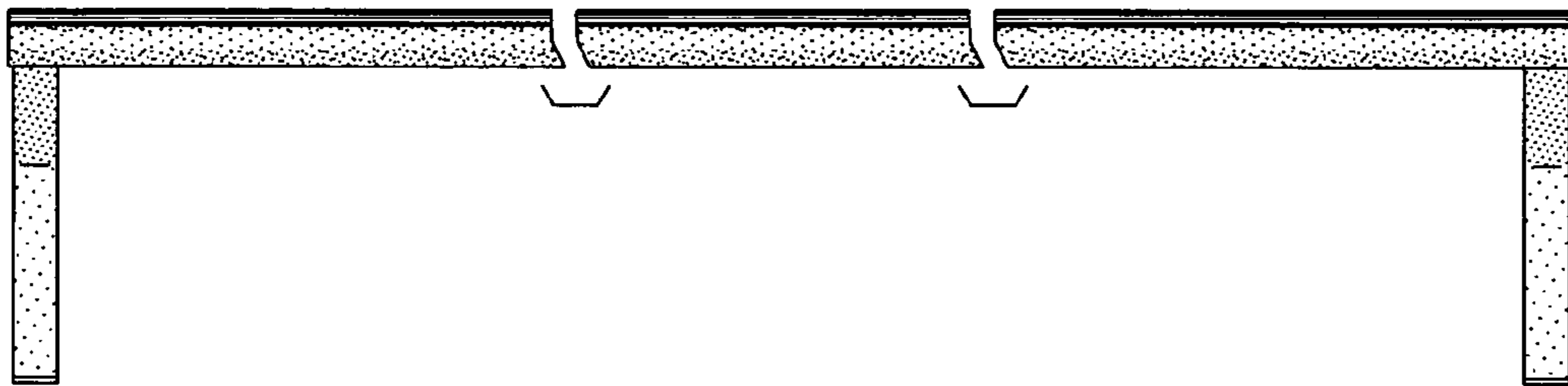


FIG. 9

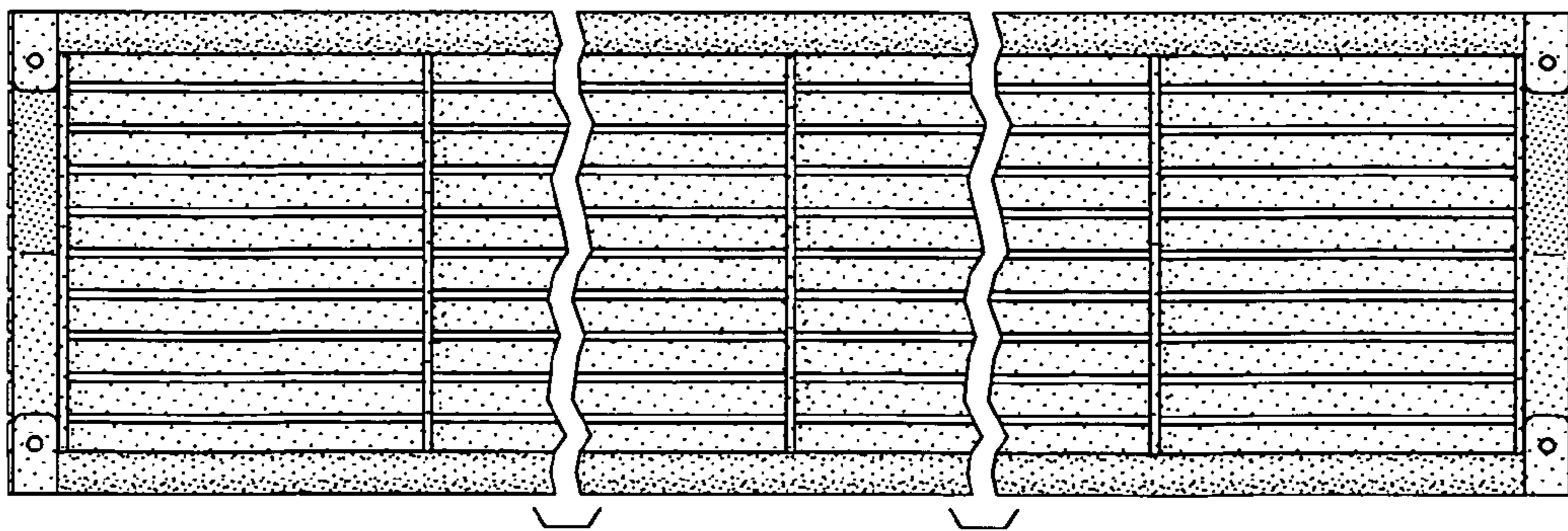


FIG. 10