



US00D609930S

(12) **United States Design Patent**
Young-il et al.

(10) **Patent No.:** **US D609,930 S**

(45) **Date of Patent:** **** Feb. 16, 2010**

(54) **CHAIR**

(75) Inventors: **Ro Young-il**, Seoul (KR); **Karim Rashid**, New York, NY (US)

(73) Assignee: **Yekun Industrial Co., Ltd.** (KR)

(**) Term: **14 Years**

(21) Appl. No.: **29/340,415**

(22) Filed: **Jul. 17, 2009**

(51) **LOC (9) Cl.** **06-01**

(52) **U.S. Cl.** **D6/364; D6/355**

(58) **Field of Classification Search** D6/334,
D6/335, 336, 349, 352, 355, 361, 364, 365,
D6/375, 376, 381, 383, 500-502; 297/232,
297/233, 248, 423.1, 423.34, 423.39, 451.4,
297/461, 462

See application file for complete search history.

(56) **References Cited**

U.S. PATENT DOCUMENTS

D144,677 S *	5/1946	Billet et al.	D6/361
D222,052 S *	9/1971	Iskander	D6/355
D245,949 S *	10/1977	Amey et al.	D6/349
D247,594 S *	3/1978	Corson et al.	D6/349
D261,830 S *	11/1981	Marks	D6/361
D290,788 S *	7/1987	Raferty	D6/355
D396,962 S *	8/1998	Lewis	D6/349
D415,360 S *	10/1999	Lewis	D6/349

D443,771 S *	6/2001	Jang	D6/381
D474,345 S *	5/2003	Pesso	D6/349
D554,874 S *	11/2007	Jourdan	D6/349
D596,416 S *	7/2009	Wold	D6/349
D597,328 S *	8/2009	Schweikarth et al.	D6/355

* cited by examiner

Primary Examiner—Mimosa De

(74) *Attorney, Agent, or Firm*—Rader, Fishman & Grauer PLLC

(57) **CLAIM**

The ornamental design for a chair, as shown and described.

DESCRIPTION

Applicants incorporate by reference in its entirety the co-pending application Ser. No. 29/340,419, which was filed on the same date as the present application.

FIG. 1 is a perspective view of a first embodiment of a chair.

FIG. 2 is a front view of a chair.

FIG. 3 is a back view of a chair.

FIG. 4 is a left side view of a chair.

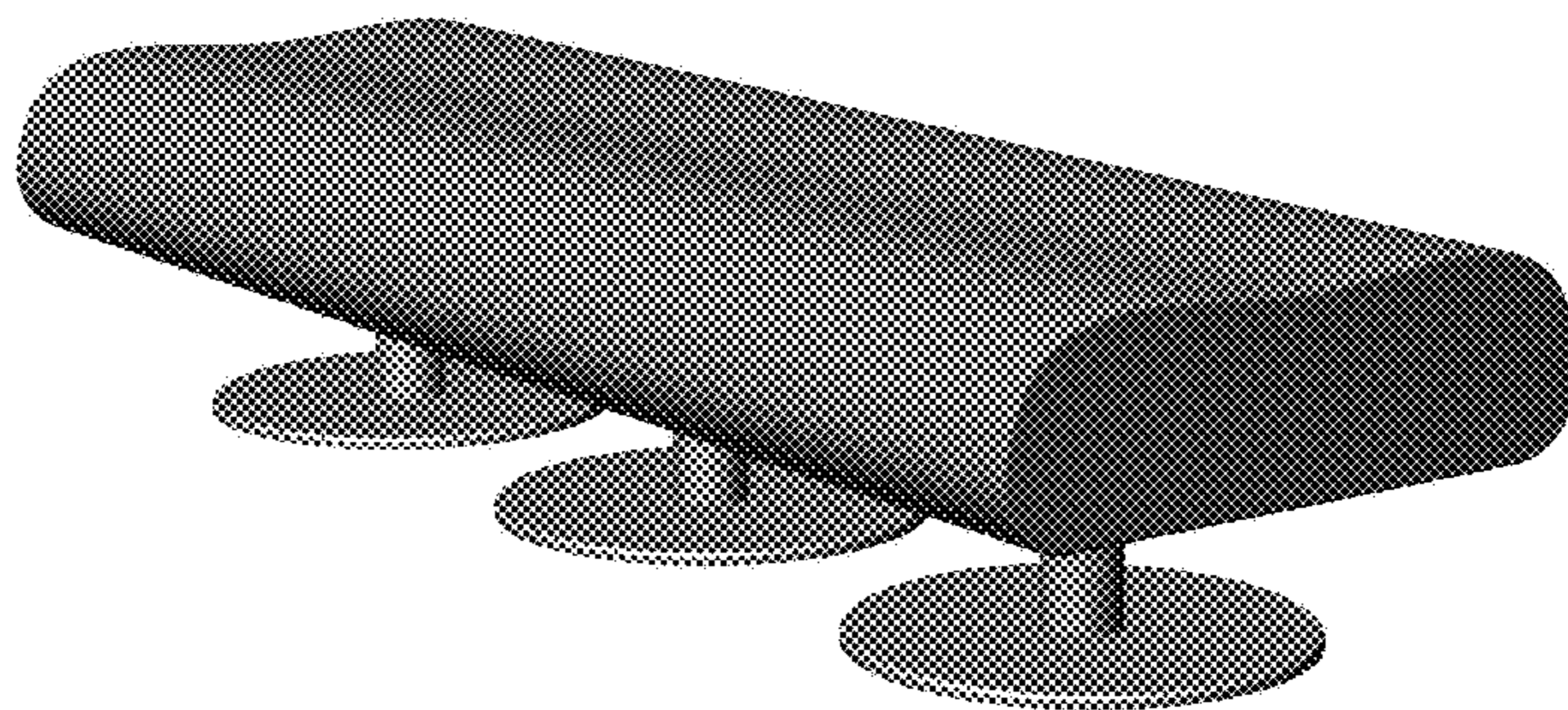
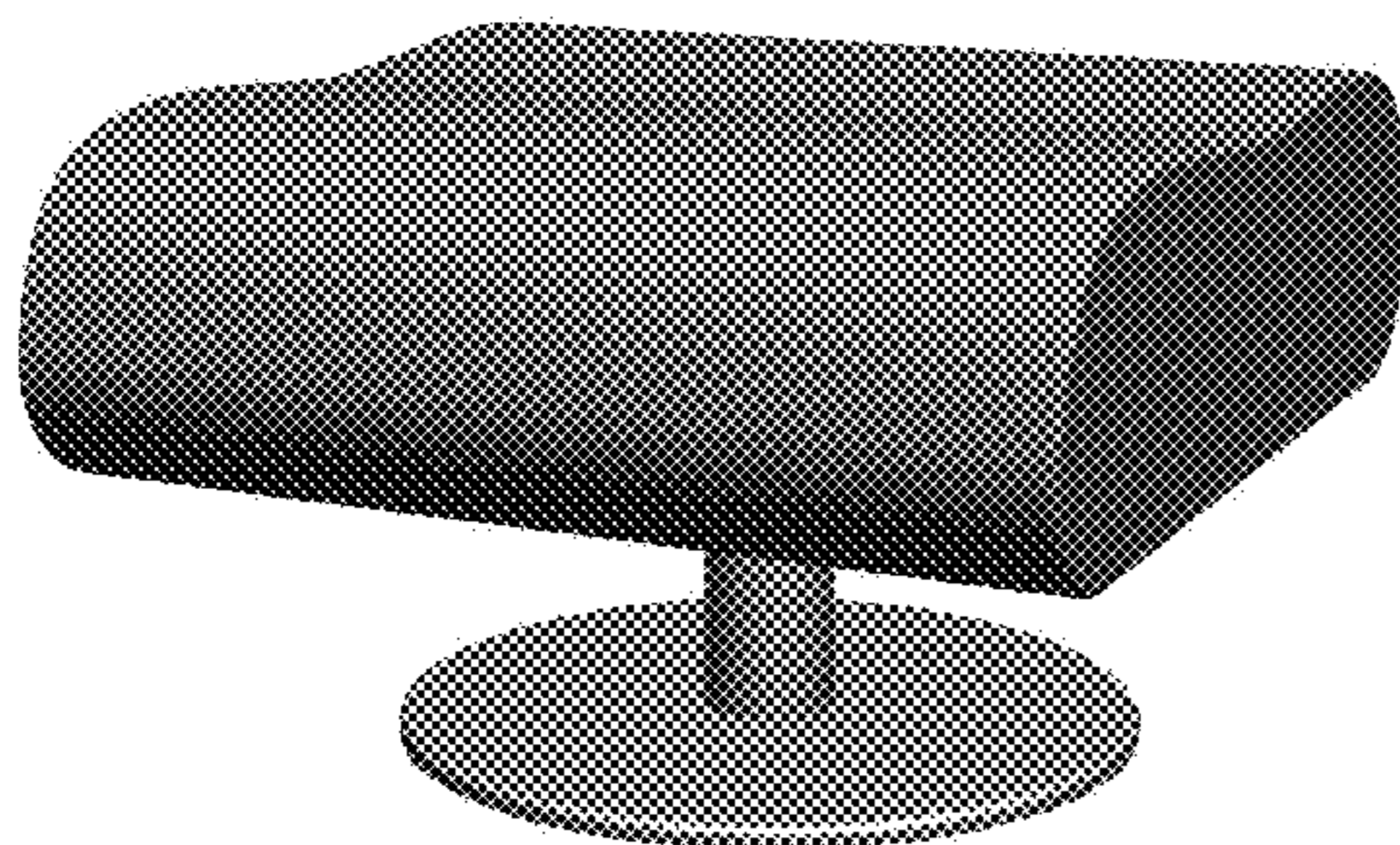
FIG. 5 is a right side view of a chair.

FIG. 6 is a top view of a chair.

FIG. 7 is a bottom view of a chair; and,

FIG. 8 is a perspective view of a second embodiment showing three adjacent chairs.

1 Claim, 5 Drawing Sheets



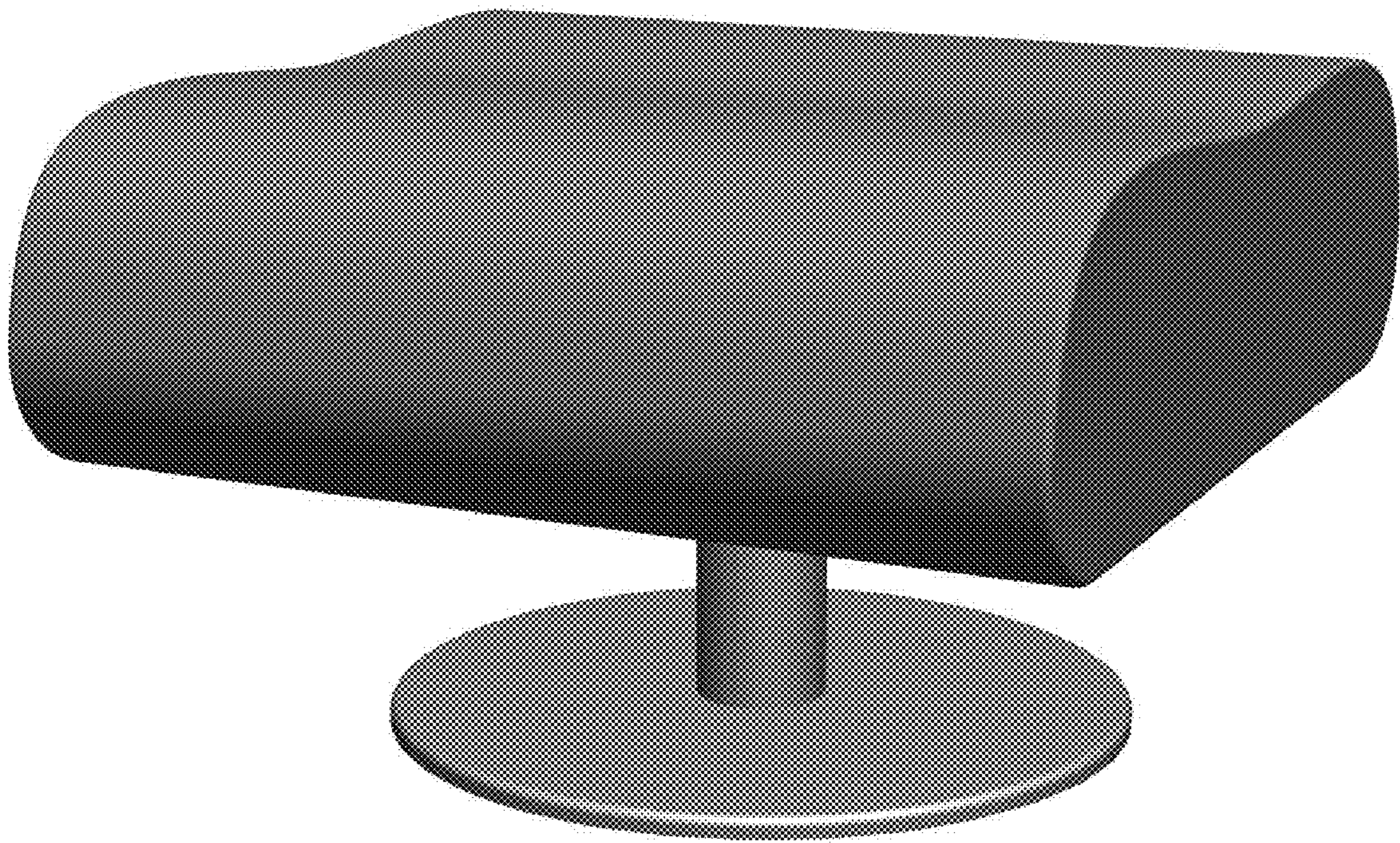


FIG. 1

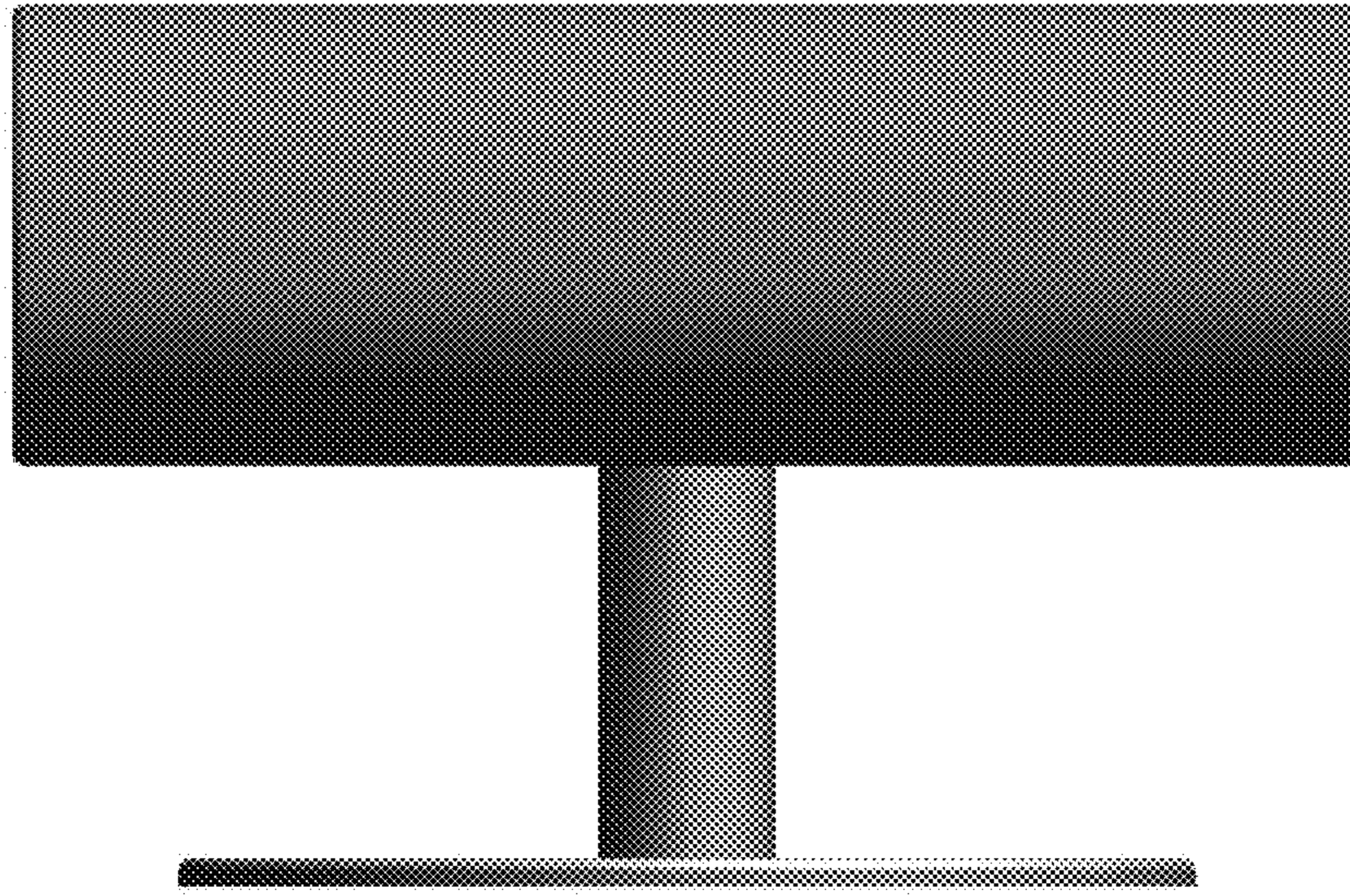


FIG. 2

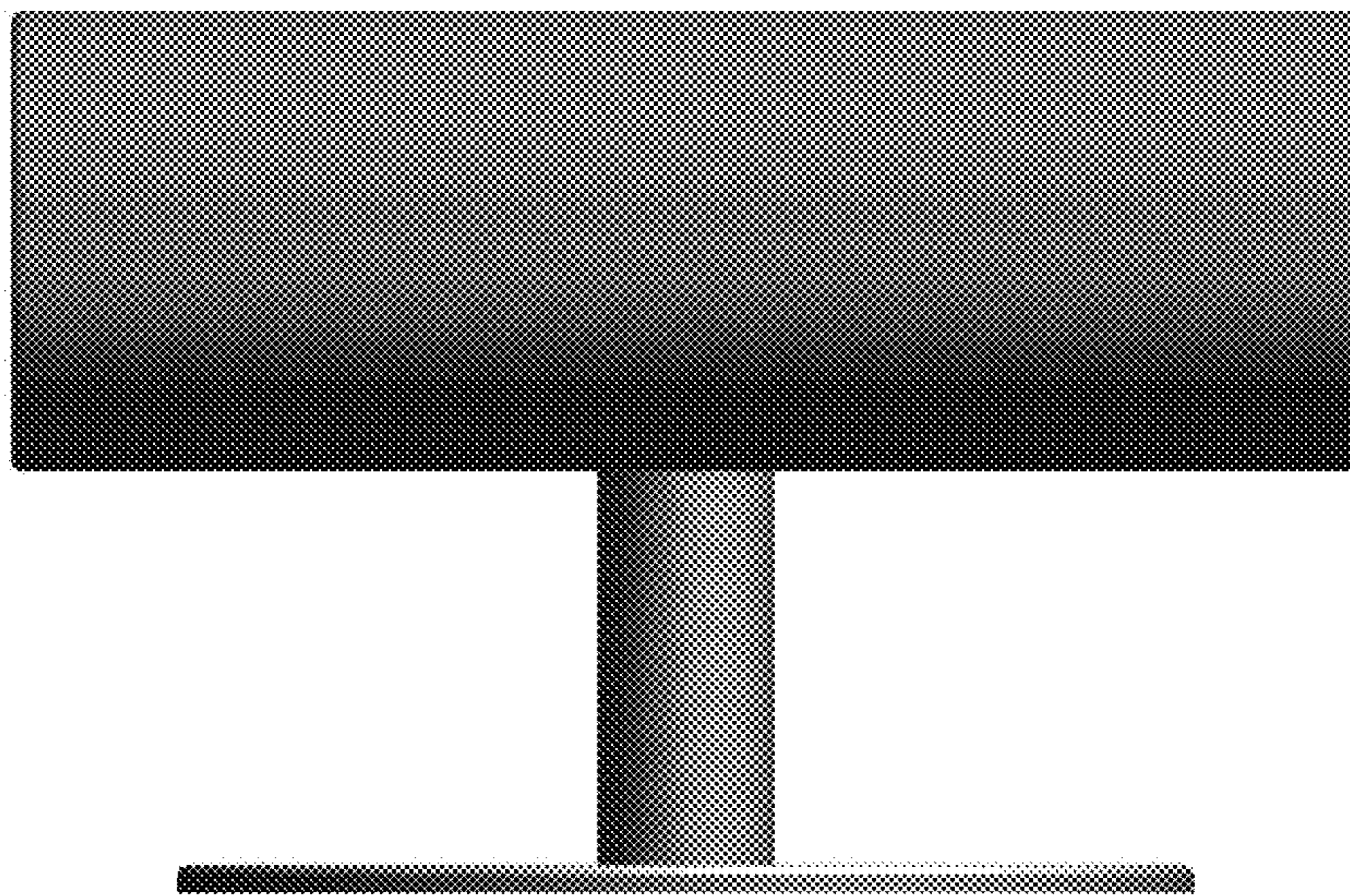


FIG. 3

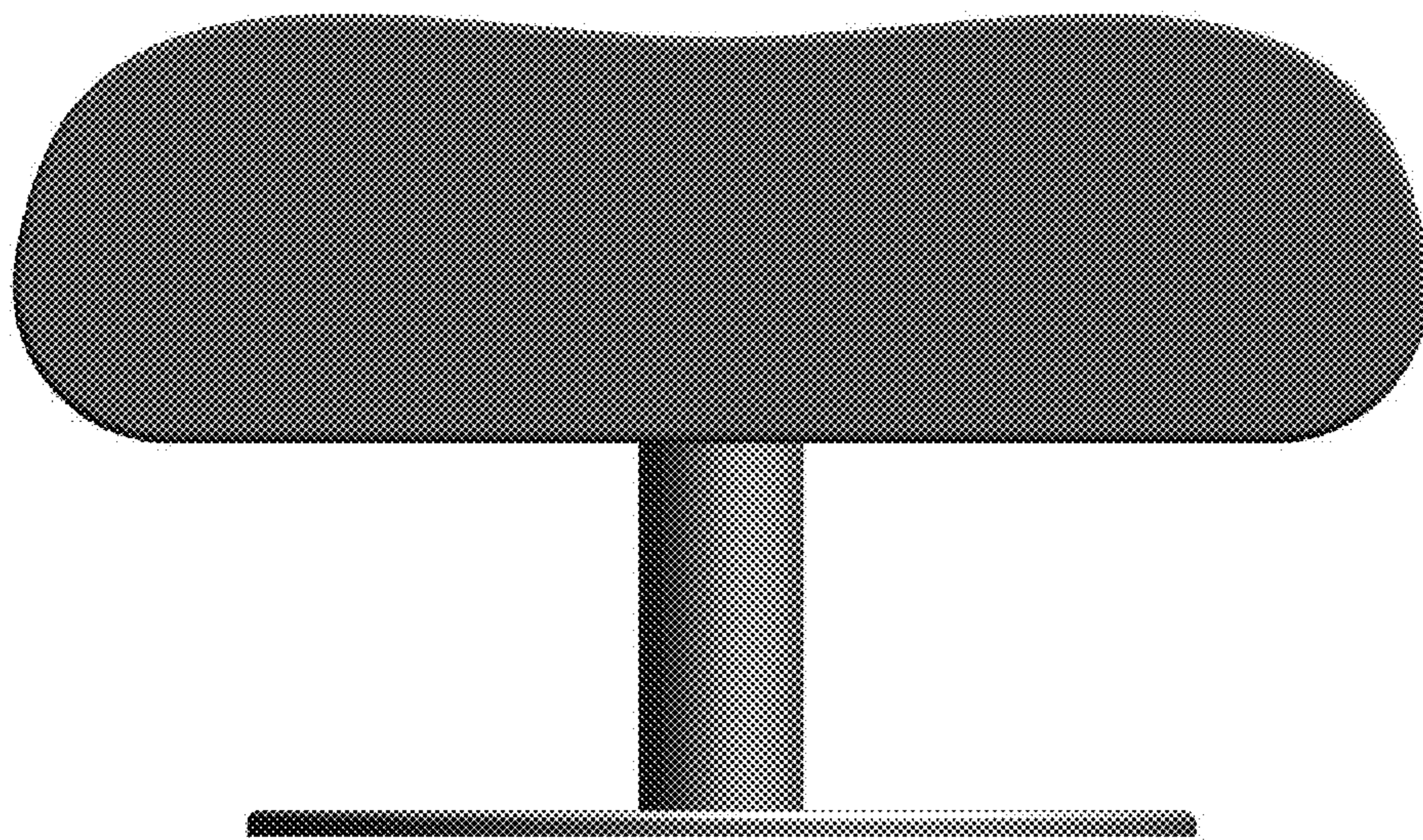


FIG. 4

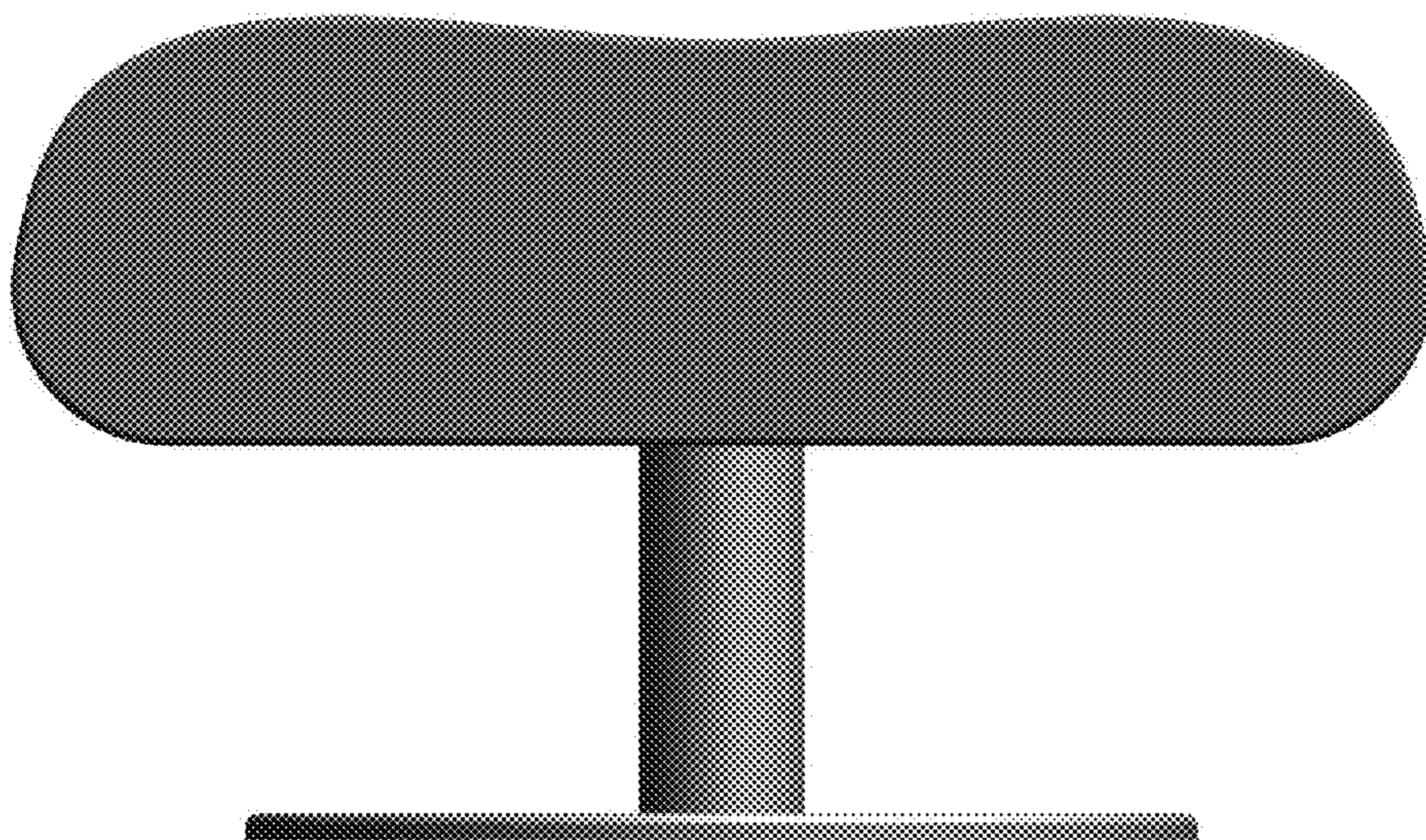


FIG. 5

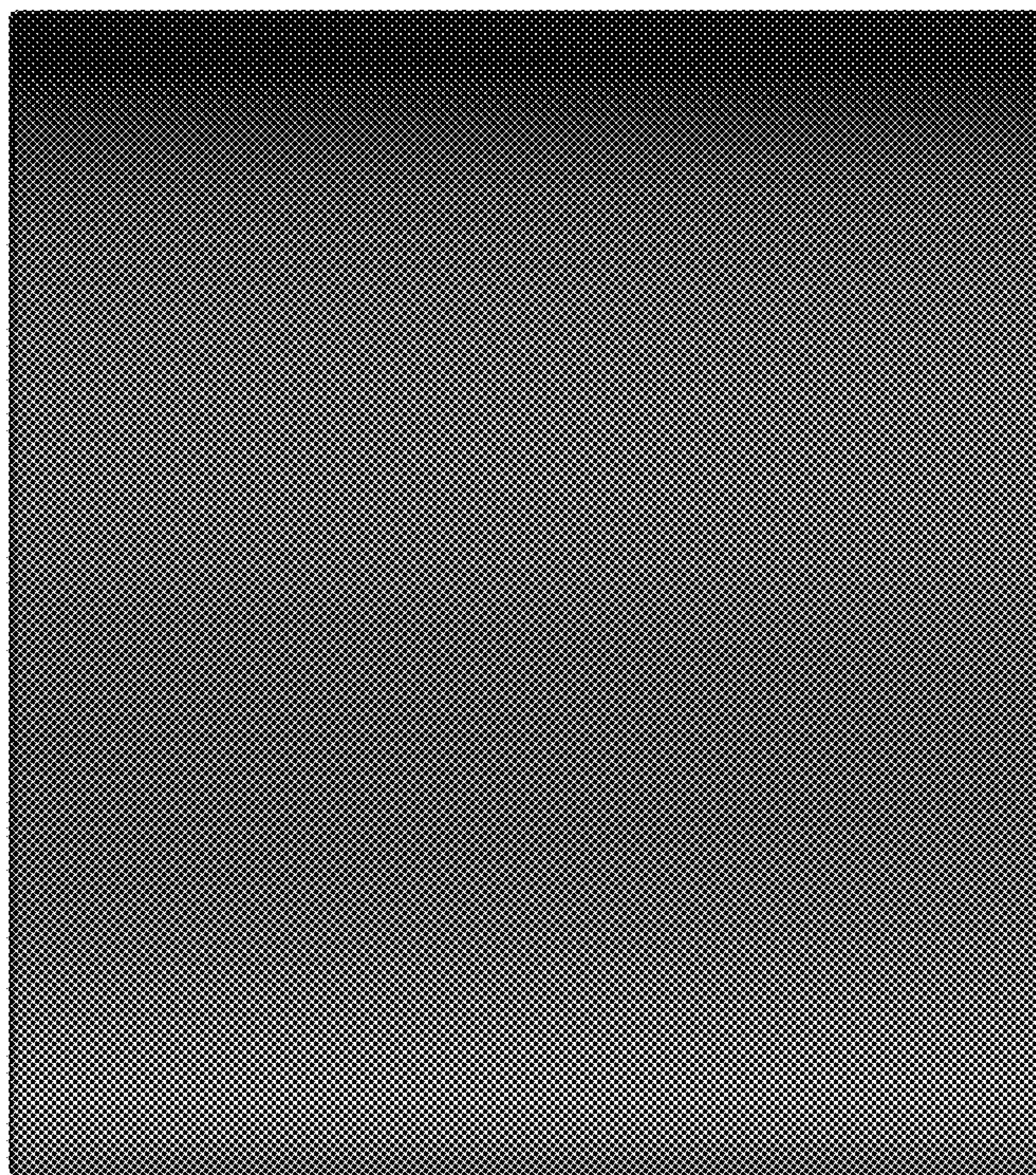


FIG. 6

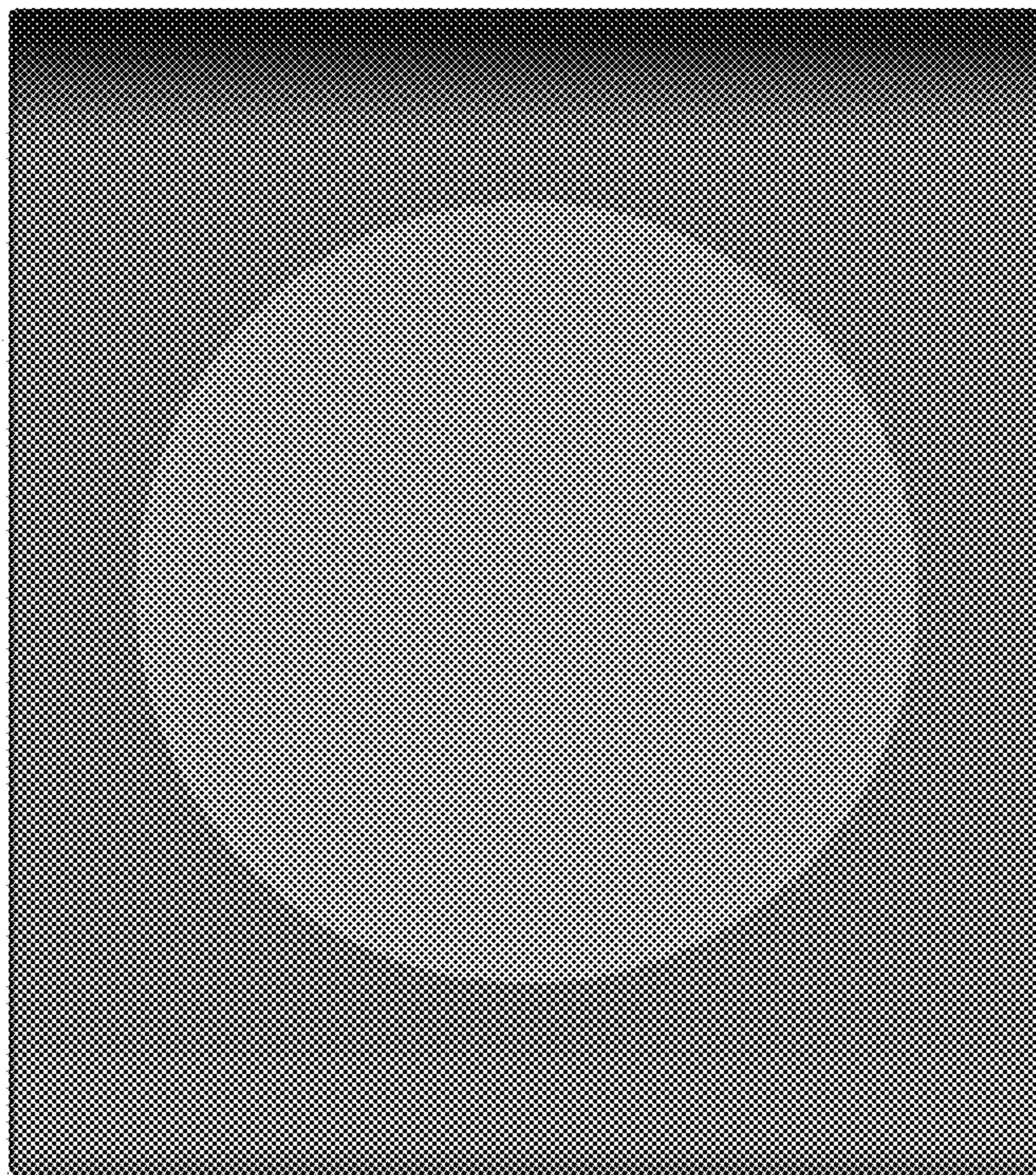


FIG. 7

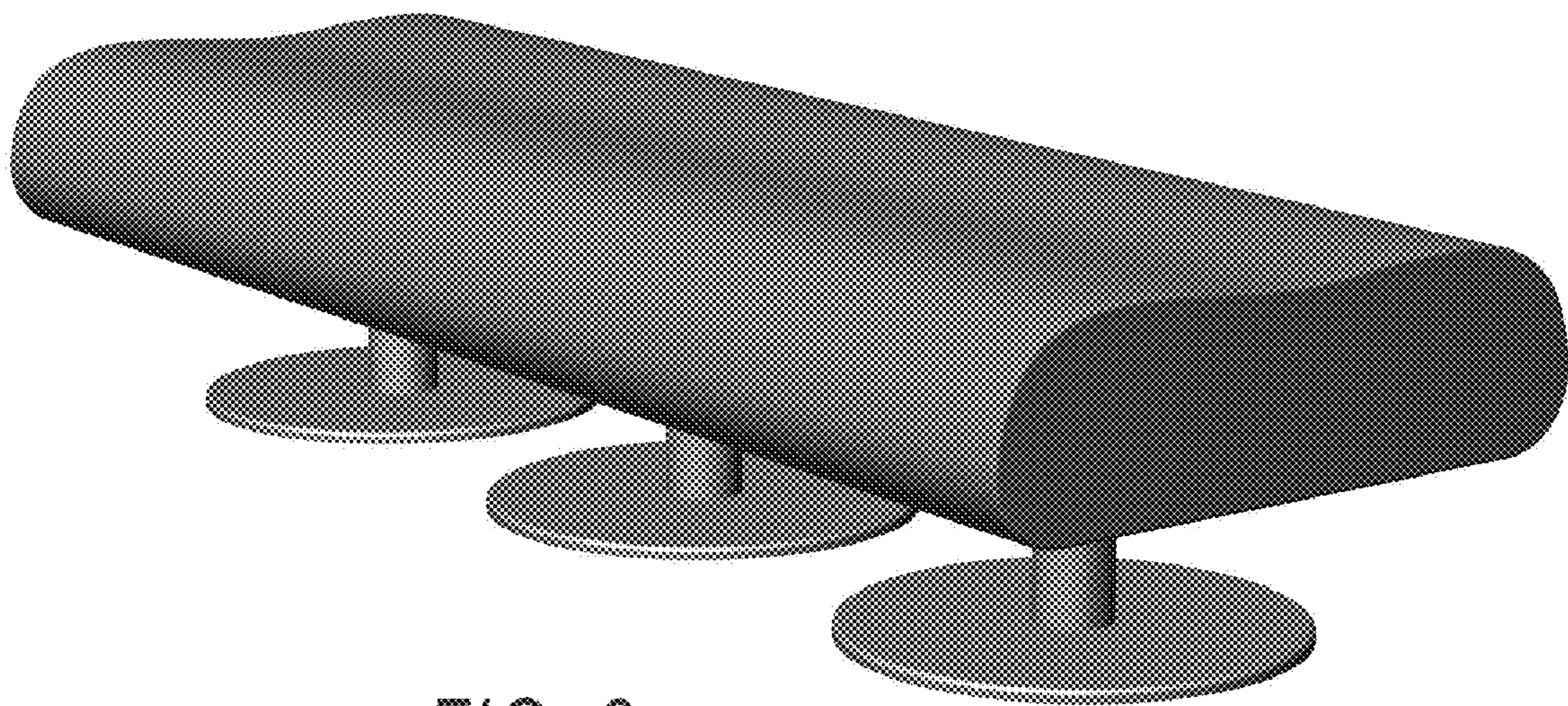


FIG. 8