



US00D609929S

(12) **United States Design Patent**  
**Martin et al.**

(10) **Patent No.:** **US D609,929 S**

(45) **Date of Patent:** **\*\* Feb. 16, 2010**

(54) **SMALL LOVE SEAT**

(75) Inventors: **Gregory D. Martin**, Mountain Home, AR (US); **Dan L. Fragoules**, Mountain Home, AR (US)

(73) Assignee: **Innovative Library Concepts, Inc.**, Mountain Home, AR (US)

(\*\*) Term: **14 Years**

(21) Appl. No.: **29/315,735**

(22) Filed: **Jul. 20, 2009**

(51) **LOC (9) Cl.** ..... **06-01**

(52) **U.S. Cl.** ..... **D6/358**

(58) **Field of Classification Search** ..... D6/334-336, D6/349, 350, 351, 358, 371-373, 374, 375, D6/381, 500-502; 297/181, 232, 440.14; 40/530; 116/234; 281/3.1, 15.1  
See application file for complete search history.

(56) **References Cited**

U.S. PATENT DOCUMENTS

727,148 A \* 5/1903 Jones ..... 40/530  
1,858,605 A \* 5/1932 Von Alvensleben ..... 116/234  
D90,161 S \* 6/1933 Lustbader ..... D6/358  
4,505,219 A \* 3/1985 Mangano ..... 116/234

4,970,984 A \* 11/1990 Vazquez ..... 116/234  
D341,493 S \* 11/1993 Morgan et al. .... D6/358  
D363,832 S 11/1995 Germany  
5,509,720 A \* 4/1996 Croom ..... 297/440.14  
D440,416 S 4/2001 Olofson  
D440,417 S 4/2001 Olofson  
D441,206 S 5/2001 Olofson  
D469,617 S 2/2003 Olofson  
D484,324 S \* 12/2003 Olofson ..... D6/358  
D541,090 S 4/2007 Olofson

\* cited by examiner

*Primary Examiner*—Mimosa De

(74) *Attorney, Agent, or Firm*—Stephen D. Carver

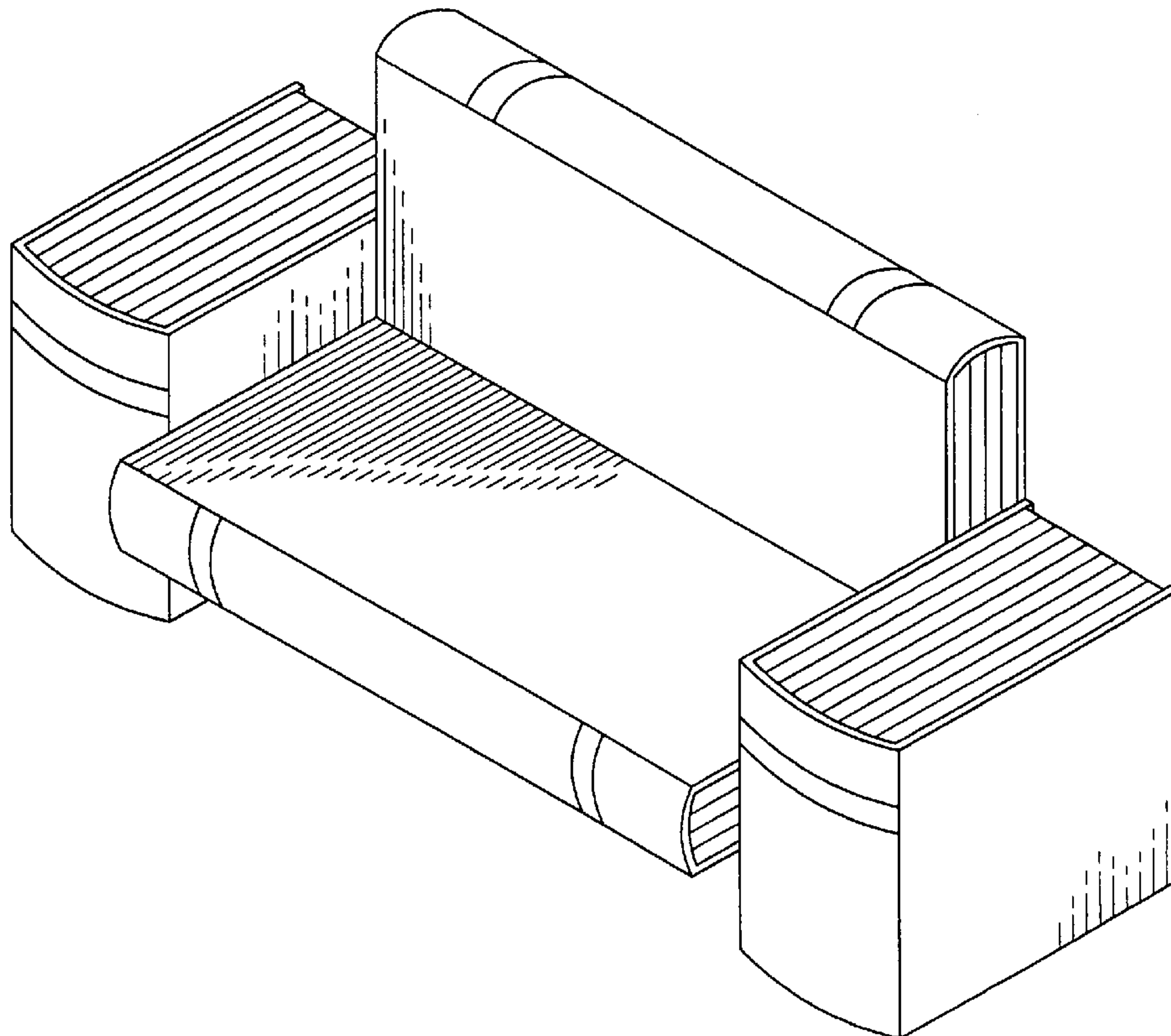
(57) **CLAIM**

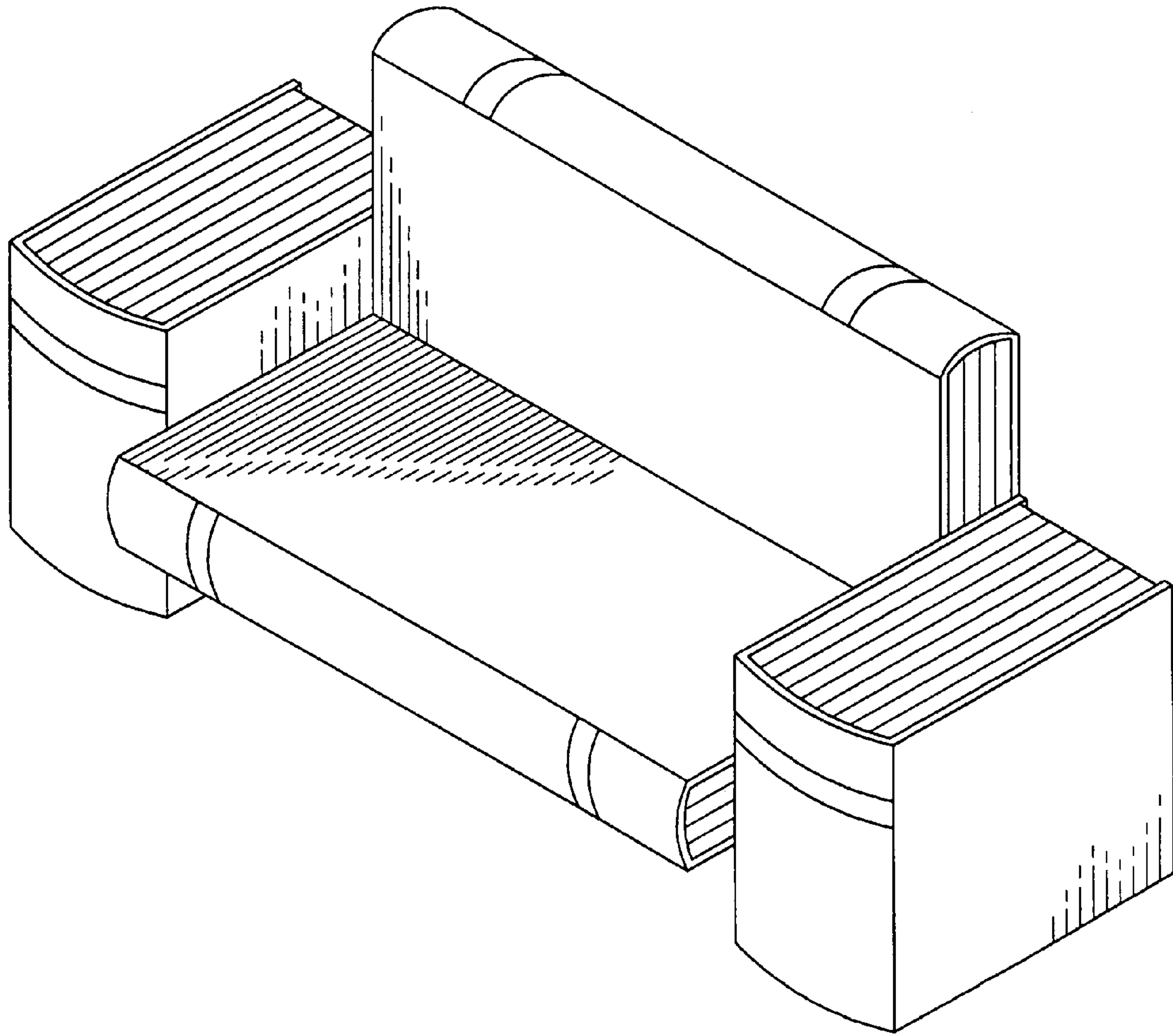
The ornamental design for a small love seat, as shown.

**DESCRIPTION**

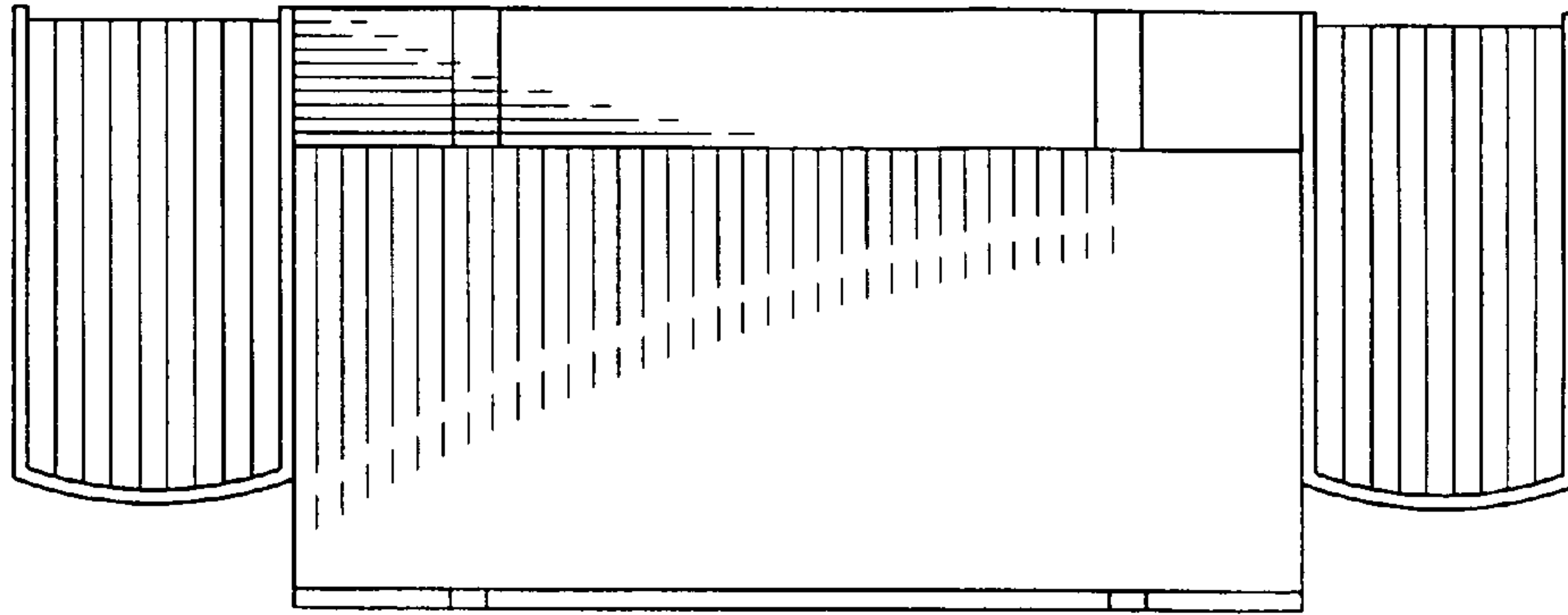
FIG. 1 is a frontal isometric view of our new small love seat; FIG. 2 is a top plan view thereof; FIG. 3 is a front elevational view thereof; FIG. 4 is a right side elevational view of FIG. 3, the other side appearing the same; FIG. 5 is a bottom plan view thereof; and, FIG. 6 is a rear elevational view.

**1 Claim, 3 Drawing Sheets**

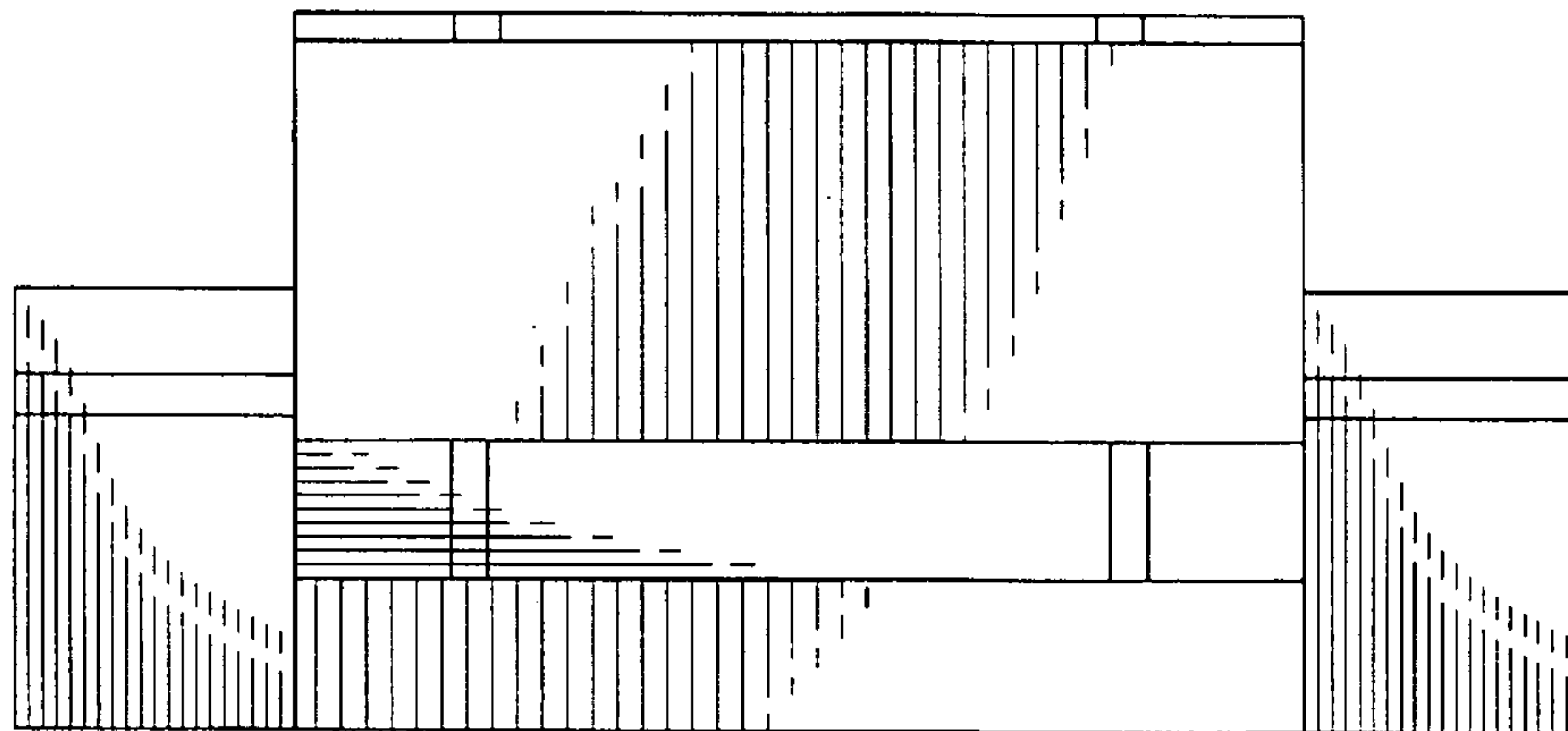




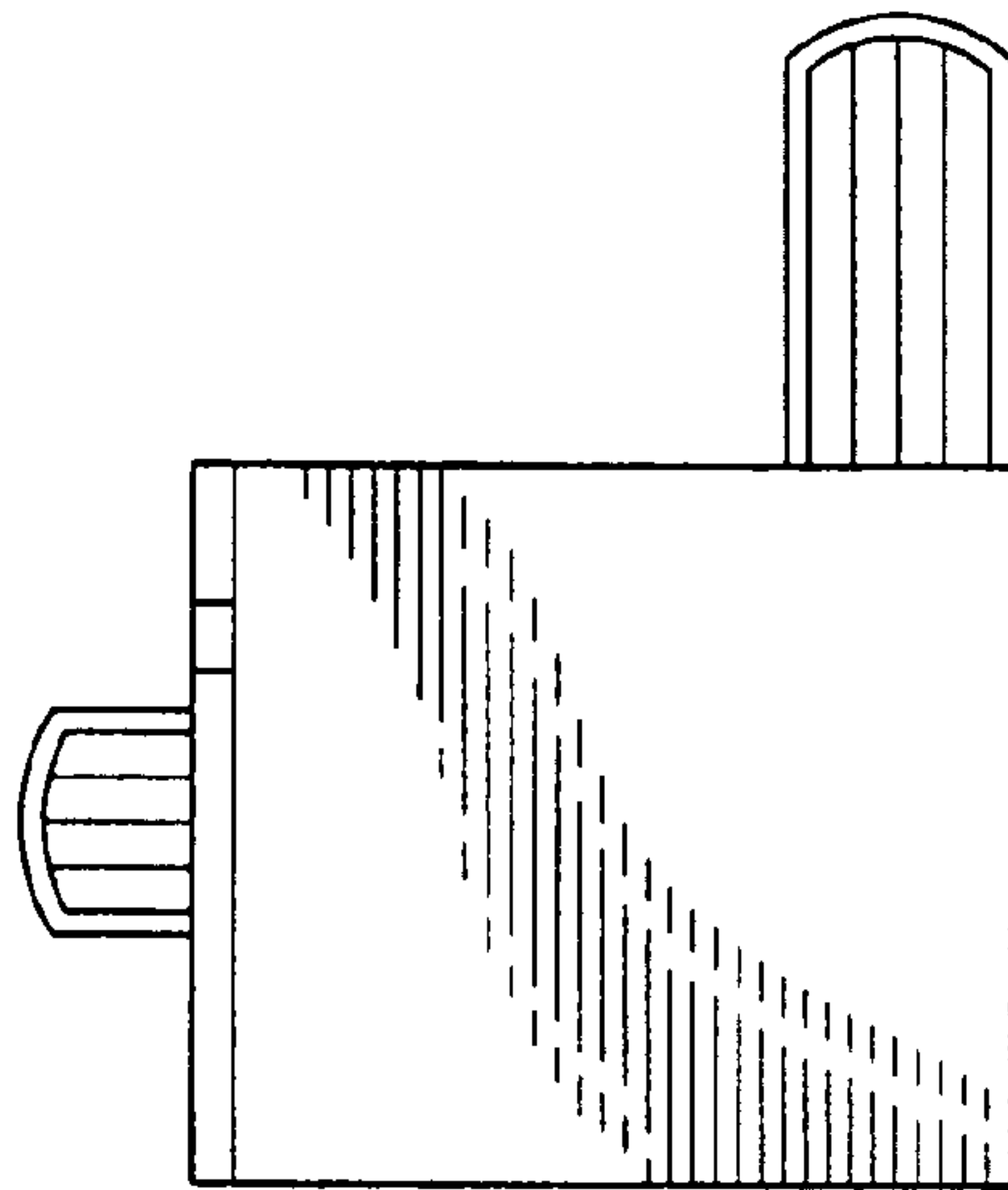
**Fig.1**



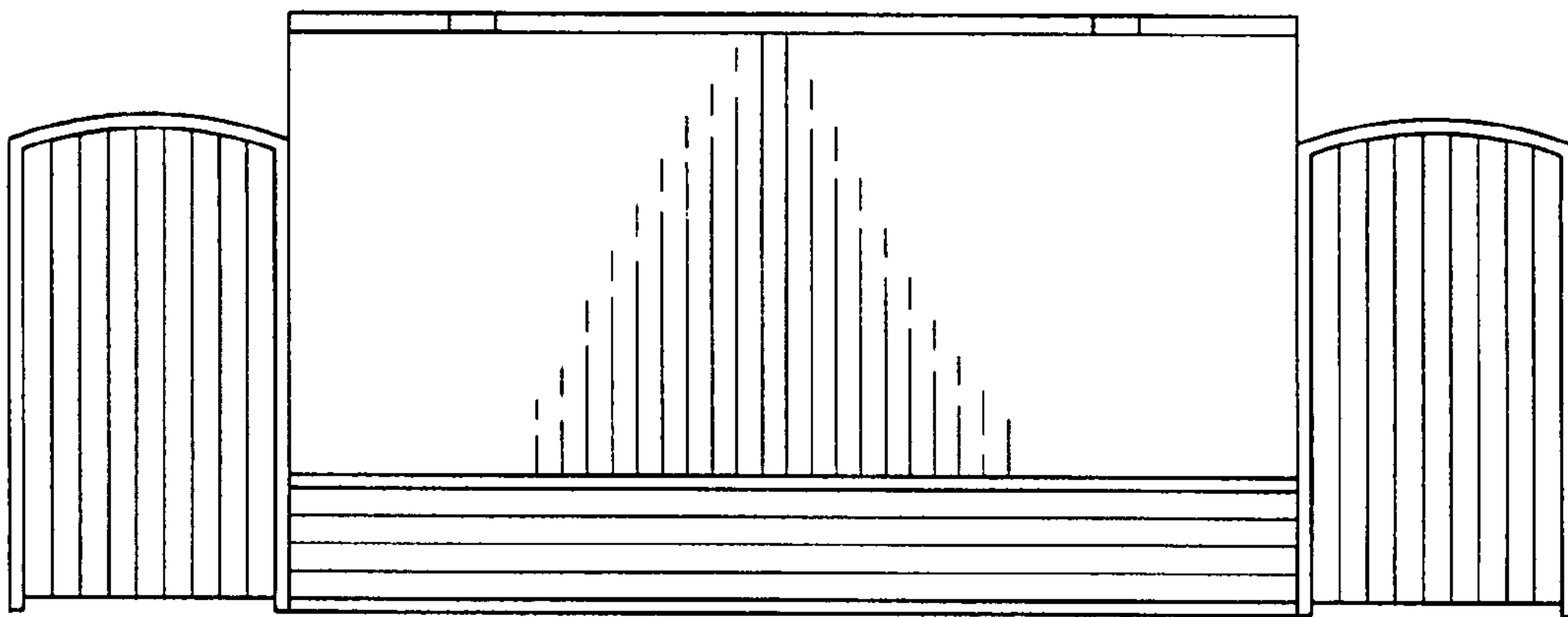
**Fig. 2**



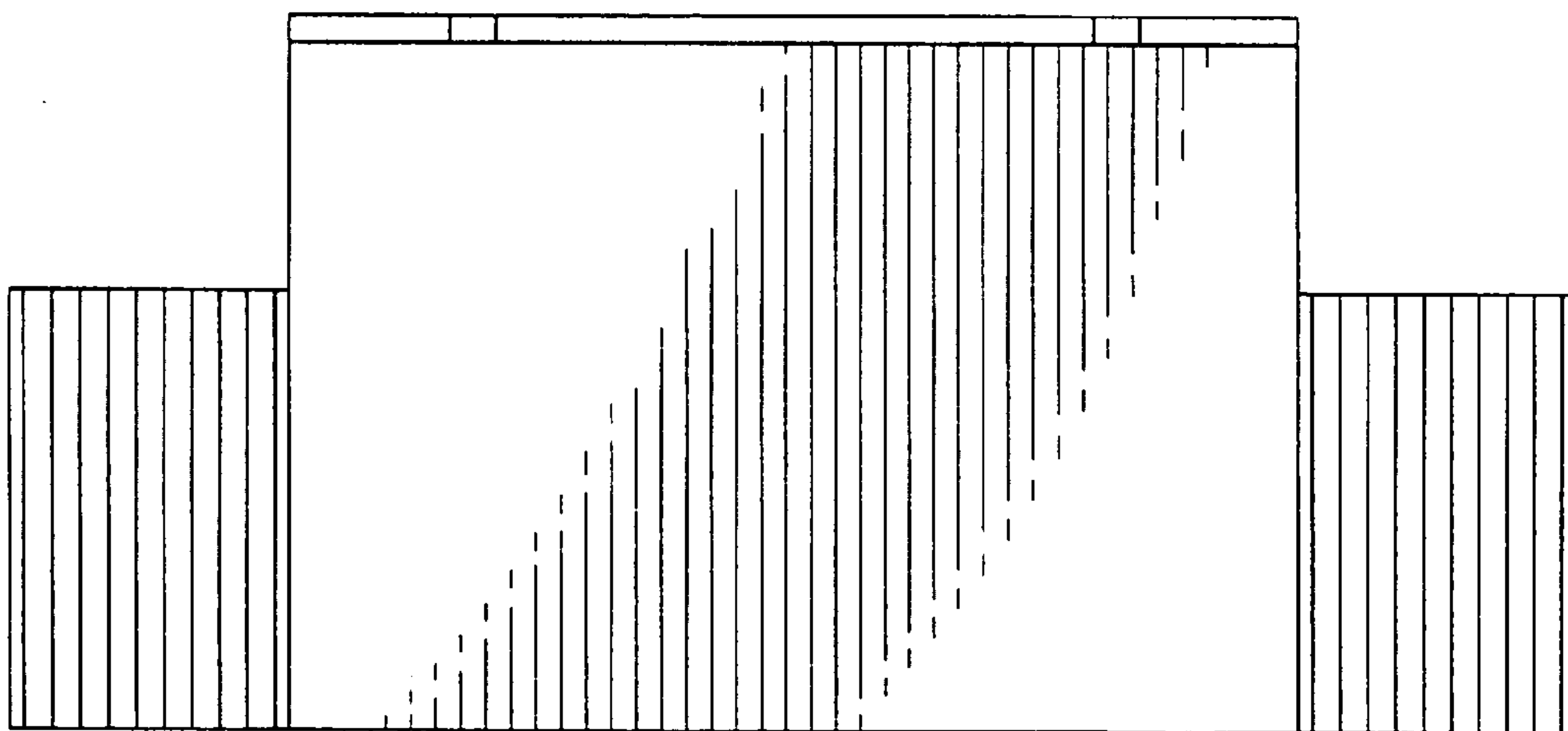
**Fig. 3**



**Fig. 4**



**Fig. 5**



**Fig. 6**