



US00D609927S

(12) **United States Design Patent**  
**Floor**

(10) **Patent No.:** **US D609,927 S**

(45) **Date of Patent:** **\*\* Feb. 16, 2010**

(54) **STEP STOOL**

(75) Inventor: **Kenneth C. Floer**, Chaska, MN (US)

(73) Assignee: **Miller Manufacturing Company, Inc.**,  
Eagan, MN (US)

(\*\*) Term: **14 Years**

(21) Appl. No.: **29/336,299**

(22) Filed: **Apr. 30, 2009**

(51) **LOC (9) Cl.** ..... **06-01**

(52) **U.S. Cl.** ..... **D6/350**

(58) **Field of Classification Search** ..... D6/330,  
D6/335-338, 340, 349-355, 358, 359, 364,  
D6/366, 376, 491, 495, 500-502; 297/16.1,  
297/39, 46, 135, 140, 156, 158.3, 158.4,  
297/175, 177, 187, 195.1, 195.11, 211, 245,  
297/423.1, 423.16, 445.1, 461, 462; D32/53,  
D32/53.1; 220/507; D3/281; D25/65

See application file for complete search history.

(56) **References Cited**

**U.S. PATENT DOCUMENTS**

D184,390	S	*	2/1959	Cramer	.....	D6/350
3,559,761	A	*	2/1971	Wehner	.....	182/15
3,599,750	A	*	8/1971	Serwer	.....	182/15
3,721,315	A	*	3/1973	Wehner	.....	182/15
D335,966	S	*	6/1993	Schwartzkopf et al.	.....	D6/350
D337,211	S	*	7/1993	Bergkvist	.....	D6/349
D354,210	S	*	1/1995	Dickinson et al.	.....	D25/63
D359,863	S	*	7/1995	Marlor	.....	D6/451
D524,069	S	*	7/2006	Lim	.....	D6/350

D553,370	S	*	10/2007	Meyers et al.	.....	D6/350
D566,977	S	*	4/2008	Emge	.....	D6/350
D570,125	S	*	6/2008	Gonzalez	.....	D6/350
D582,168	S	*	12/2008	Sandel	.....	D6/349

\* cited by examiner

*Primary Examiner*—Sandra Snapp

(74) *Attorney, Agent, or Firm*—James W. Miller

(57) **CLAIM**

The ornamental design for a step stool, as shown and described.

**DESCRIPTION**

FIG. 1 is a perspective view of one embodiment of a step stool showing my new design, the embodiment having an inset solid panel on each side thereof and an upper surface with a series of spaced, upwardly projecting, grip enhancing treads;

FIG. 2 is a front elevational view of the invention illustrated in FIG. 1, with the back elevational view being identical to the front elevational view depicted in FIG. 2;

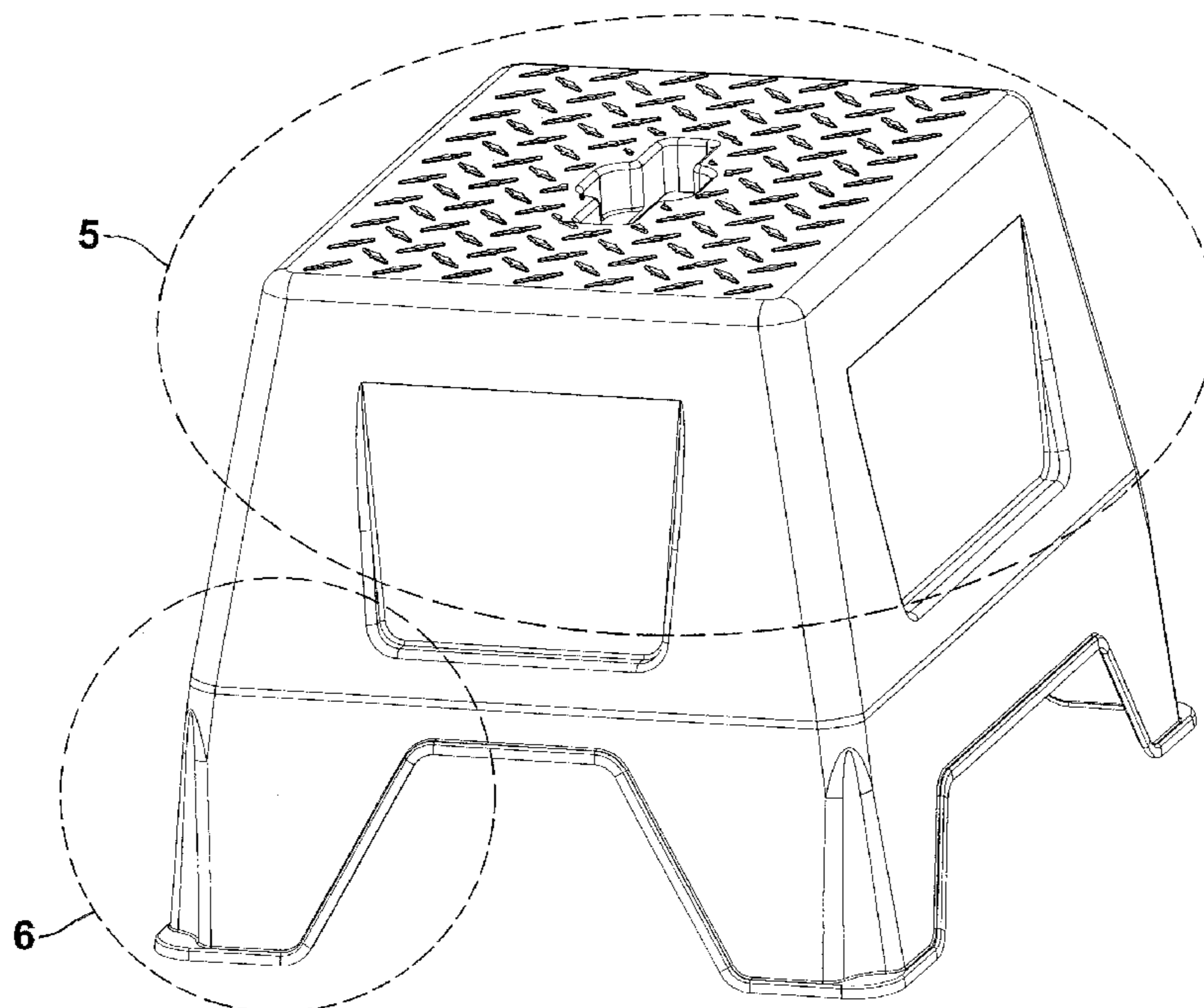
FIG. 3 is a left elevational view of the invention illustrated in FIG. 1, with the right elevational view being identical to the left elevational view depicted in FIG. 3;

FIG. 4 is a top plan view of the invention illustrated in FIG. 1;

FIG. 5 is an enlarged perspective view of the top surface of invention illustrated in FIG. 1 particularly showing the treads thereon; and,

FIG. 6 is an enlarged perspective view of the corner of one of the legs of the invention illustrated in FIG. 1.

**1 Claim, 6 Drawing Sheets**



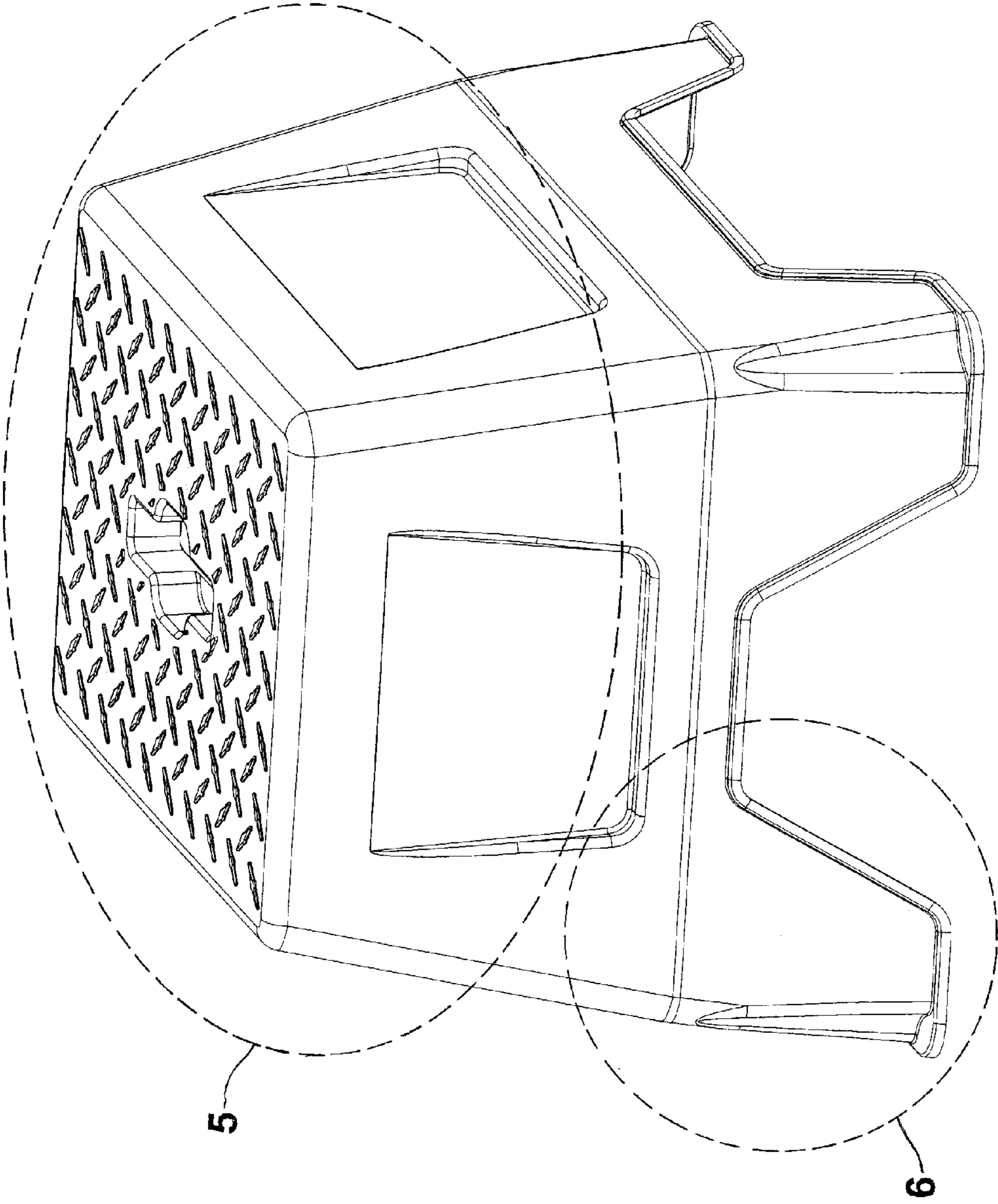


Fig. 1

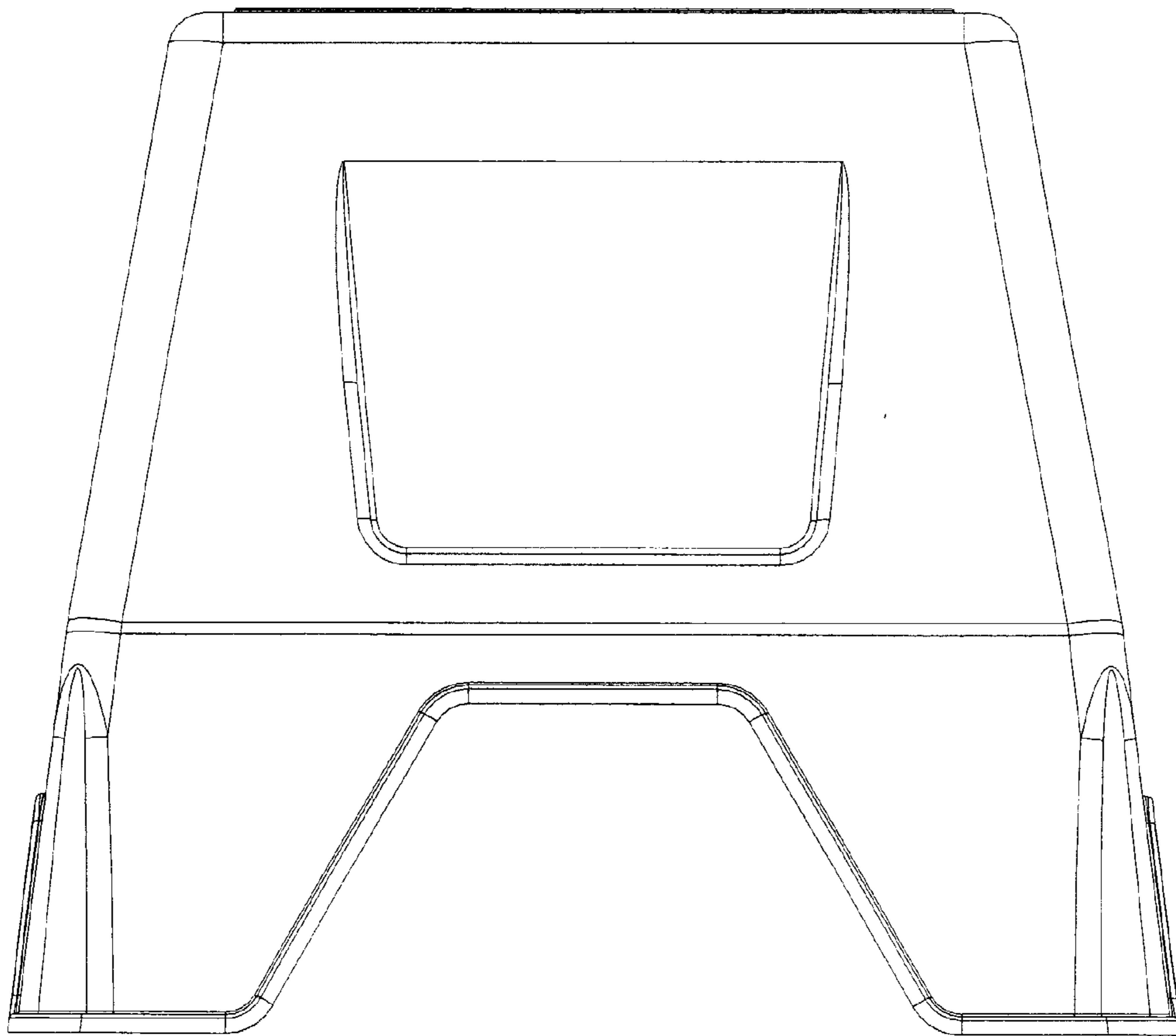


Fig. 2

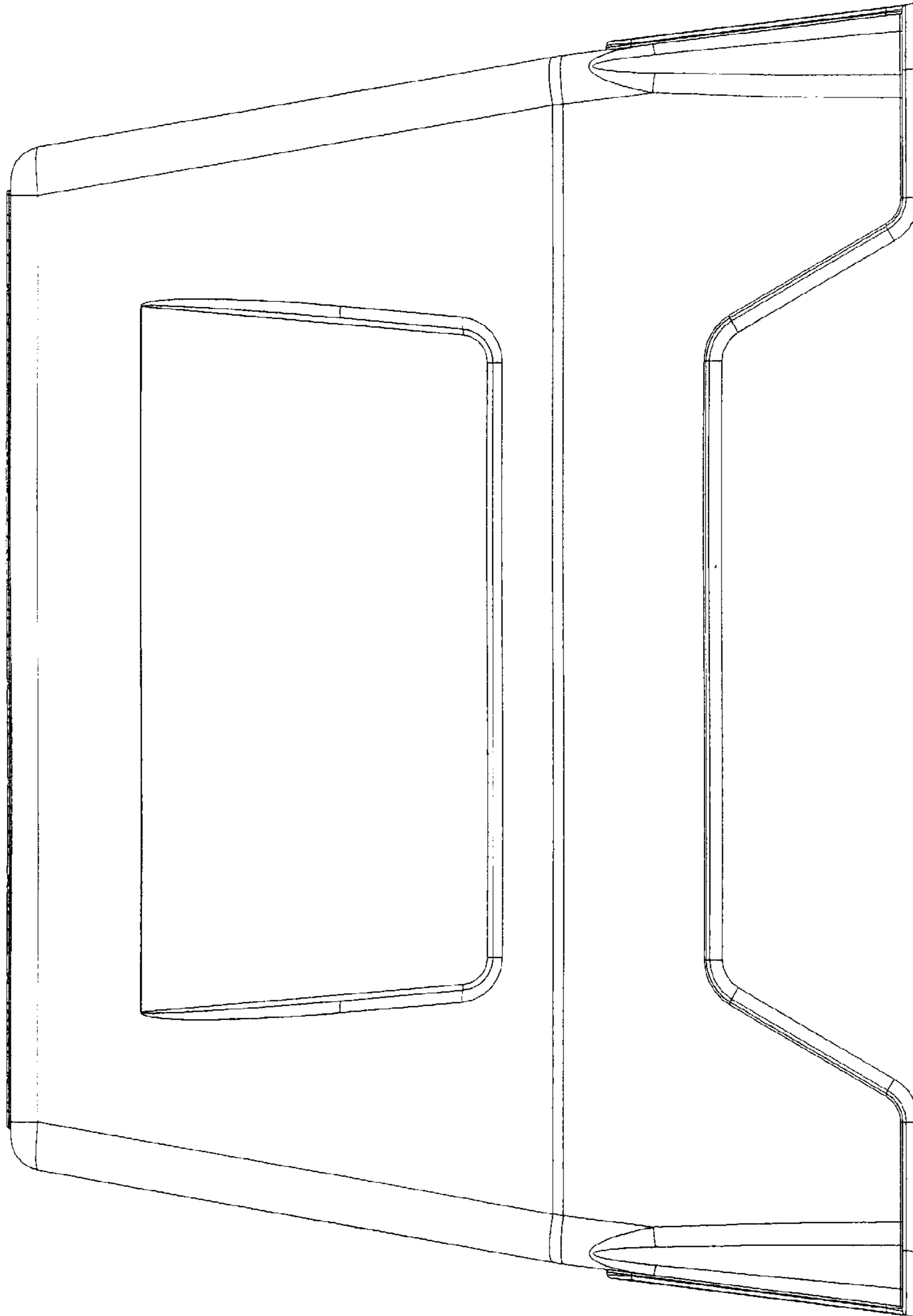


Fig. 3

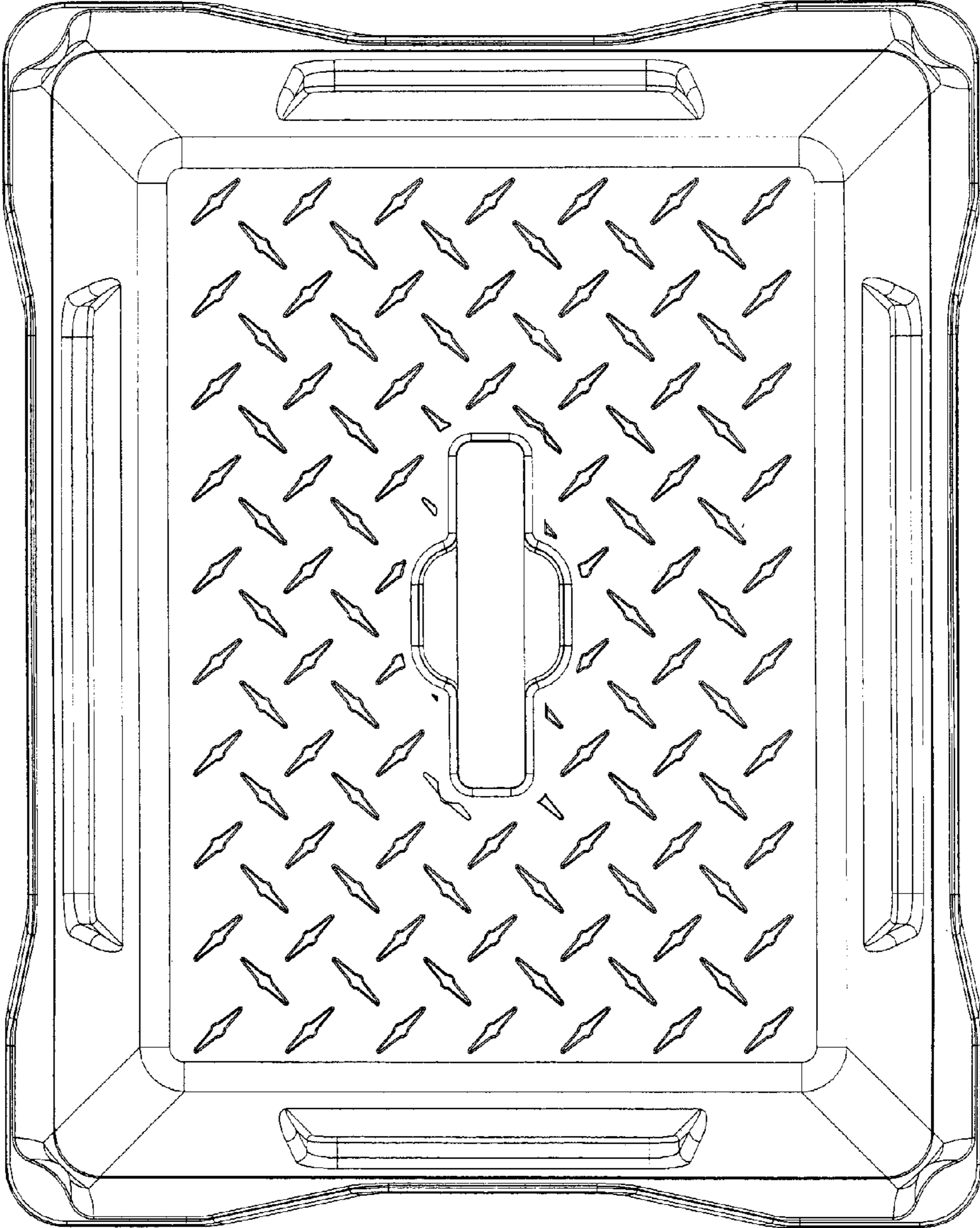


Fig. 4

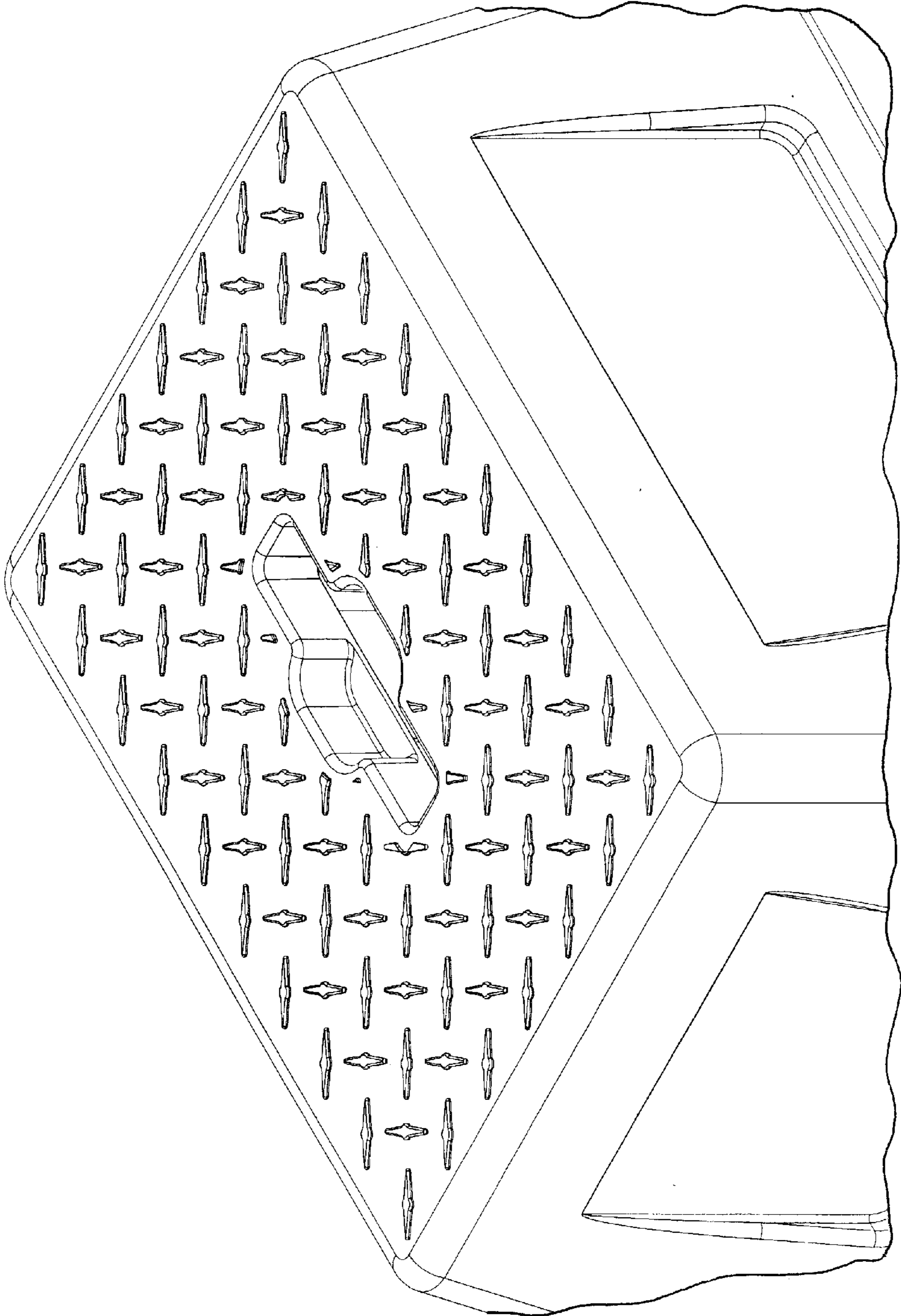


Fig. 5

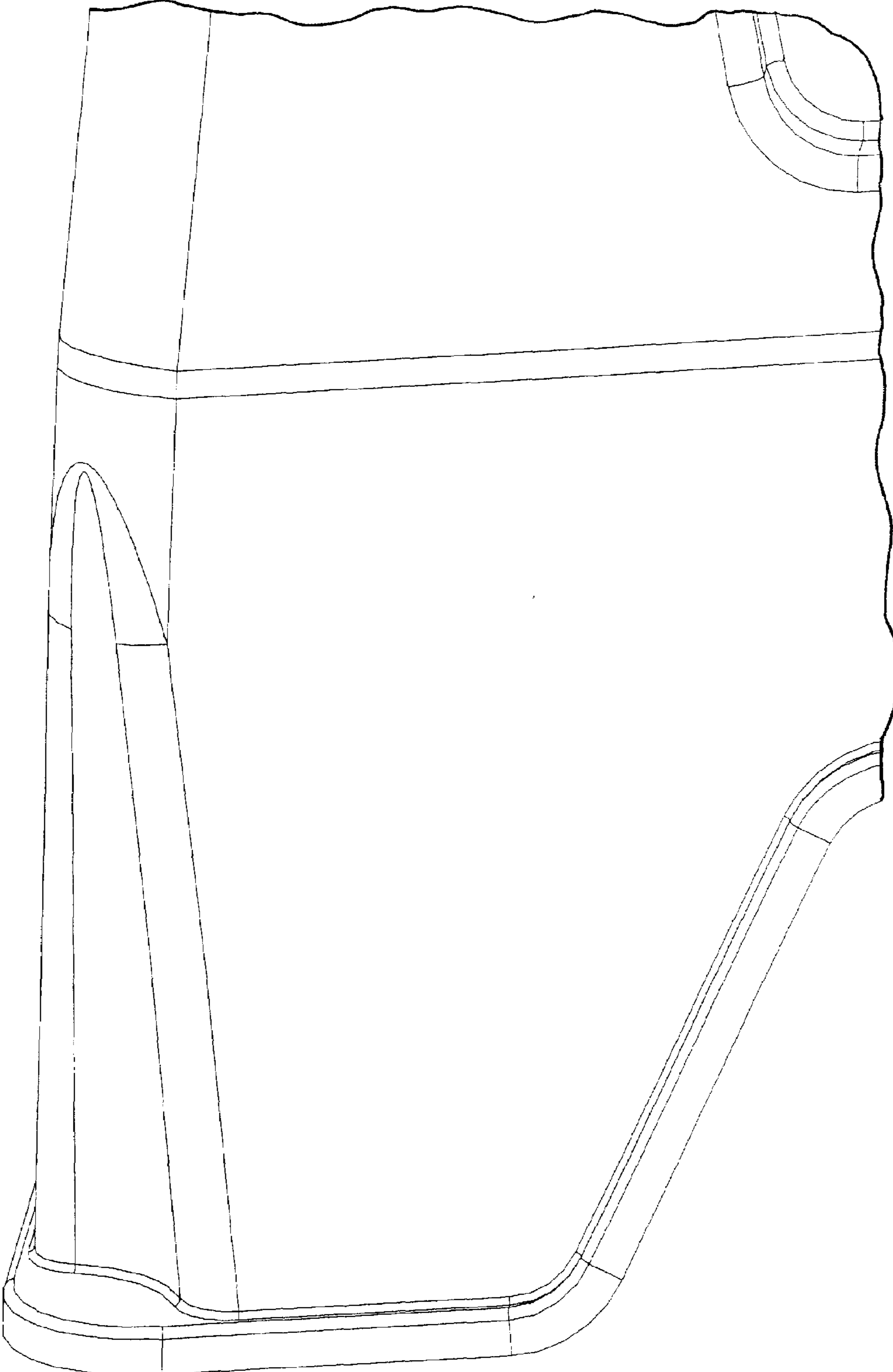


Fig. 6