



US00D609921S

(12) **United States Design Patent**
Lee

(10) **Patent No.:** **US D609,921 S**
(45) **Date of Patent:** **** Feb. 16, 2010**

(54) **BRUSH ATTACHABLE DUST REMOVER**

D549,463 S * 8/2007 Potempa et al. D4/138
D577,203 S * 9/2008 Meyer D4/129

(76) Inventor: **Pil Hee Lee**, 48-4 Naechu-ri,
Bugi-myeong, Cheongwon-gun,
Chungcheongbuk-do (KR) 363-922

FOREIGN PATENT DOCUMENTS

(**) Term: **14 Years**

KR 184798 S * 10/1996
KR 30-0229091 S * 5/2002
KR 30-0391550 S * 9/2005

(21) Appl. No.: **29/335,954**

* cited by examiner

(22) Filed: **Apr. 24, 2009**

Primary Examiner—Melanie H Tung
Assistant Examiner—Lavone D Tabor

(30) **Foreign Application Priority Data**

(74) *Attorney, Agent, or Firm*—IPLA P.A.; James E. Bame

Mar. 26, 2009 (KR) 30-2009-0012825

(57) **CLAIM**

(51) **LOC (9) Cl.** **04-01**

The ornamental design for a brush attachable dust remover, as shown and described.

(52) **U.S. Cl.** **D4/138; D32/51**

(58) **Field of Classification Search** D4/114,
D4/129, 132, 134, 137, 138; D32/40, 45,
D32/50-52; 15/143.1, 146, 147.1, 147.2,
15/159.1, 160, 209.1, 210.1, 228, 229.1-229.4;
D8/107, 307, 308; D28/63; 401/6, 272,
401/283

DESCRIPTION

See application file for complete search history.

FIG. 1 is a perspective view of my new design;
FIG. 2 is a front elevational view thereof, the rear elevational view being a mirror image;
FIG. 3 is a left side elevational view thereof;
FIG. 4 is a right side elevational view thereof; and,
FIG. 5 is a top plan view thereof.

(56) **References Cited**

U.S. PATENT DOCUMENTS

D549,411 S * 8/2007 McNeeley et al. D32/45

1 Claim, 3 Drawing Sheets

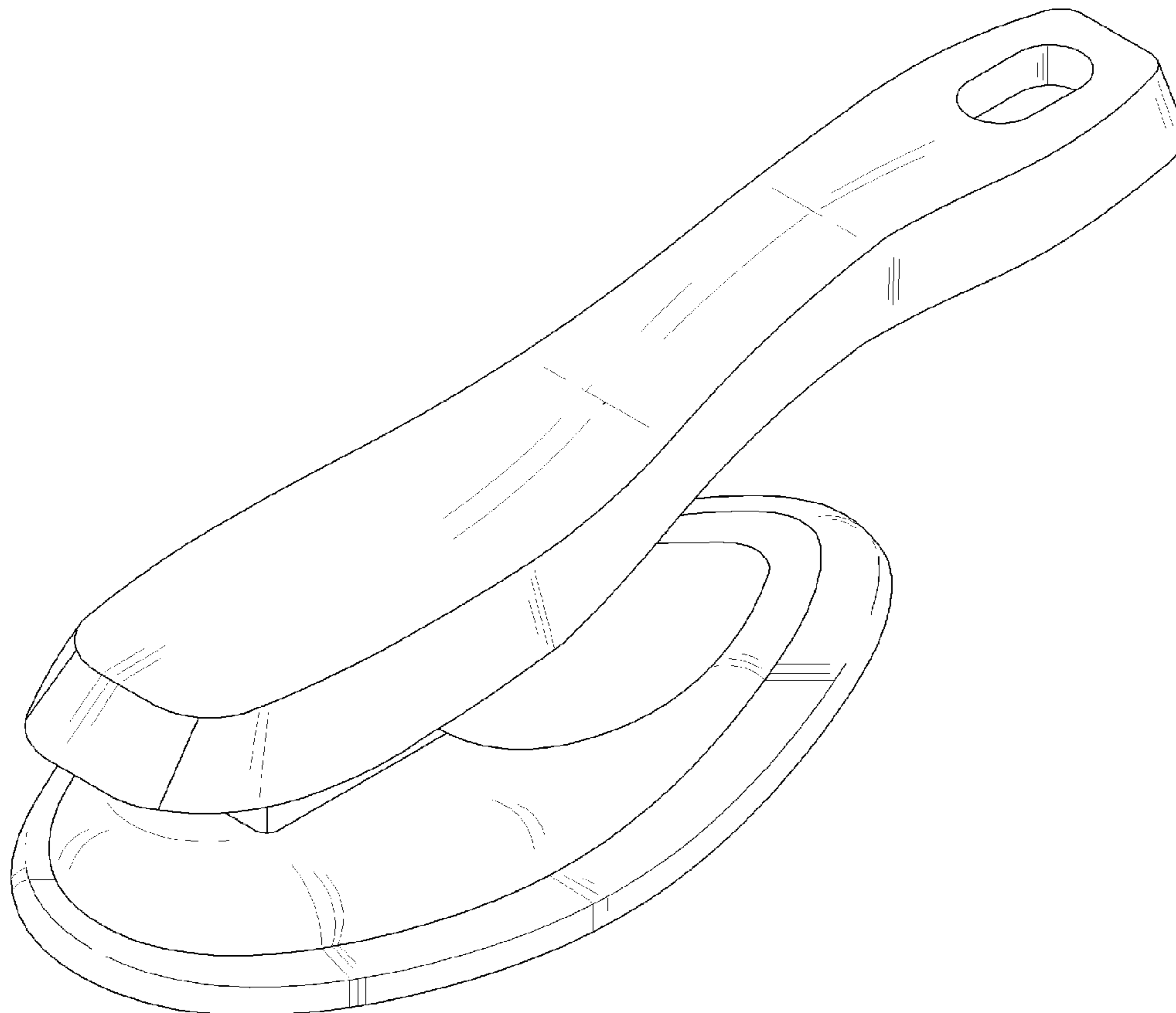


FIG. 1

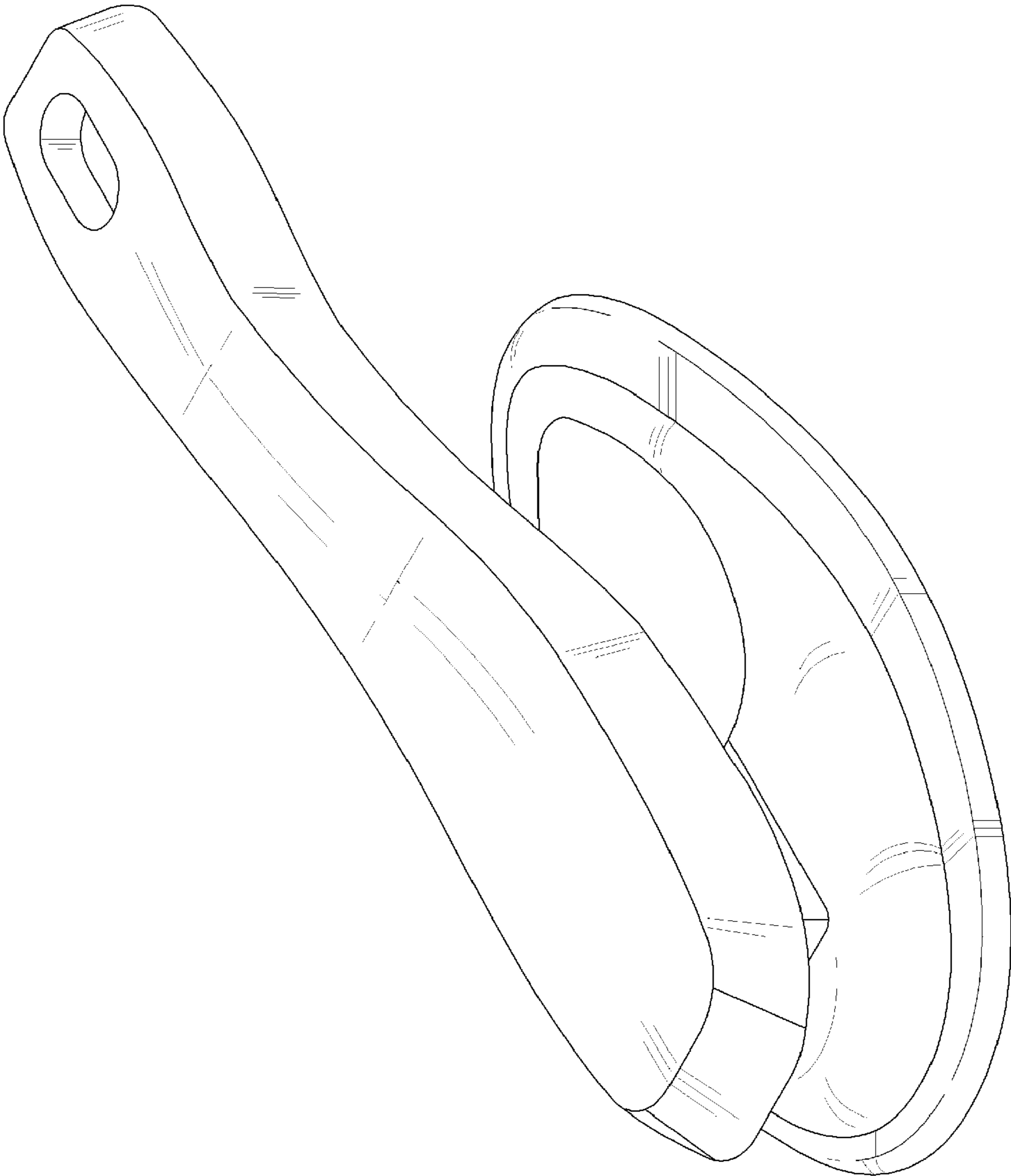


FIG. 2

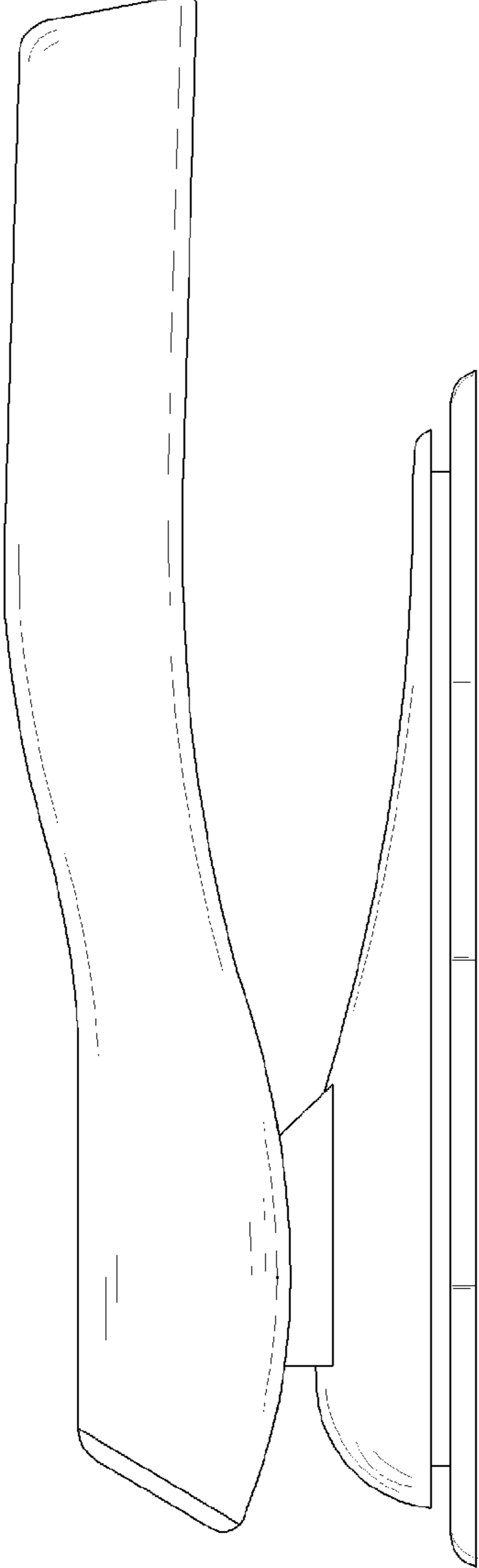


FIG. 4

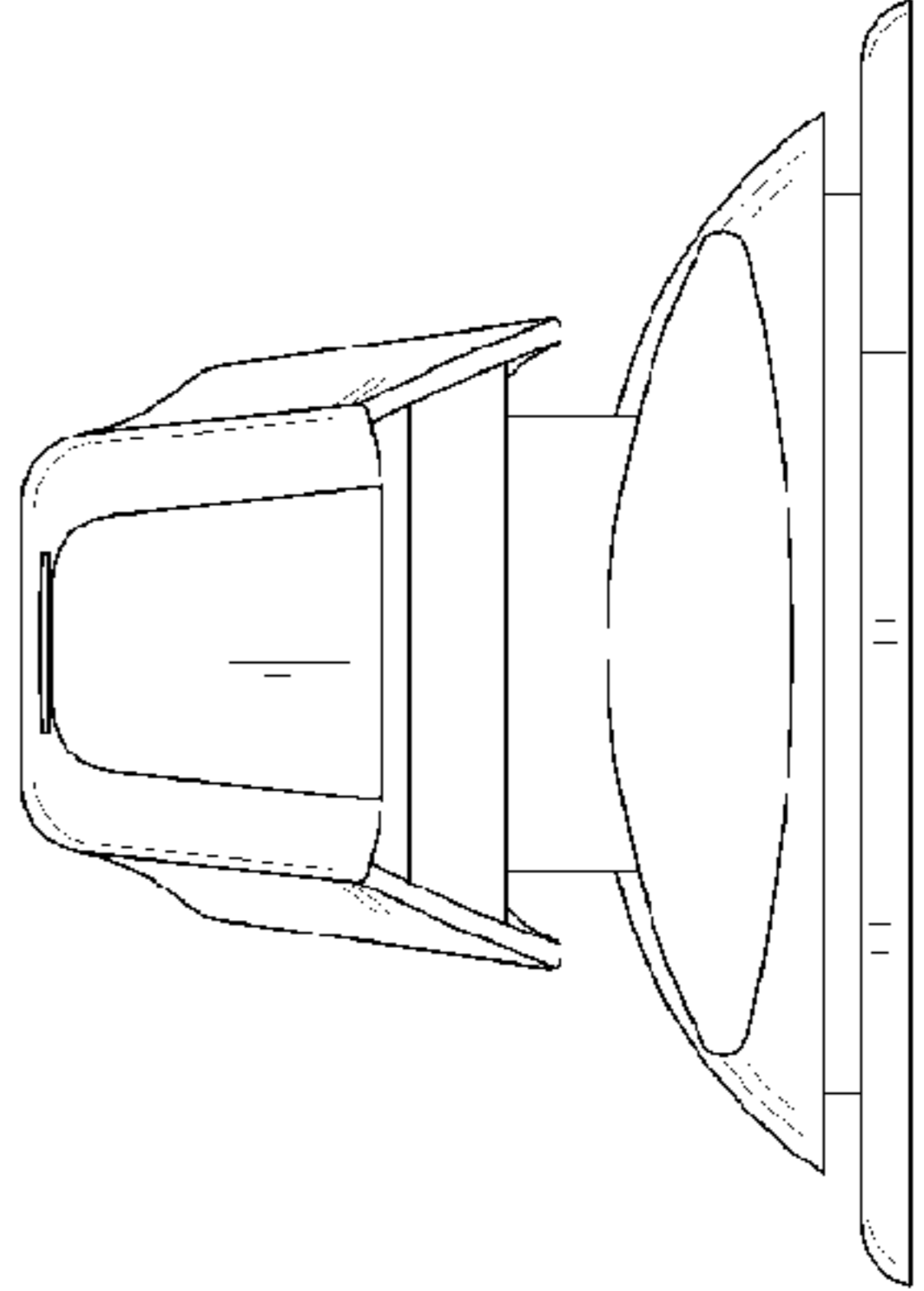


FIG. 3

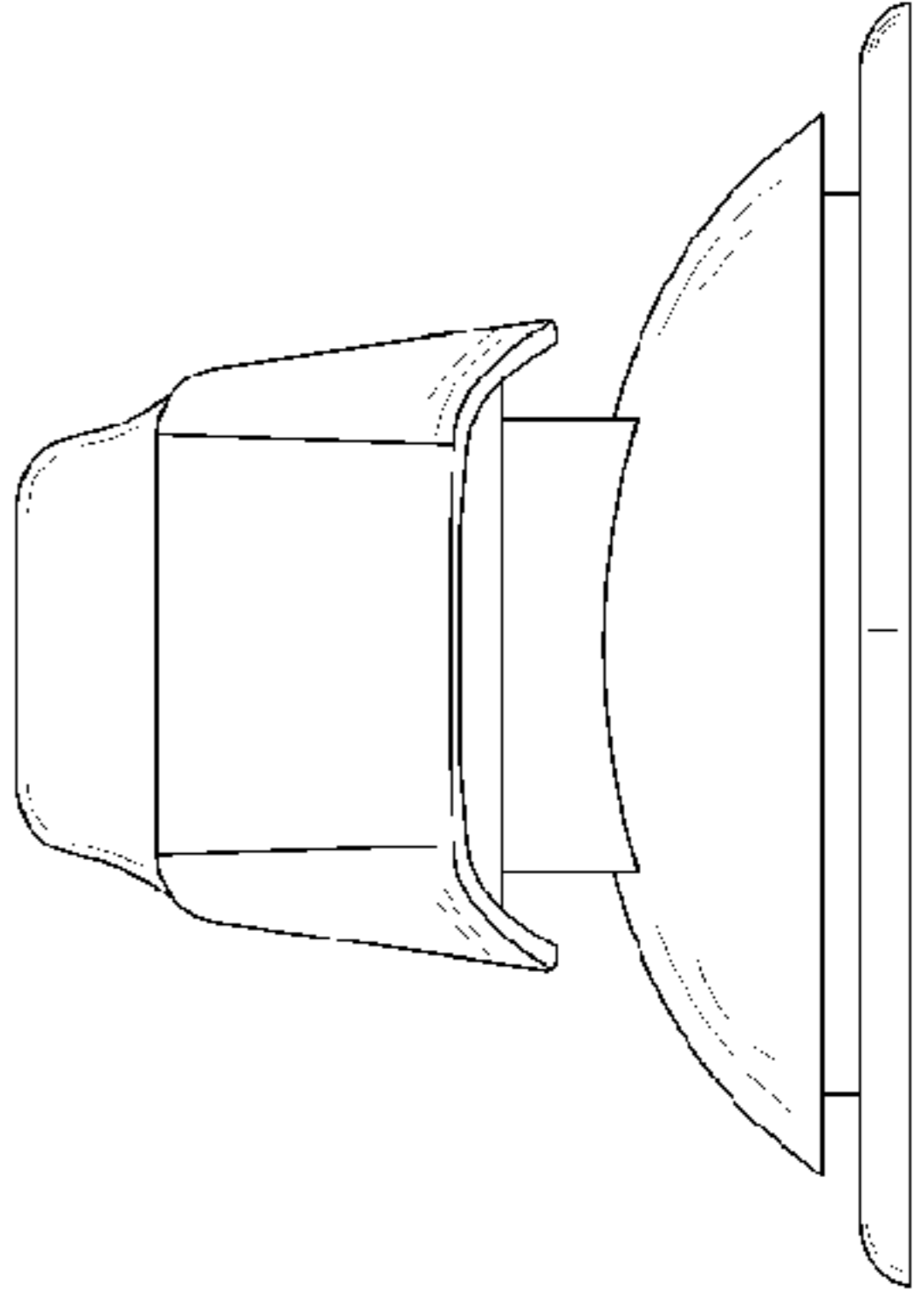


FIG. 5

