



US00D609920S

(12) **United States Design Patent**
Lee

(10) **Patent No.:** **US D609,920 S**
(45) **Date of Patent:** **** Feb. 16, 2010**

(54) **BRUSH ATTACHABLE DUST REMOVER**

D311,645 S * 10/1990 Warwick et al. D4/115
5,551,115 A * 9/1996 Neville 15/172

(76) Inventor: **Pil Hee Lee**, 48-4 Naechu-ri,
Bugi-myeong, Cheongwon-gu,
Chungcheongbuk-do (KR) 363-922

FOREIGN PATENT DOCUMENTS

JP 06154145 A * 6/1994
KR 2000-0000831 S * 6/2000
KR 30-0331981 S * 1/2004

(**) Term: **14 Years**

* cited by examiner

(21) Appl. No.: **29/335,953**

Primary Examiner—Melanie H Tung

Assistant Examiner—Lavone D Tabor

(22) Filed: **Apr. 24, 2009**

(74) *Attorney, Agent, or Firm*—IPLA P.A.; James E. Bame

(30) **Foreign Application Priority Data**

Mar. 26, 2009 (KR) 30-2009-0012824

(57) **CLAIM**

The ornamental design for a brush attachable dust remover, as shown and described.

(51) **LOC (9) Cl.** **04-01**

(52) **U.S. Cl.** **D4/138; D32/51**

(58) **Field of Classification Search** D4/132,
D4/134, 138; D32/40, 50, 51; 15/143.1,
15/146, 147.1, 147.2, 159.1, 160, 172, 209.1,
15/210.1, 228, 229.1, 229.6–229.8; D8/107;
16/431, DIG. 18

DESCRIPTION

FIG. 1 is a perspective view of my new design;
FIG. 2 is a side elevational view thereof, the other side being
a mirror image;
FIG. 3 is a front elevational view thereof;
FIG. 4 is a rear elevational view thereof; and,
FIG. 5 is a top plan view thereof.

See application file for complete search history.

(56) **References Cited**

U.S. PATENT DOCUMENTS

3,782,837 A * 1/1974 Feldmann 401/281

1 Claim, 4 Drawing Sheets

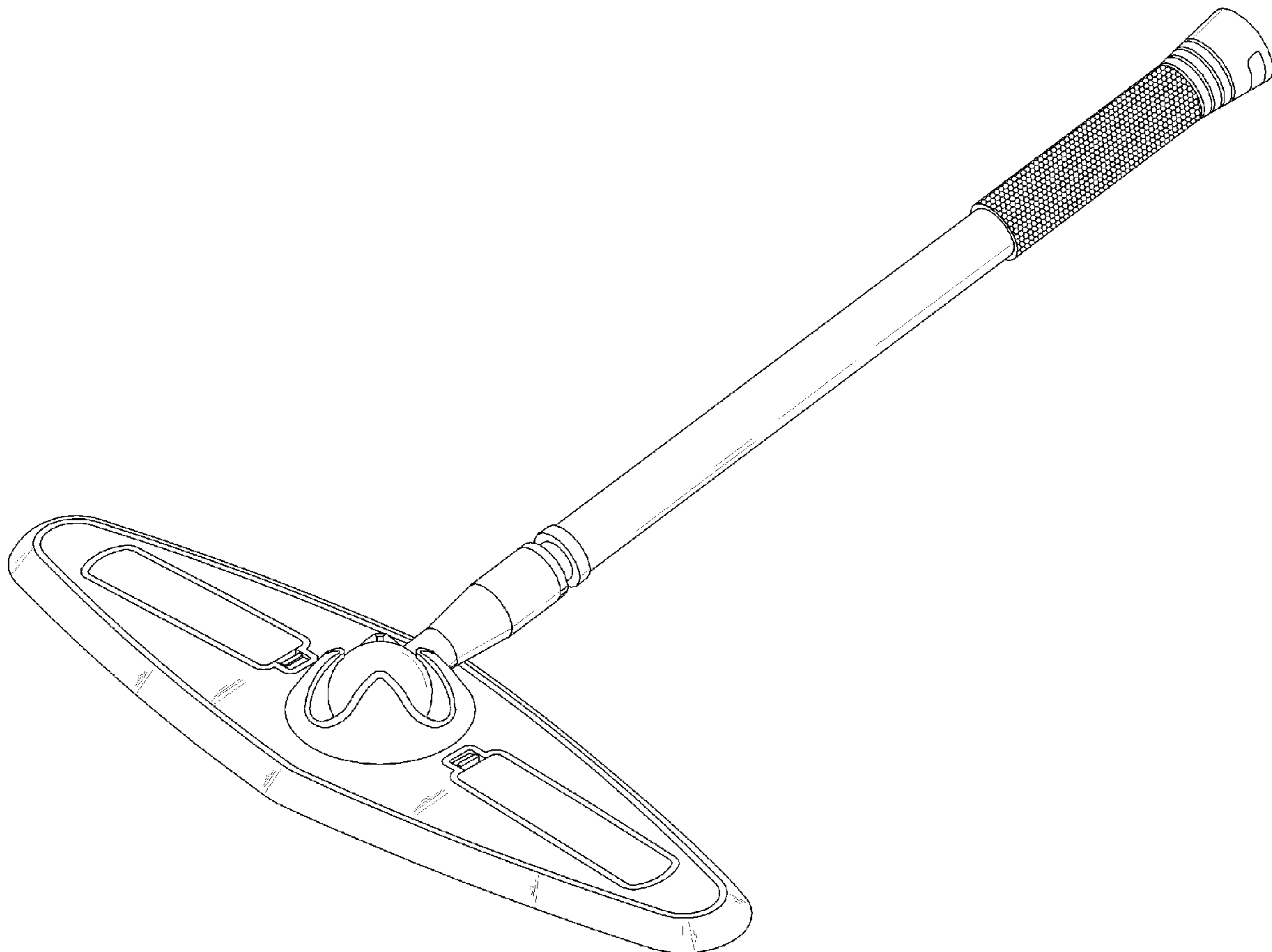


FIG. 1

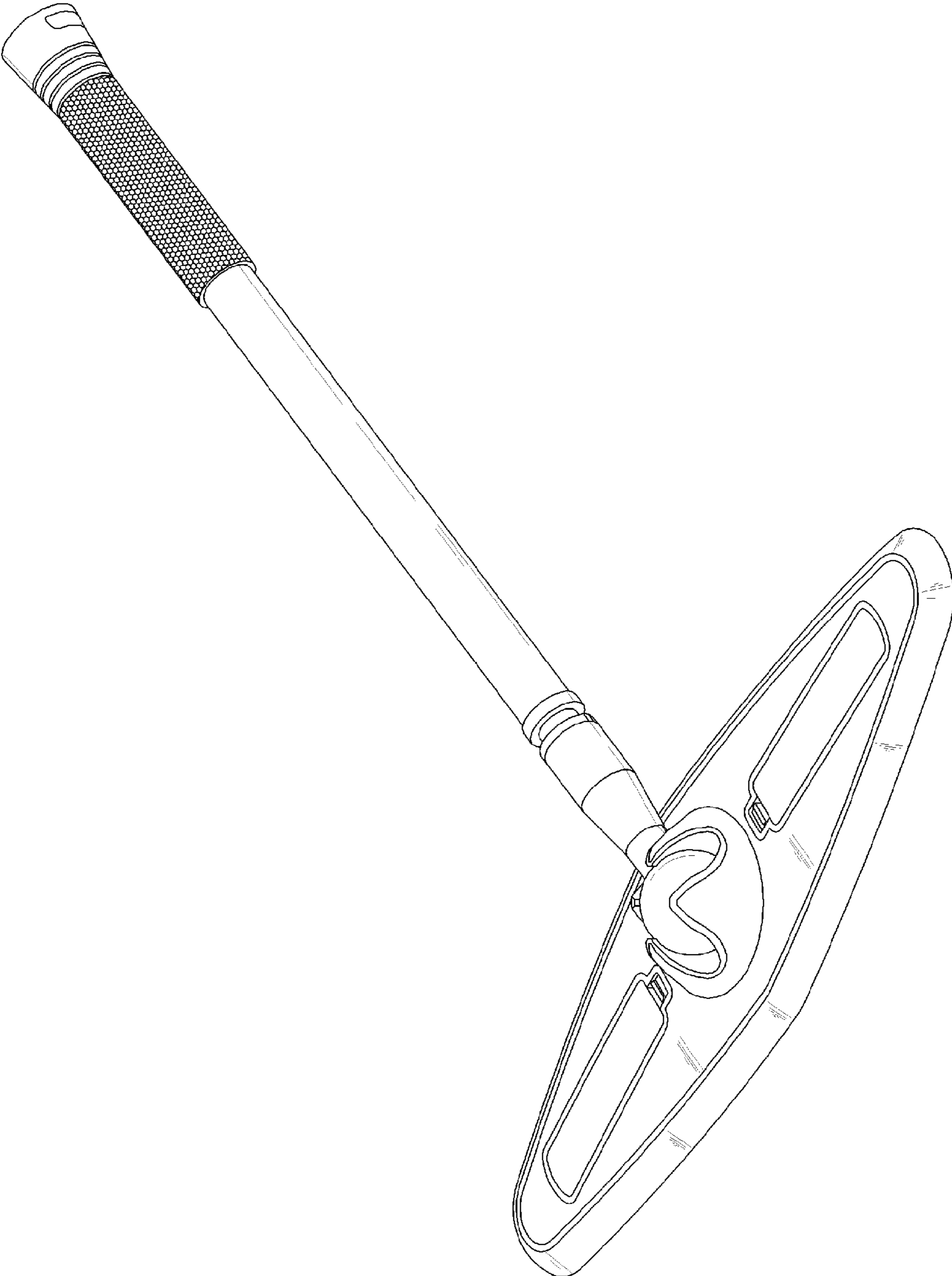


FIG. 2

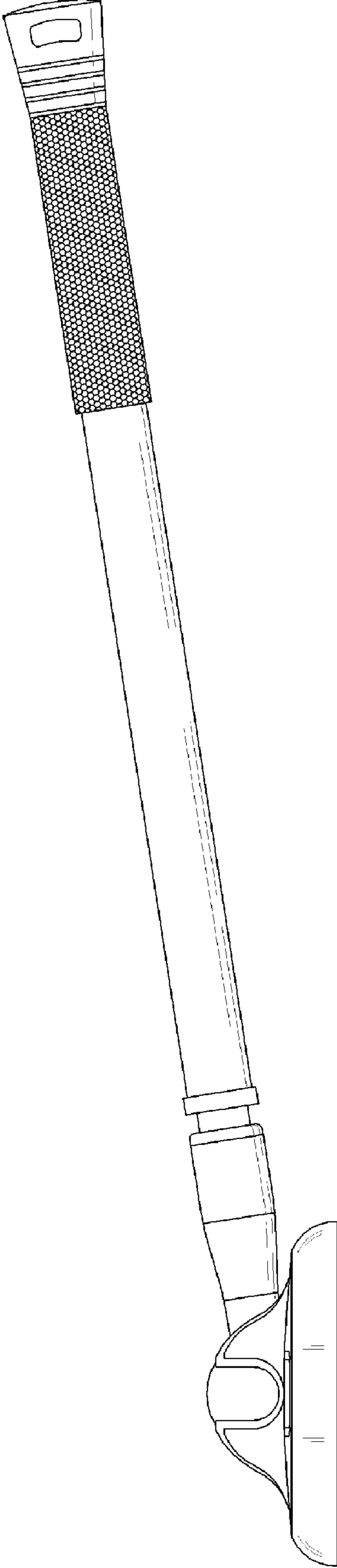


FIG. 3

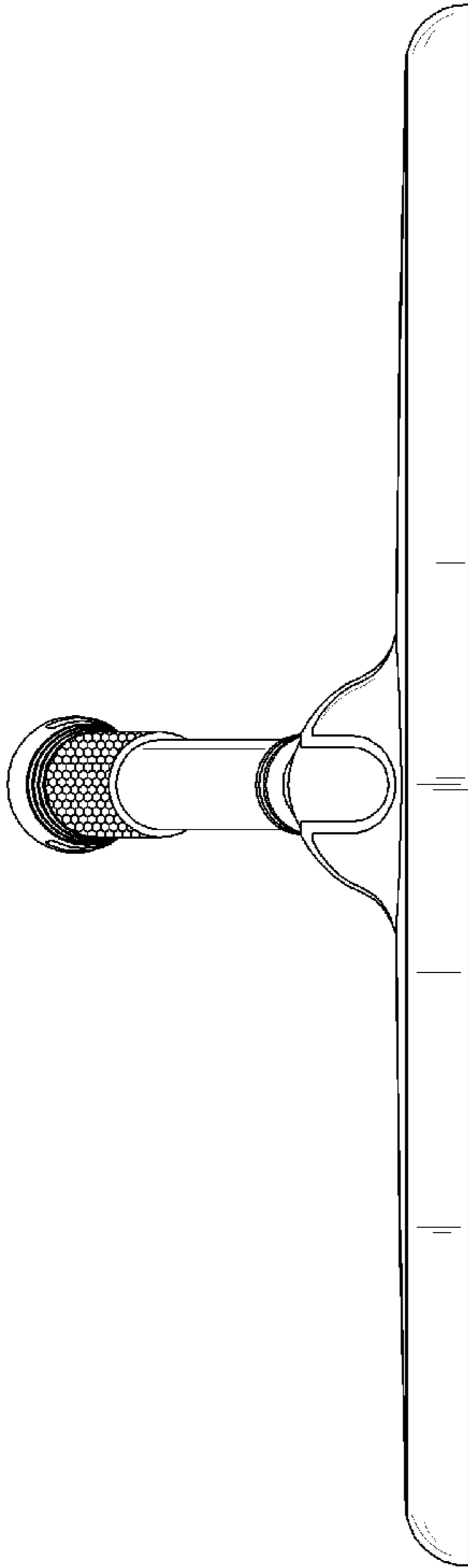


FIG. 4

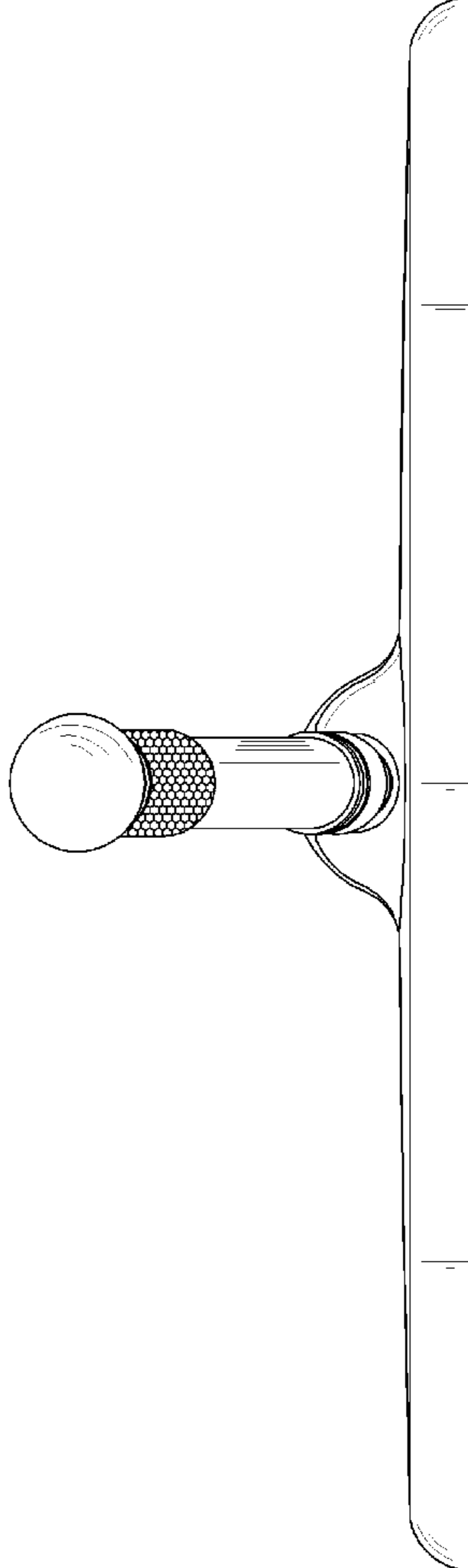


FIG. 5

