

US00D609919S

(12) **United States Design Patent**  
**Lee**

(10) **Patent No.:** **US D609,919 S**  
(45) **Date of Patent:** **\*\* Feb. 16, 2010**

(54) **BRUSH ATTACHABLE DUST REMOVER**

7,181,800 B2 \* 2/2007 Lee ..... 15/229.4  
2005/0229350 A1 \* 10/2005 Lee ..... 15/229.2

(76) Inventor: **Pil Hee Lee**, 48-4 Naechu-ri,  
Bugi-myeong, Cheongwon-gun,  
Chungcheongbuk-do (KR) 363-922

**FOREIGN PATENT DOCUMENTS**

JP 2005040470 A \* 2/2005  
KR 30-0339870 S \* 11/2003  
KR 30-0391550 S \* 9/2005

(\*\*) Term: **14 Years**

\* cited by examiner

(21) Appl. No.: **29/335,952**

*Primary Examiner*—Melanie H Tung

*Assistant Examiner*—Lavone D Tabor

(22) Filed: **Apr. 24, 2009**

(74) *Attorney, Agent, or Firm*—IPLA P.A.; James E. Bame

(30) **Foreign Application Priority Data**

Mar. 26, 2009 (KR) ..... 30-2009-0012823

(57) **CLAIM**

(51) **LOC (9) Cl.** ..... **04-01**

The ornamental design for a brush attachable dust remover, as shown and described.

(52) **U.S. Cl.** ..... **D4/138; D32/51**

(58) **Field of Classification Search** ..... D4/132,  
D4/134, 138; D32/40, 50, 51; 15/143.1,  
15/146, 147.1, 147.2, 159.1, 160, 209.1,  
15/210.1, 228, 229.1–229.4; D8/107; 16/431,  
16/DIG. 18

**DESCRIPTION**

FIG. 1 is a perspective view of my new design;  
FIG. 2 is a front elevational view thereof, the rear elevational view being a mirror image;  
FIG. 3 is a left side elevational view thereof;  
FIG. 4 is a right side elevational view thereof; and,  
FIG. 5 is a top plan view thereof.

See application file for complete search history.

(56) **References Cited**

**U.S. PATENT DOCUMENTS**

3,395,416 A \* 8/1968 Hughes ..... 15/228

**1 Claim, 3 Drawing Sheets**

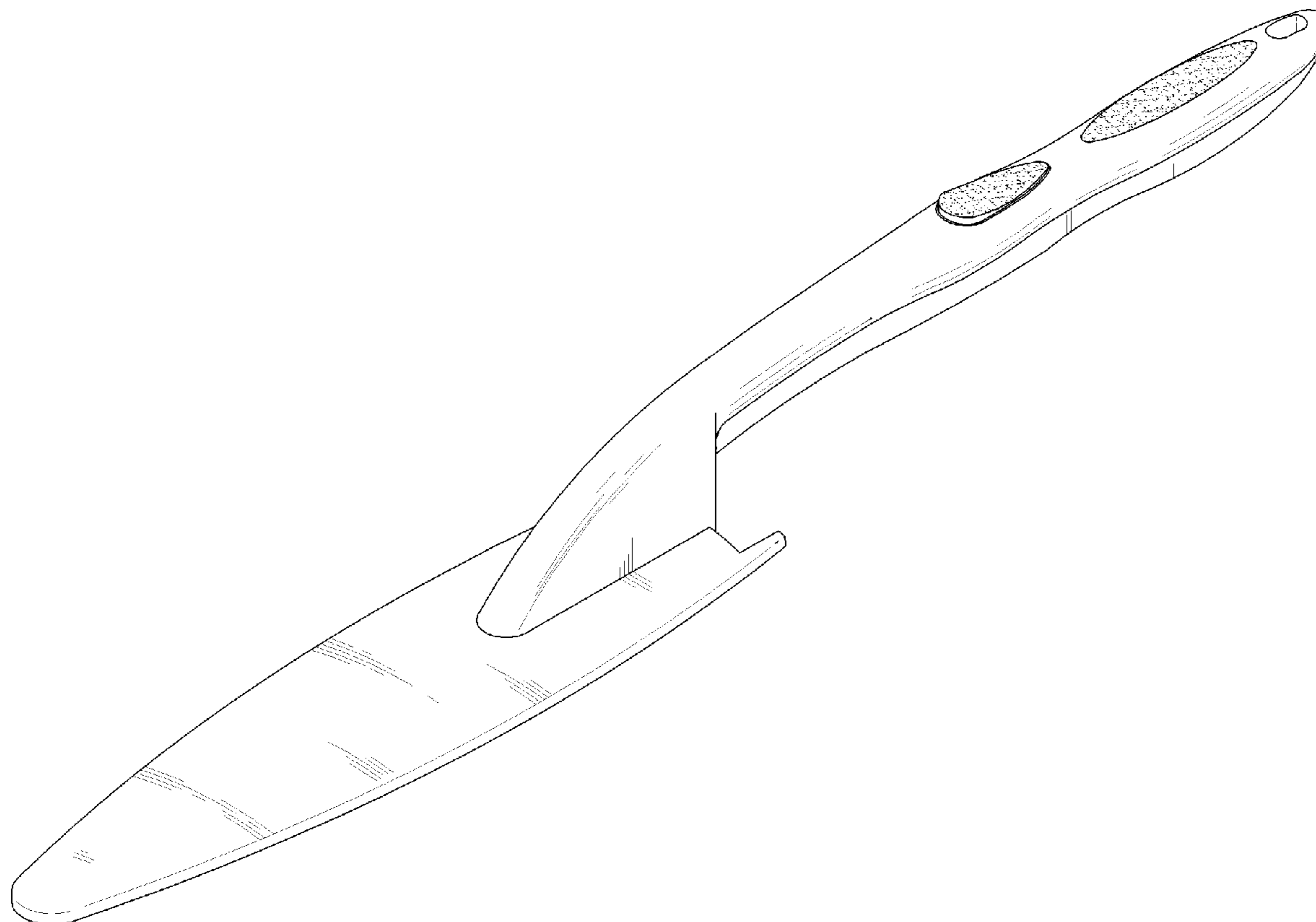


FIG. 1

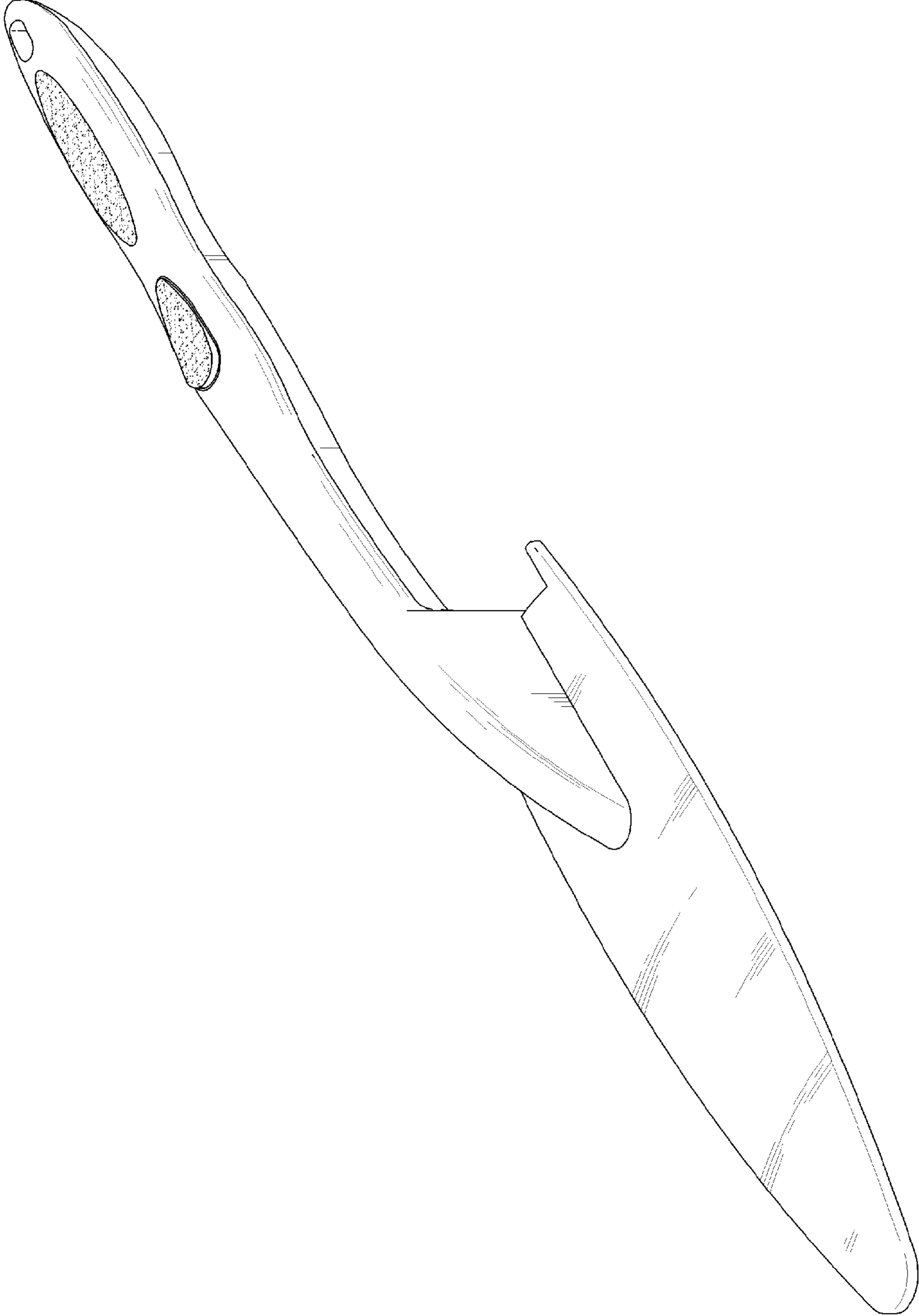


FIG. 2

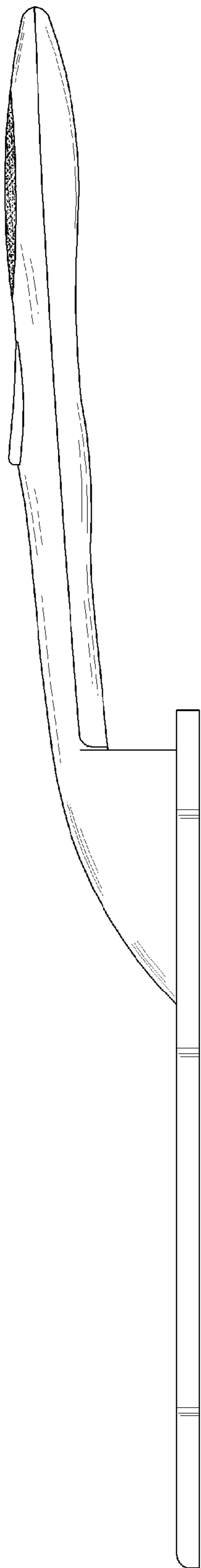


FIG. 3

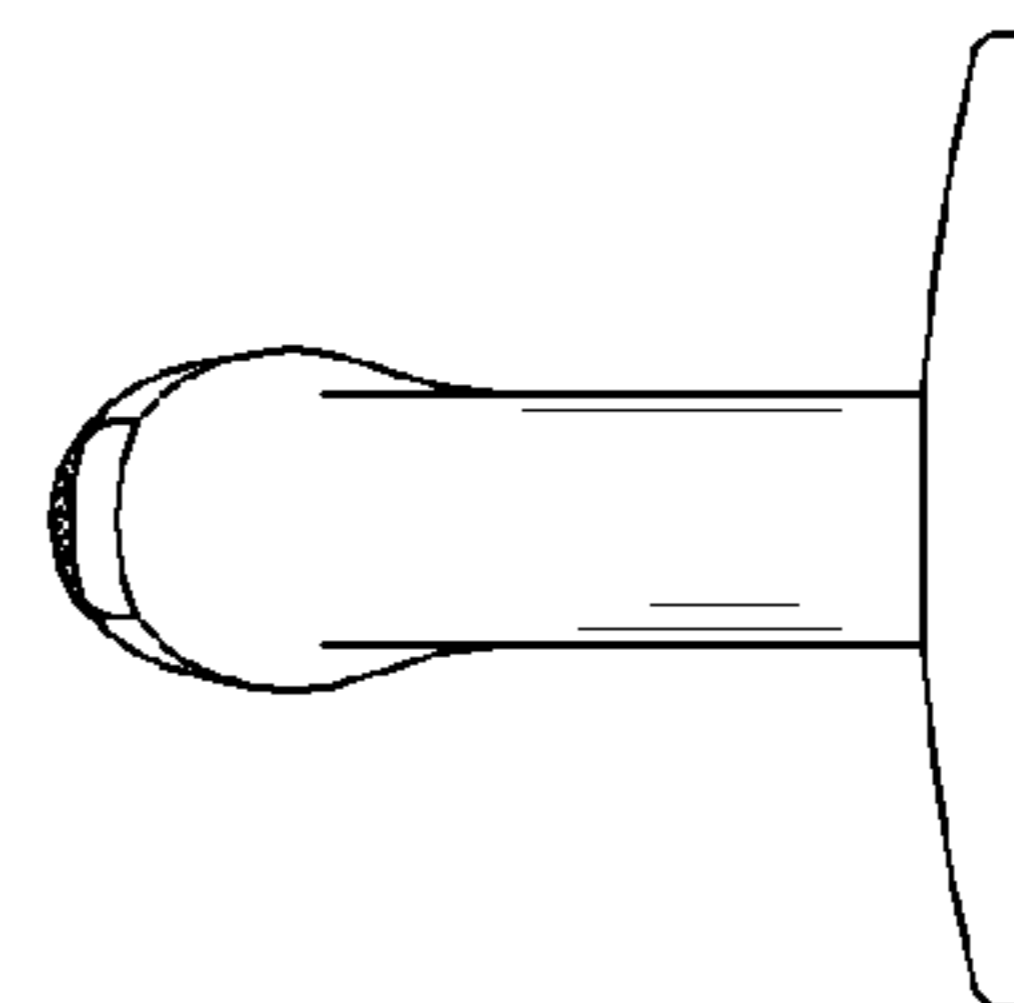


FIG. 4

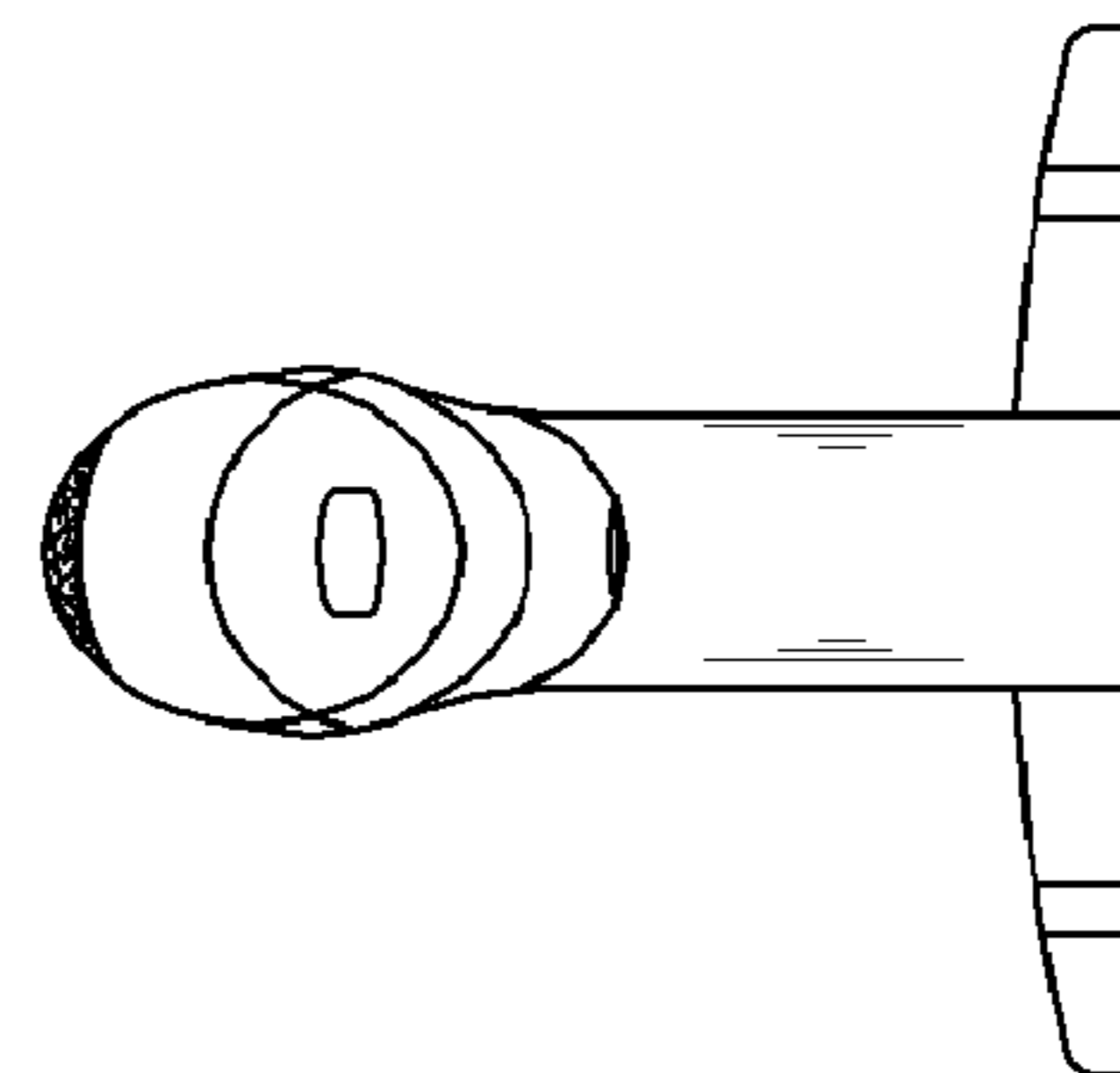


FIG. 5

