



US00D609918S

(12) **United States Design Patent**  
**Lee**

(10) **Patent No.:** **US D609,918 S**  
(45) **Date of Patent:** **\*\* Feb. 16, 2010**

(54) **BRUSH ATTACHABLE DUST REMOVER**

2005/0229350 A1\* 10/2005 Lee ..... 15/229.2

(76) Inventor: **Pil Hee Lee**, 48-4 Naechu-ri,  
Bugi-myeong, Cheongwon-gun,  
Chungcheongbuk-do (KR) 363-922

**FOREIGN PATENT DOCUMENTS**

KR 146743 S \* 1/1994  
KR 160299 S \* 3/1995  
KR 30-0339870 S \* 12/2003

(\*\*) Term: **14 Years**

\* cited by examiner

(21) Appl. No.: **29/335,951**

*Primary Examiner*—Melanie H Tung

*Assistant Examiner*—Lavone D Tabor

(22) Filed: **Apr. 24, 2009**

(74) *Attorney, Agent, or Firm*—IPLA P.A.; James E. Bame

(30) **Foreign Application Priority Data**

(57) **CLAIM**

Mar. 16, 2009 (KR) ..... 30-2009-0011055

The ornamental design for a brush attachable dust remover, as shown and described.

(51) **LOC (9) Cl.** ..... **04-01**

(52) **U.S. Cl.** ..... **D4/138; D32/51**

(58) **Field of Classification Search** ..... D4/126,  
D4/132, 134, 138; D32/40, 50, 51; 15/143.1,  
15/146, 147.1, 147.2, 159.1, 160, 209.1,  
15/210.1, 228, 229.1–229.4; D8/107

**DESCRIPTION**

FIG. 1 is a perspective view of my new design;  
FIG. 2 is a front elevational view thereof, the rear elevational view being a mirror image;  
FIG. 3 is a left side elevational view thereof;  
FIG. 4 is a right side elevational view thereof; and,  
FIG. 5 is a top plan view thereof.

See application file for complete search history.

(56) **References Cited**

**U.S. PATENT DOCUMENTS**

7,181,800 B2\* 2/2007 Lee ..... 15/229.4

**1 Claim, 3 Drawing Sheets**

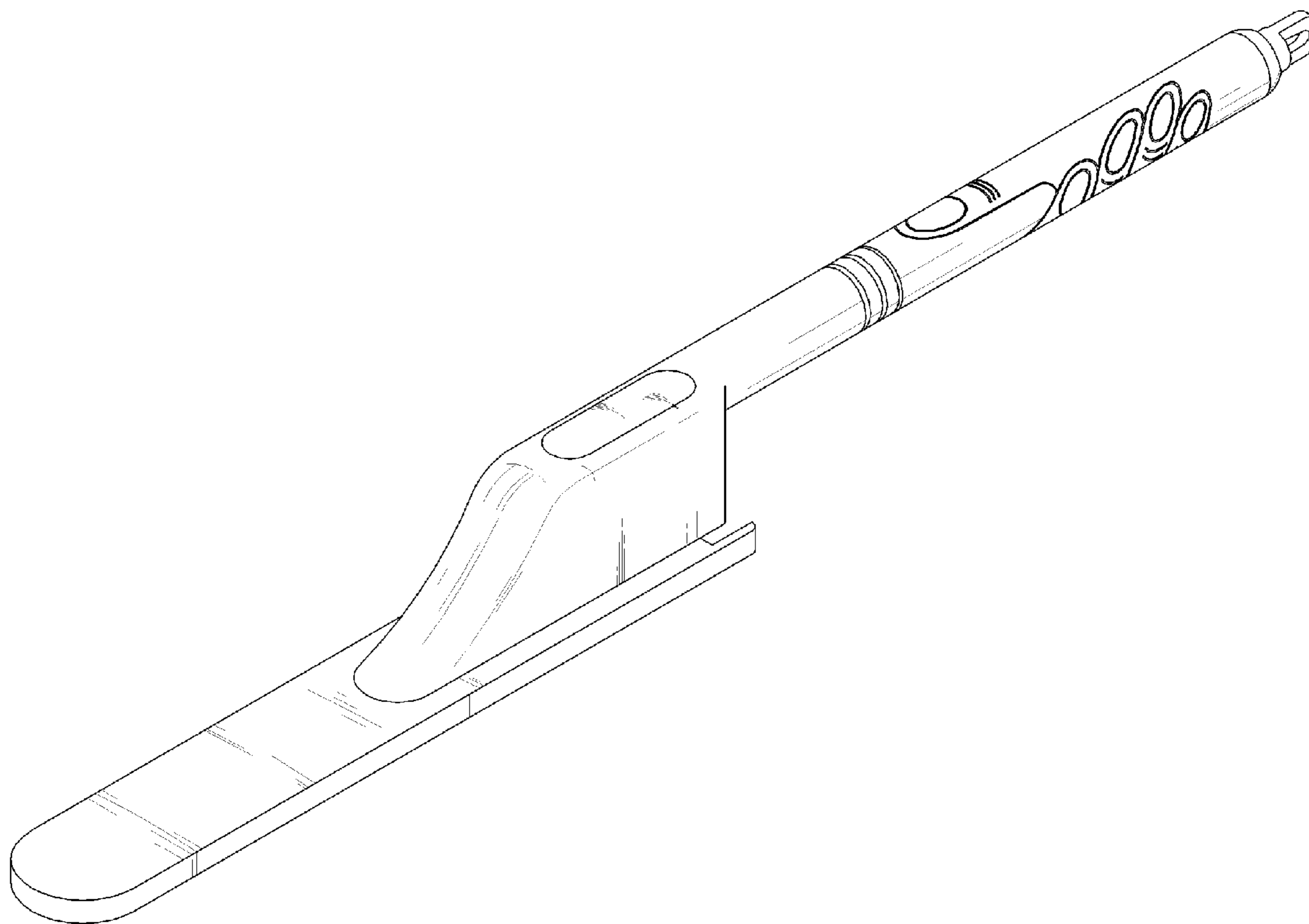


FIG. 1

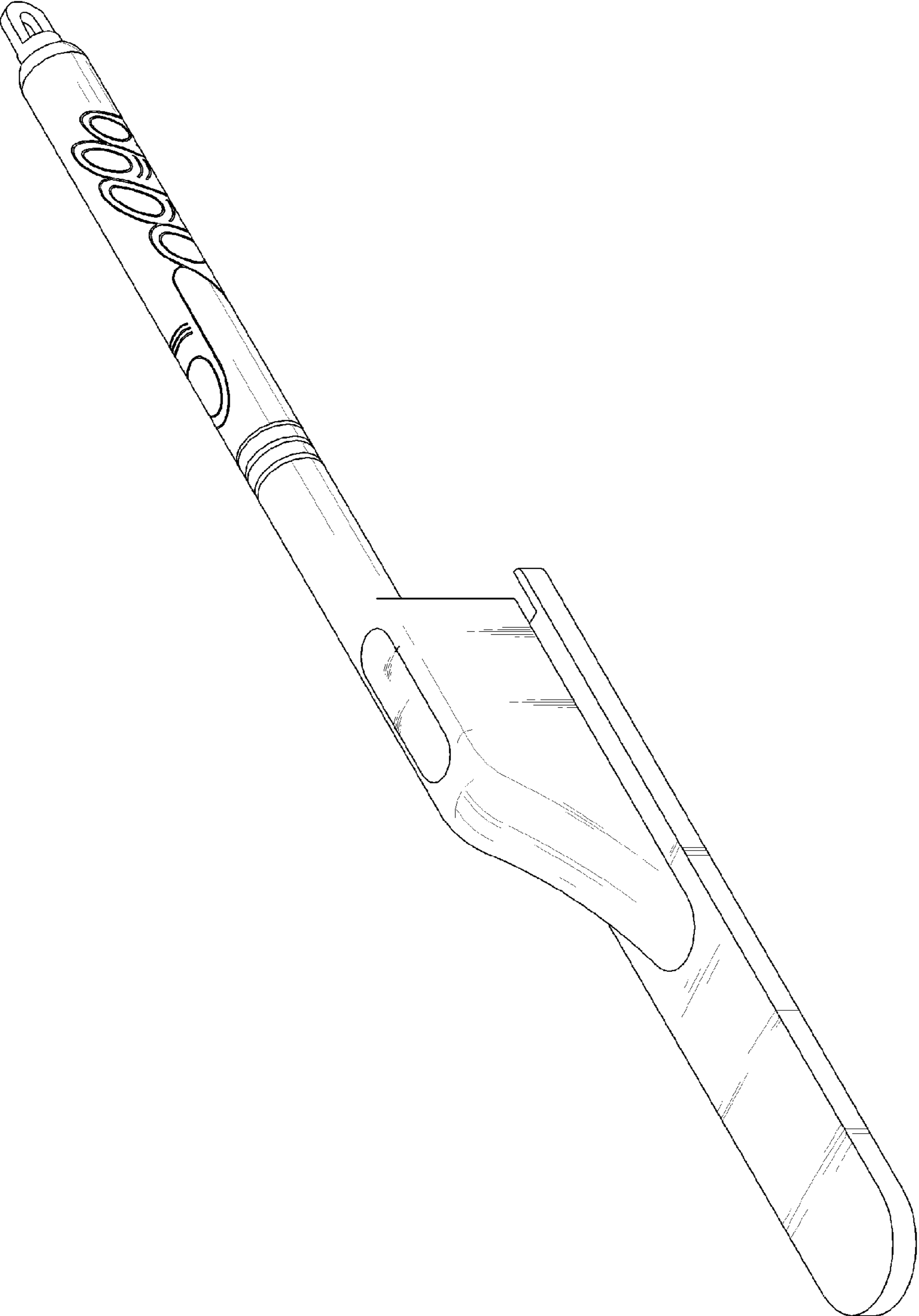


FIG. 2

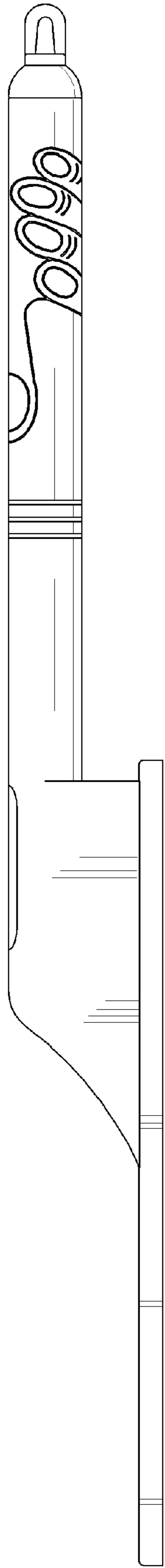


FIG. 3

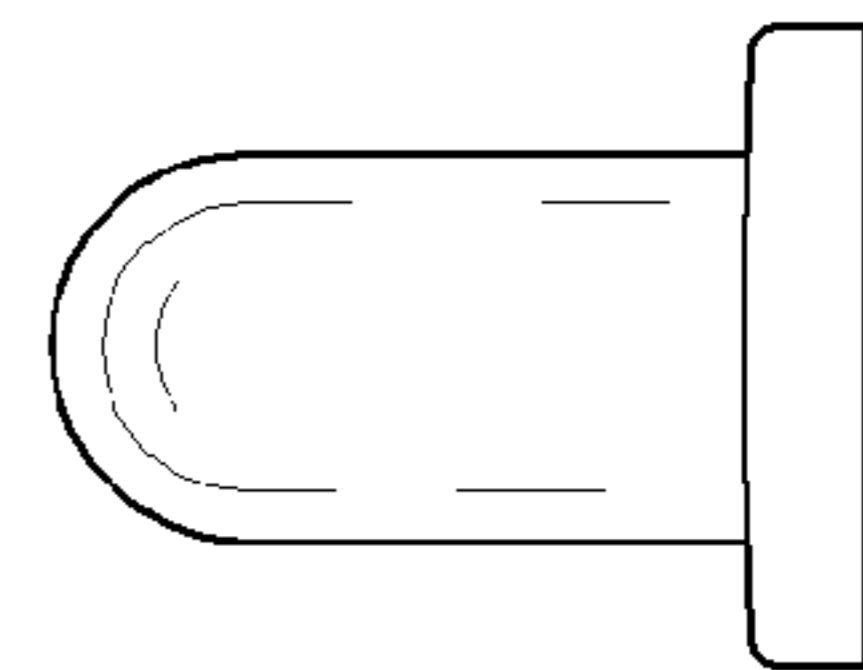


FIG. 4

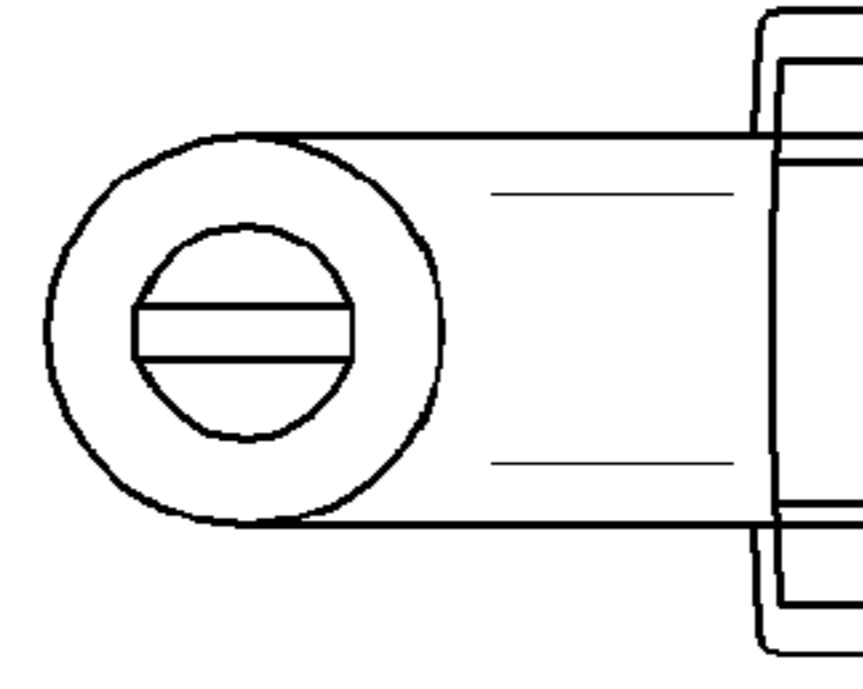


FIG. 5

