



US00D609916S

(12) **United States Design Patent**  
**Benson et al.**

(10) **Patent No.:** **US D609,916 S**

(45) **Date of Patent:** **\*\* Feb. 16, 2010**

(54) **CLEANING TOOL**

(75) Inventors: **Shaelyn D. Benson**, St. Paul, MN (US);  
**Scott D. Gullicks**, Apple Valley, MN  
(US); **Lloyd S. Vasilakes**, Stillwater, MN  
(US); **Scott J. Tuman**, Woodbury, MN  
(US); **Byron E. Trotter**, St. Paul, MN  
(US); **Dana M. Vajen**, Minneapolis, MN  
(US); **Micah T. Somers**, Minneapolis,  
MN (US); **Brian M. Clemens**,  
Burnsville, MN (US)

(73) Assignee: **3M Innovative Properties Company**,  
St. Paul, MN (US)

(\*\*) Term: **14 Years**

(21) Appl. No.: **29/328,407**

(22) Filed: **Nov. 24, 2008**

(51) **LOC (9) Cl.** ..... **14-02**

(52) **U.S. Cl.** ..... **D4/118; D32/35; D4/136**

(58) **Field of Classification Search** ..... D32/35,  
D32/40, 45, 52; D4/116, 114, 121, 127,  
D4/130, 132-133, 136, 138, 119, 137, 118;  
15/105.52, 107, 114, 118, 237, 142, 104.92,  
15/21.1, 320-321, 323, 104.001, 186-188,  
15/231, 111, 117; 401/146, 6, 268, 118,  
401/123, 131, 28; D28/91.2, 51

See application file for complete search history.

(56) **References Cited**

**U.S. PATENT DOCUMENTS**

D182,580 S \* 4/1958 Fredrickson ..... D4/121

D189,848 S \* 3/1961 Otto ..... D28/51

D196,328 S *	9/1963	Braun	.....	D9/420
D226,045 S *	1/1973	Yran	.....	D24/211
D282,689 S *	2/1986	McCormick	.....	D28/91.2
4,859,102 A *	8/1989	Chamieh	.....	401/17
D383,002 S *	9/1997	Rigney	.....	D4/116
D423,229 S *	4/2000	Chen	.....	D4/136
D451,639 S *	12/2001	Lior	.....	D28/10
D451,680 S *	12/2001	Holmes et al.	.....	D4/136
D462,529 S *	9/2002	Best et al.	.....	D4/116
D479,405 S *	9/2003	Bressler et al.	.....	D4/121
D502,785 S *	3/2005	Leventhal	.....	D28/51
D507,407 S *	7/2005	Woods	.....	D4/132
D514,817 S *	2/2006	Huang	.....	D4/121
D521,740 S *	5/2006	Pryor	.....	D4/135
7,107,645 B2 *	9/2006	Bressler et al.	.....	15/105.52
D545,013 S *	6/2007	Santiago	.....	D32/35
D545,014 S *	6/2007	Santiago et al.	.....	D32/35
D545,015 S *	6/2007	Santiago	.....	D32/35
D568,050 S *	5/2008	Huang	.....	D4/120
D594,614 S *	6/2009	Kammer et al.	.....	D32/35

\* cited by examiner

*Primary Examiner*—Cathron C Brooks

*Assistant Examiner*—Austin Murphy

(74) *Attorney, Agent, or Firm*—Trisha D. Adamson

(57) **CLAIM**

The ornamental design for a cleaning tool, as shown and described.

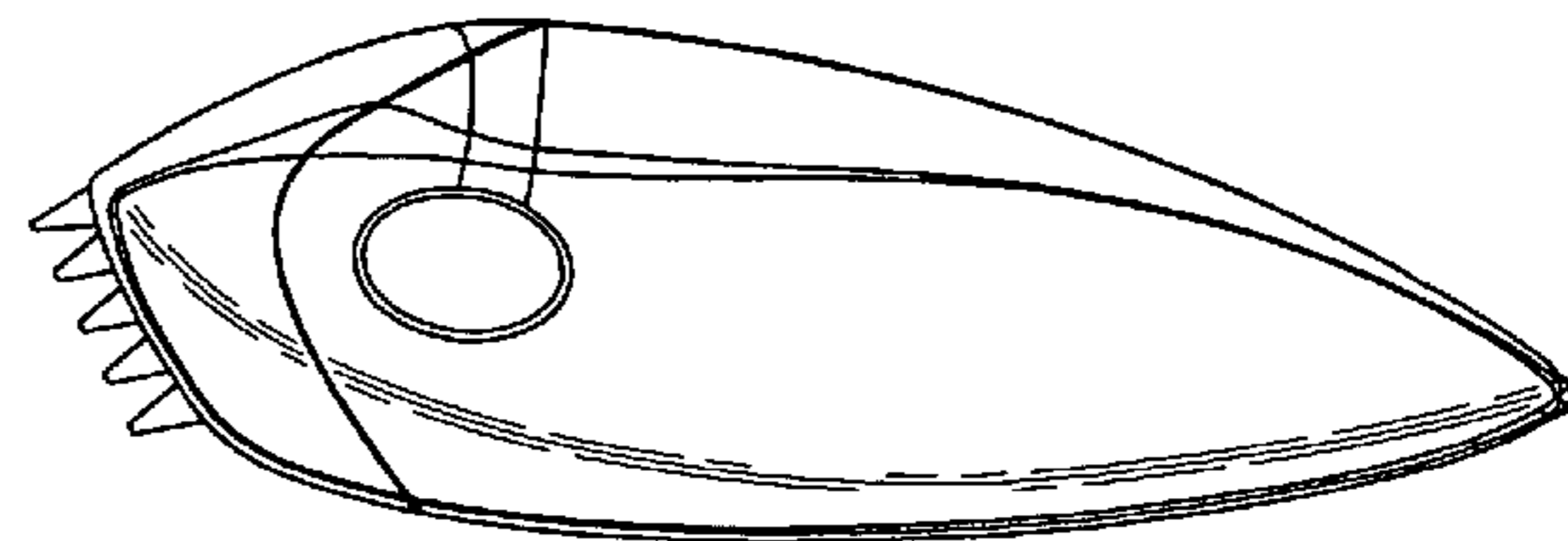
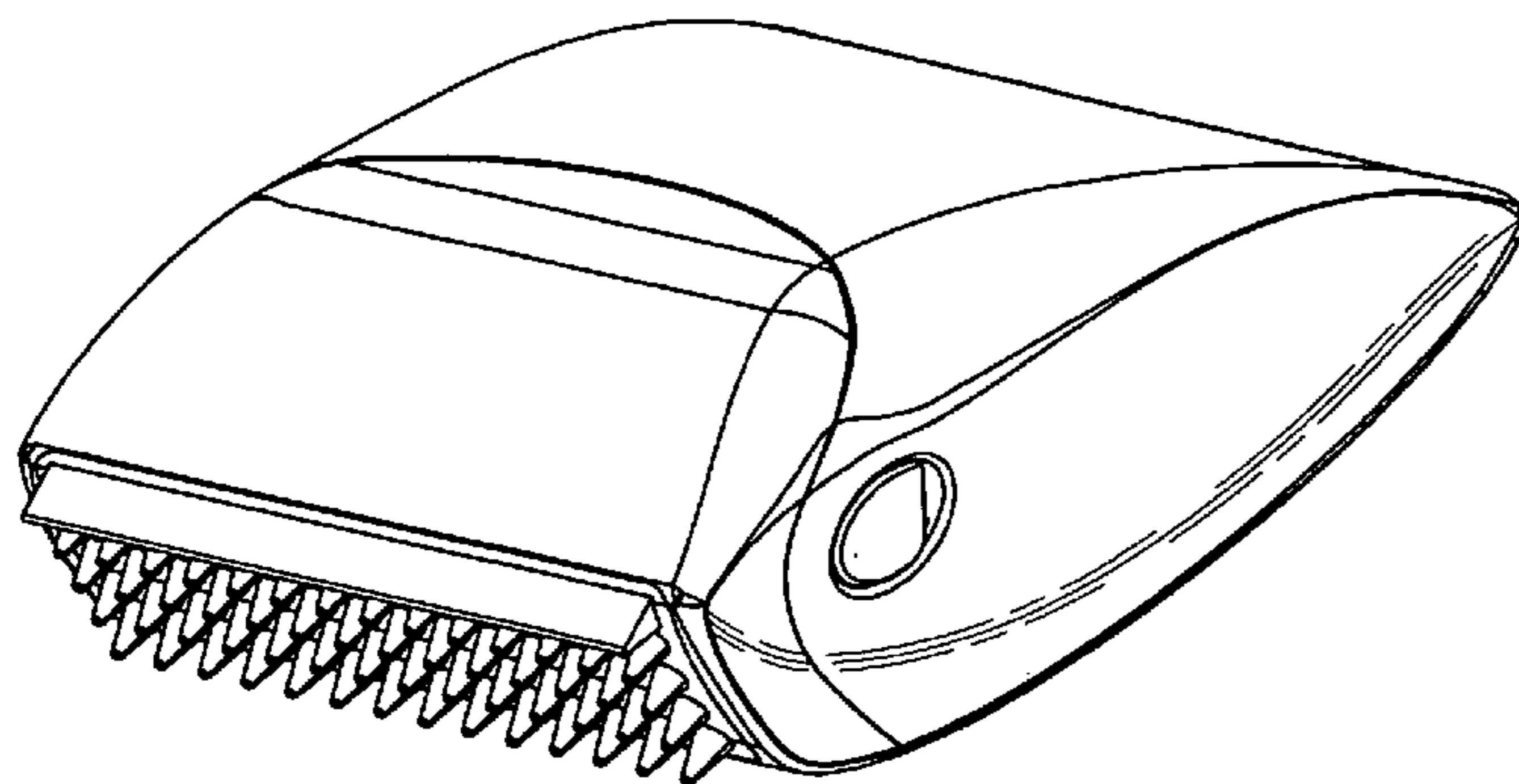
**DESCRIPTION**

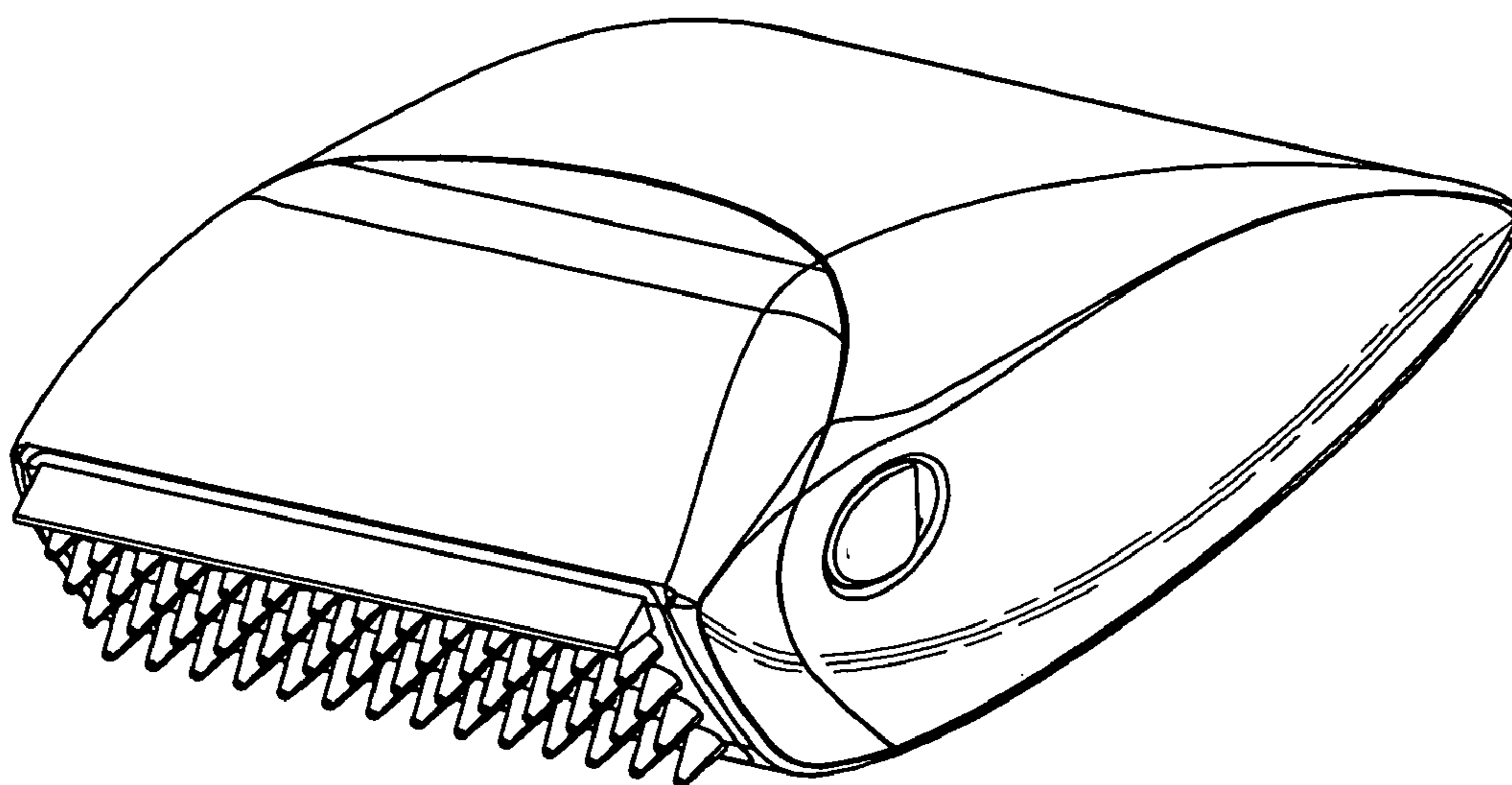
FIG. 1 is a perspective view of for a cleaning tool;

FIG. 2 is a top view thereof; and,

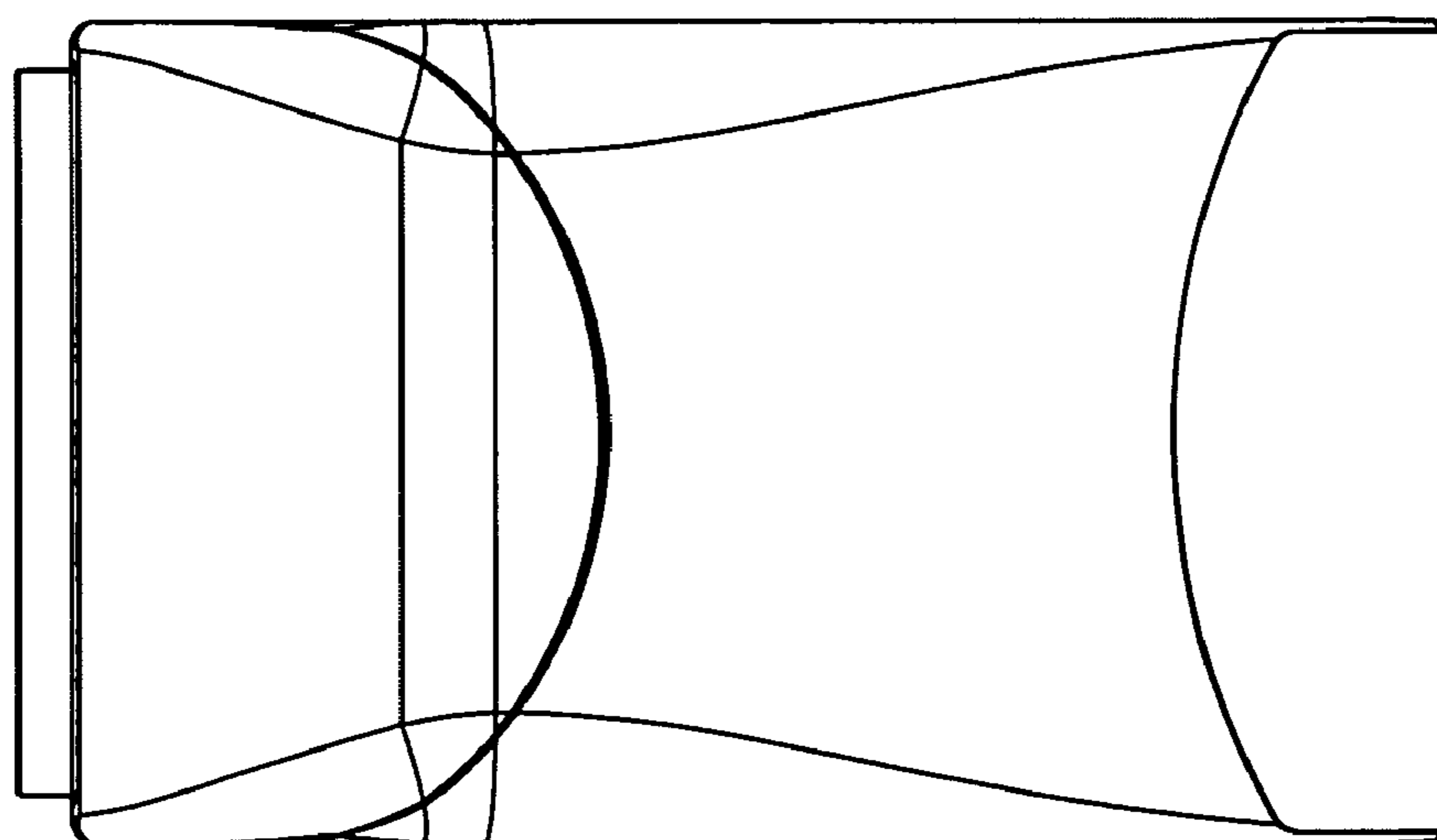
FIG. 3 is a right side view thereof, the left side view being a mirror image thereof.

**1 Claim, 1 Drawing Sheet**

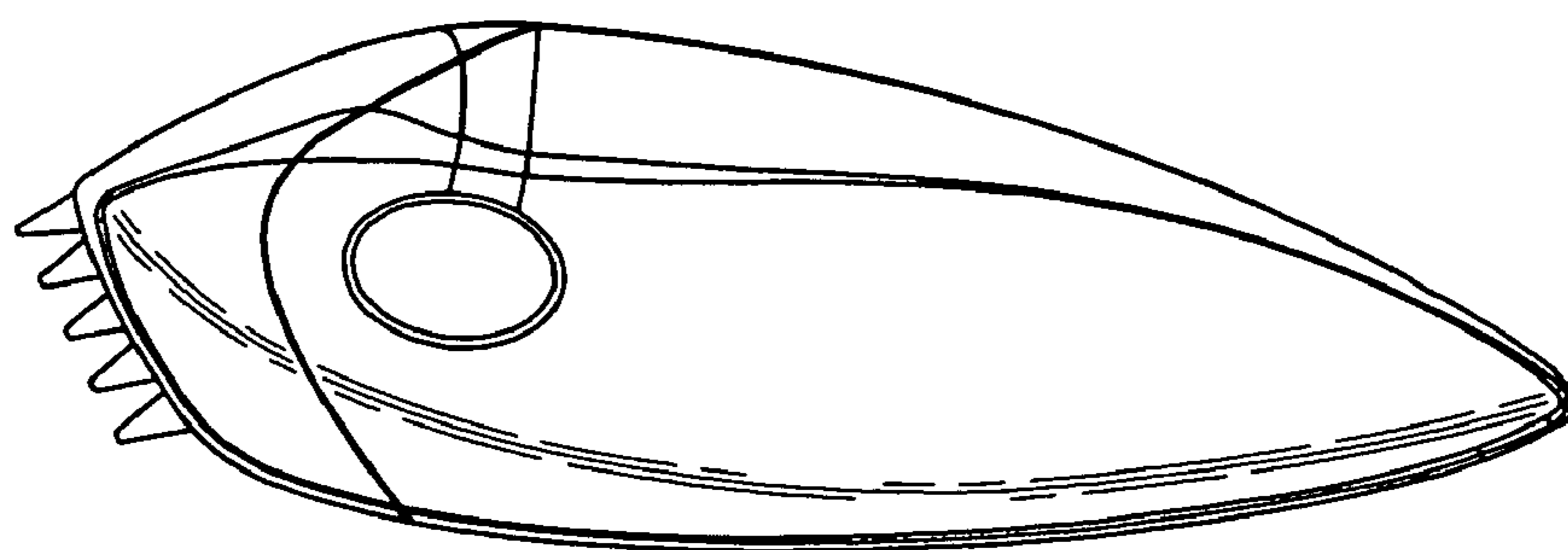




*Fig. 1*



*Fig. 2*



*Fig. 3*