

US00D609914S

(12) **United States Design Patent**  
**Erskine-Smith et al.**

(10) **Patent No.:** **US D609,914 S**  
(45) **Date of Patent:** **\*\* Feb. 16, 2010**

(54) **TOOTHBRUSH**

(75) Inventors: **Craig Mathew Erskine-Smith**,  
Balgowlah Heights (AU); **David**  
**Deacon**, Hong Kong (HK)

(73) Assignee: **Hayco Manufacturing Limited**,  
Causeway Bay (HK)

(\*\*) Term: **14 Years**

(21) Appl. No.: **29/338,008**

(22) Filed: **Jun. 3, 2009**

(51) **LOC (9) Cl.** ..... **04-02**

(52) **U.S. Cl.** ..... **D4/104**

(58) **Field of Classification Search** ..... D4/101,  
D4/104-112, 130, 136; 15/110, 167.1, 167.2,  
15/186-188, 207.2, DIG. 5; 132/308-311;  
601/139, 141

See application file for complete search history.

(56) **References Cited**

**U.S. PATENT DOCUMENTS**

D402,116 S *	12/1998	Magloff et al.	.....	D4/104
6,220,672 B1 *	4/2001	Weihrauch	.....	300/21
D456,607 S *	5/2002	Carlucci et al.	.....	D4/101
D516,819 S *	3/2006	Hohlbein	.....	D4/104
D535,823 S *	1/2007	Crossman	.....	D4/108
D596,407 S *	7/2009	Xi	.....	D4/104

**FOREIGN PATENT DOCUMENTS**

DE 19616154 A1 \* 10/1997

JP 57-57733 U \* 4/1982  
KR 10-0592089 B1 \* 6/2006  
WO WO 97/03587 A1 \* 2/1997

\* cited by examiner

*Primary Examiner*—Melanie H Tung  
*Assistant Examiner*—Lavone D Tabor

(74) *Attorney, Agent, or Firm*—William J. Sapona; Coleman  
Sudol Sapona P.C.

(57) **CLAIM**

The ornamental design for a “toothbrush,” as shown and described.

**DESCRIPTION**

FIG. 1 is a perspective view showing a brush head portion of a toothbrush incorporating the design of our invention;

FIG. 2 is an enlarged top view thereof;

FIG. 3 is a side view thereof;

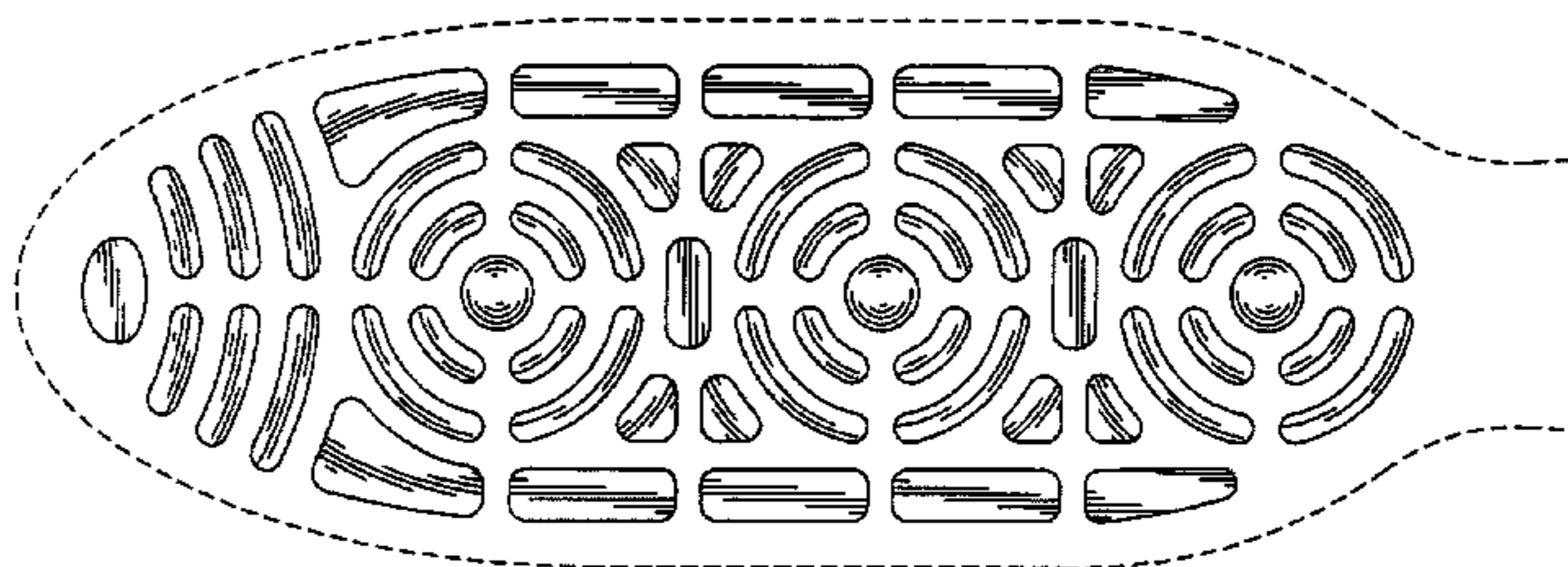
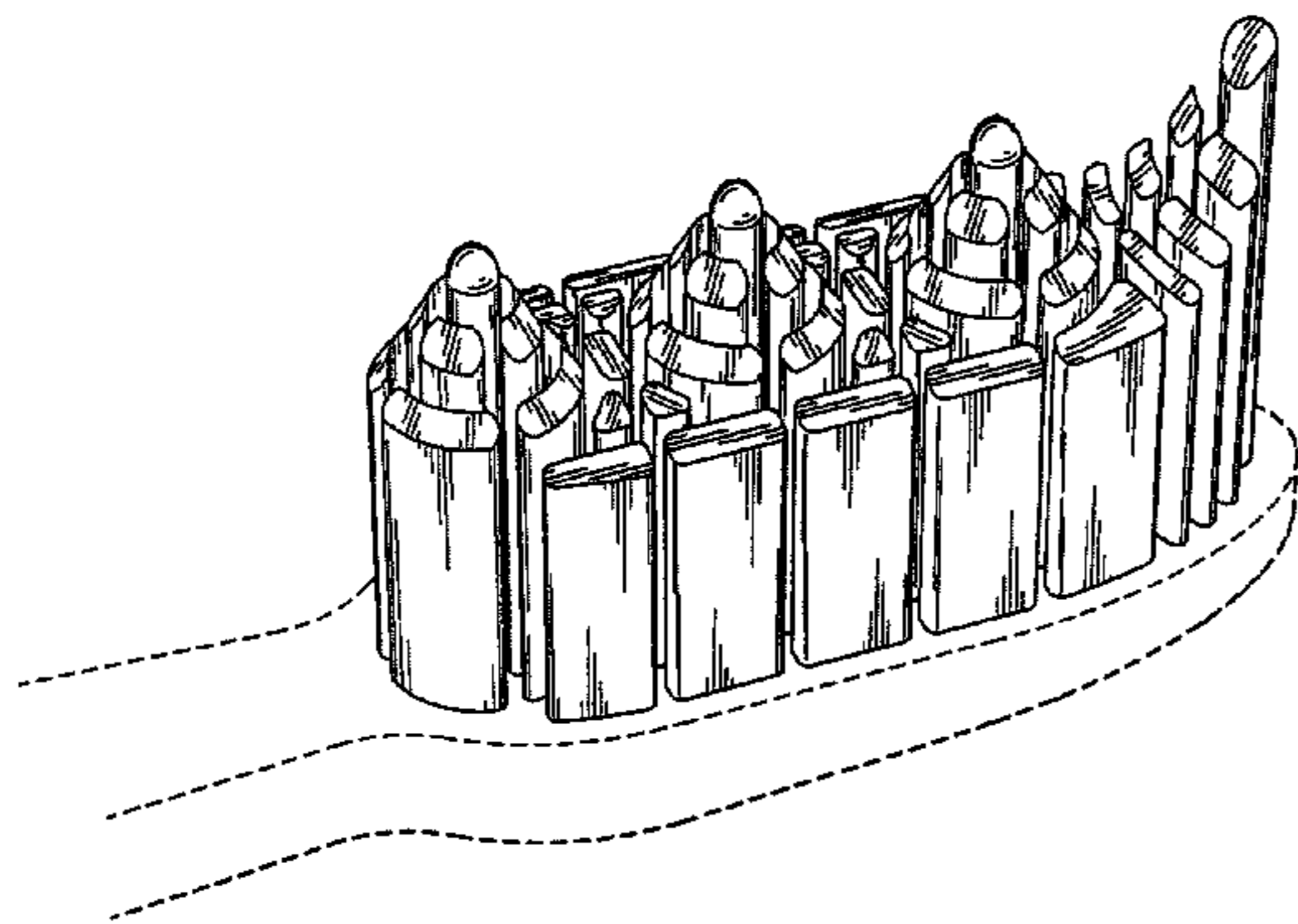
FIG. 4 is another view thereof;

FIG. 5 is a front view thereof; and,

FIG. 6 is a rear view thereof.

The novelty of the design resides in the bristle profile and/or bristle tufts of the toothbrush. The part of the design shown in broken lines is for illustrative purposes only and forms no part of the claimed design.

**1 Claim, 5 Drawing Sheets**



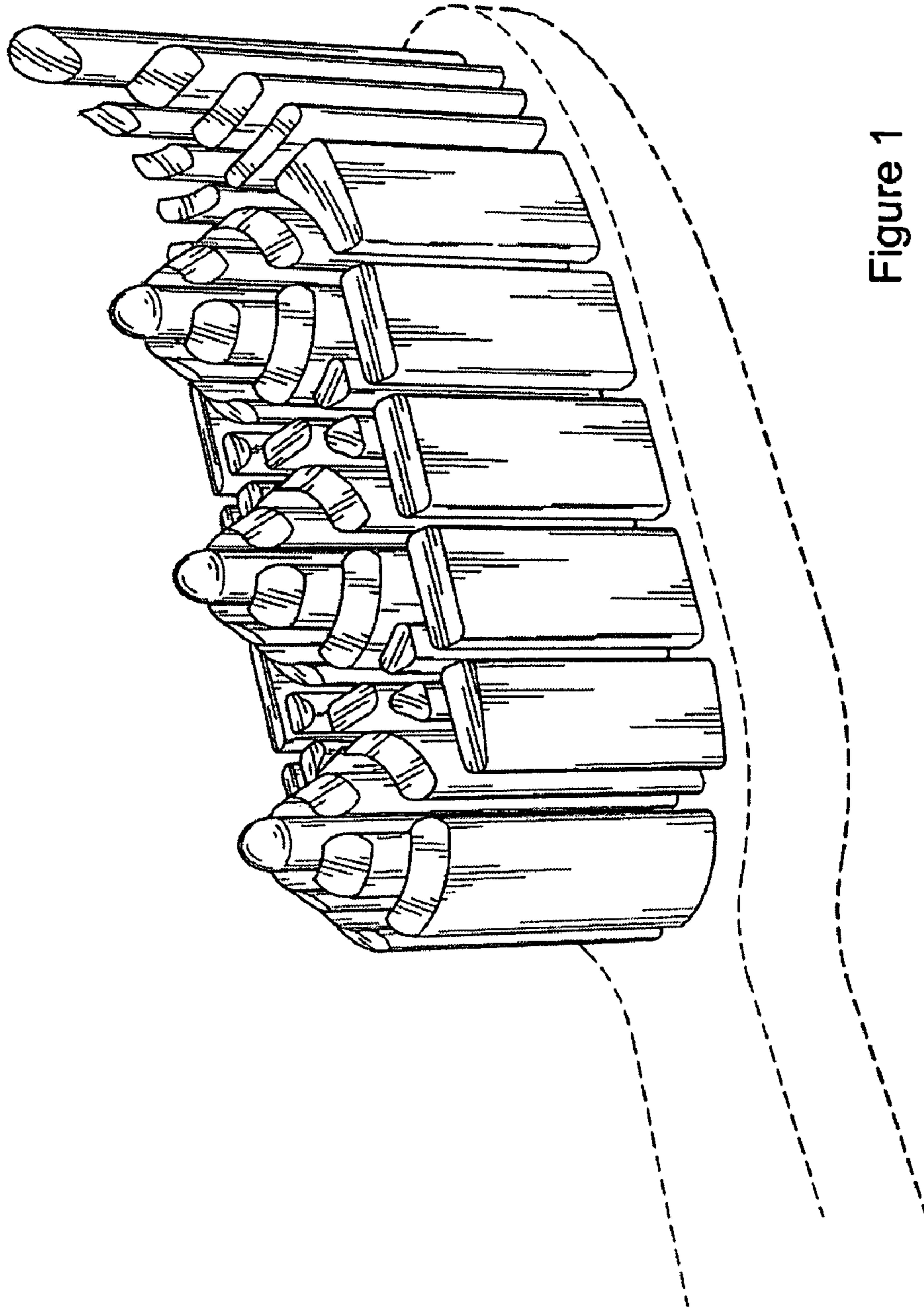


Figure 1

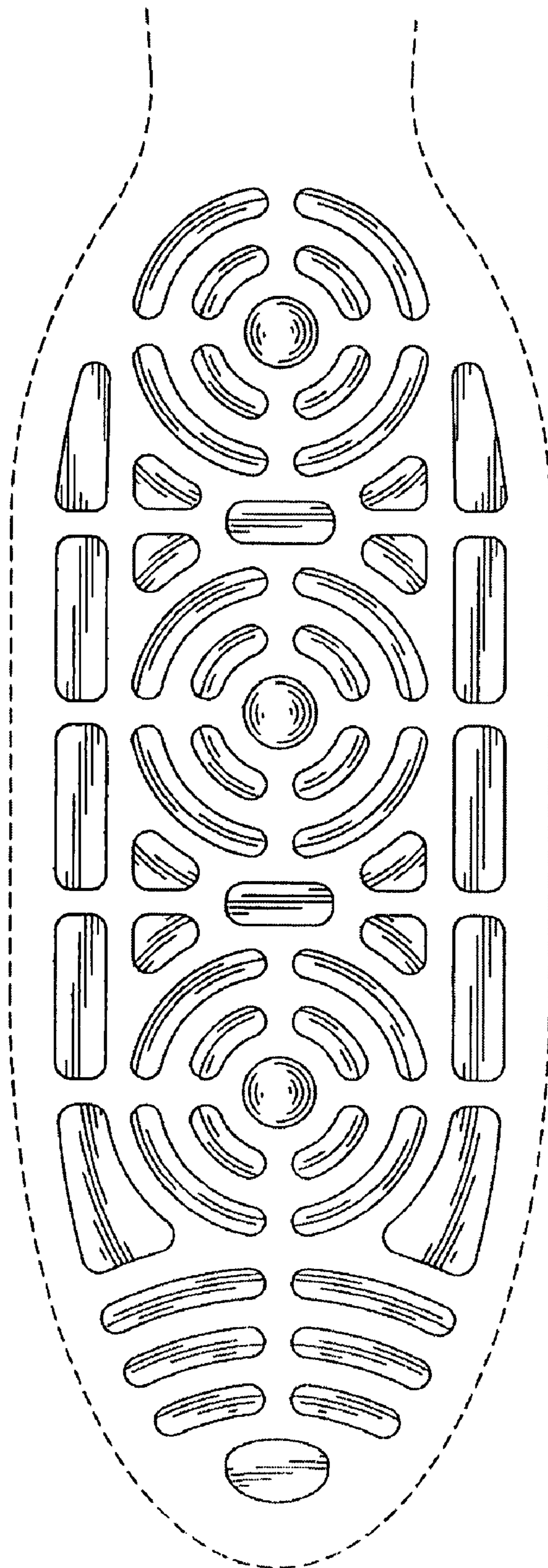


Figure 2

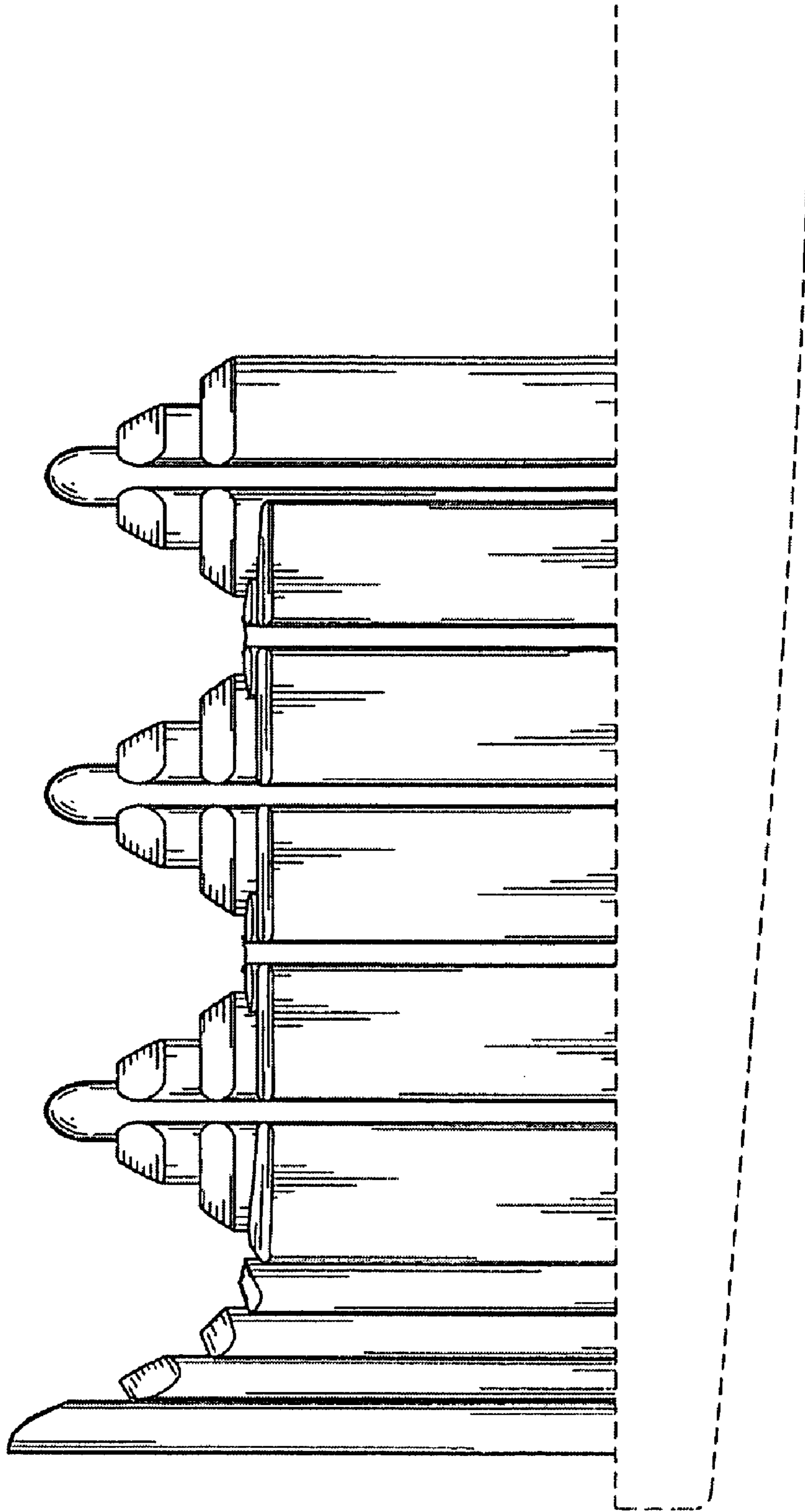


Figure 3

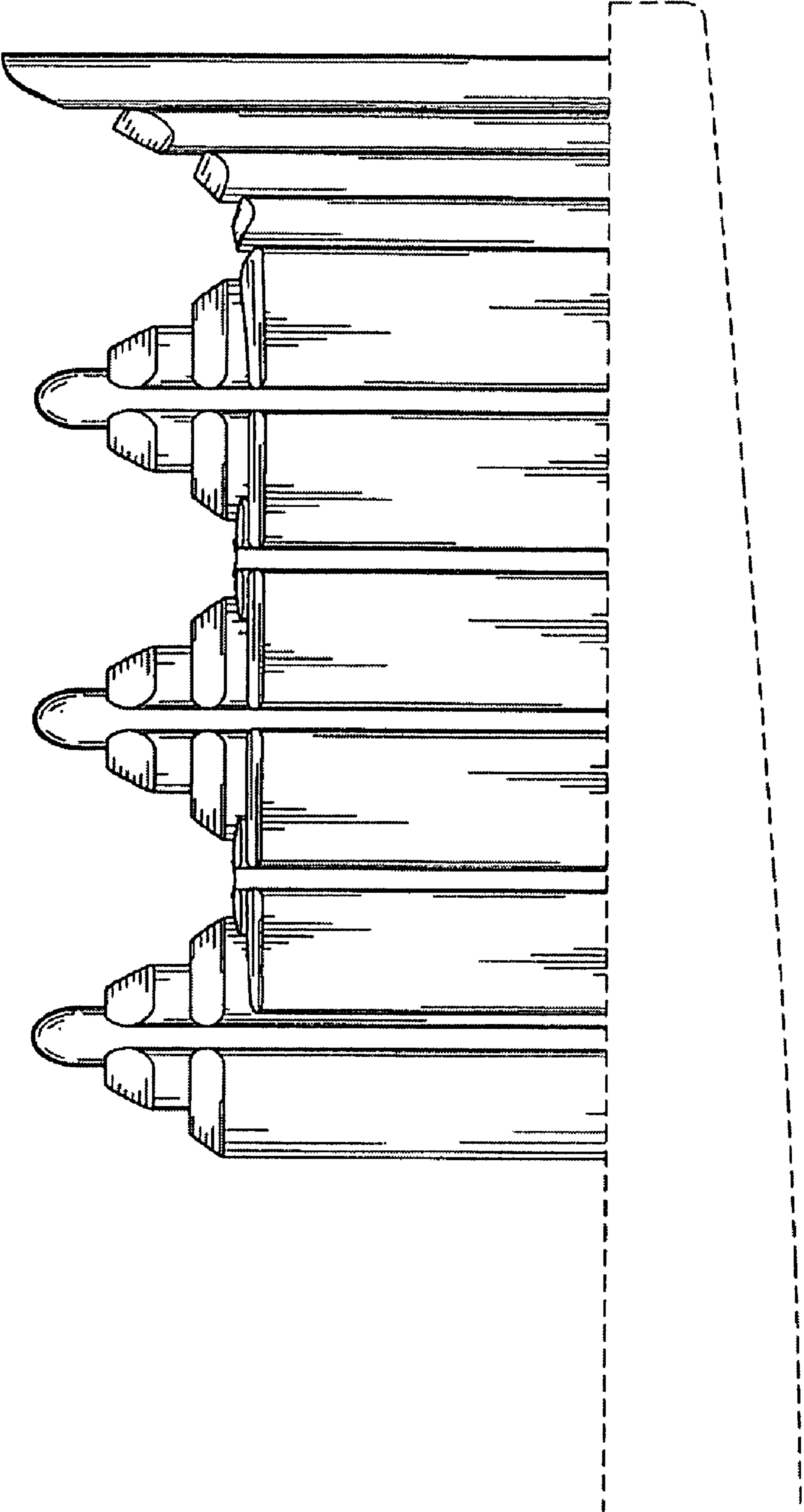


Figure 4

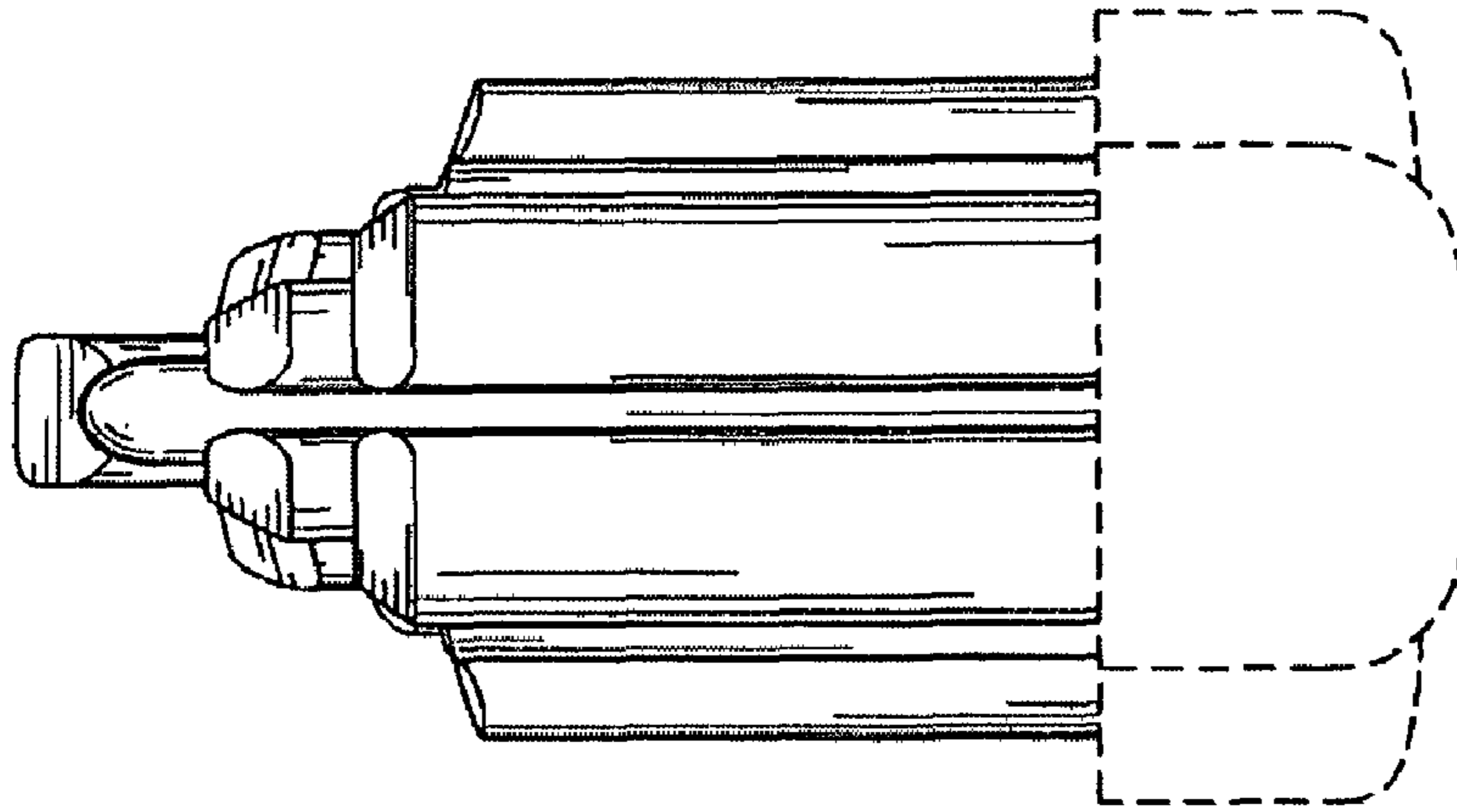


Figure 6

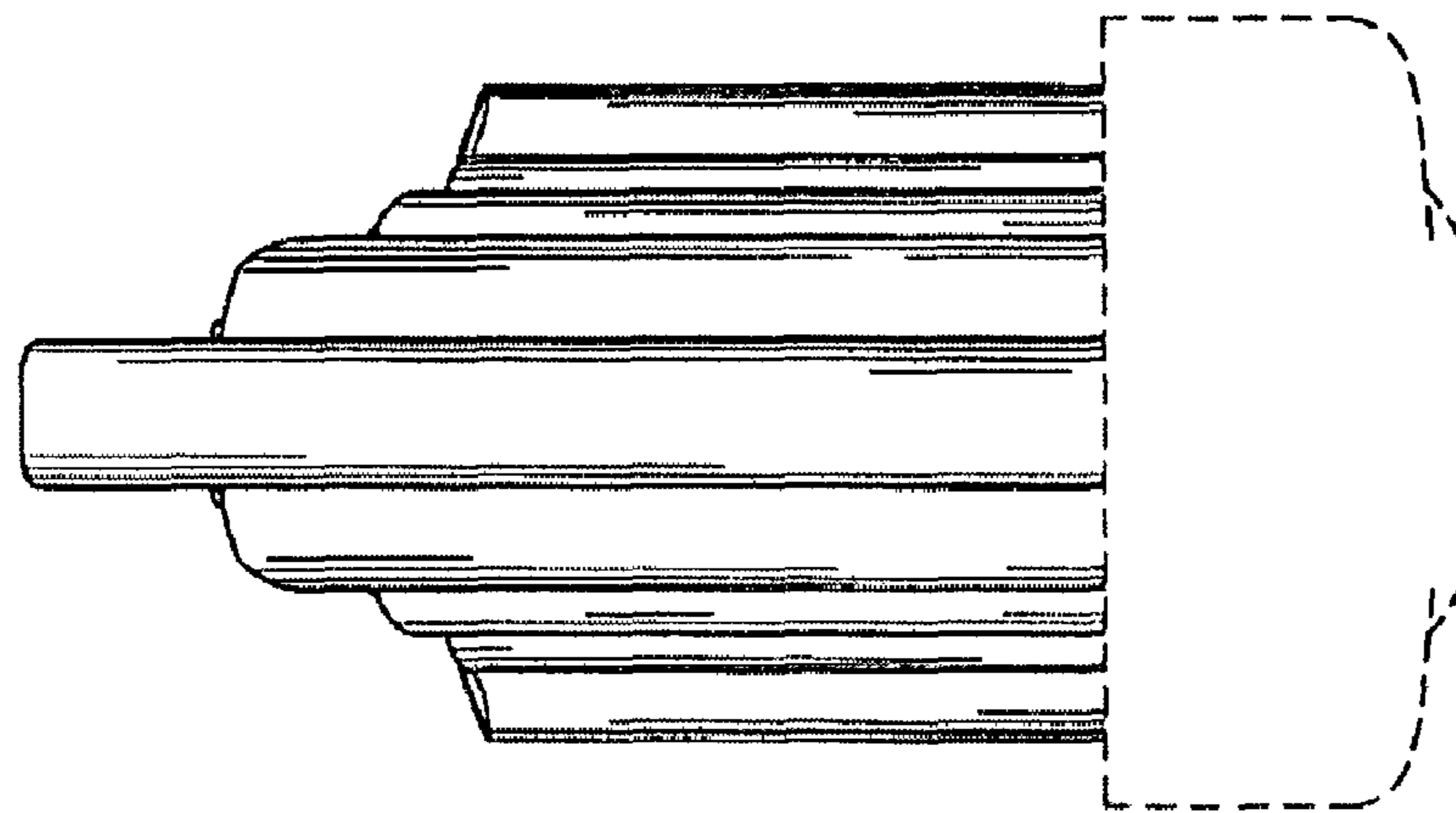


Figure 5