



US00D609911S

(12) **United States Design Patent**
Twig

(10) **Patent No.:** **US D609,911 S**

(45) **Date of Patent:** **** Feb. 16, 2010**

(54) **CHEST**

(75) Inventor: **Noam Twig**, Petach Tikva (IL)

(73) Assignee: **ZAG Industries, Ltd.**, Rosh Ha' Ayin (IL)

(**) Term: **14 Years**

(21) Appl. No.: **29/331,588**

(22) Filed: **Jan. 28, 2009**

(51) **LOC (9) Cl.** **03-01**

(52) **U.S. Cl.** **D3/279; D3/905**

(58) **Field of Classification Search** D3/273-274,
D3/276, 279-282, 291, 294-296, 318, 321,
D3/323, 905; D7/605; D12/414.1, 423;
D34/14, 25; 206/349, 372-379; 190/18 A,
190/18 R; 280/47.25-47.26, 655.1; 312/259.8
See application file for complete search history.

(56) **References Cited**

U.S. PATENT DOCUMENTS

- D279,664 S * 7/1985 Waters, Jr. D12/423
- D369,342 S * 4/1996 Williams D12/414.1
- D374,772 S * 10/1996 Hotaling et al. D3/276
- D382,114 S * 8/1997 Dickinson et al. D3/279
- D415,658 S * 10/1999 Frehse D7/605
- D437,484 S * 2/2001 Tiramani et al. D3/279
- 6,213,328 B1 4/2001 Tiramani et al.
- D451,278 S * 12/2001 Cooper D3/294
- D462,168 S * 9/2002 Klemmensen et al. D3/279
- D467,424 S * 12/2002 Hardigg et al. D3/279

- D467,425 S * 12/2002 Hardigg et al. D3/279
- D467,426 S * 12/2002 Hardigg et al. D3/279
- D469,663 S * 2/2003 Steinfeld D7/605
- D566,479 S * 4/2008 Kabalin D7/605
- D596,367 S * 7/2009 Katz D34/19
- D597,019 S * 7/2009 Zarza D12/414.1

* cited by examiner

Primary Examiner—Philip S Hyder

Assistant Examiner—Roselynn Cody

(74) *Attorney, Agent, or Firm*—Pillsbury Winthrop Shaw Pittman LLP

(57) **CLAIM**

The ornamental design for a chest, as shown and described.

DESCRIPTION

FIG. 1 is a perspective illustration of an embodiment of the chest according to my design;

FIG. 2 is a front plan view thereof;

FIG. 3 is a rear plan view thereof;

FIG. 4 is a left side view thereof;

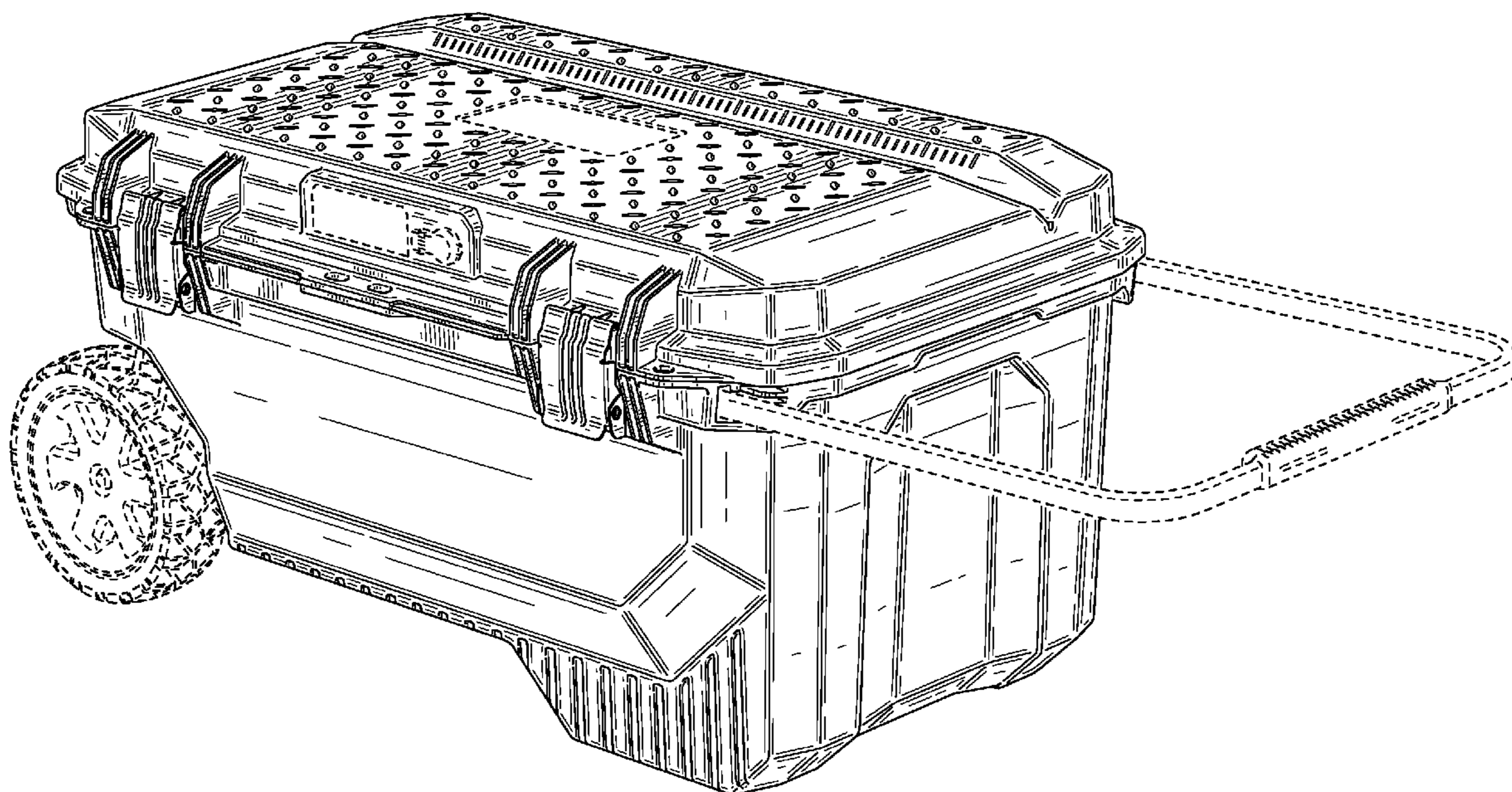
FIG. 5 is a right side view thereof;

FIG. 6 is a top plan view thereof; and,

FIG. 7 is a bottom plan view thereof.

Where included, broken lines showing environment or structure are for illustrative purposes only and form no part of the claimed design.

1 Claim, 6 Drawing Sheets



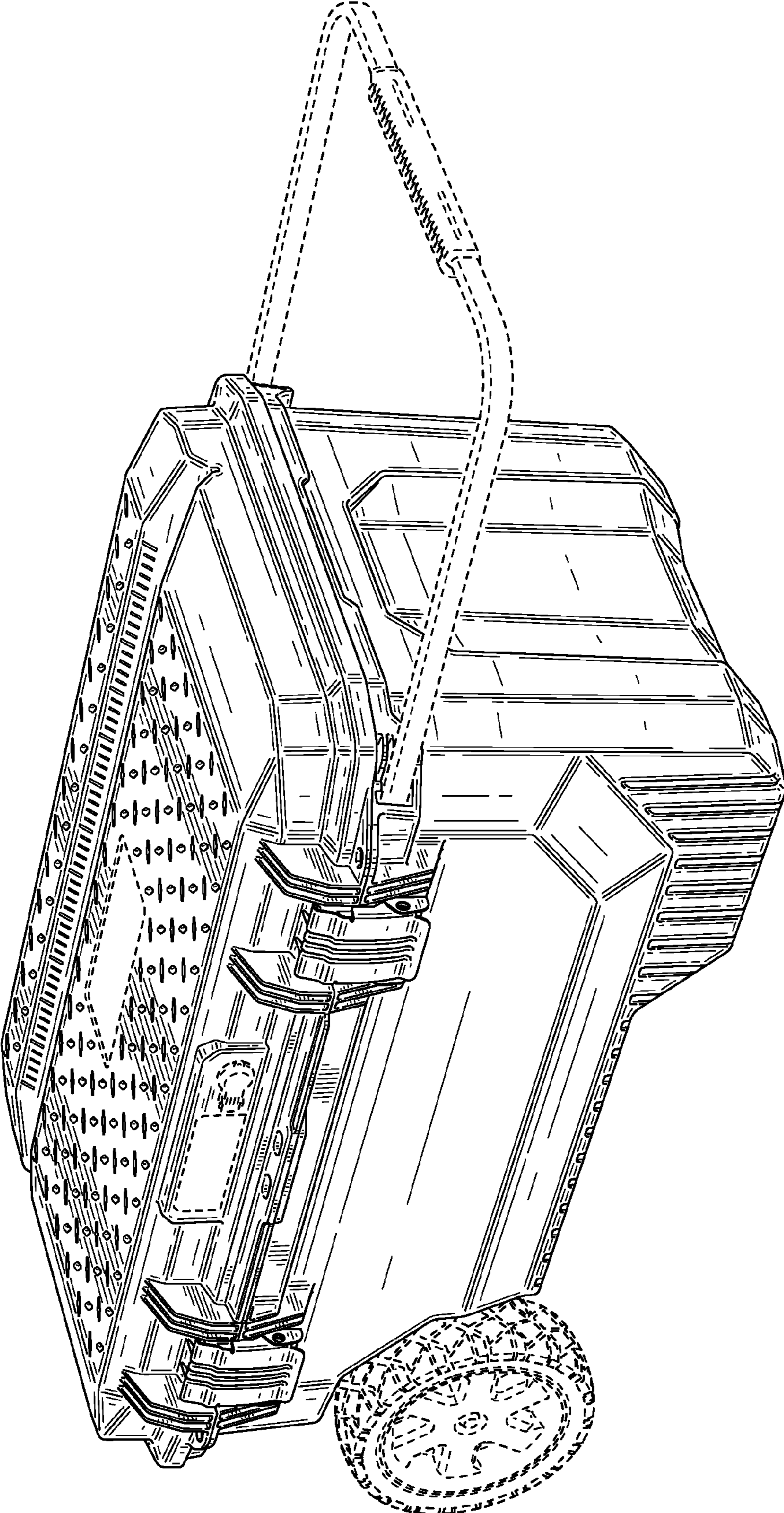


FIG. 1

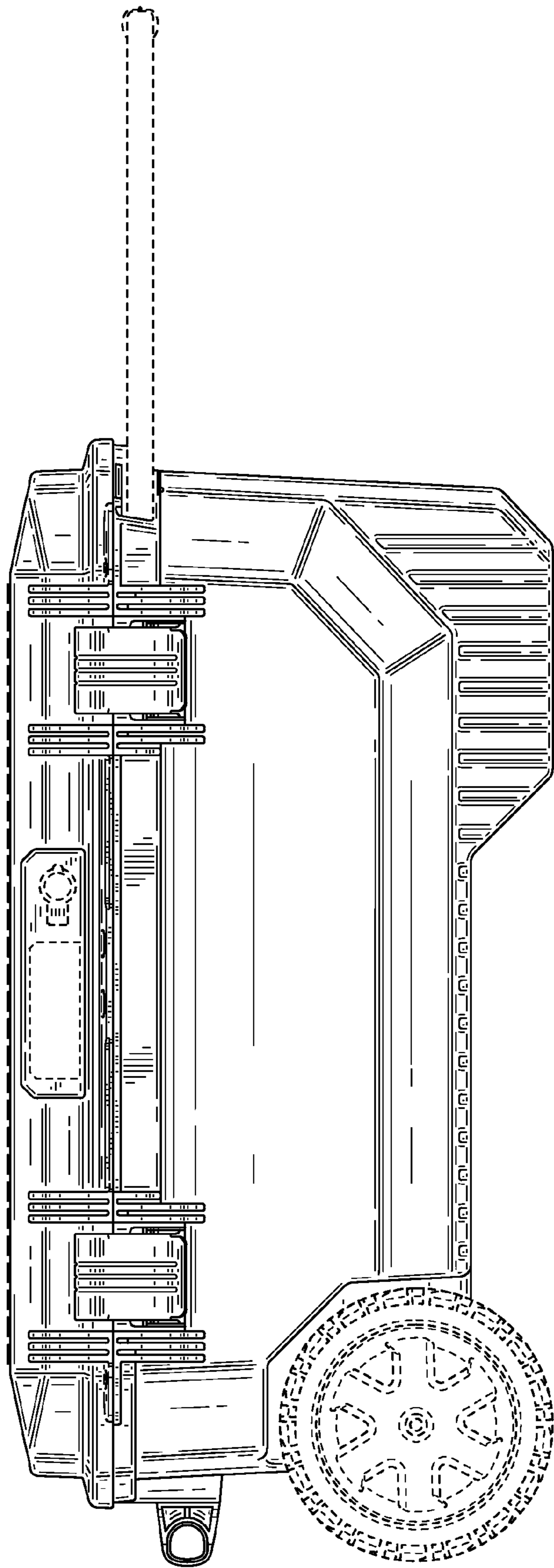


FIG. 2

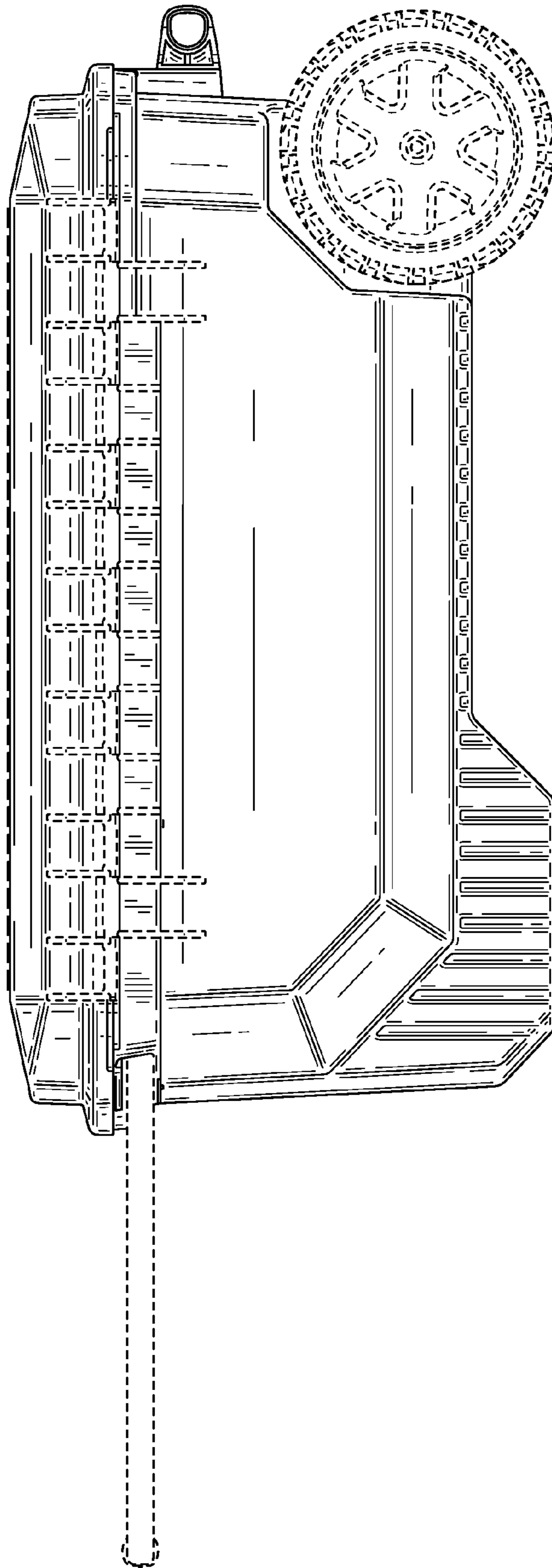


FIG. 3

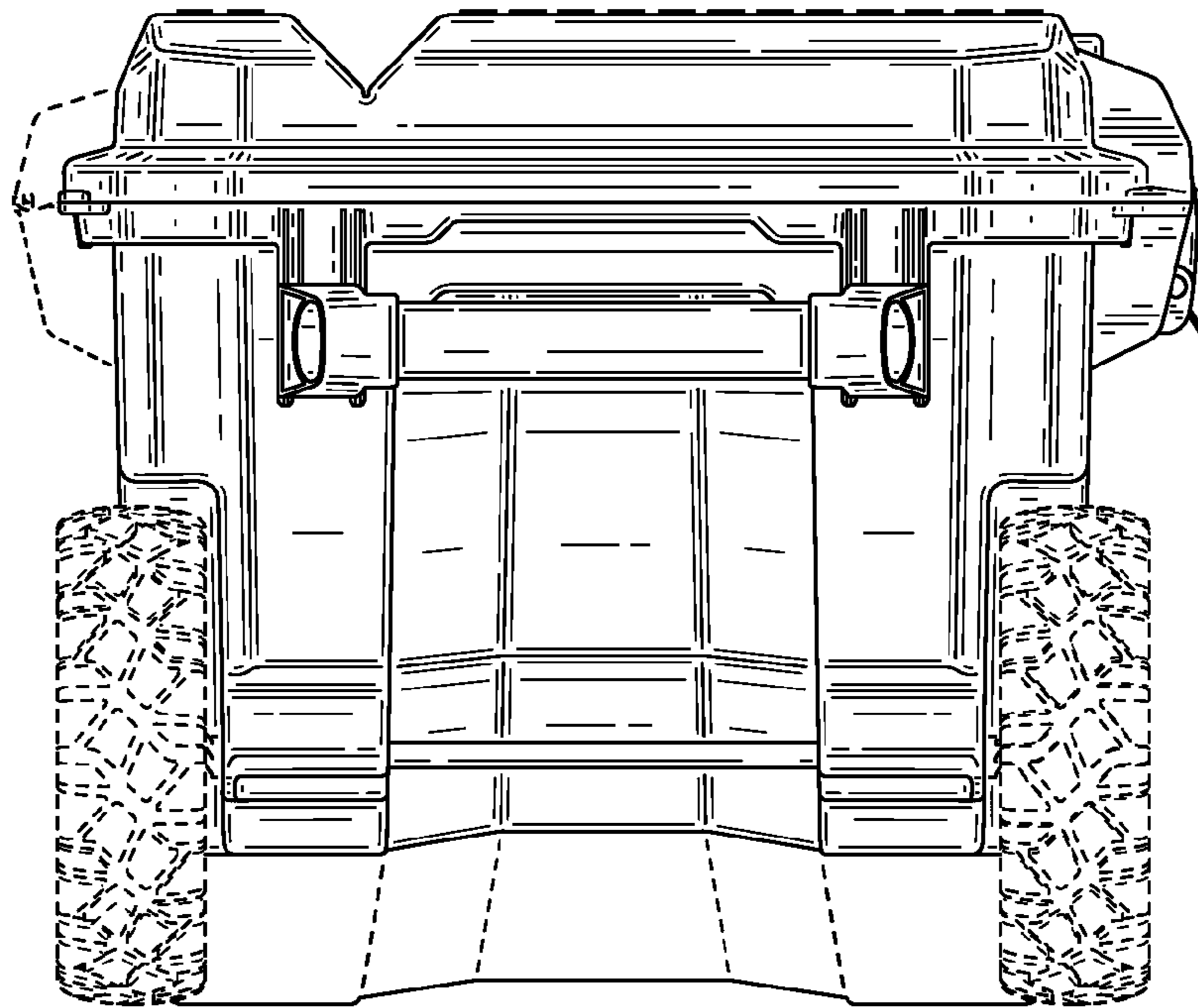


FIG. 4

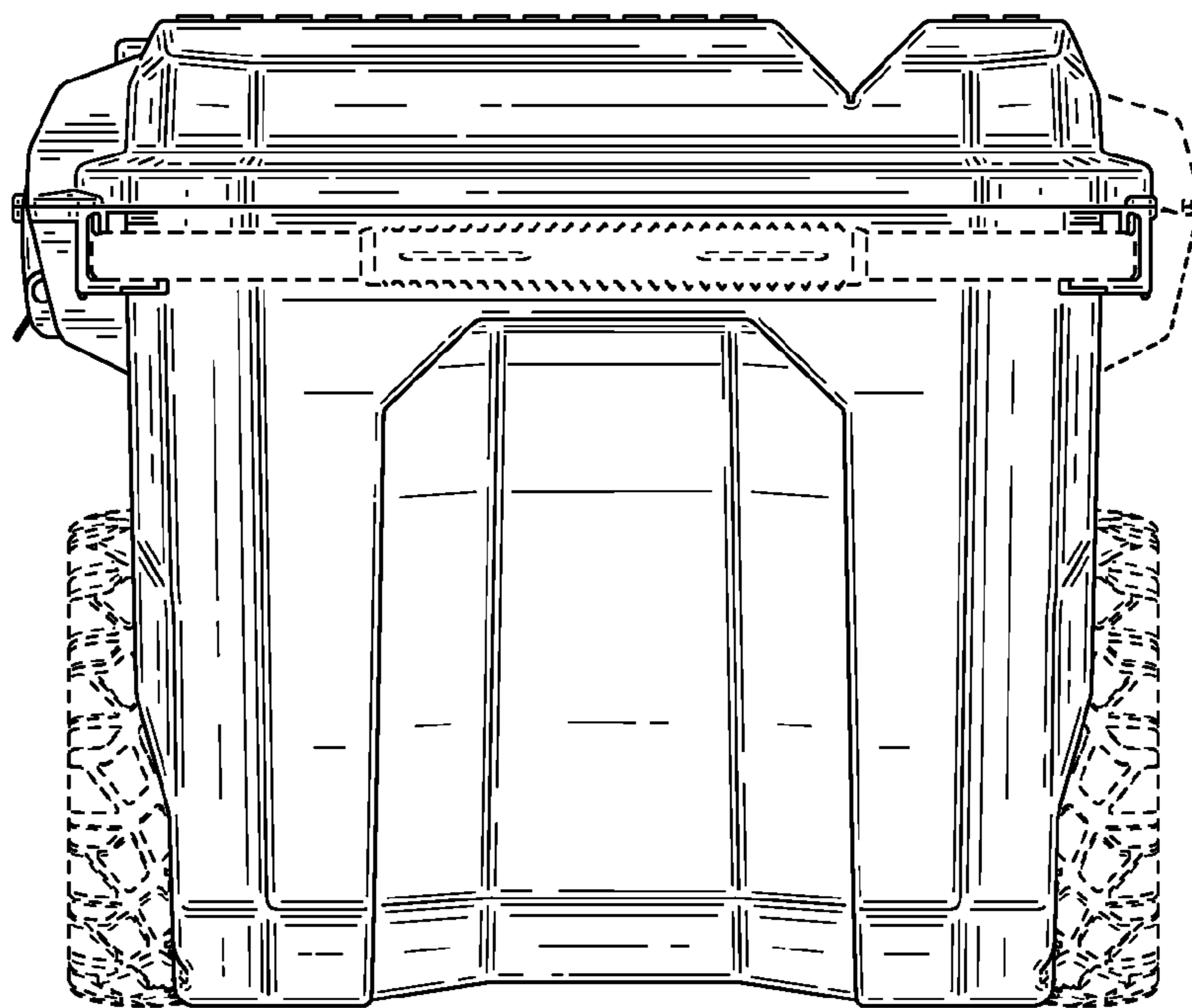


FIG. 5

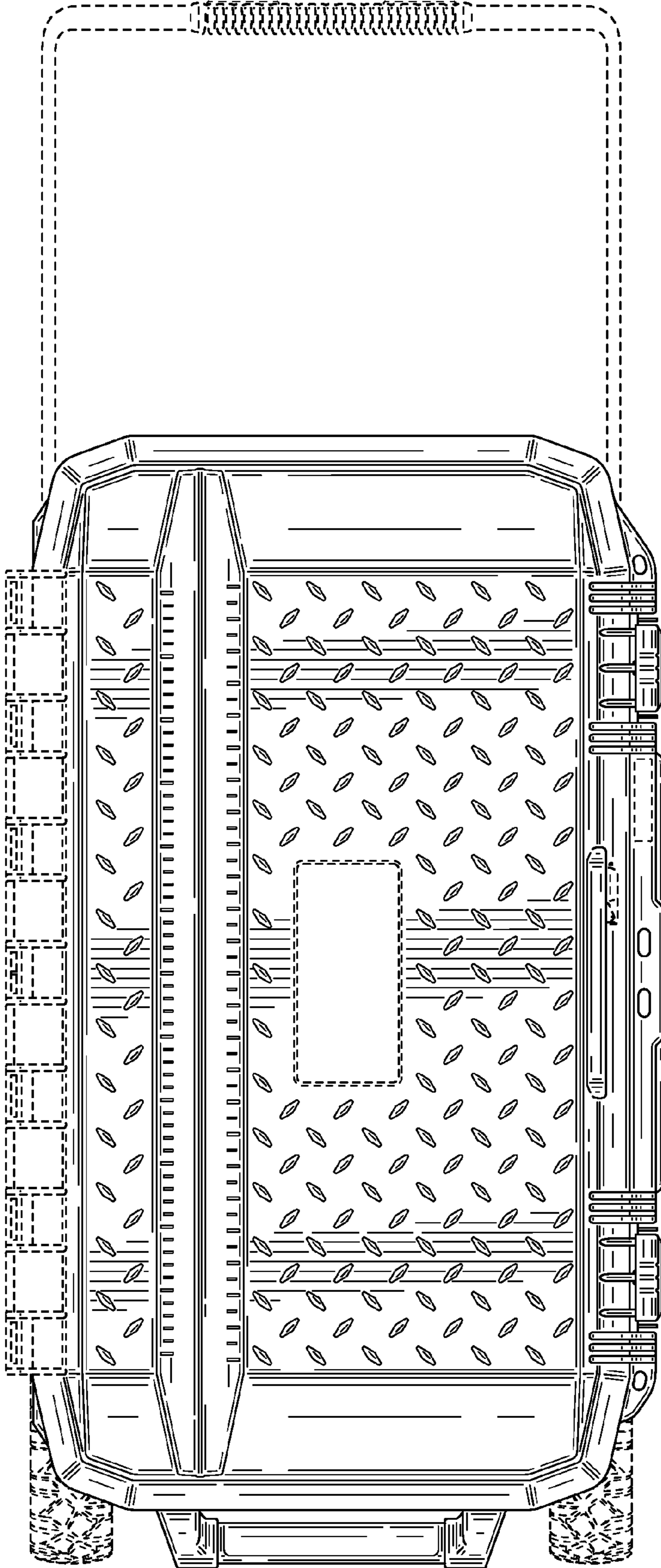


FIG. 6

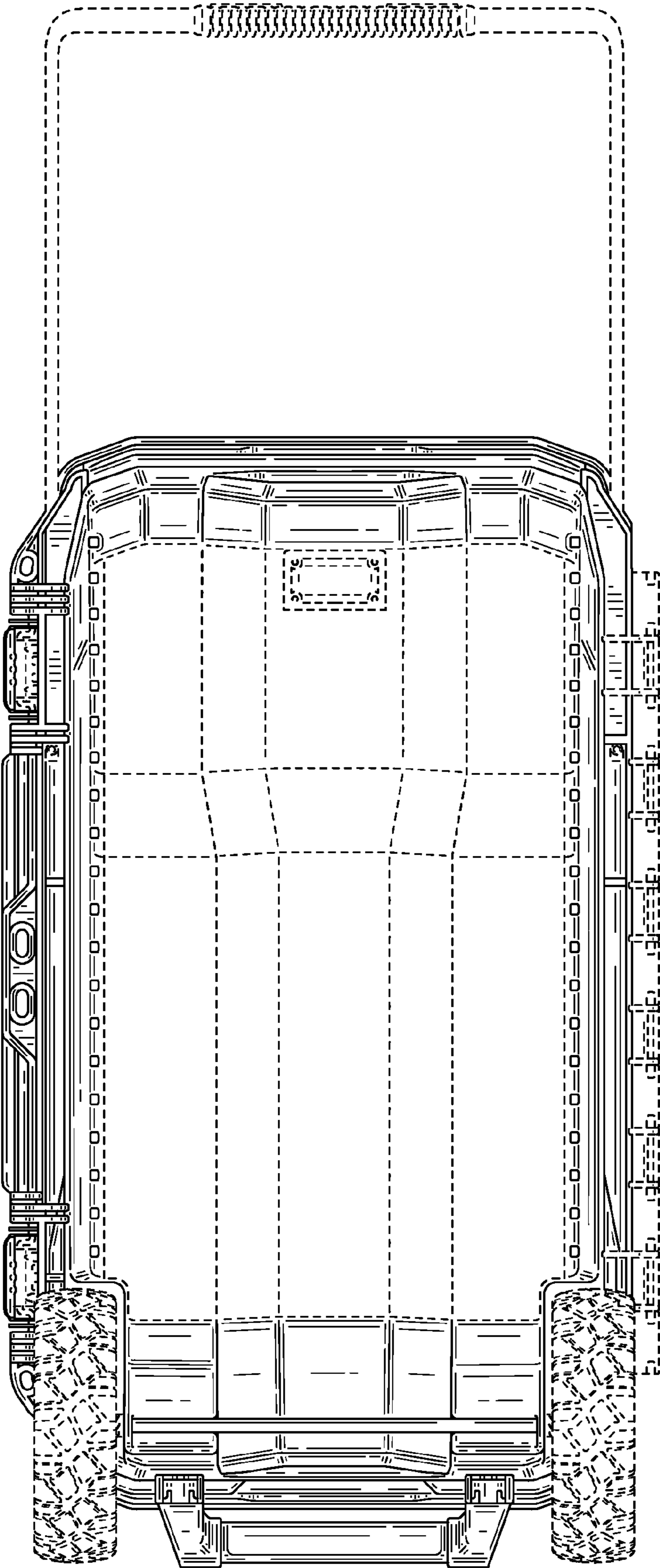


FIG. 7