

US00D609904S

(12) **United States Design Patent**
Brinegar

(10) **Patent No.:** **US D609,904 S**

(45) **Date of Patent:** **** Feb. 16, 2010**

(54) **HANDBAG**

(76) Inventor: **Michelle M. Brinegar**, 3307 Dover Rd.,
Durham, NC (US) 27707

(**) Term: **14 Years**

(21) Appl. No.: **29/331,347**

(22) Filed: **Jan. 23, 2009**

(51) **LOC (9) Cl.** **03-01**

(52) **U.S. Cl.** **D3/238; D3/234**

(58) **Field of Classification Search** D3/232-234,
D3/238, 240-246, 318, 324; 150/100, 103-104,
150/106-110, 113-114, 118-119

See application file for complete search history.

(56) **References Cited**

U.S. PATENT DOCUMENTS

D104,074 S * 4/1937 Lewis D3/246

* cited by examiner

Primary Examiner—Holly H Baynham

(74) *Attorney, Agent, or Firm*—Jenkins, Wilson, Taylor &
Hunt, P.A.

(57) **CLAIM**

The ornamental design for a handbag, as shown and
described.

DESCRIPTION

FIG. 1 is a front elevational view of ornamental handbag in
accordance with the new design;

FIG. 2 is a rear elevational view thereof;

FIG. 3 is a left side elevational view thereof;

FIG. 4 is a right side elevational view thereof;

FIG. 5 is a top plan view thereof;

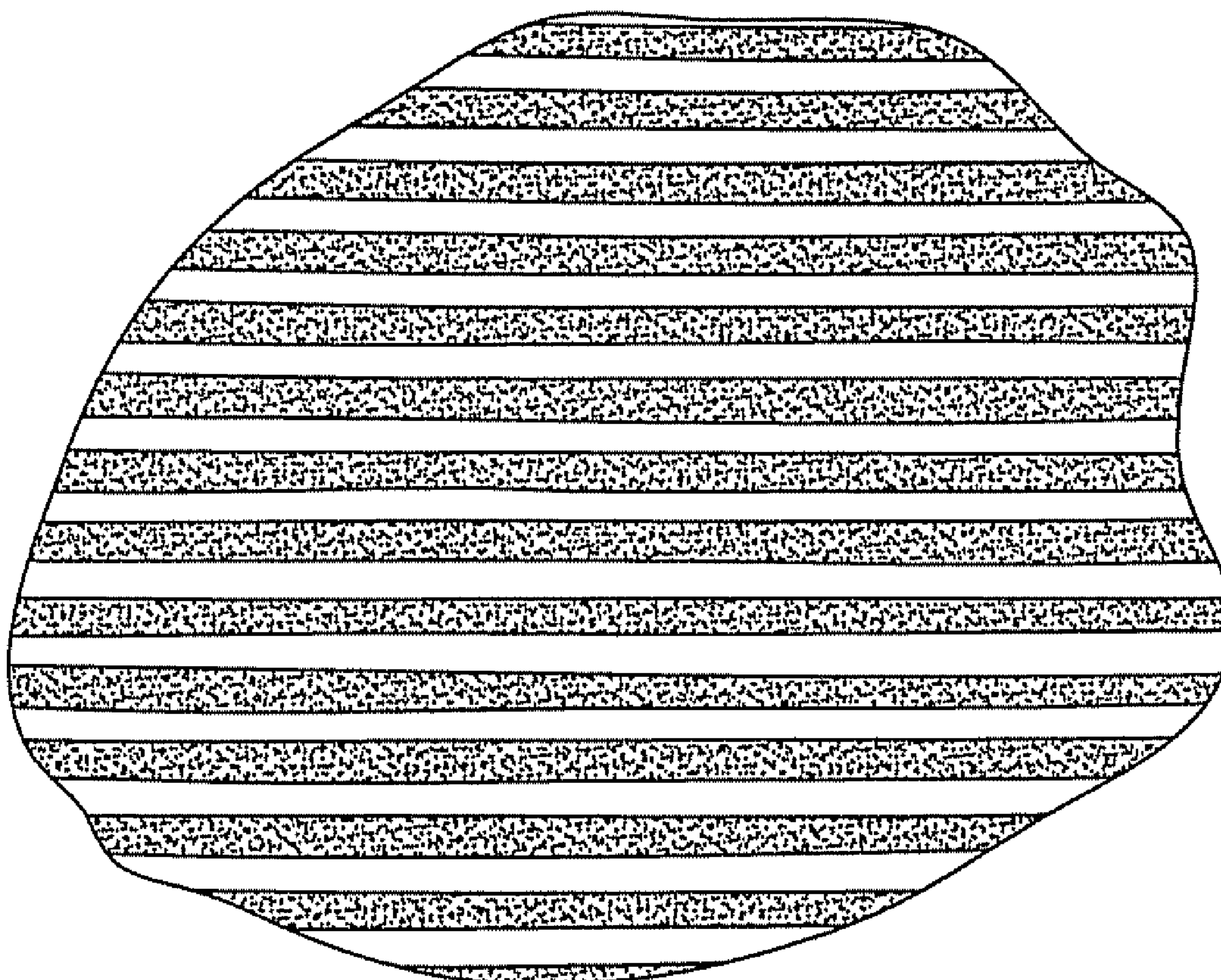
FIG. 6 is a bottom plan view thereof; and,

FIG. 7 is a view of the horizontal striped surface of the
handbag of FIGS. 1-6.

The straps are shown broken away to indicate indeterminate
length.

A portion of the fabric from the handbag is shown enlarged
for clarity of illustration.

1 Claim, 7 Drawing Sheets



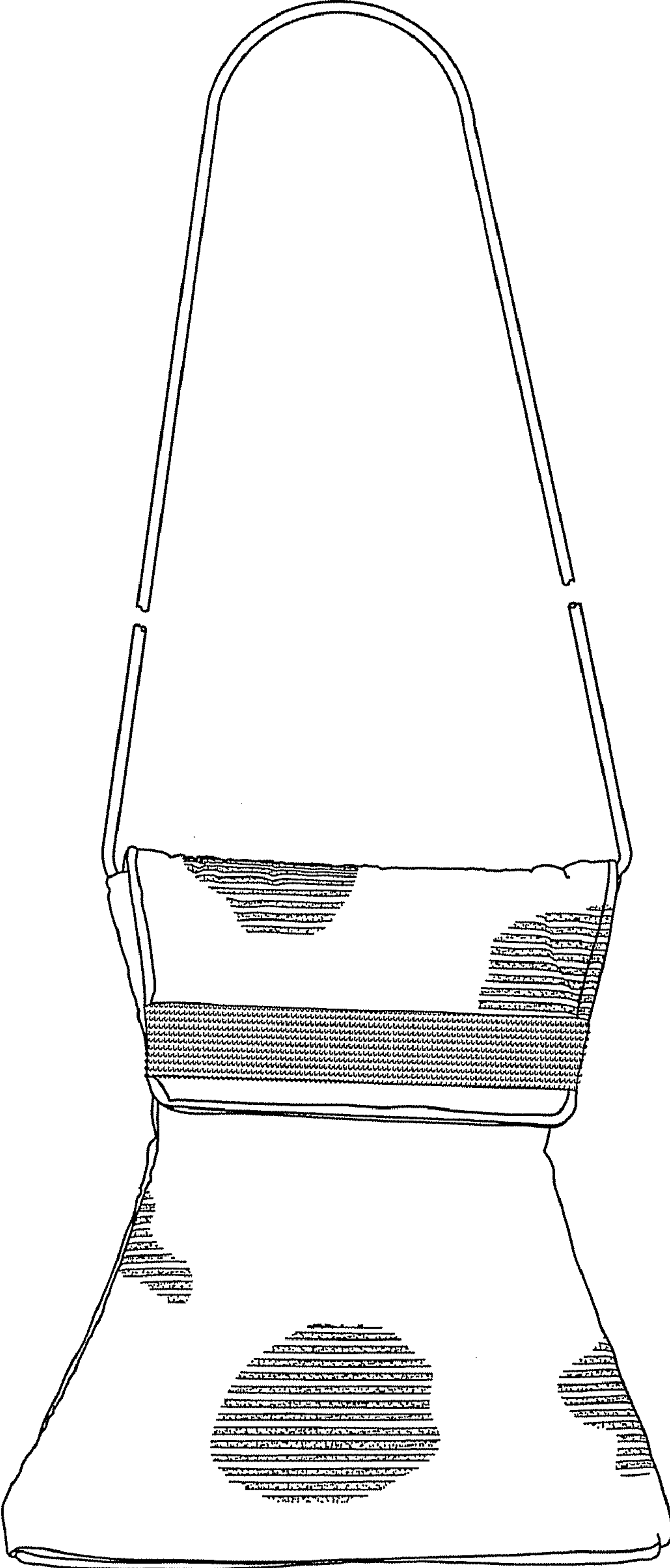


FIG. 1

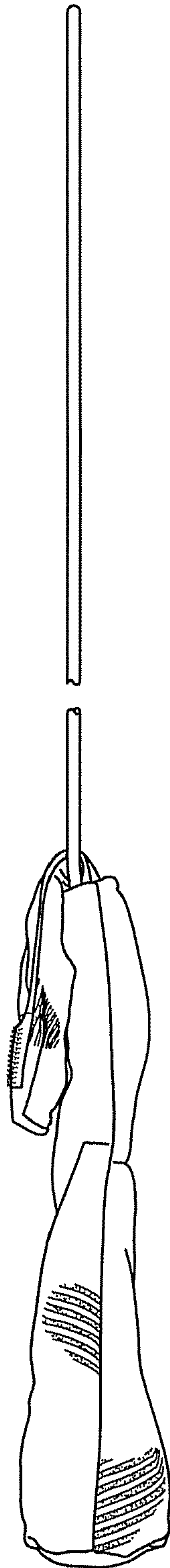


FIG. 2

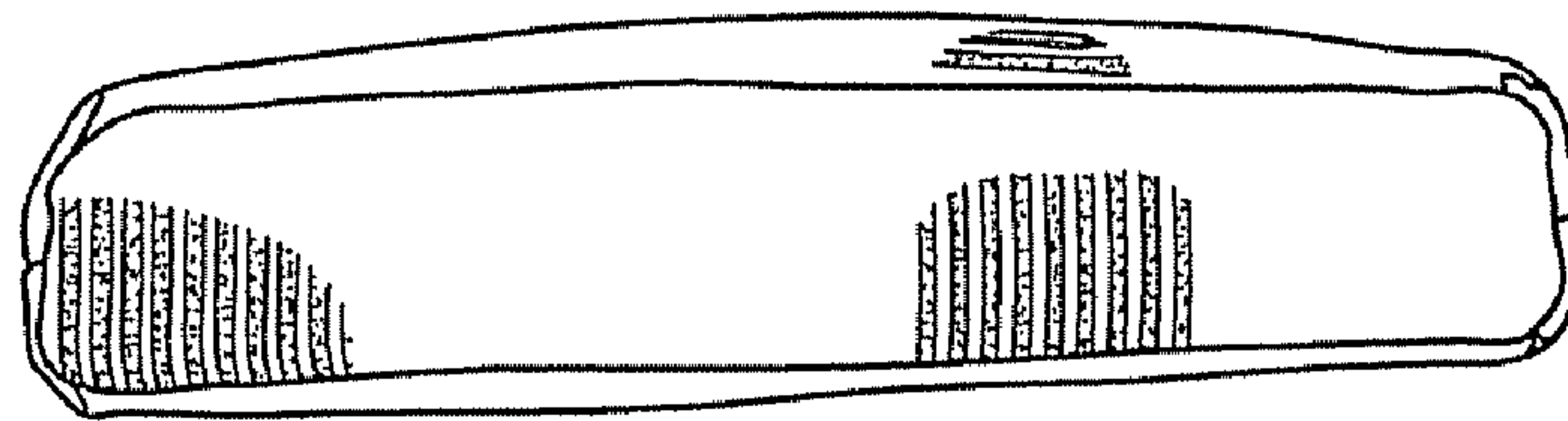


FIG. 3

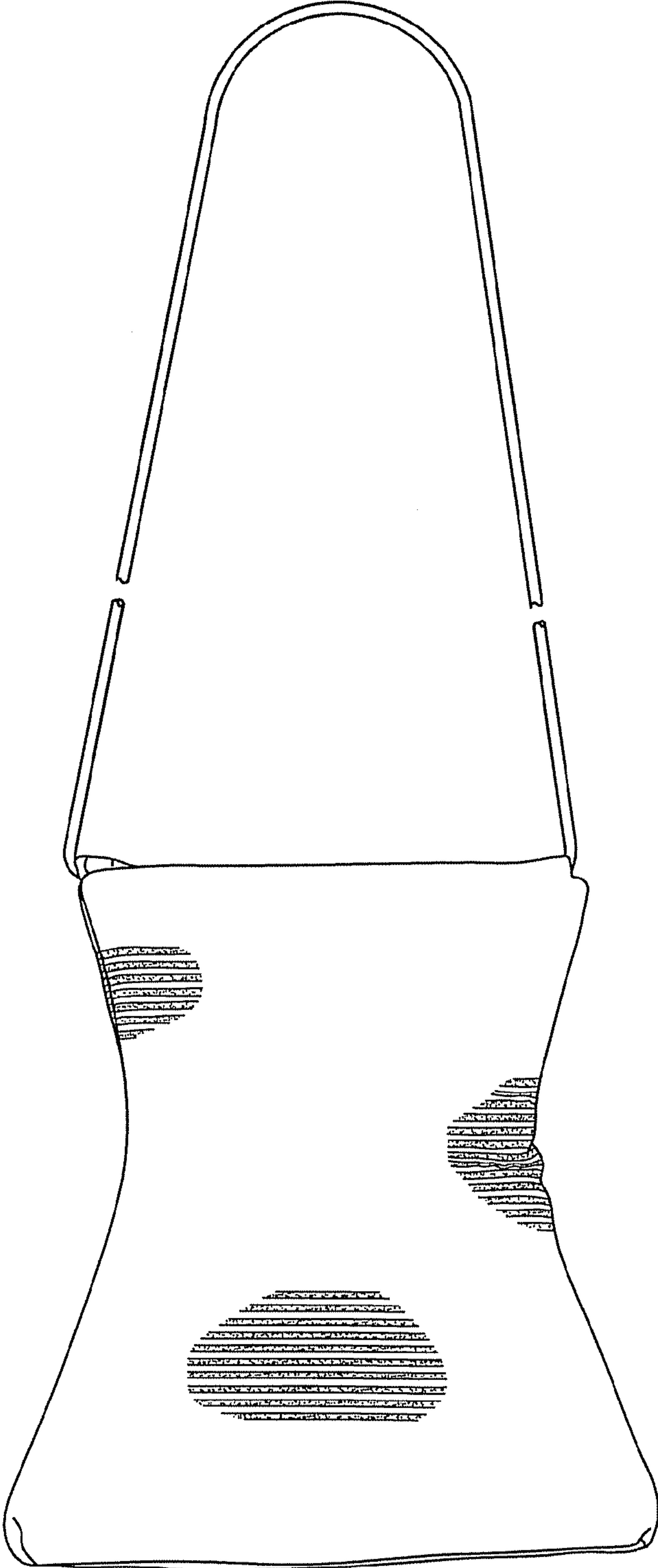


FIG. 4

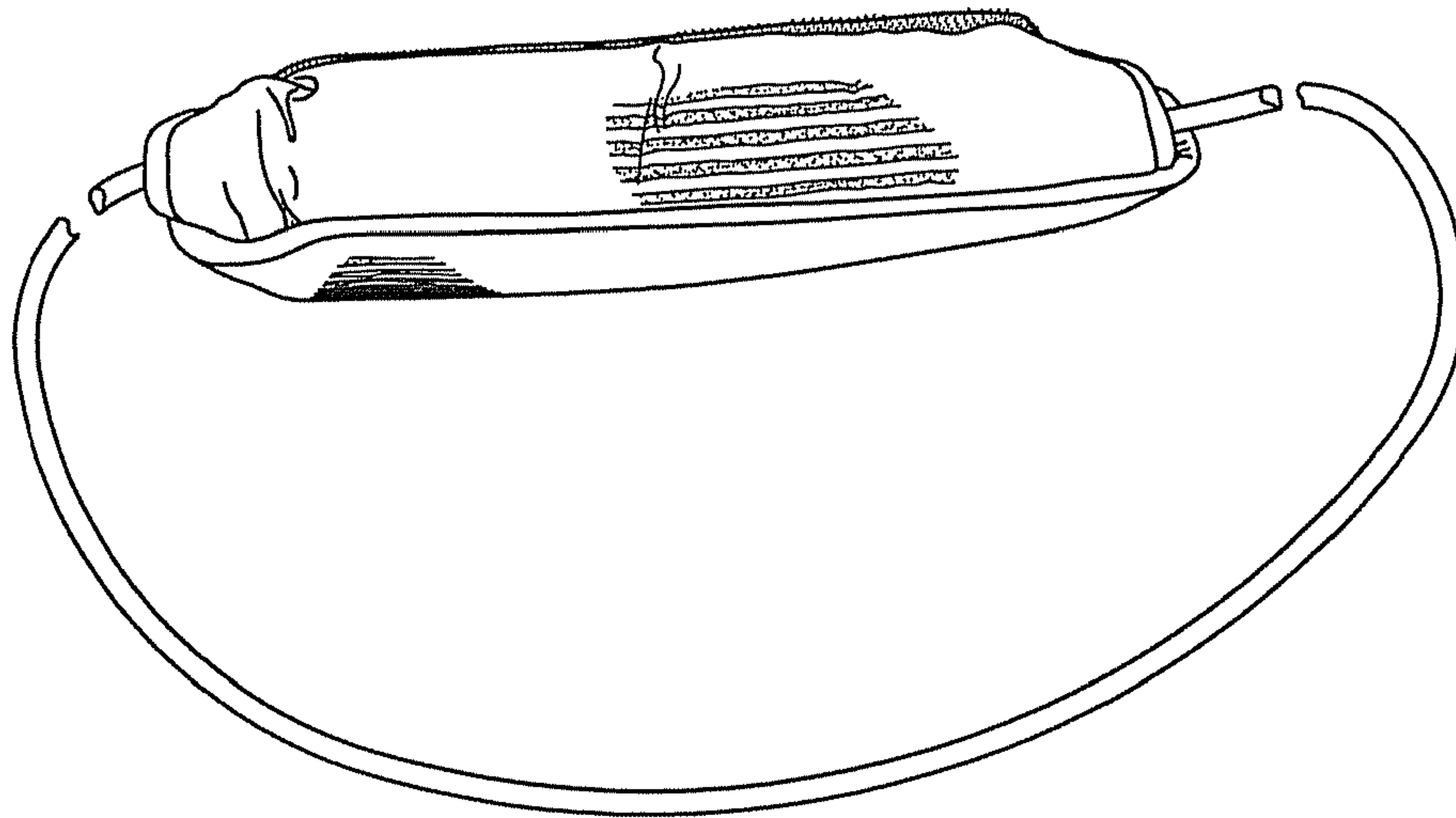


FIG. 5

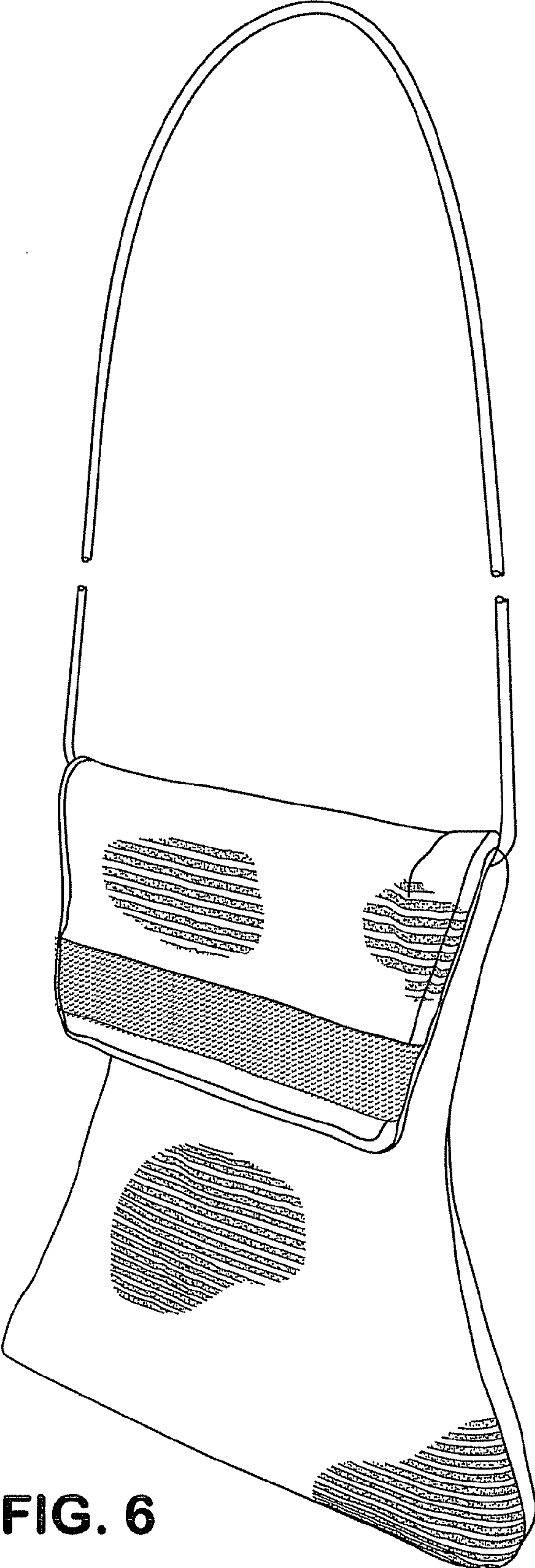


FIG. 6

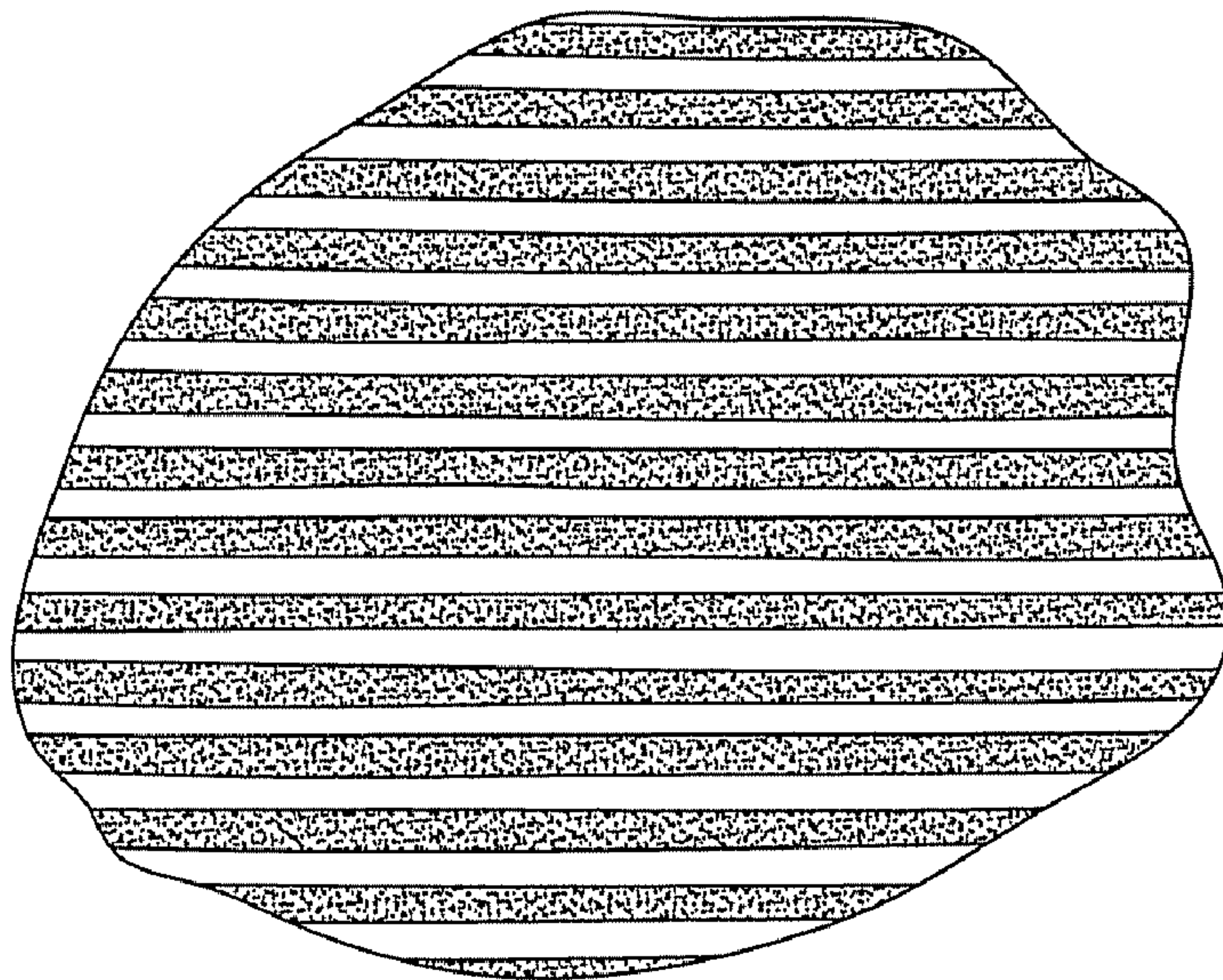


FIG. 7