



US00D609898S

(12) **United States Design Patent**  
**Carbonere et al.**

(10) **Patent No.:** **US D609,898 S**

(45) **Date of Patent:** **\*\* Feb. 16, 2010**

(54) **SHOE UPPER**

(75) Inventors: **Enrico Carbonere**, Cambridge, MA  
(US); **Antonio M. Bertone**, Winchester,  
MA (US)

(73) Assignee: **Tretorn Aktiebolag**, Helsingborg (SE)

(\*\*) Term: **14 Years**

(21) Appl. No.: **29/337,726**

(22) Filed: **May 28, 2009**

(51) **LOC (9) Cl.** ..... **02-99**

(52) **U.S. Cl.** ..... **D2/969**

(58) **Field of Classification Search** ..... D2/896,  
D2/902, 906–912, 943, 944, 969, 972–974,  
D2/976; 36/45–49, 50.1, 77 M, 77 R, 83,  
36/88, 113, 114, 126–131

See application file for complete search history.

(56) **References Cited**

**U.S. PATENT DOCUMENTS**

D200,846 S \* 4/1965 Bovay et al. .... D2/908  
D226,461 S \* 3/1973 Nelson ..... D2/907  
D342,369 S \* 12/1993 Lamson ..... D2/906

D358,021 S \* 5/1995 Vestuti ..... D2/902  
D449,922 S \* 11/2001 Pollastrelli ..... D2/969  
D514,788 S \* 2/2006 Schoenborn et al. .... D2/969  
D516,790 S \* 3/2006 Stryjak et al. .... D2/969  
D598,190 S \* 8/2009 Weber ..... D2/969

\* cited by examiner

*Primary Examiner*—Dominic Simone

(74) *Attorney, Agent, or Firm*—Lucas & Mercanti, LLP

(57) **CLAIM**

The ornamental design for a shoe upper, as shown and described.

**DESCRIPTION**

FIG. 1 is a perspective view of a shoe upper showing our new design;

FIG. 2 is an additional perspective view thereof;

FIG. 3 is a right side view thereof;

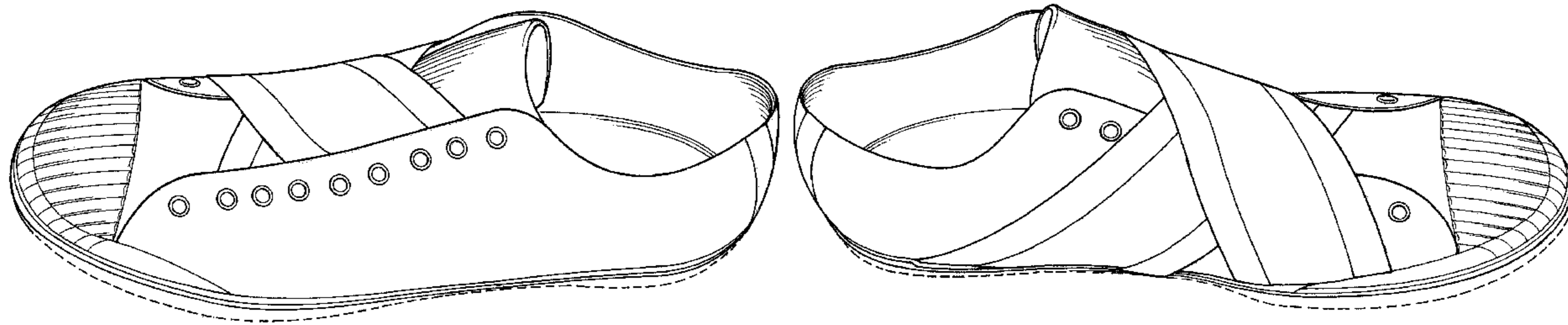
FIG. 4 is a left side view thereof;

FIG. 5 is a top view thereof;

FIG. 6 is a front view thereof; and,

FIG. 7 is a back view thereof.

**1 Claim, 7 Drawing Sheets**



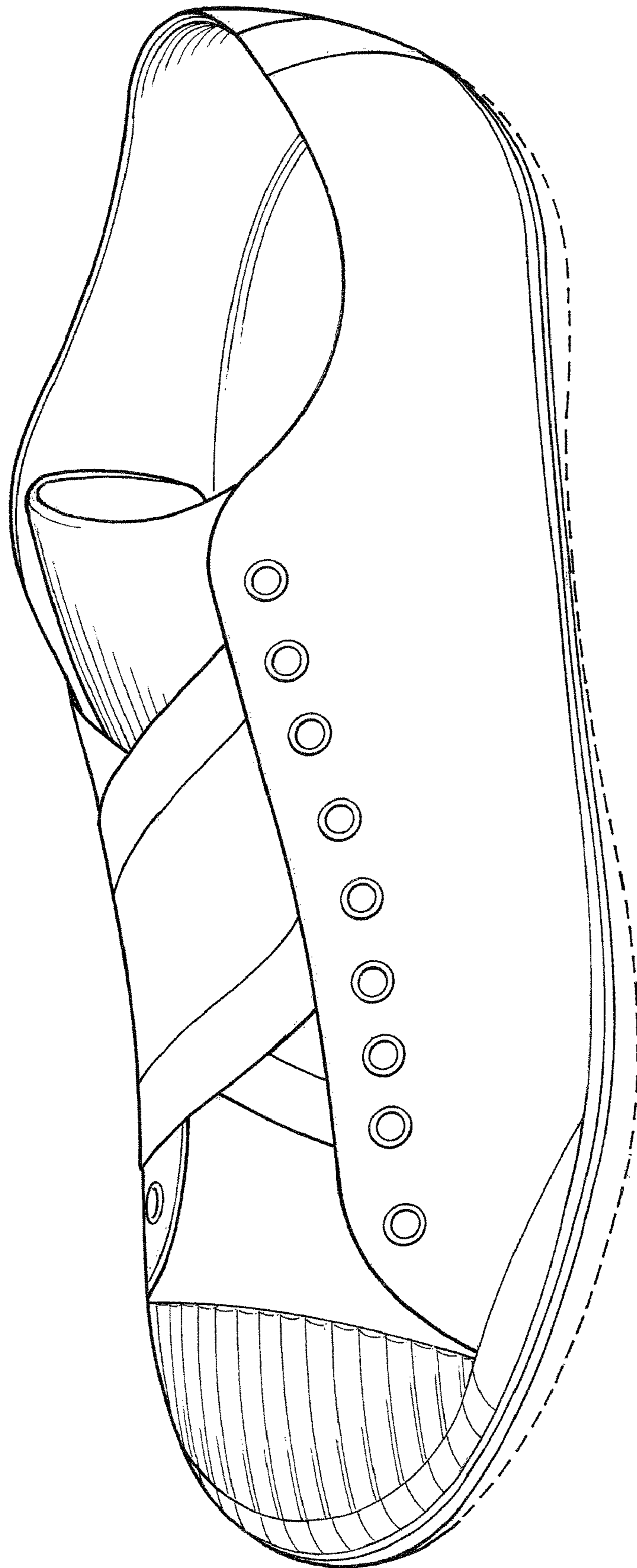


FIG. 1

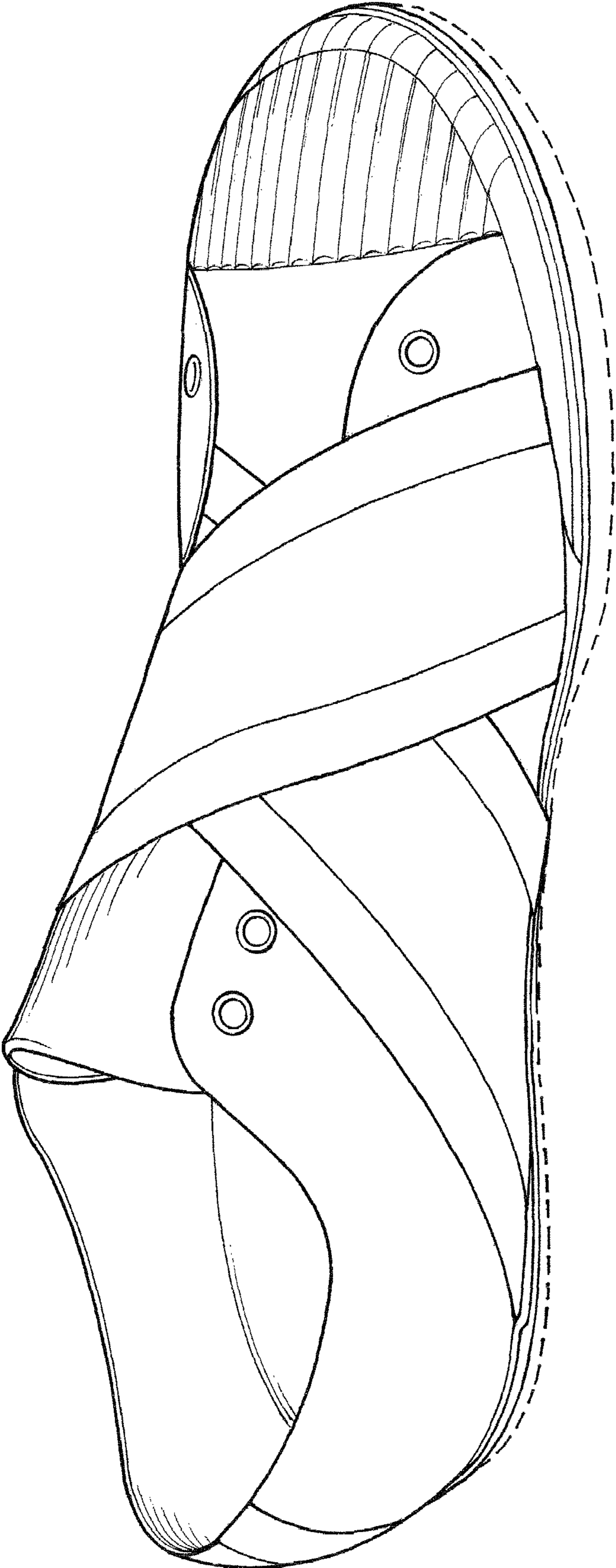


FIG. 2

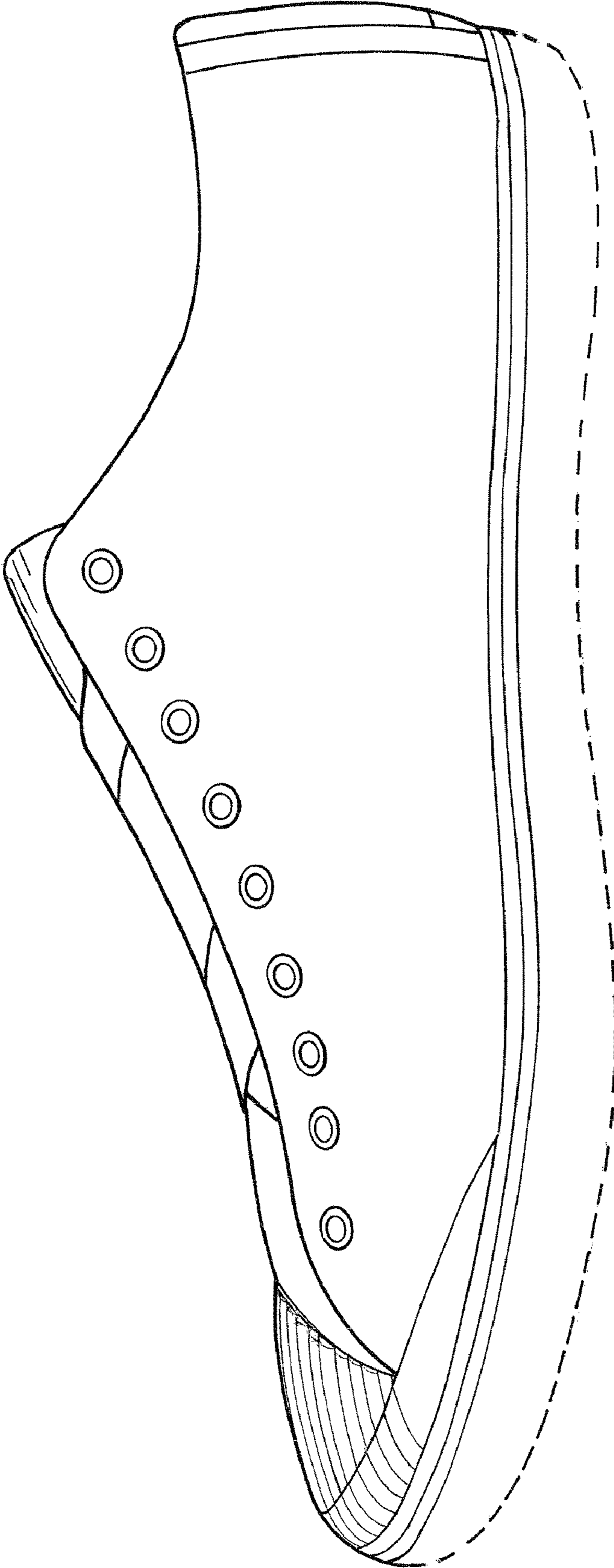


FIG. 3



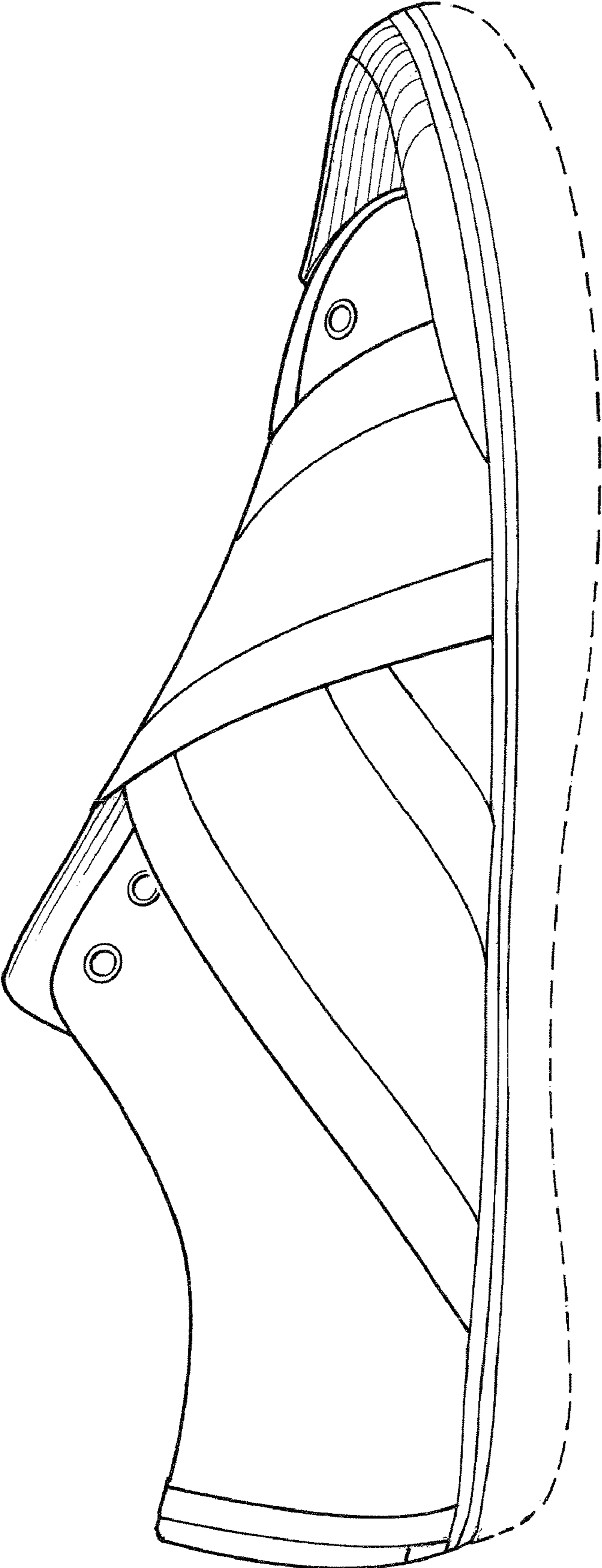


FIG. 4

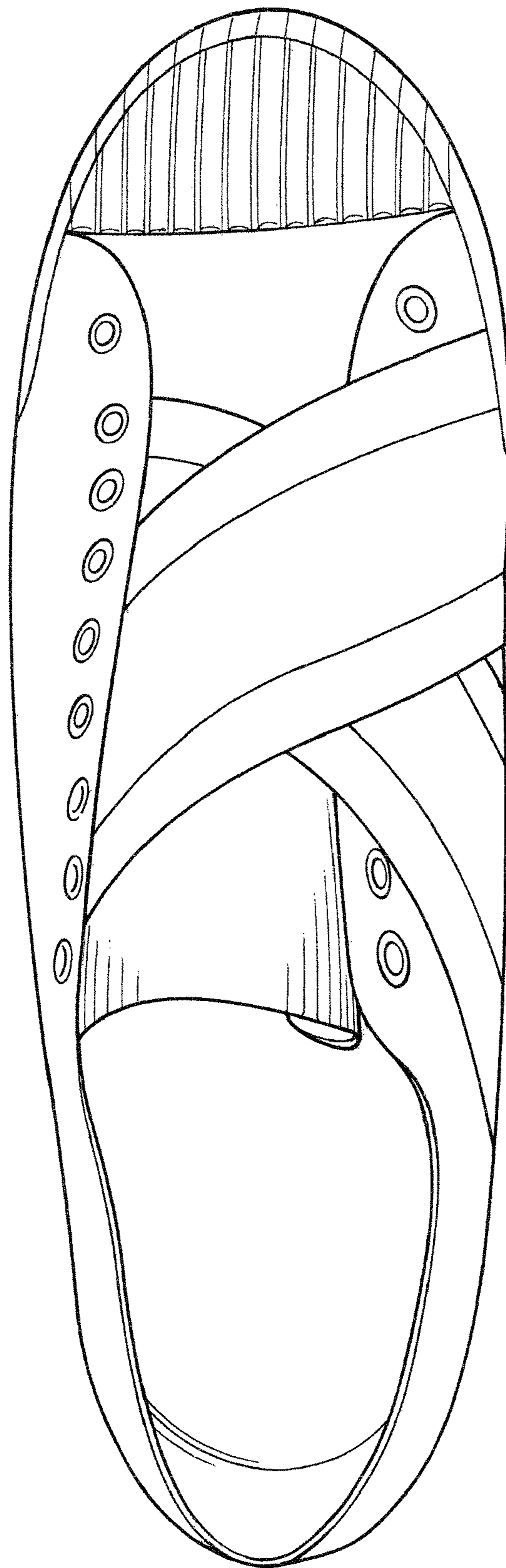


FIG. 5

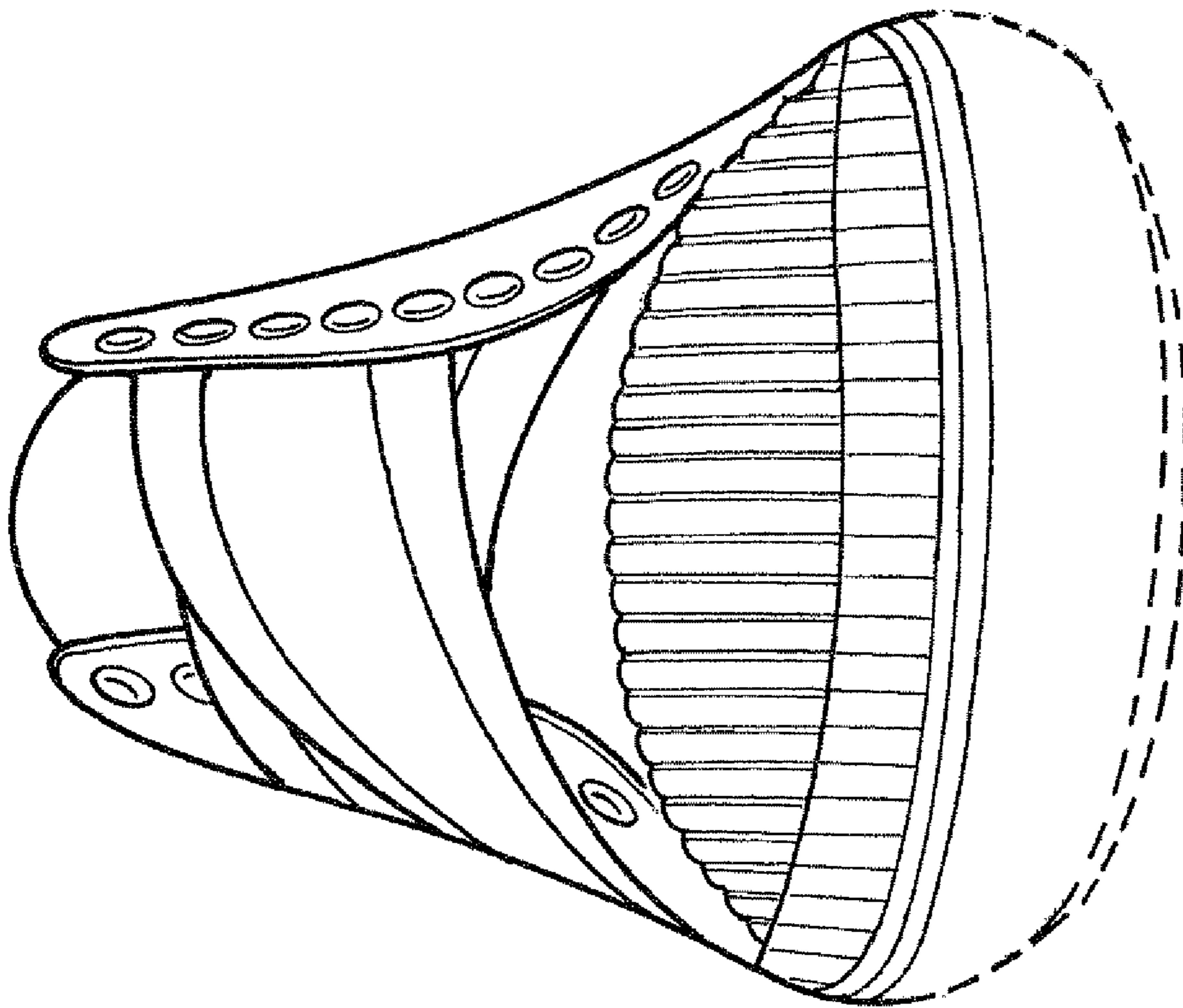


FIG. 6

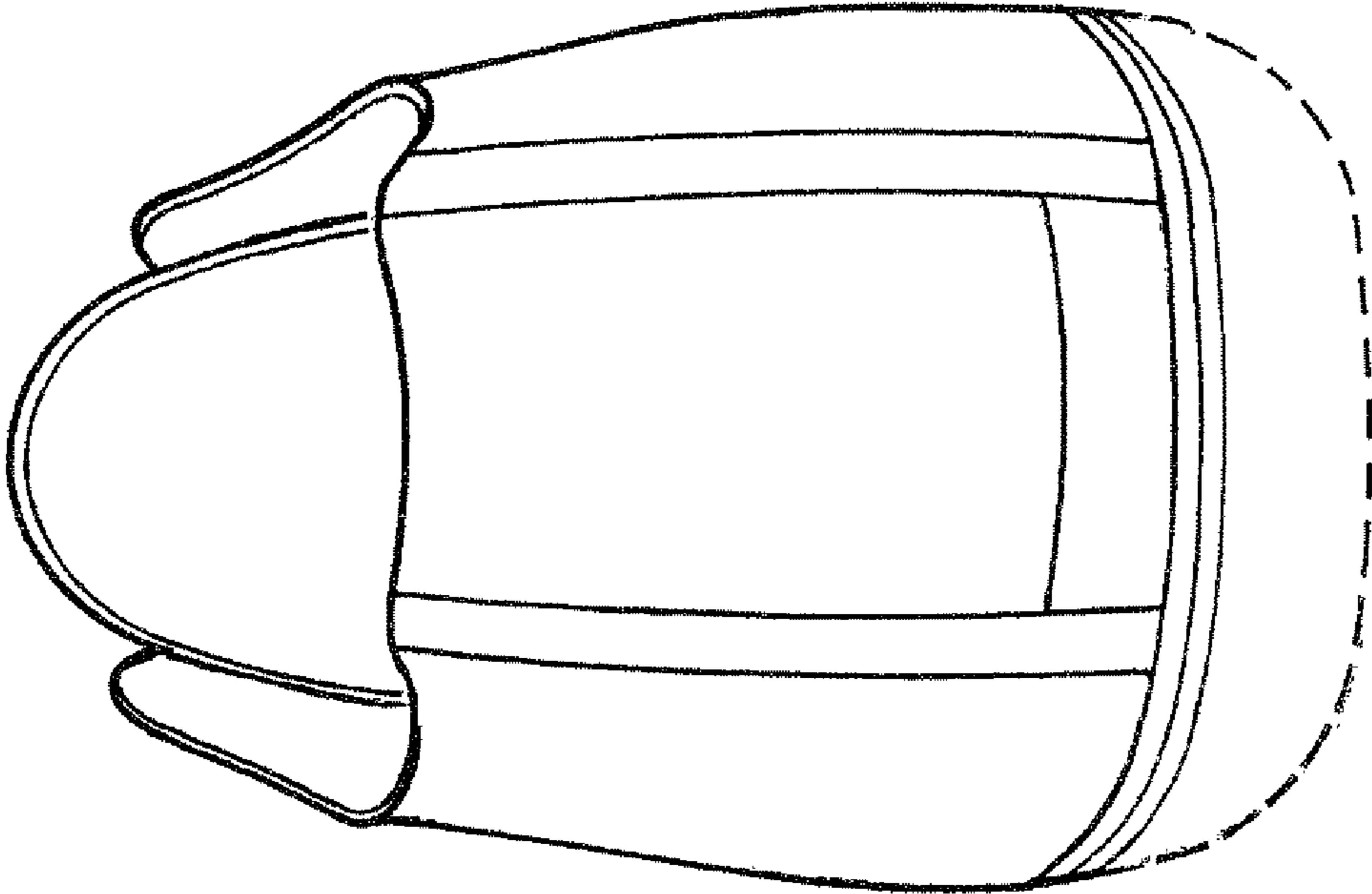


FIG. 7