



US00D609886S

(12) **United States Design Patent**
Murray

(10) **Patent No.:** **US D609,886 S**
(45) **Date of Patent:** **** Feb. 16, 2010**

(54) **SHOE WITH A TRANSPARENT POUCH**

(75) Inventor: **Carmen Murray**, Manhattan Beach, CA
(US)

(73) Assignee: **Title 9 Productions**, Los Angeles, CA
(US)

(**) Term: **14 Years**

(21) Appl. No.: **29/338,967**

(22) Filed: **Jun. 22, 2009**

(51) **LOC (9) Cl.** **02-04**

(52) **U.S. Cl.** **D2/923**

(58) **Field of Classification Search** D2/897,
D2/907, 923, 946, 969, 972; 36/45, 50.1,
36/83, 3 A, 3 B, 8.3

See application file for complete search history.

(56) **References Cited**

U.S. PATENT DOCUMENTS

345,853 A	7/1886	Lips	
D175,983 S *	11/1955	Sandler	D2/923
D186,155 S *	9/1959	Bianchini	D2/923
D205,755 S *	9/1966	Slade	D2/909
D265,266 S *	7/1982	Snyder	D2/897
4,536,975 A	8/1985	Harrell	
4,611,416 A	9/1986	Lin	
5,094,016 A	3/1992	DiVito	
5,452,479 A	9/1995	Mostert	
5,548,847 A	8/1996	Spicijaric	
5,581,813 A	12/1996	Henschel	
5,839,211 A	11/1998	Pallera	
6,076,049 A	6/2000	Moir	
D464,478 S *	10/2002	Belley et al.	D2/969
D474,003 S *	5/2003	Della Valle	D2/923
D481,860 S *	11/2003	Robbins	D2/969

6,715,220 B1	4/2004	Isenberg	
D492,473 S *	7/2004	White	D2/907
7,318,290 B2	1/2008	Jones et al.	
D563,634 S *	3/2008	Della Valle	D2/923
D587,882 S *	3/2009	Wolf	D2/909

FOREIGN PATENT DOCUMENTS

DE	10321314	12/2004
DE	202005015954	1/2006
GB	1347424	2/1974

* cited by examiner

Primary Examiner—Stella M Reid

Assistant Examiner—Rashida C McCoy

(74) *Attorney, Agent, or Firm*—Blakely, Sokoloff, Taylor & Zafman LLP

(57) **CLAIM**

The ornamental design for a shoe with a transparent pouch, as shown and described.

DESCRIPTION

FIG. 1 is a left side view of a shoe with transparent pouch, showing my new design;

FIG. 2 is a right side thereof;

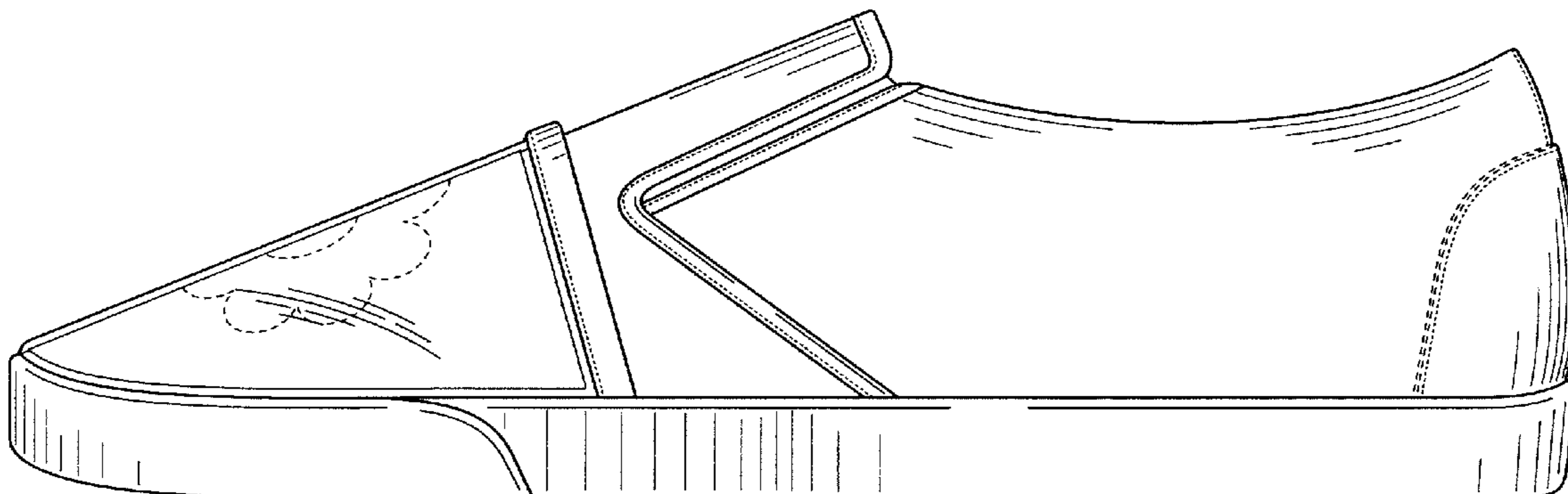
FIG. 3 is a top view thereof;

FIG. 4 is a front view thereof; and,

FIG. 5 is a rear view thereof.

The broken lines in the figures are for environmental purpose only and form no part of the claimed design. Viewpoints not illustrated present no additional ornamental features over those illustrated in the present set of drawings. The bottom view of the shoe is flat and devoid of surface ornamentation.

1 Claim, 4 Drawing Sheets



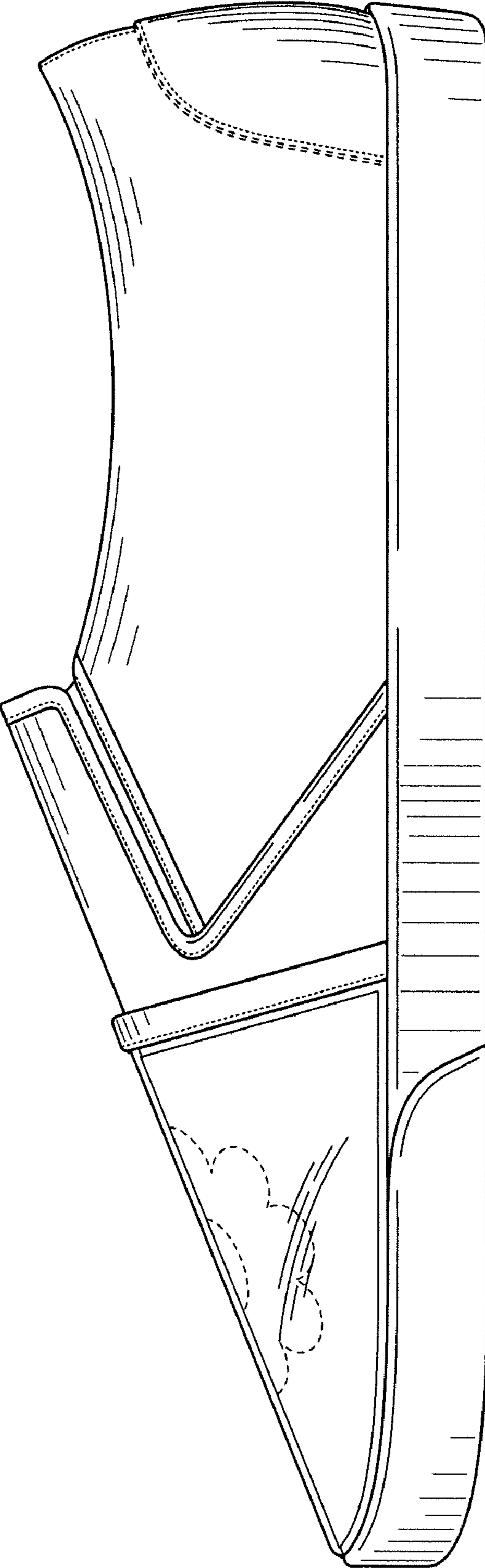


FIG. 1

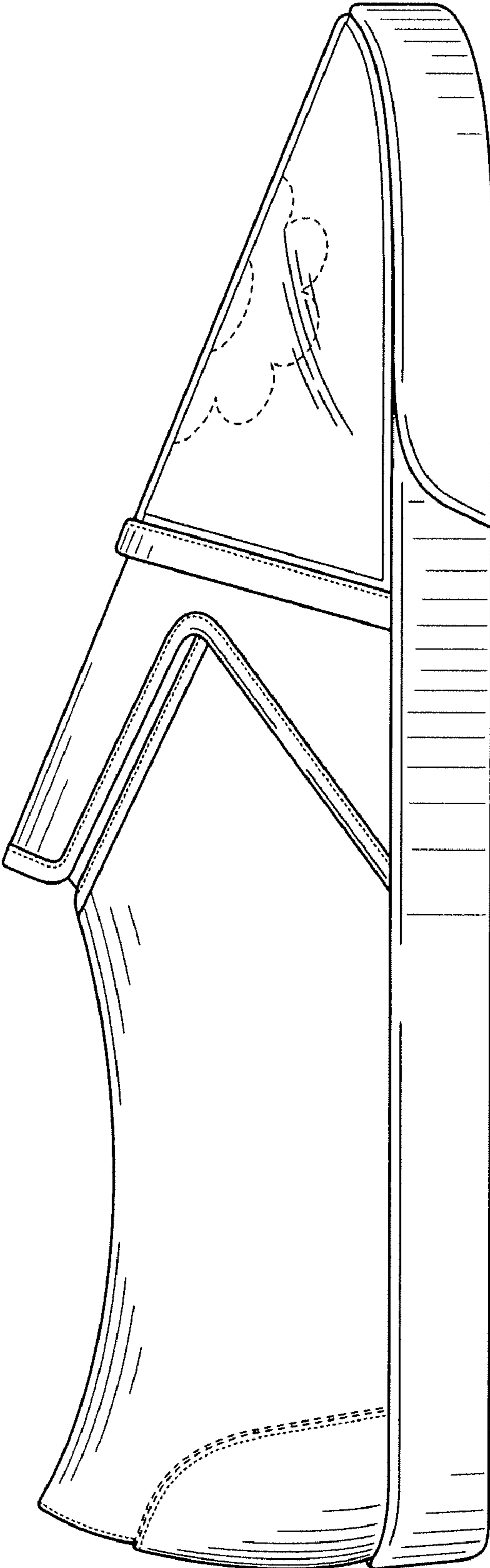


FIG. 2

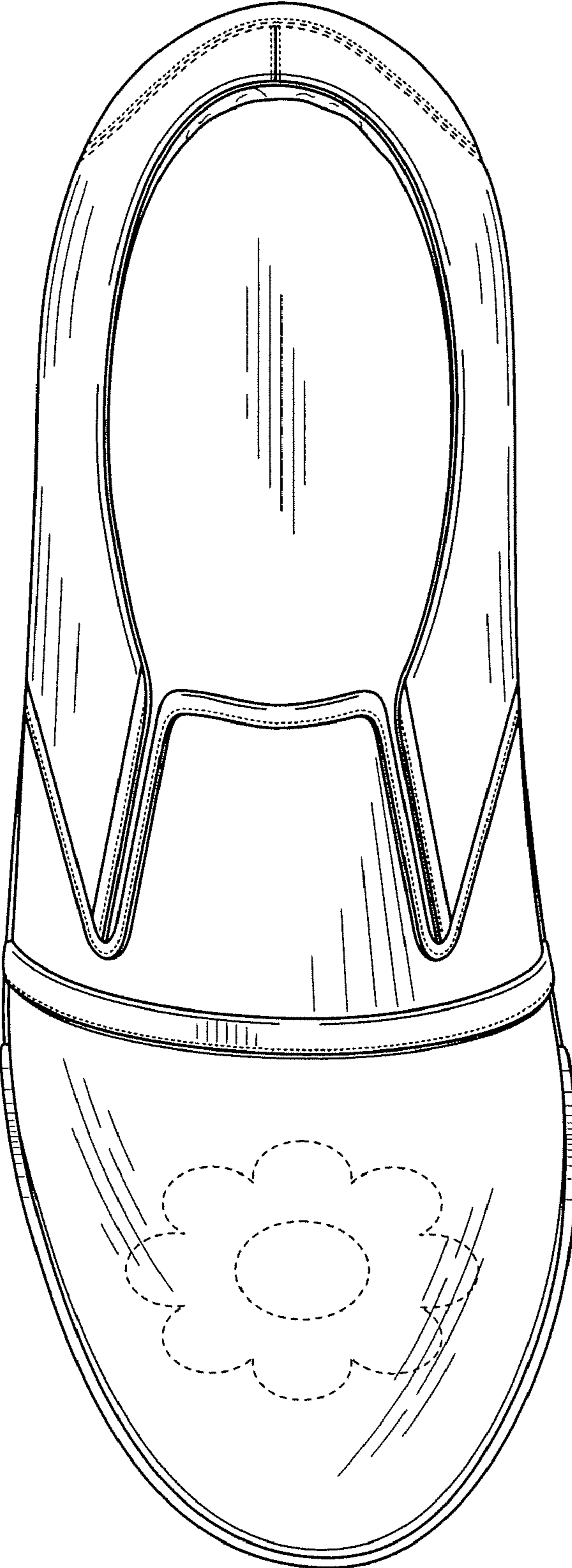


FIG. 3

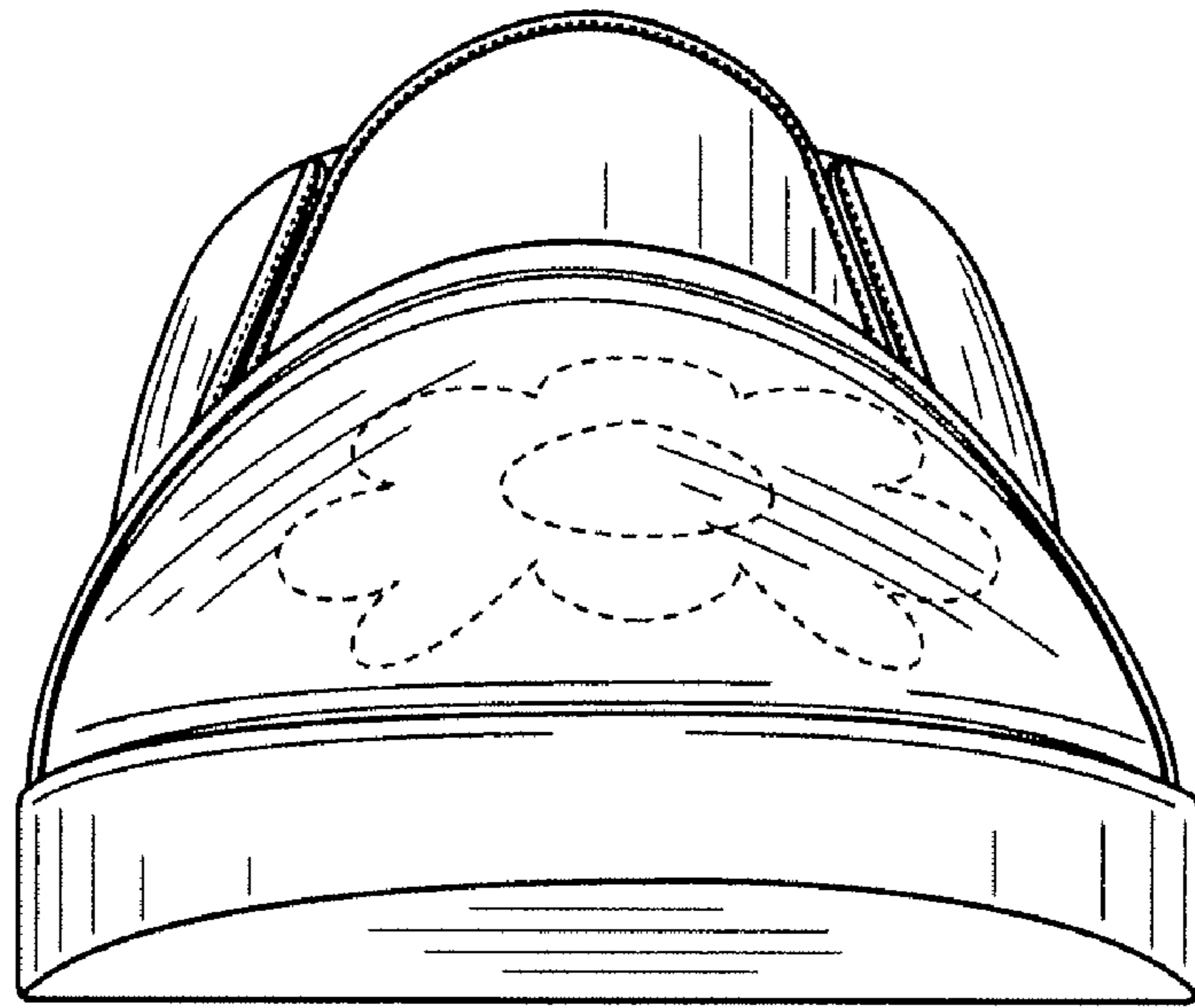


FIG. 4

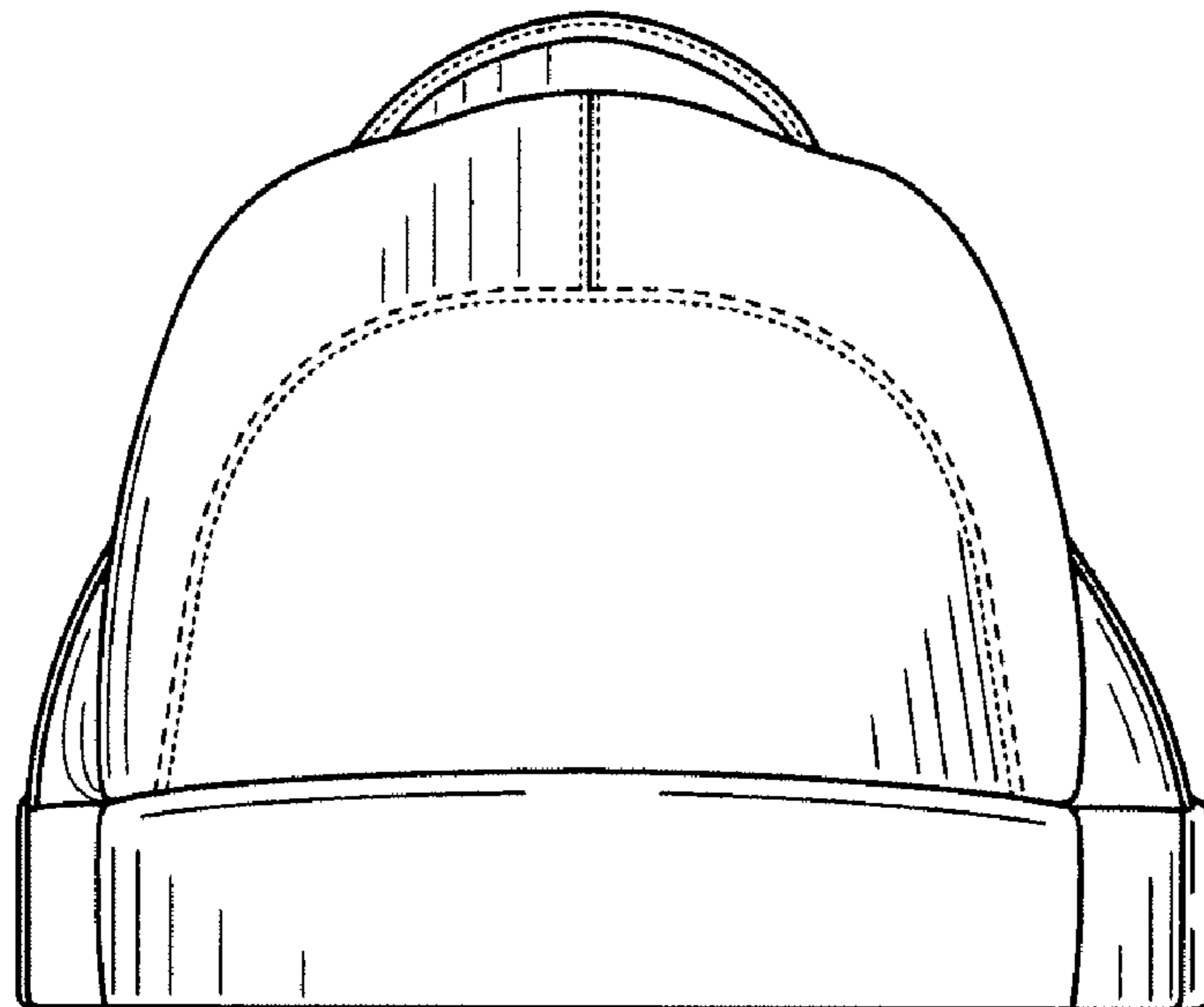


FIG. 5