



US00D609883S

(12) **United States Design Patent**
Cunliffe

(10) **Patent No.:** **US D609,883 S**
(45) **Date of Patent:** **** Feb. 16, 2010**

(54) **VISOR WITH THREE LOOPS**

(76) **Inventor:** **Stephen Edson Cunliffe**, P.O. Box 131,
Rancho Santa Fe, CA (US) 92067

(**) **Term:** **14 Years**

(21) **Appl. No.:** **29/339,389**

(22) **Filed:** **Jun. 30, 2009**

(51) **LOC (9) Cl.** **02-03**

(52) **U.S. Cl.** **D2/876**

(58) **Field of Classification Search** D2/865,
D2/866, 871, 872, 873, 874, 875, 876, 877,
D2/878, 879, 880, 881, 882, 883, 884, 886,
D2/888, 891, 893; 2/171, 181, 181.2, 181.4,
2/181.6, 181.8, 182.1, 182.2, 182.3, 182.4,
2/182.5, 182.6, 182.7, 182.8, 183, 184, 209.11,
2/209.12, 209.13, 175.1, 195.1, 195.2, 195.3,
2/195.4

See application file for complete search history.

(56) **References Cited**

U.S. PATENT DOCUMENTS

D176,449 S *	12/1955	Coleman	D28/41
D236,661 S *	9/1975	Weaver	D2/876
D316,173 S *	4/1991	Morris, Jr.	D2/876
D347,723 S *	6/1994	Navis	D2/871
D366,558 S *	1/1996	Galper et al.	D2/872
D412,774 S *	8/1999	Shwartz	D2/876

D423,194 S *	4/2000	Shwartz	D2/876
D507,092 S *	7/2005	Kim	D2/876
D527,870 S *	9/2006	Kim	D2/876
D529,262 S *	10/2006	Yan	D2/876
7,137,146 B2 *	11/2006	Yan	2/12
D557,727 S *	12/2007	Yun	D16/309
2003/0221234 A1 *	12/2003	Wang	2/12
2006/0143786 A1 *	7/2006	Kim	2/171

* cited by examiner

Primary Examiner—Elizabeth A Albert

Assistant Examiner—Karen E Eldridge Powers

(74) *Attorney, Agent, or Firm*—InterContinental IP; Eric Hanscom; Todd J. Langford

(57) **CLAIM**

The ornamental design for a visor with three loops, as shown and described.

DESCRIPTION

FIG. 1 is a perspective view of a visor with three loops showing my new design;

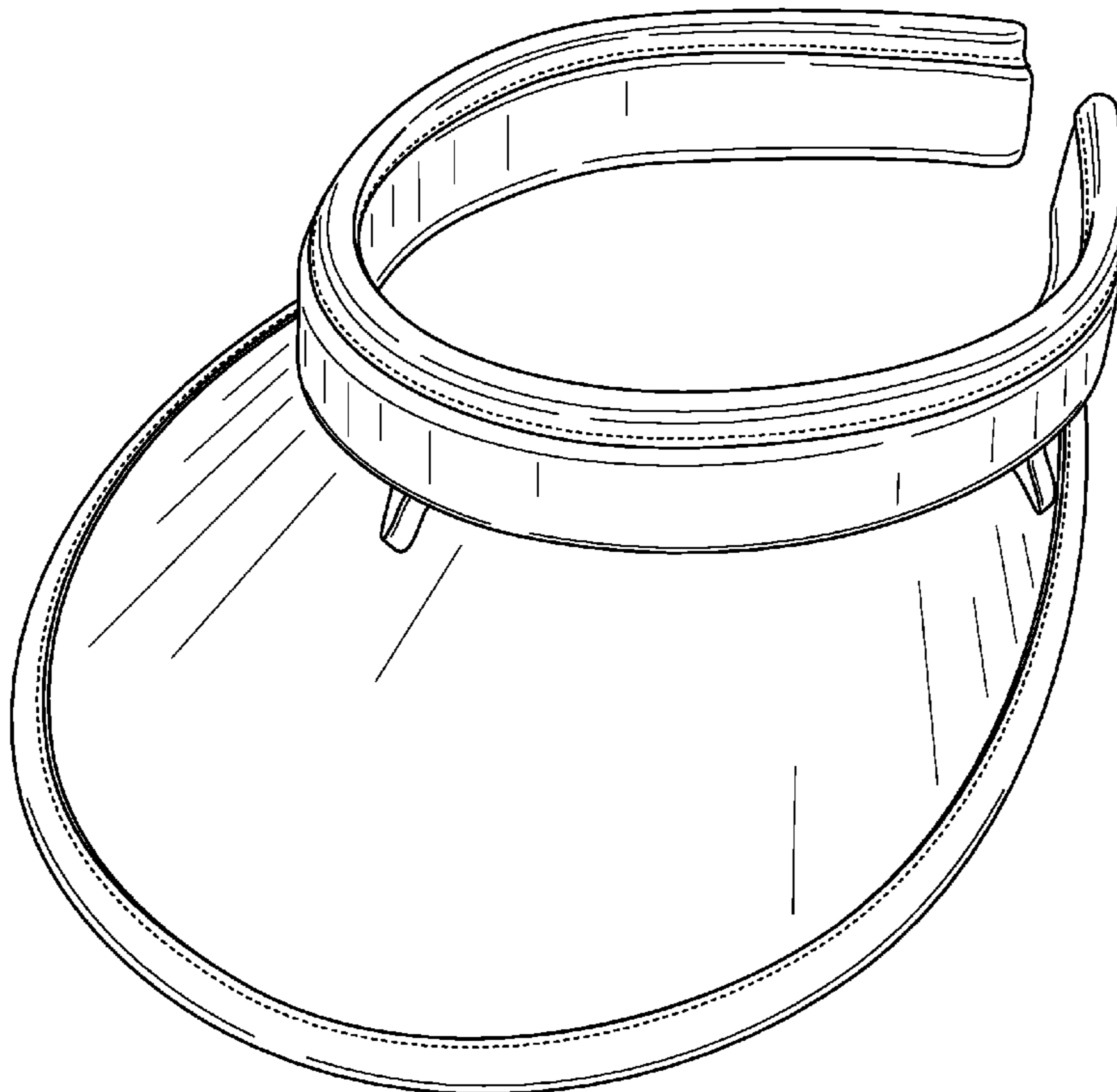
FIG. 2 is a front view thereof;

FIG. 3 is a right-side view thereof; and,

FIG. 4 is a top view thereof.

The broken lines shown along the edge of the bill and the headband portion are lines of stitching and form a part of the claimed design.

1 Claim, 4 Drawing Sheets



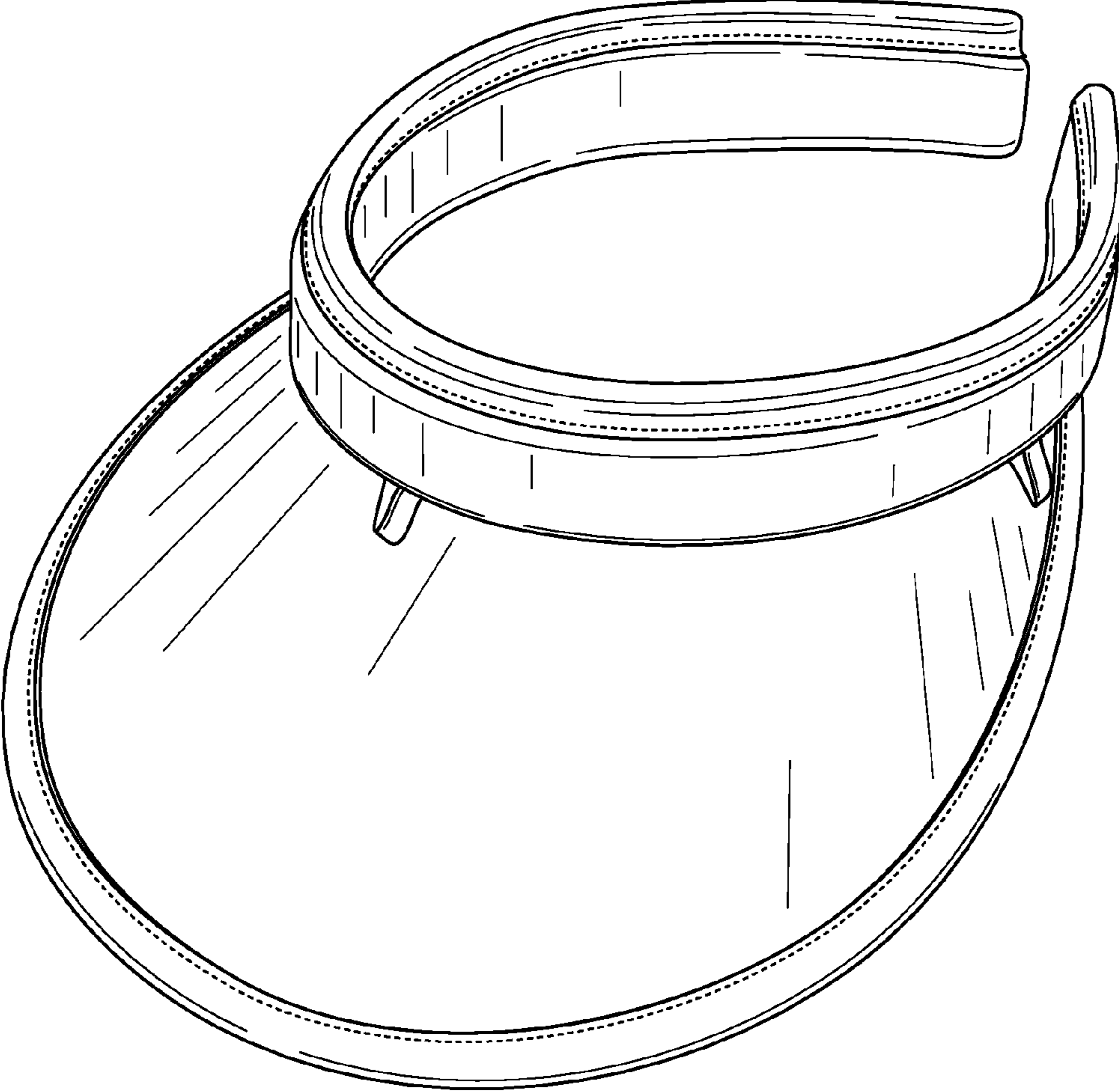


FIG. 1

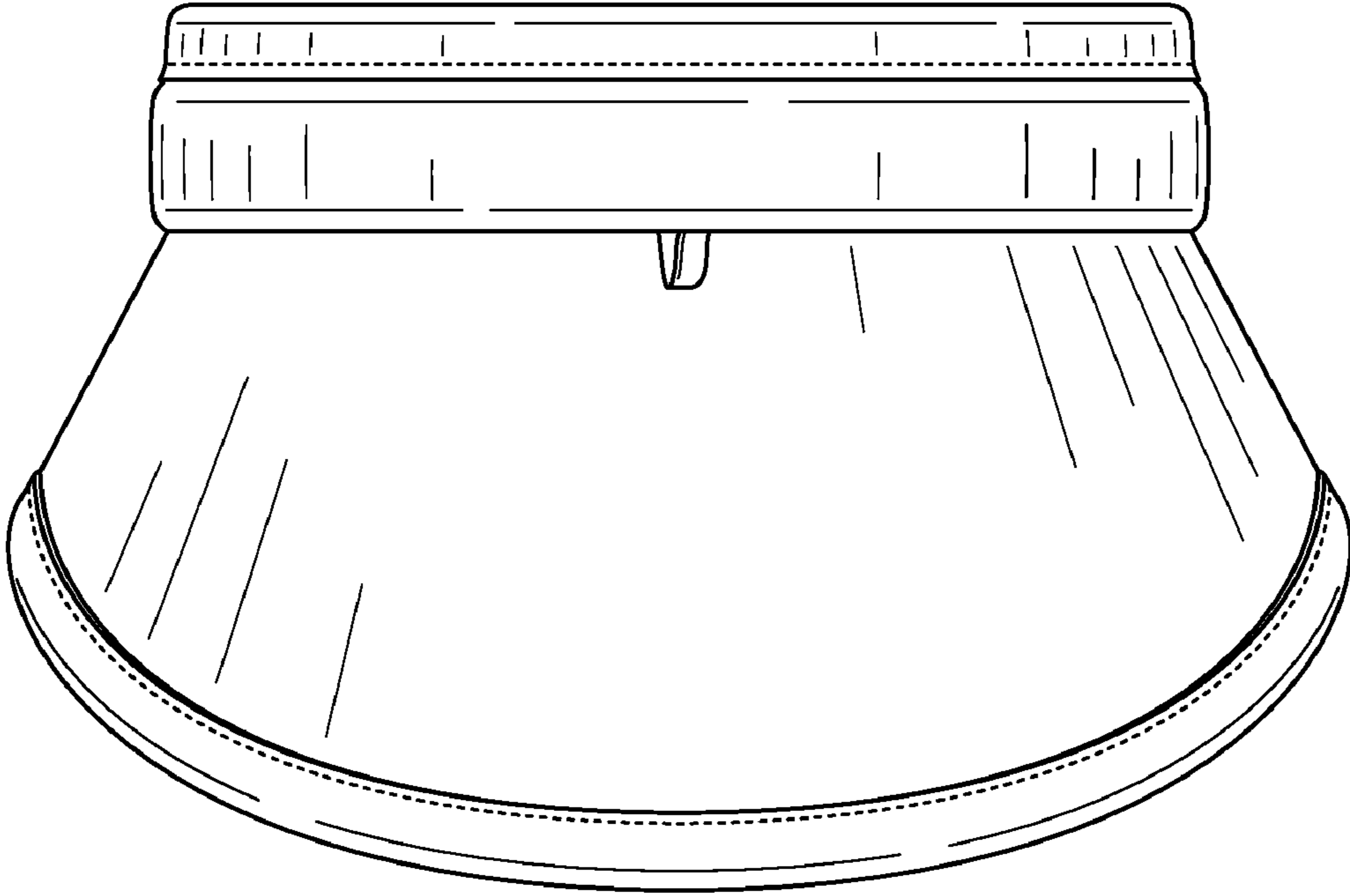


FIG. 2

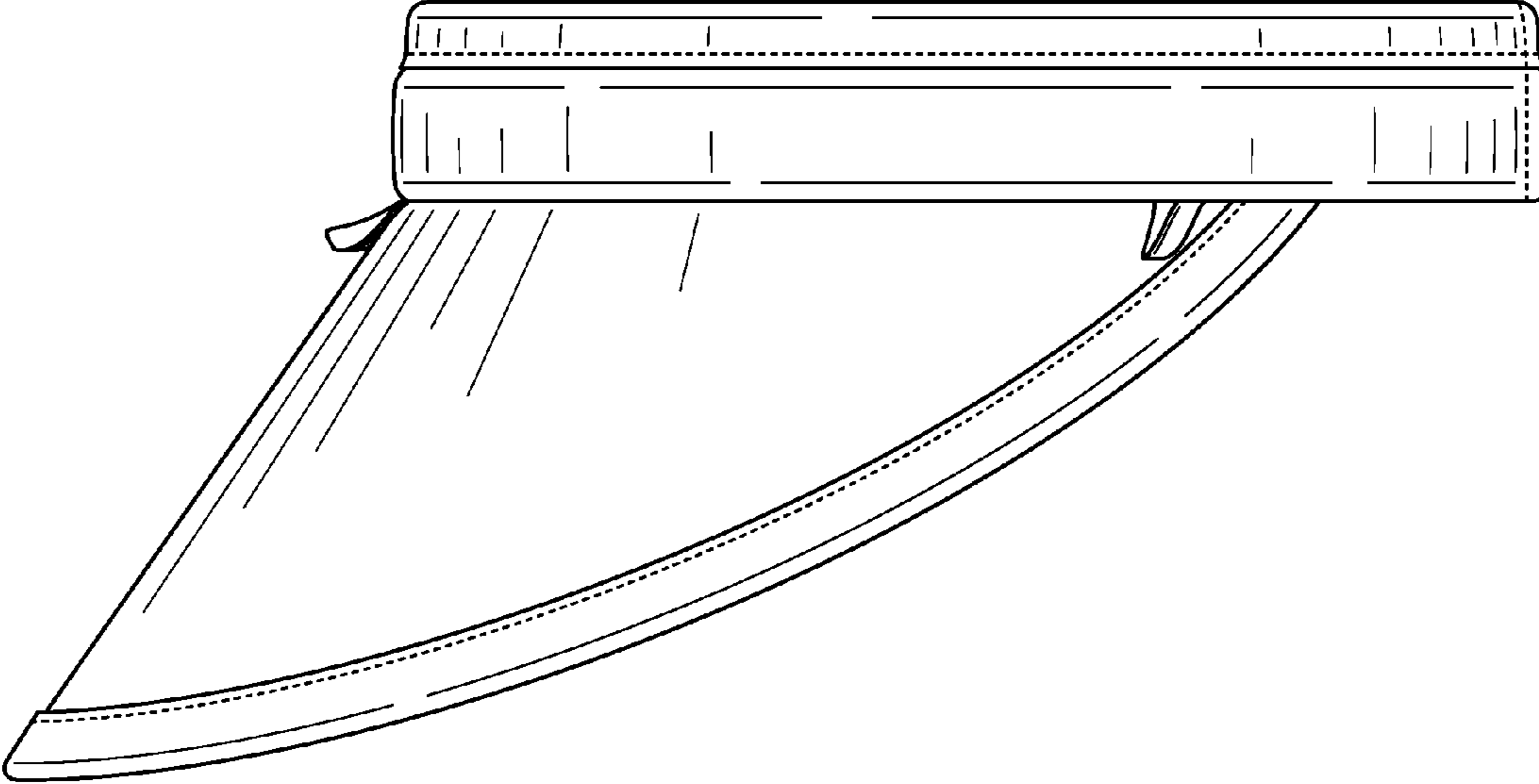


FIG. 3

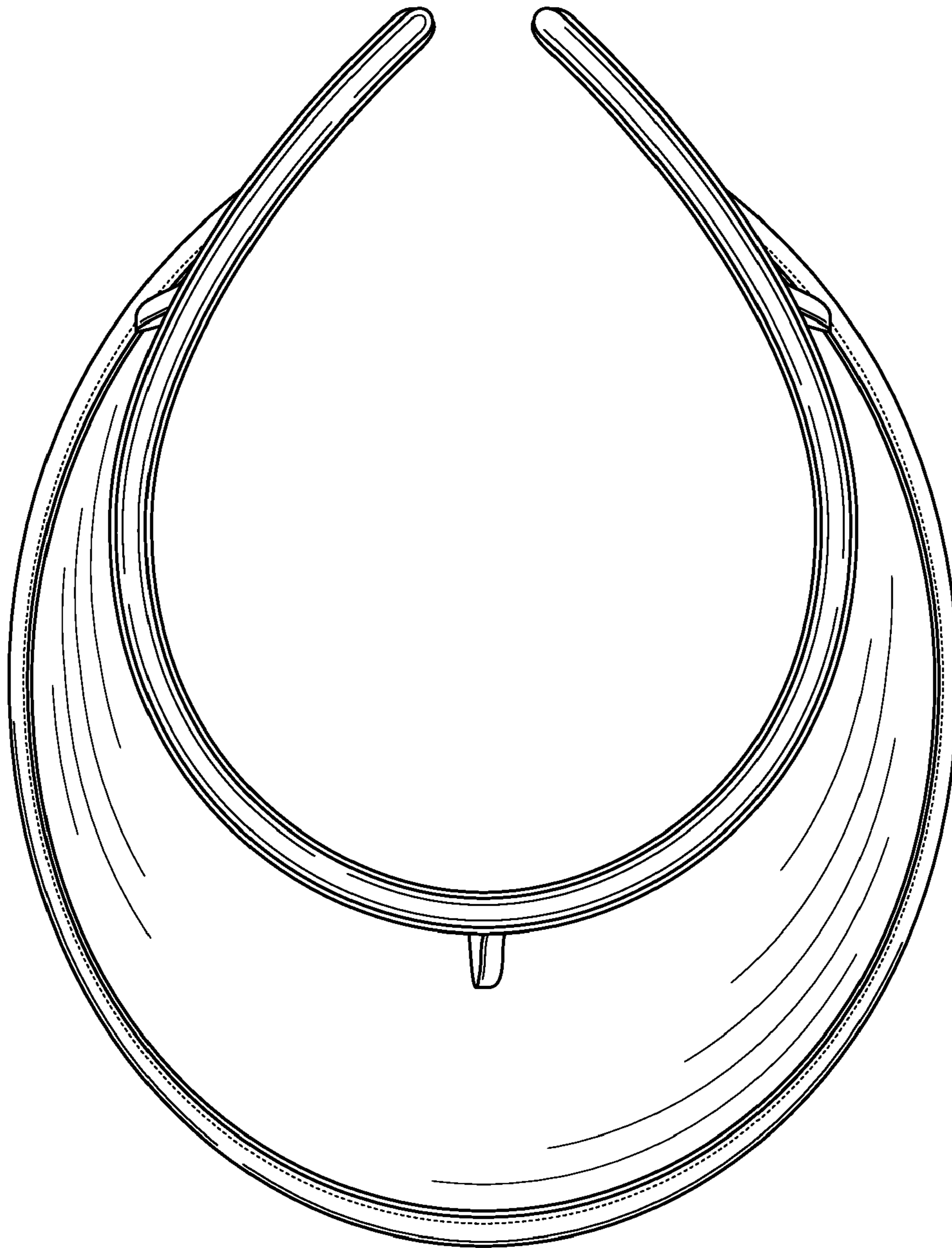


FIG. 4