

US00D609875S

(12) **United States Design Patent**  
**Spiers**

(10) **Patent No.:** **US D609,875 S**

(45) **Date of Patent:** **\*\* Feb. 9, 2010**

(54) **COVER**

(76) **Inventor:** **David Spiers**, 52c Forest Hill, Conlig,  
Newtownards, Co. Down BT23 7FL  
(GB)

(\*\*) **Term:** **14 Years**

(21) **Appl. No.:** **29/332,839**

(22) **Filed:** **Feb. 26, 2009**

(30) **Foreign Application Priority Data**  
Aug. 26, 2008 (EM) ..... 000991393

(51) **LOC (9) Cl.** ..... **99-00**

(52) **U.S. Cl.** ..... **D99/12**

(58) **Field of Classification Search** ..... D99/1-24;  
27/1-8, 14, 27, 30; 52/103; 40/124.5

See application file for complete search history.

(56) **References Cited**

**U.S. PATENT DOCUMENTS**

D192,773 S \* 5/1962 Flowers ..... D99/20  
D300,978 S \* 5/1989 Bethune et al. .... D99/1  
D333,372 S \* 2/1993 Fenney ..... D99/1

\* cited by examiner

*Primary Examiner*—T. Chase Nelson  
*Assistant Examiner*—Michael A Pratt  
(74) *Attorney, Agent, or Firm*—Christopher & Weisberg, P.A.

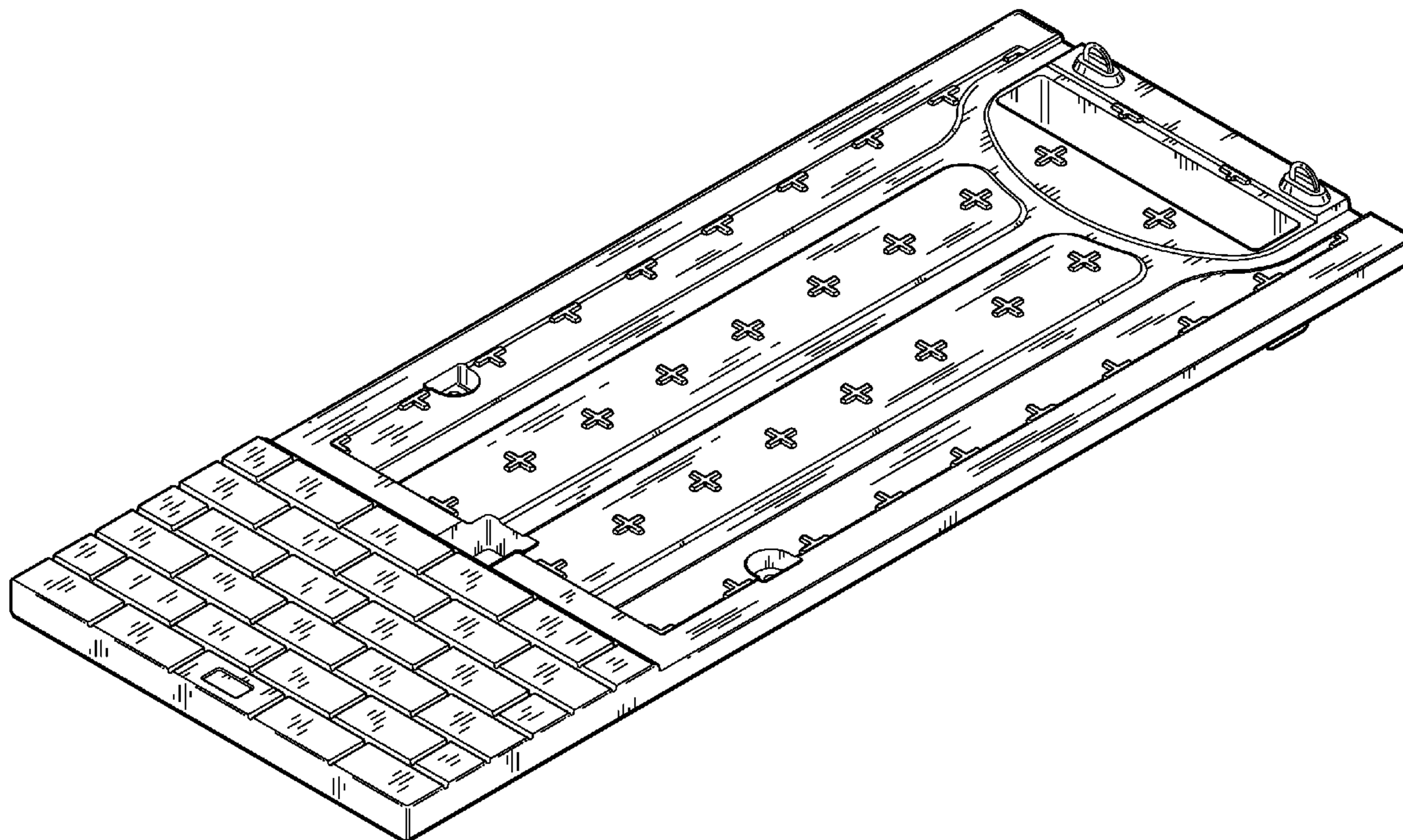
(57) **CLAIM**

The ornamental design for a cover, as shown and described.

**DESCRIPTION**

FIG. 1 is a perspective view of the cover;  
FIG. 2 is a top view thereof;  
FIG. 3 is an end view thereof;  
FIG. 4 is a side view thereof; and,  
FIG. 5 is a side view from the side opposite that shown in FIG. 4.

**1 Claim, 5 Drawing Sheets**



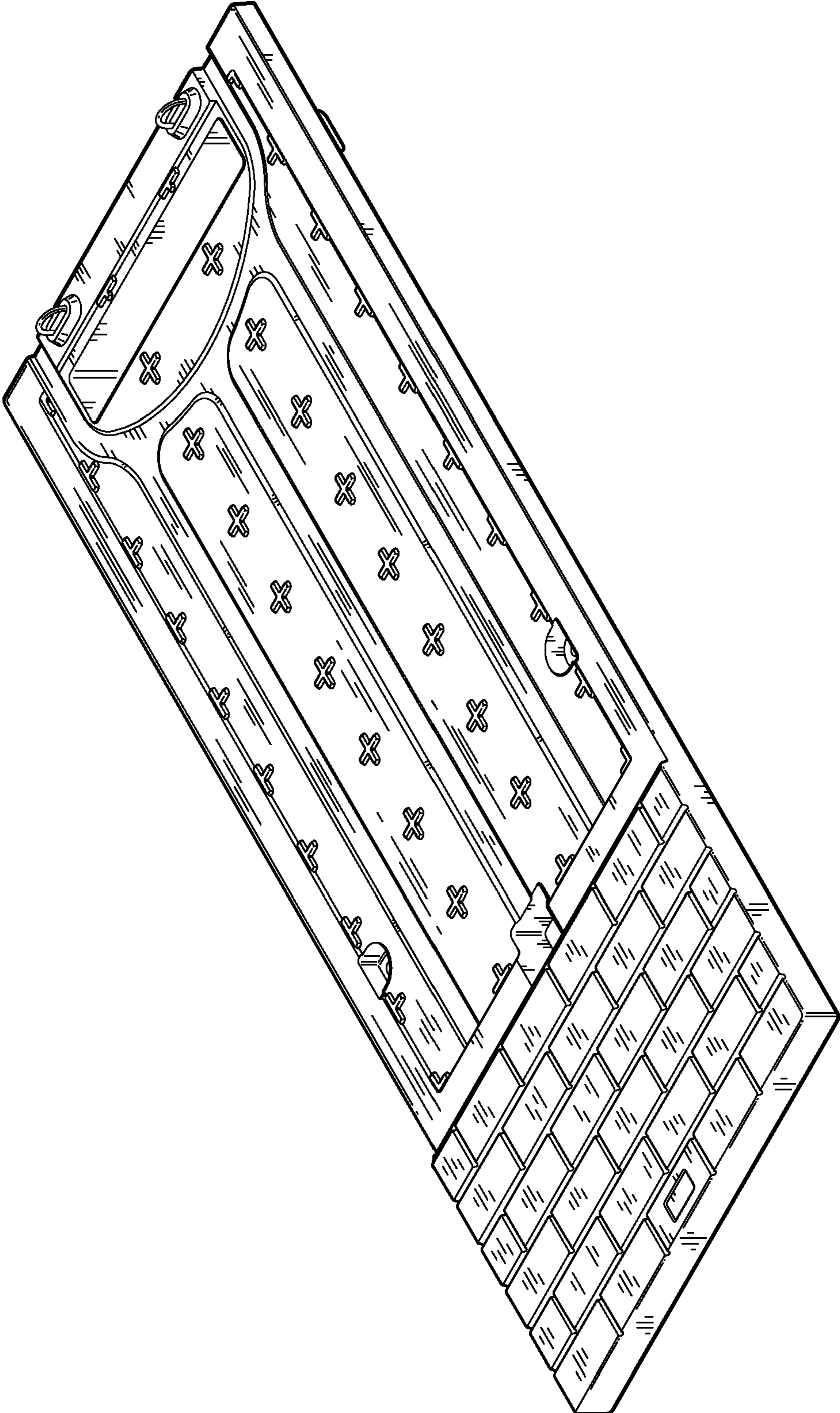


Fig. 1

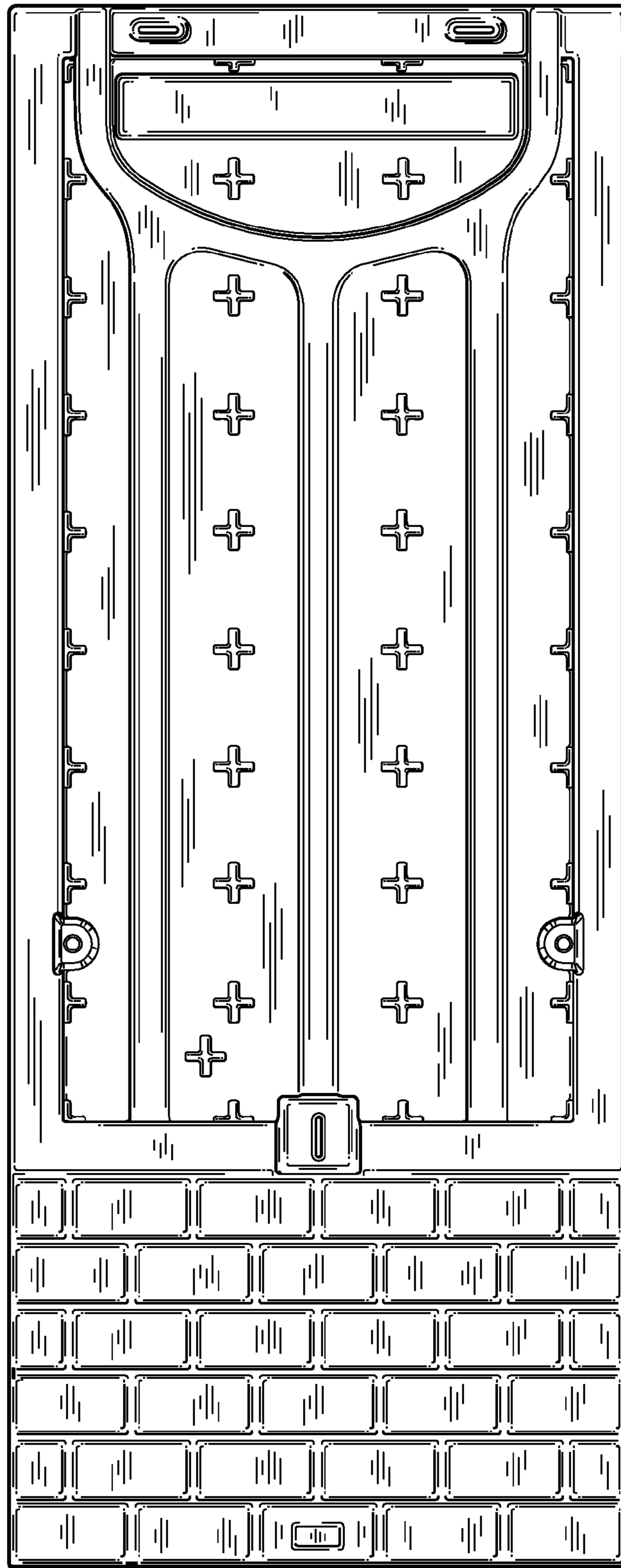


Fig. 2

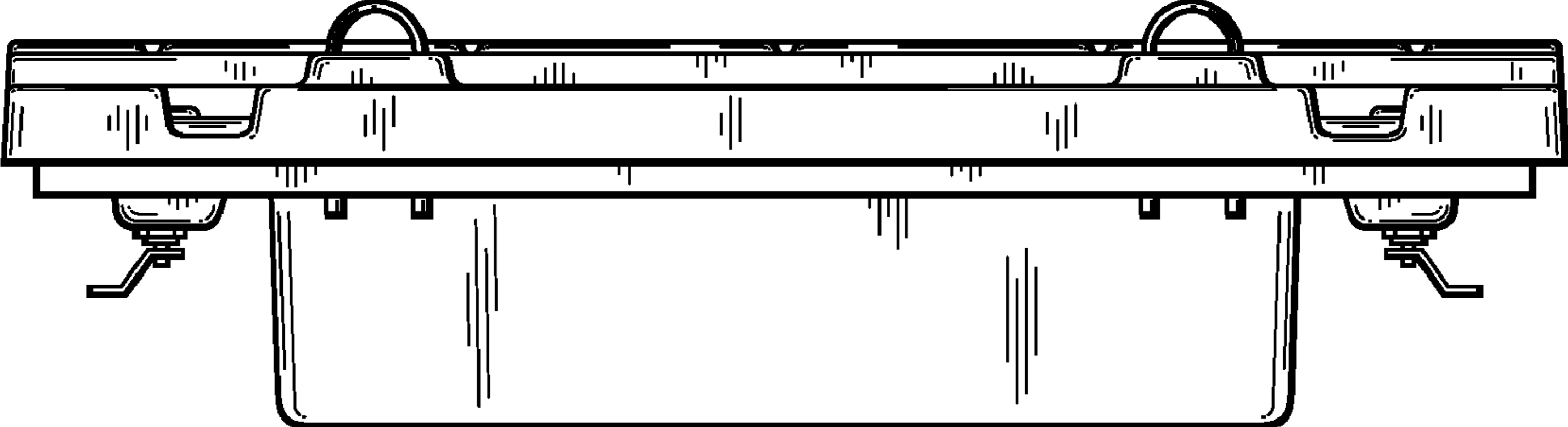


Fig. 3

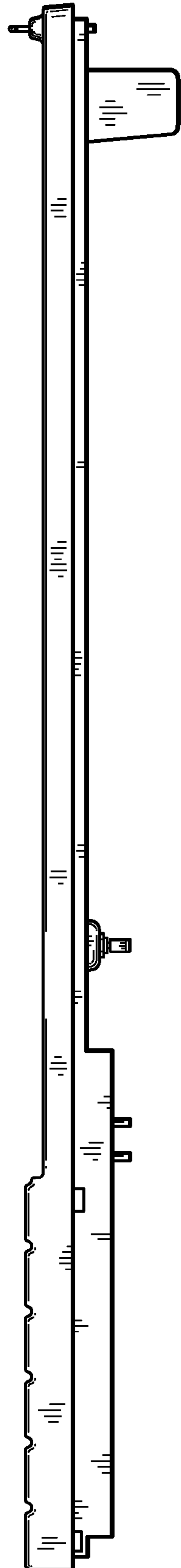


Fig. 4

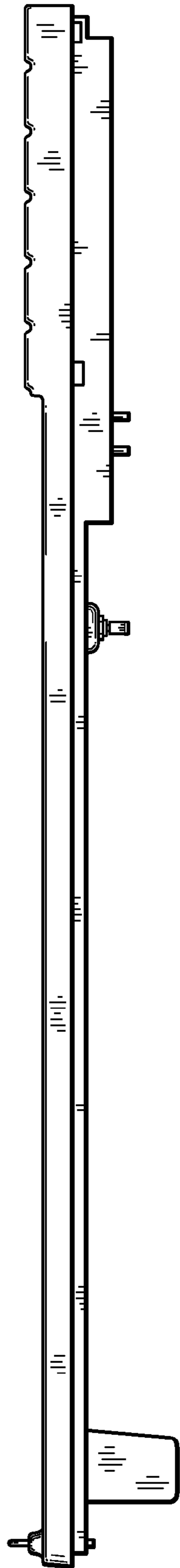


Fig. 5