



US00D609873S

(12) **United States Design Patent**  
**Rey**

(10) **Patent No.:** **US D609,873 S**

(45) **Date of Patent:** **\*\* Feb. 9, 2010**

(54) **TRASH CAN**

(76) Inventor: **Daniel Hunter Rey**, 21095 Quail La.,  
Bend, OR (US) 97701

(\*\*) Term: **14 Years**

(21) Appl. No.: **29/293,219**

(22) Filed: **Nov. 8, 2007**

(51) **LOC (9) Cl.** ..... **09-09**

(52) **U.S. Cl.** ..... **D34/7**

(58) **Field of Classification Search** ..... D34/5,  
D34/6, 7, 9, 1; 220/908-913; 280/47.26  
See application file for complete search history.

(56) **References Cited**

U.S. PATENT DOCUMENTS

D323,912 S *	2/1992	Delmerico	.....	D34/5
D355,741 S *	2/1995	Craft et al.	.....	D34/5
D398,120 S *	9/1998	Rehrig et al.	.....	D34/5
D416,367 S *	11/1999	Dickinson et al.	.....	D34/5
6,039,200 A *	3/2000	Armor	.....	220/263
D532,173 S *	11/2006	Aiken et al.	.....	D34/5

D564,722 S *	3/2008	Hogarth et al.	.....	D34/5
2003/0213808 A1 *	11/2003	Berger	.....	220/832
2004/0074913 A1 *	4/2004	McDade et al.	.....	220/908.1
2006/0191949 A1 *	8/2006	Miller et al.	.....	220/835

\* cited by examiner

*Primary Examiner*—Cynthia E Ramirez

(74) *Attorney, Agent, or Firm*—Sheasby & Spear LLP

(57) **CLAIM**

The ornamental design for a trash can, as shown and described.

**DESCRIPTION**

FIG. 1 is a perspective view of a trash can showing my new design;

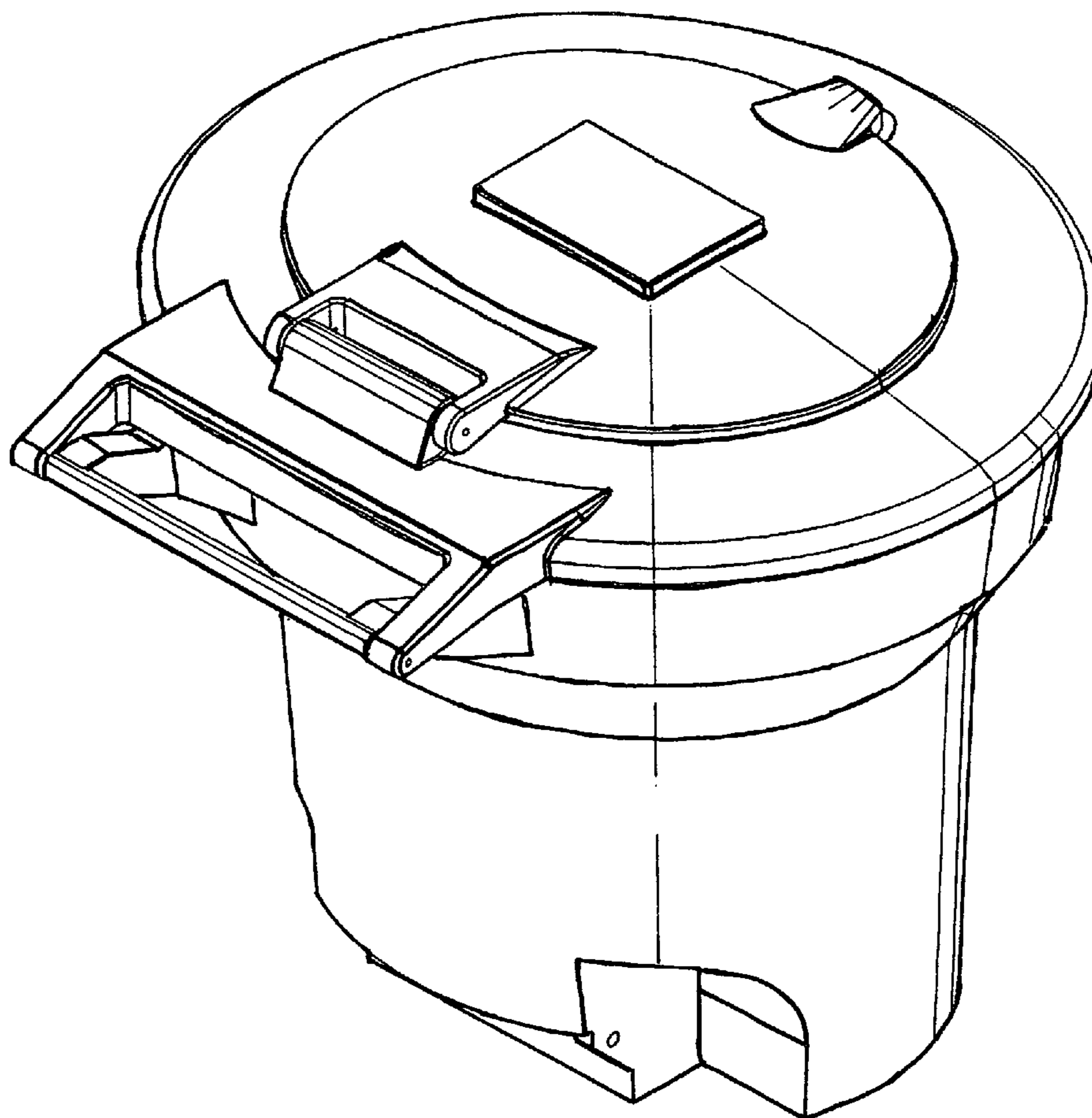
FIG. 2 is a right side elevational view thereof, with the left side being a mirror image;

FIG. 3 is a top plan view thereof;

FIG. 4 is a front elevational view thereof; and,

FIG. 5 is a rear elevational view thereof.

**1 Claim, 5 Drawing Sheets**



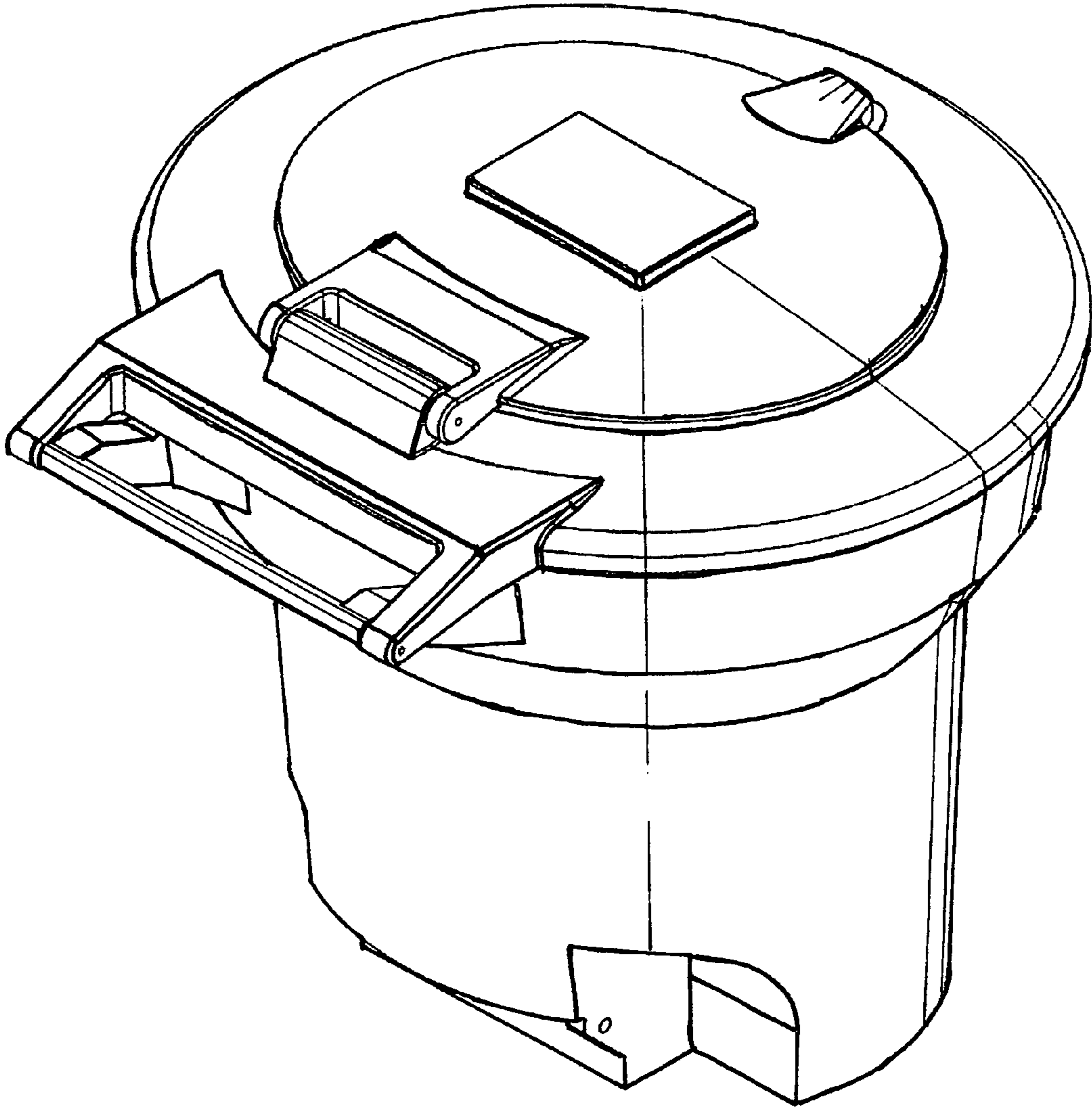


Figure 1

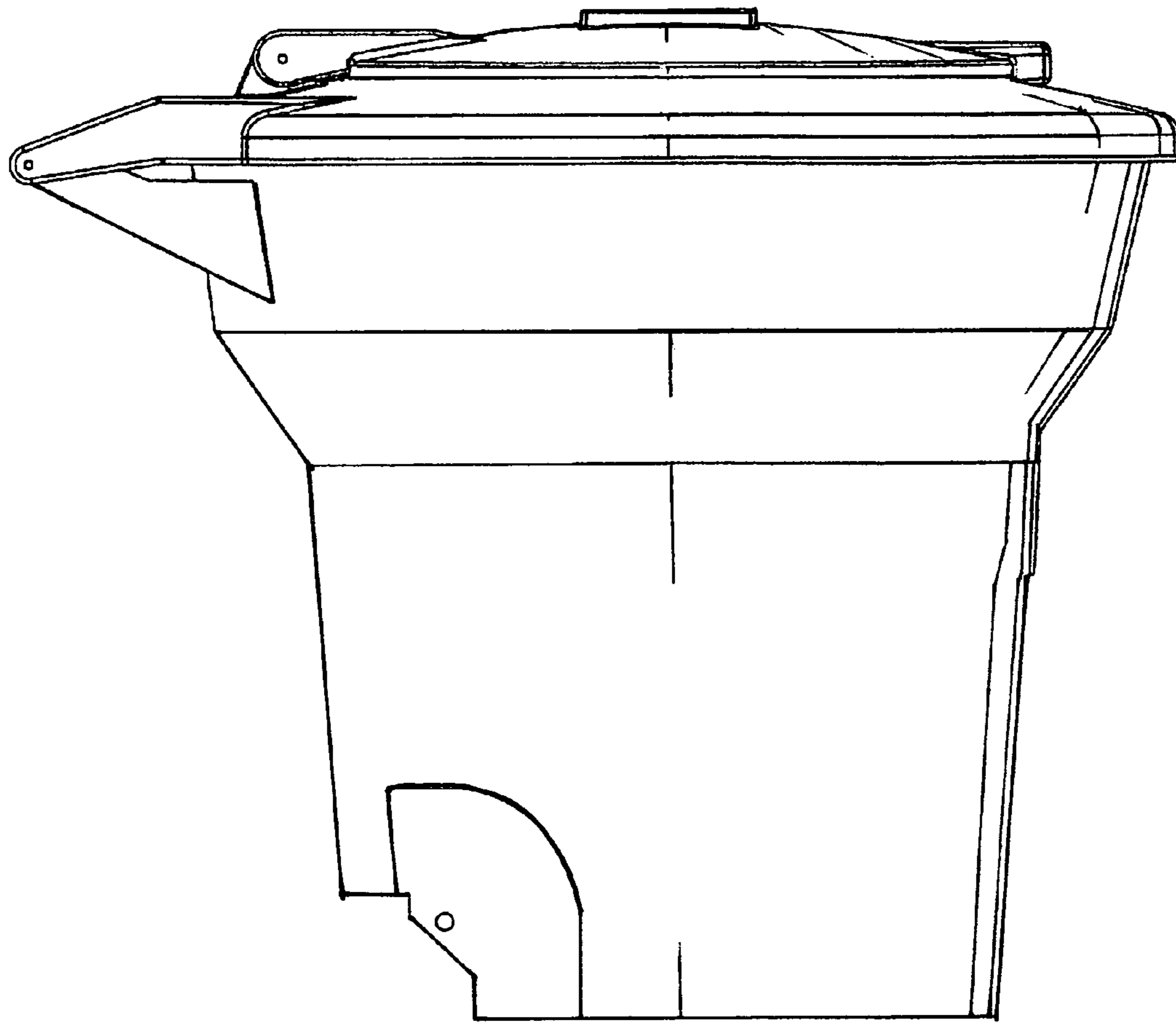


Figure 2

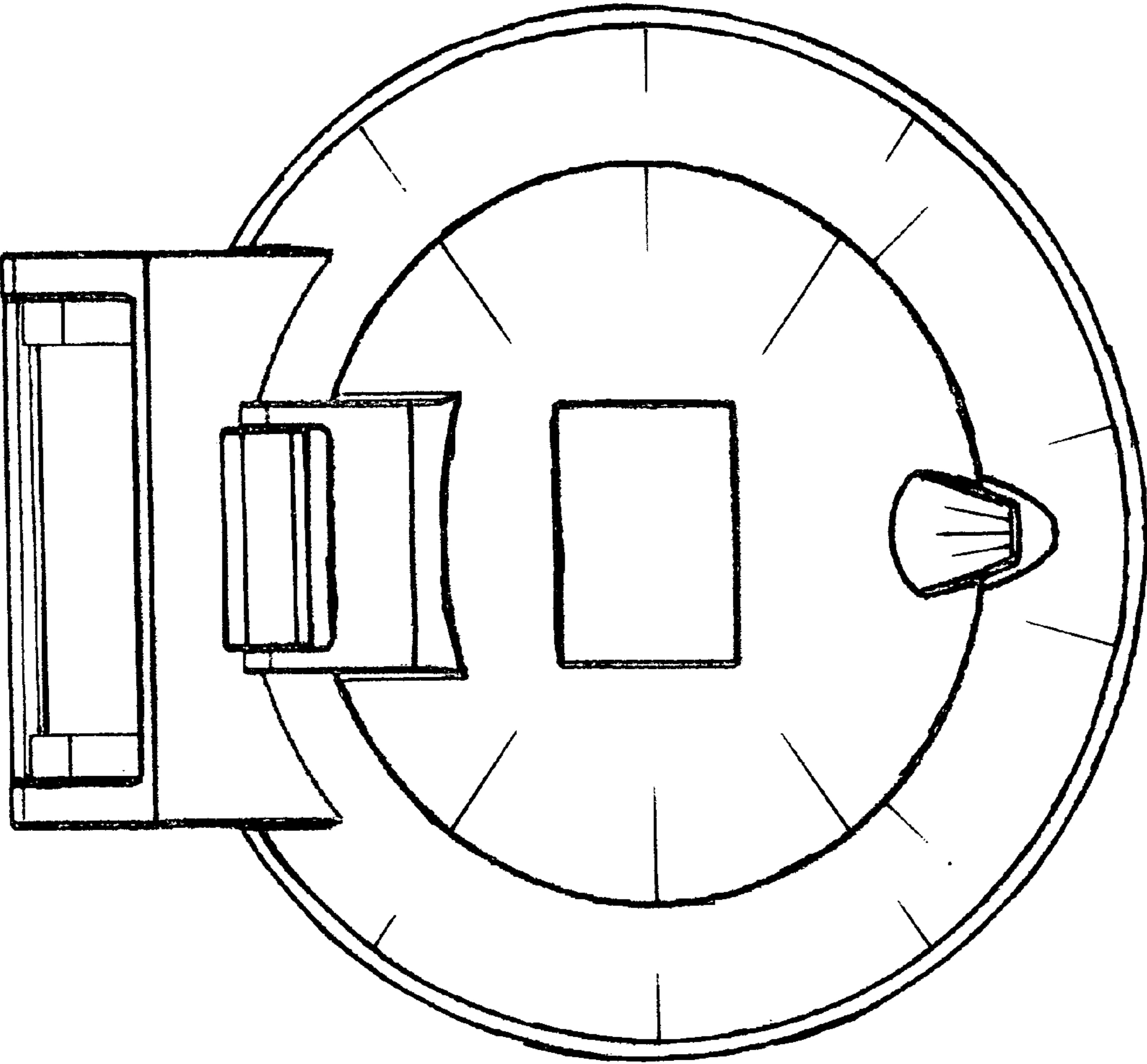


Figure 3

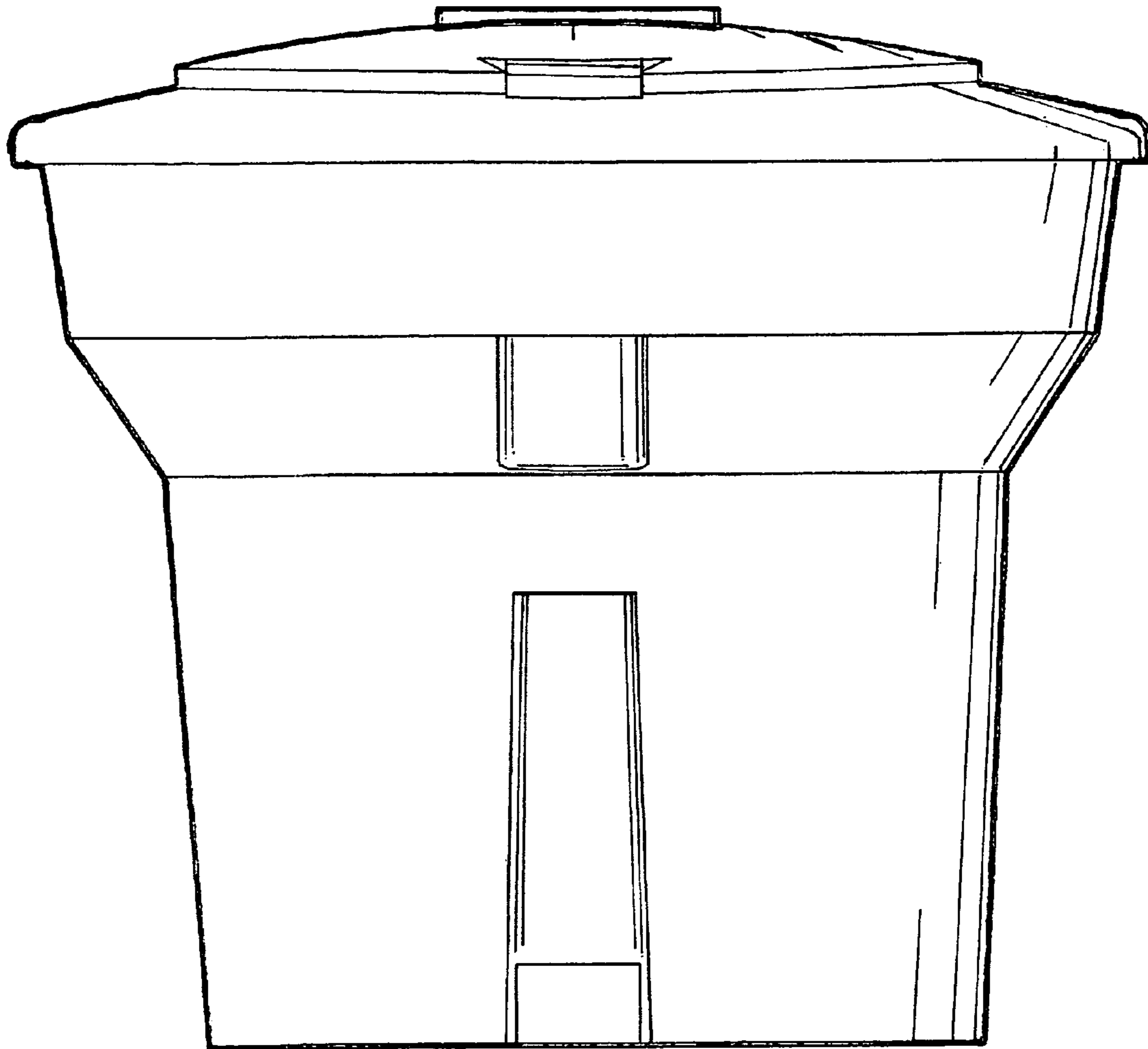


Figure 4

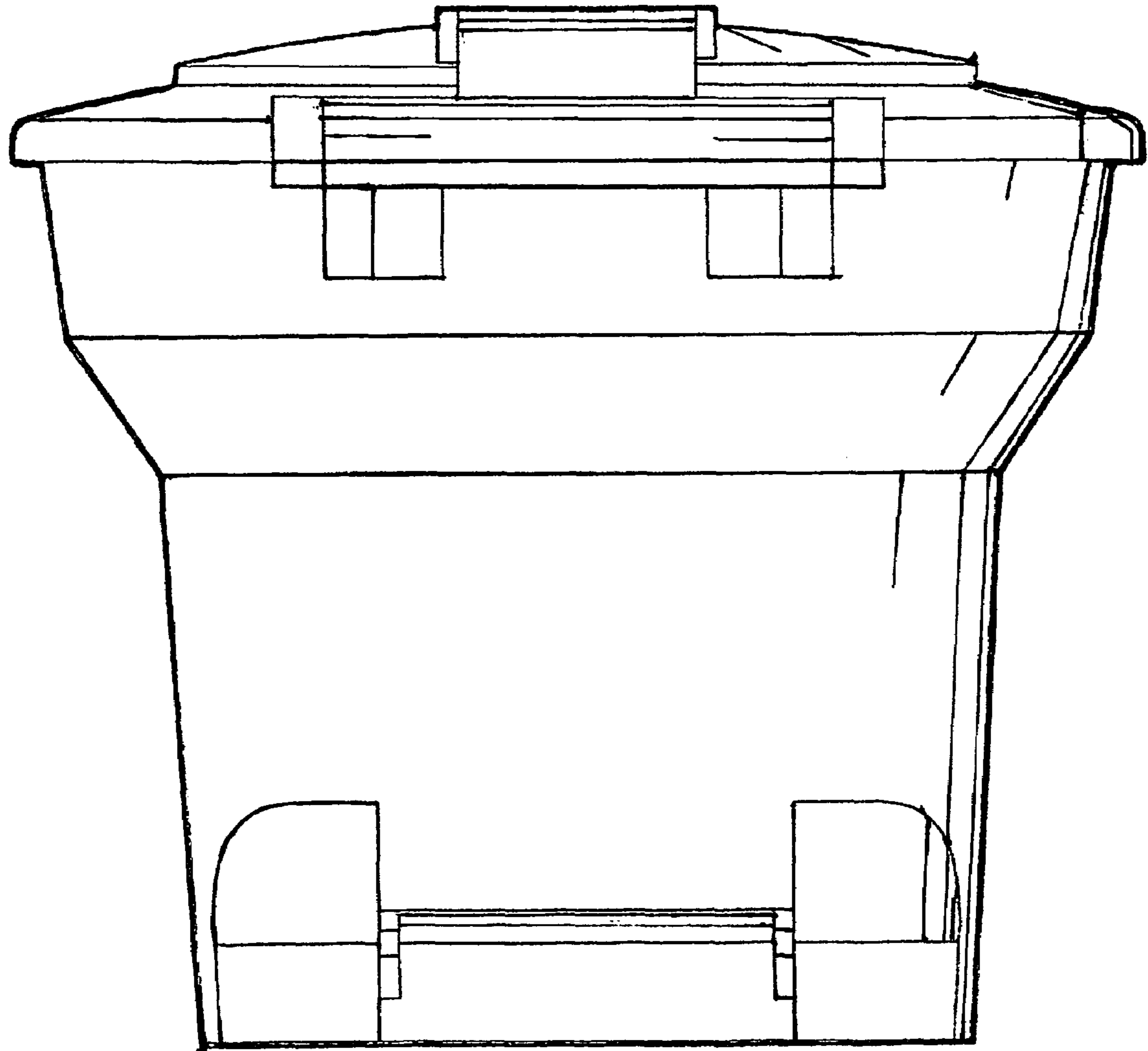


Figure 5