



US00D609870S

(12) **United States Design Patent**  
**Hilger et al.**

(10) **Patent No.:** **US D609,870 S**

(45) **Date of Patent:** **\*\* Feb. 9, 2010**

(54) **SURFACE CLEANER**

(75) Inventors: **Michael Joseph Hilger**, 2419  
Breezewood La., Green Bay, WI (US)  
54313; **Herbert John Peter Goetz**,  
Neenah, WI (US); **Mark S. Payne**,  
Neenah, WI (US)

(73) Assignee: **Michael Joseph Hilger**, Green Bay, WI  
(US)

(\*\*) Term: **14 Years**

(21) Appl. No.: **29/332,701**

(22) Filed: **Feb. 23, 2009**

(51) **LOC (9) Cl.** ..... **04-01**

(52) **U.S. Cl.** ..... **D32/40**

(58) **Field of Classification Search** ..... D32/35,  
D32/40-45; 15/104.93, 104.94, 220.1, 244.1-244.4,  
15/245, 208, 209.1; D28/8.1, 8.2

See application file for complete search history.

(56) **References Cited**

**U.S. PATENT DOCUMENTS**

1,344,890 A \* 6/1920 Henry ..... 15/220.1  
D437,095 S \* 1/2001 Osiecki et al. .... D32/40  
6,543,951 B1 \* 4/2003 Bauman ..... 401/8

D556,408 S \* 11/2007 Lang et al. .... D32/52  
D578,262 S \* 10/2008 Trotter et al. .... D32/52

\* cited by examiner

*Primary Examiner*—Robin V Webster

(57) **CLAIM**

The ornamental design for a surface cleaner, as shown and described.

**DESCRIPTION**

FIG. 1 is a top, side and front perspective view of a surface cleaner;

FIG. 2 is a top, side and front perspective view of a surface cleaner comprising a cleaner sheet;

FIG. 3 is a front elevation view of a surface cleaner;

FIG. 4 is a front elevation view of a surface cleaner comprising a cleaner sheet;

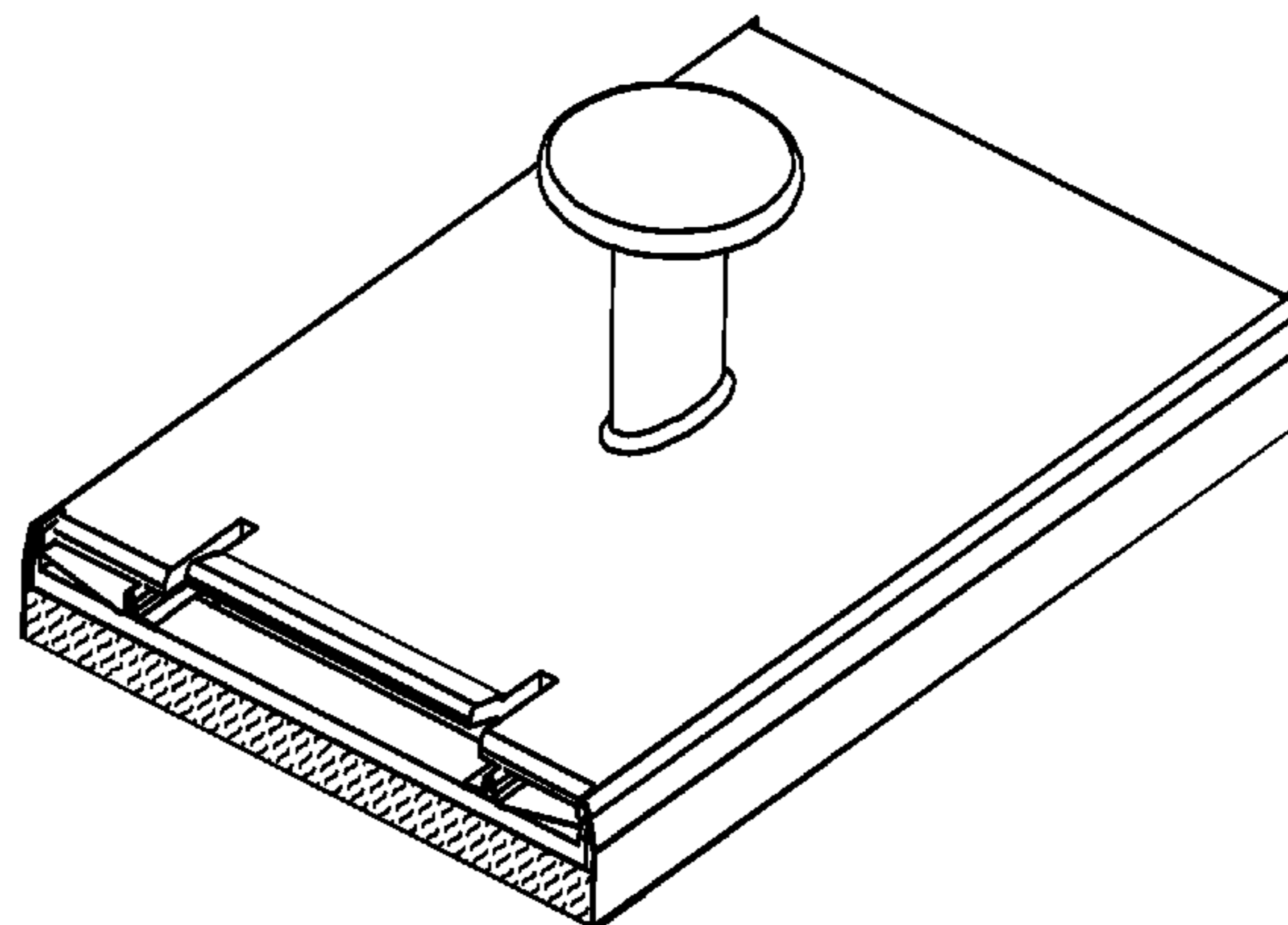
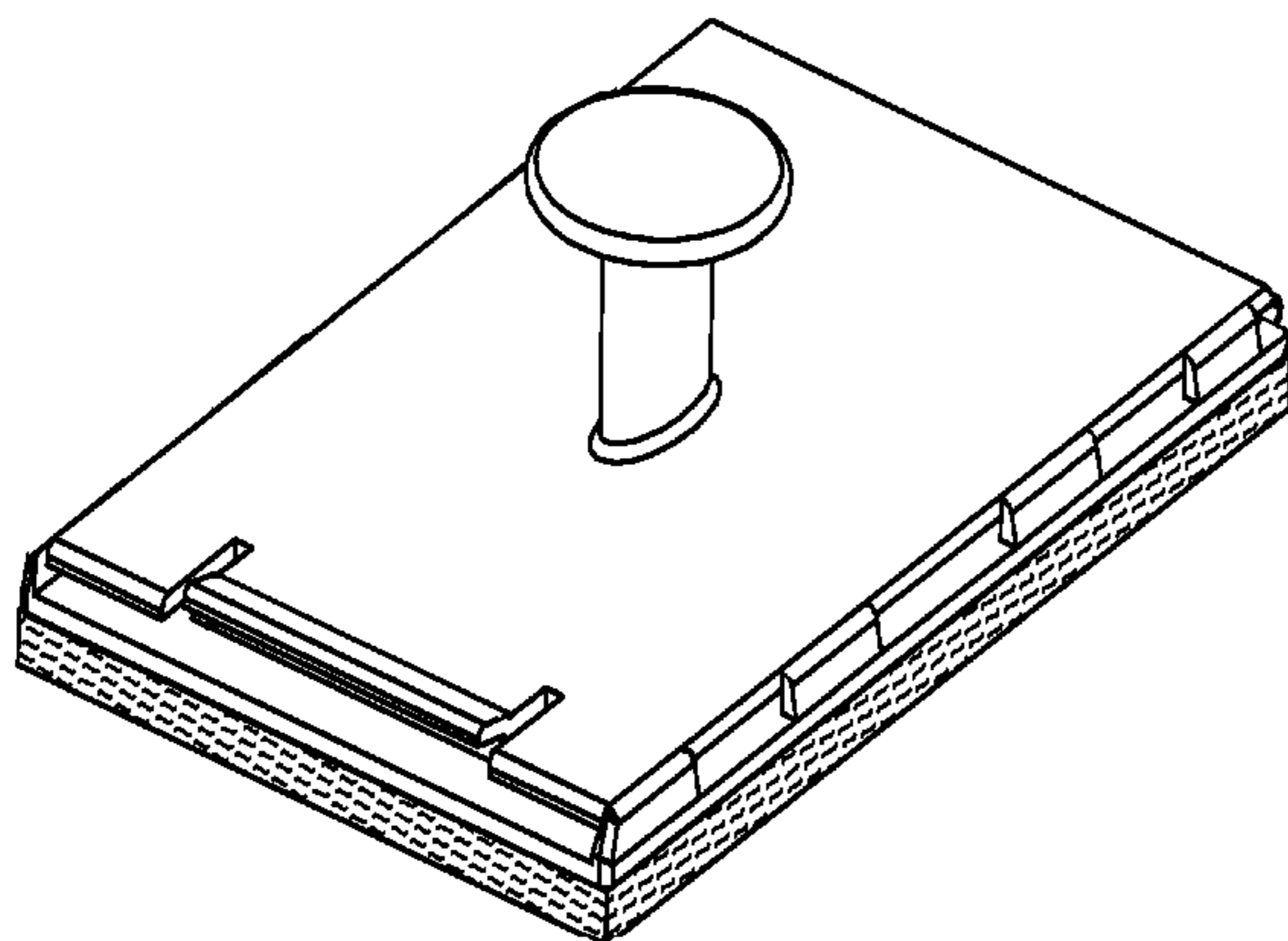
FIG. 5 is a side elevation view of a surface cleaner;

FIG. 6 is a side elevation view of a surface cleaner comprising a cleaner sheet;

FIG. 7 is a bottom, side and front perspective view of a surface cleaner; and,

FIG. 8 is a rear elevation view of a surface cleaner.

**1 Claim, 8 Drawing Sheets**



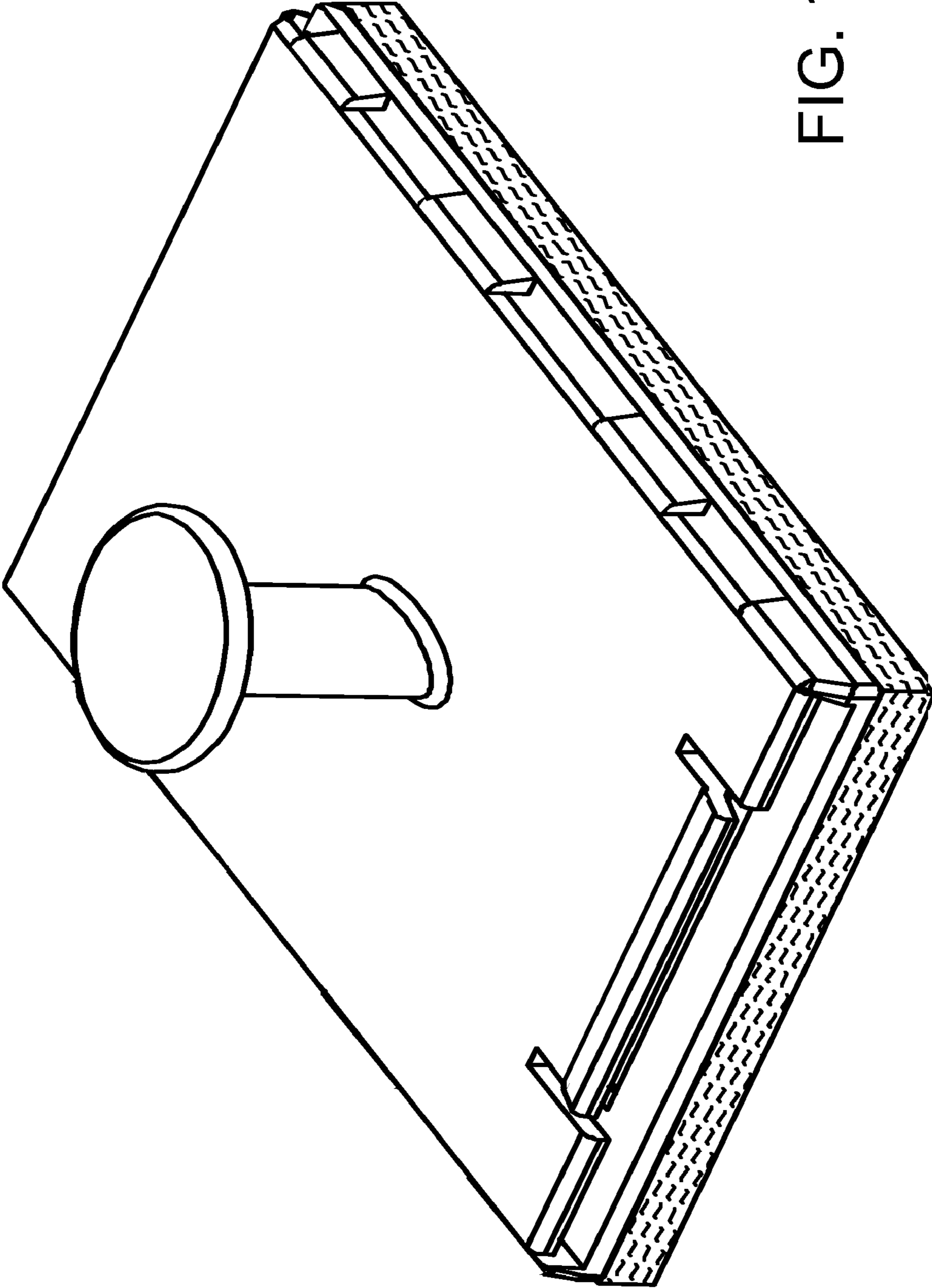


FIG. 1

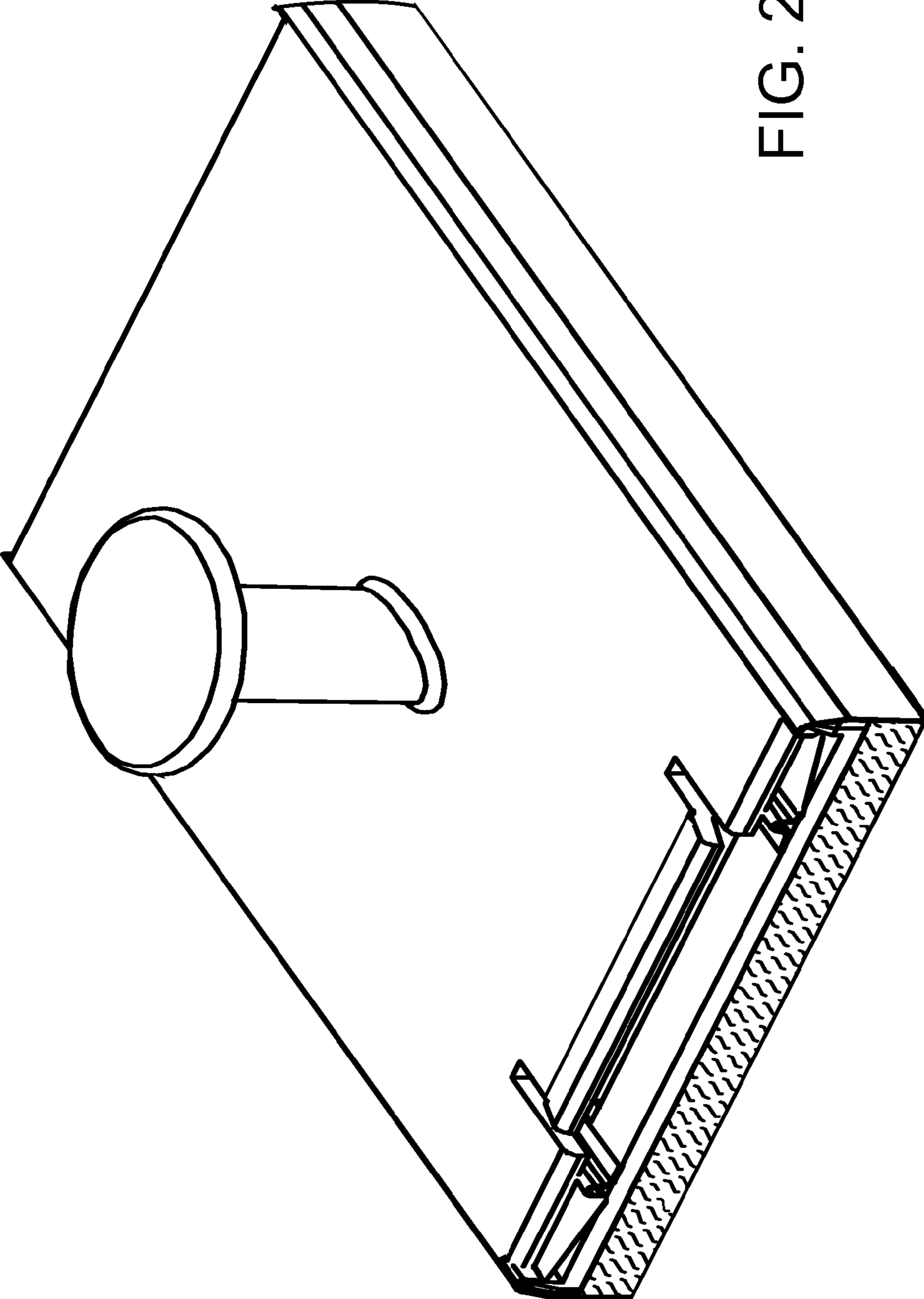


FIG. 2

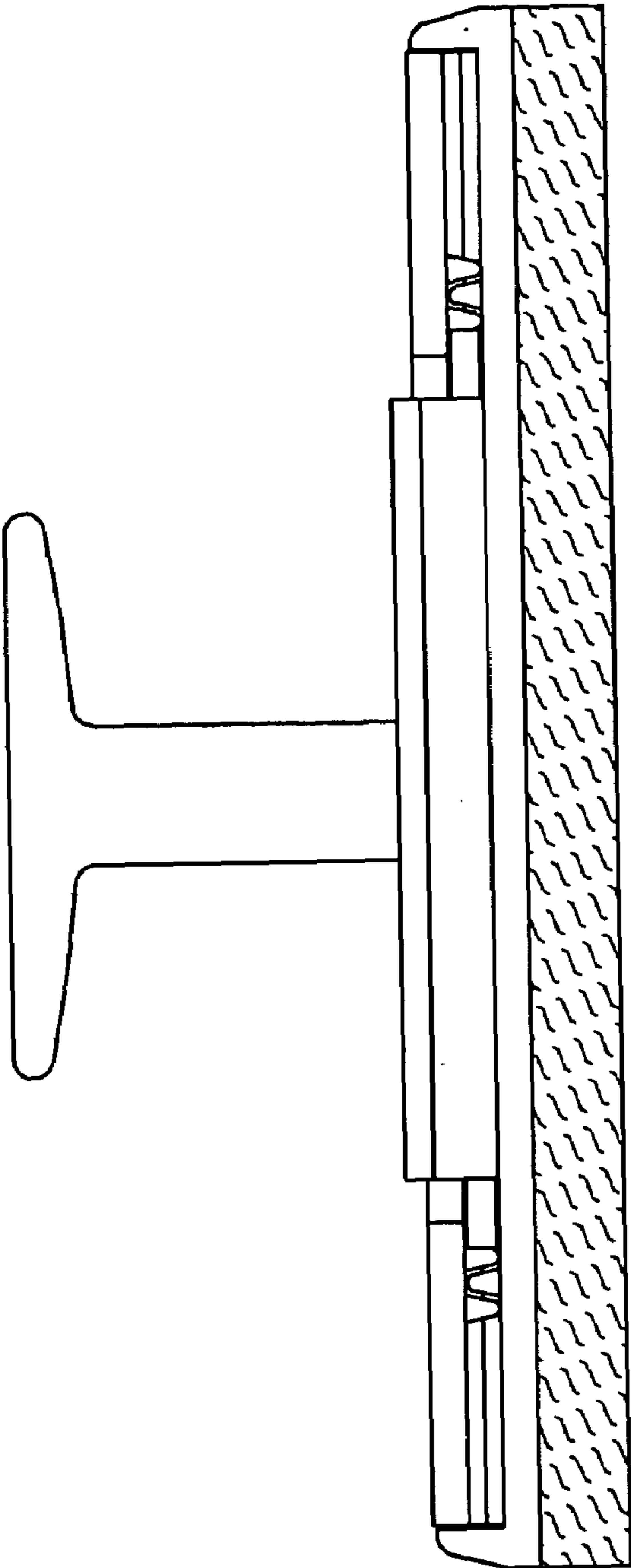
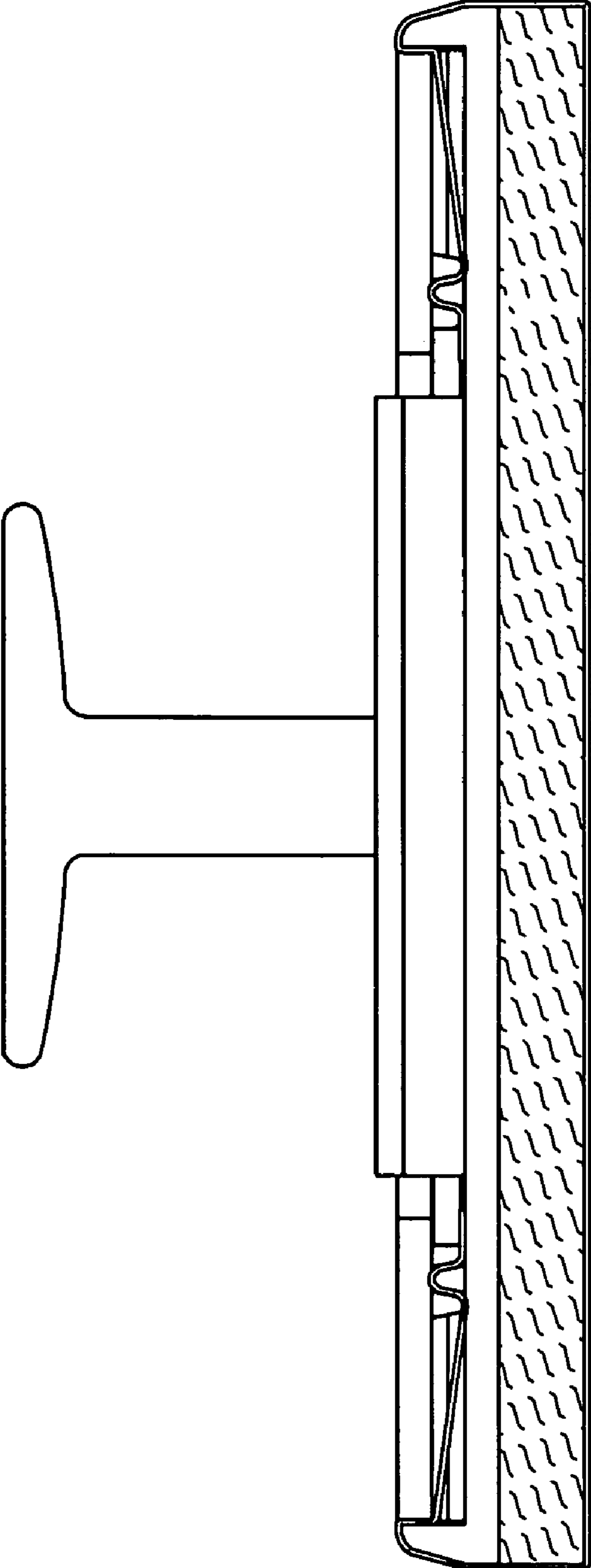


FIG. 3

FIG. 4



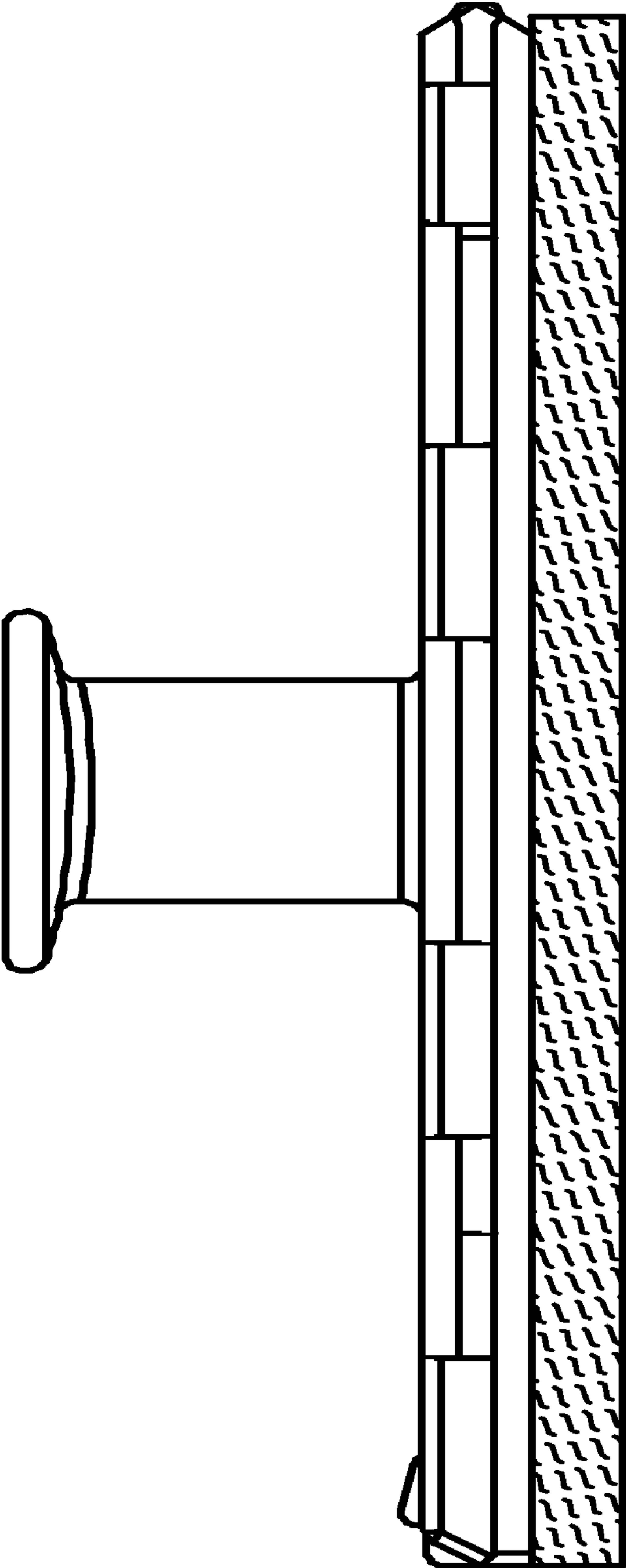


FIG. 5

FIG. 6

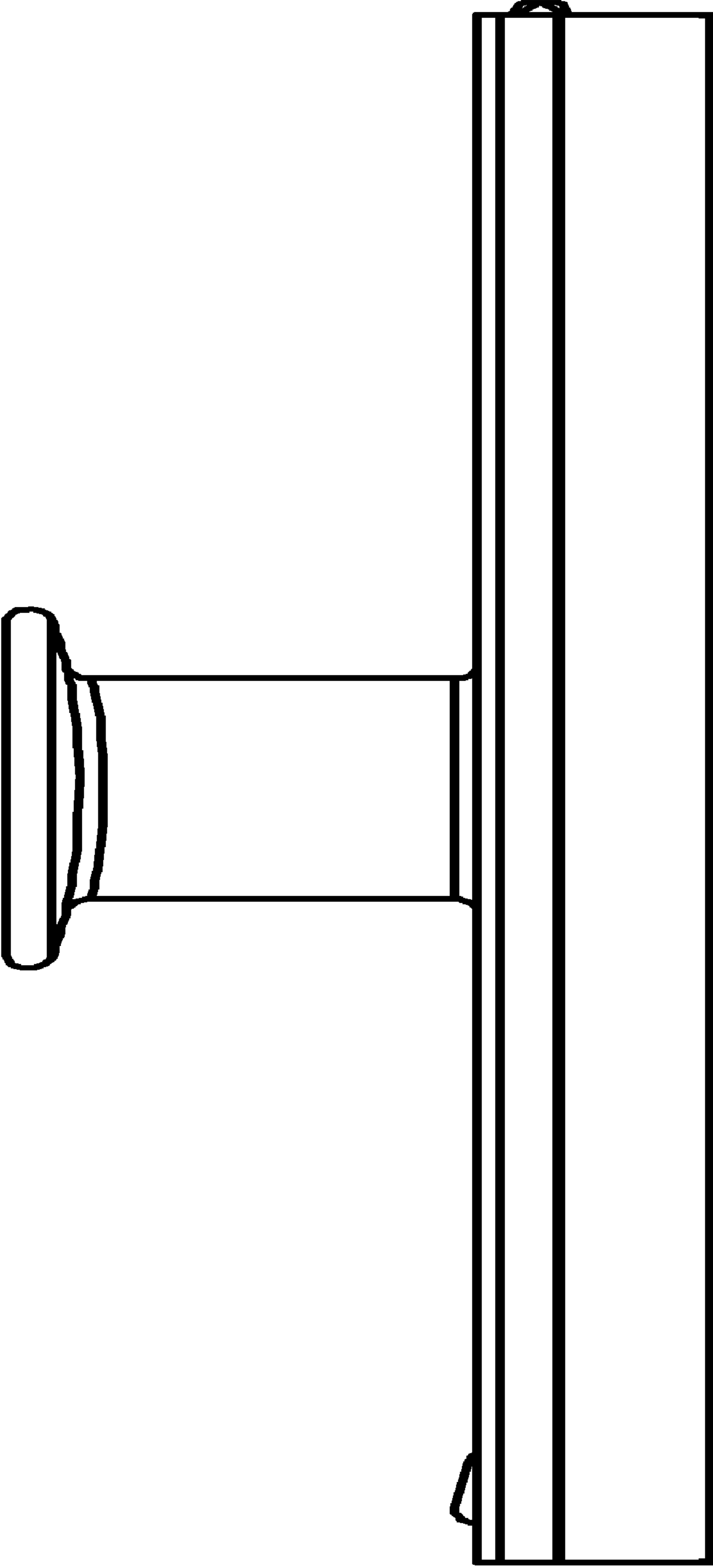
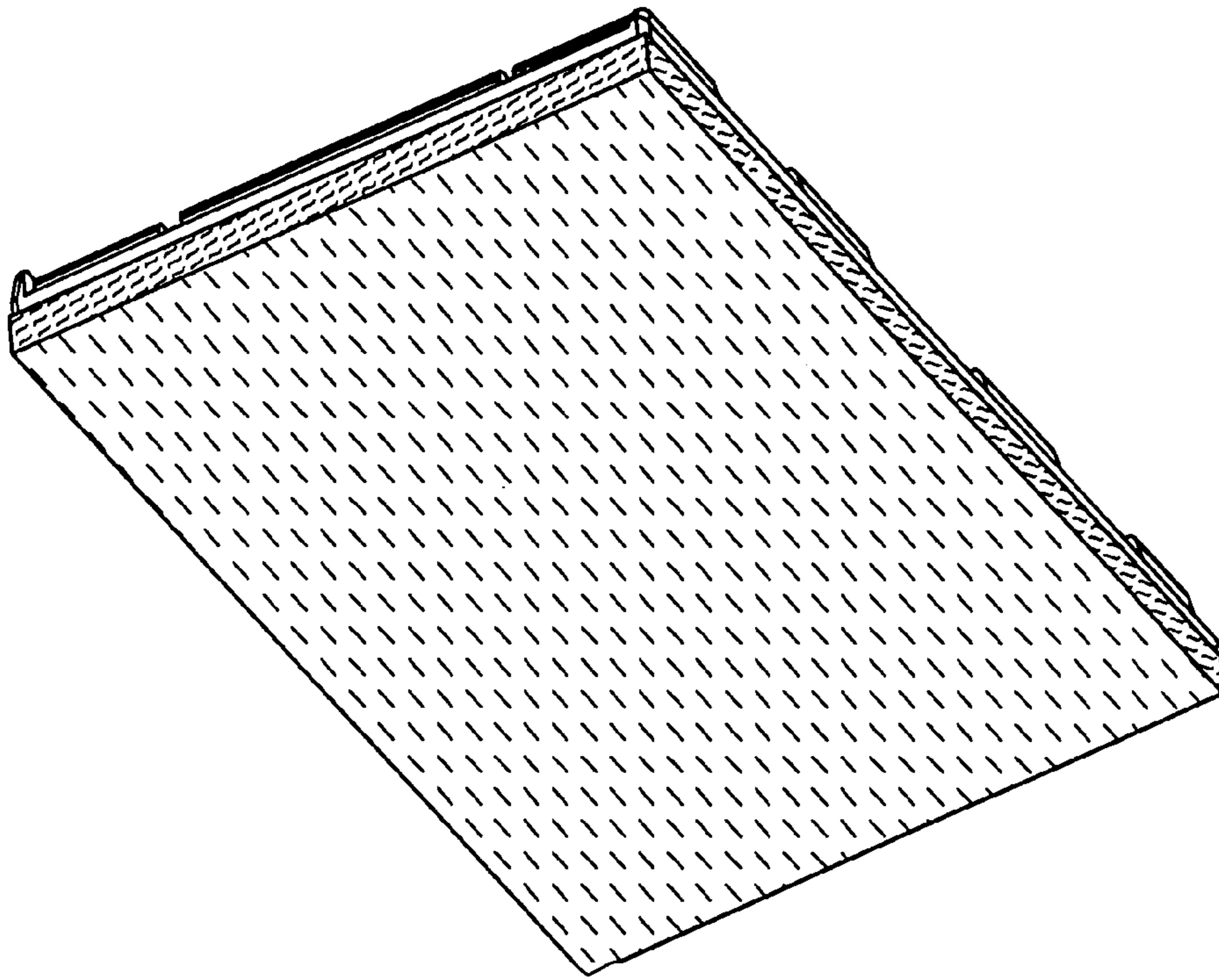


FIG. 7





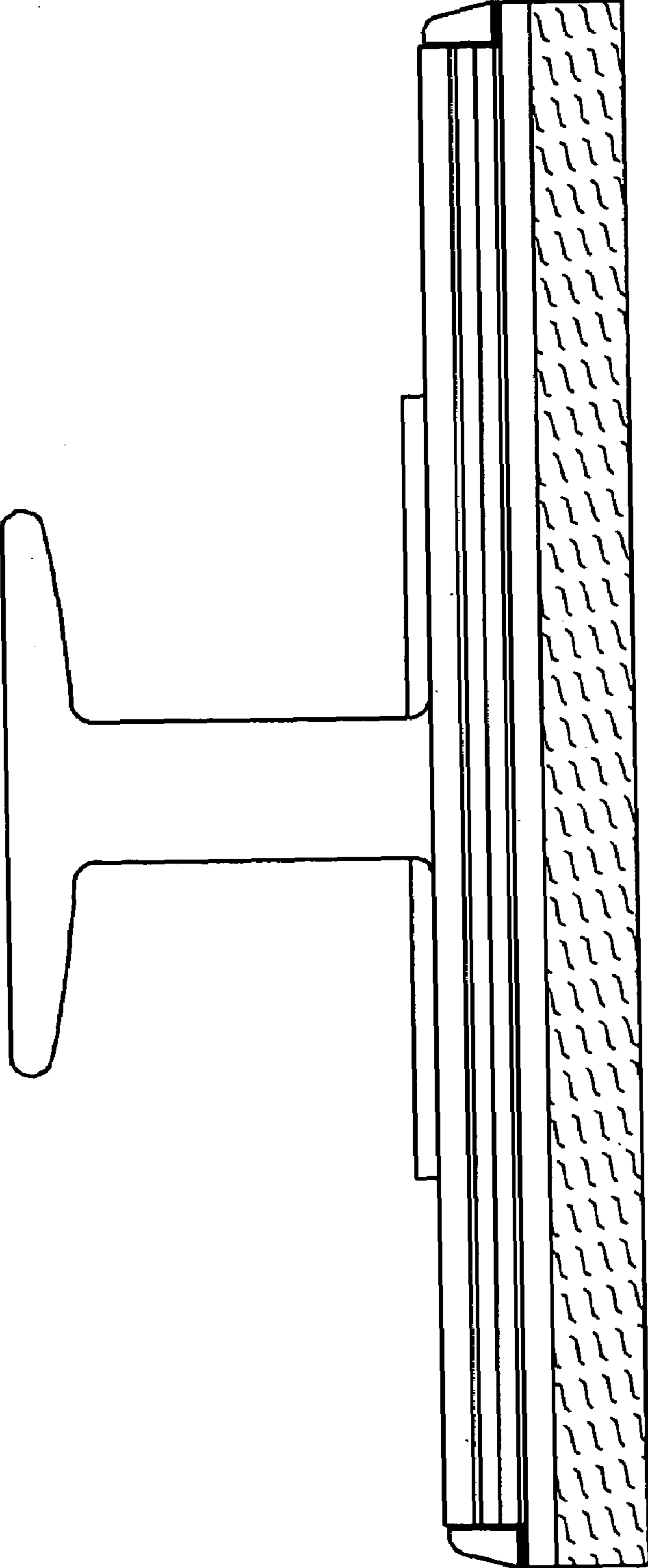


FIG. 8