



US00D609866S

(12) **United States Design Patent**  
**Santiago et al.**

(10) **Patent No.:** **US D609,866 S**  
(45) **Date of Patent:** **\*\* Feb. 9, 2010**

(54) **VACUUM CLEANER UPRIGHT PORTION**

(75) Inventors: **Jose Carlito Santiago**, Grand Rapids, MI (US); **Douglas J. Medema**, Belding, MI (US)

(73) Assignee: **BISSELL Homecare, Inc.**, Grand Rapids, MI (US)

(\*\*) Term: **14 Years**

(21) Appl. No.: **29/334,081**

(22) Filed: **Mar. 20, 2009**

(51) **LOC (9) Cl.** ..... **15-05**

(52) **U.S. Cl.** ..... **D32/31**

(58) **Field of Classification Search** ..... D32/22,  
D32/30-31, 34; 15/320-321, 329, 350-354,  
15/362, 410, 411, 347; 55/366, 429, 315,  
55/356, 372, 337, DIG. 3, 345; 95/271  
See application file for complete search history.

(56) **References Cited**

**U.S. PATENT DOCUMENTS**

- D462,489 S \* 9/2002 Roberts et al. .... D32/31
- D469,226 S \* 1/2003 Stephens ..... D32/31
- D493,587 S \* 7/2004 Downey et al. .... D32/31
- D532,944 S \* 11/2006 Choi ..... D32/22

- D553,313 S \* 10/2007 Parr et al. .... D32/22
- 2005/0223520 A1 \* 10/2005 Greene et al. .... 15/353
- 2007/0209147 A1 \* 9/2007 Krebs et al. .... 15/347

\* cited by examiner

*Primary Examiner*—Ruth McInroy

(74) *Attorney, Agent, or Firm*—McGarry Bair PC

(57) **CLAIM**

The ornamental design for a vacuum cleaner upright portion, as shown and described.

**DESCRIPTION**

FIG. 1 is a front right side view perspective view of a vacuum cleaner upright portion which embodies our design;

FIG. 2 is a rear right side perspective view thereof;

FIG. 3 is a front view thereof;

FIG. 4 is a rear view thereof;

FIG. 5 is a left side view thereof;

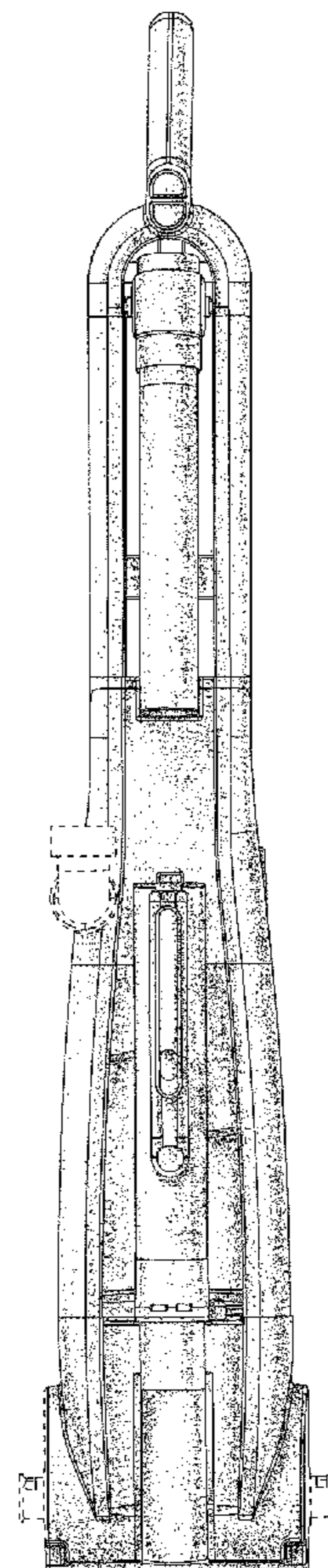
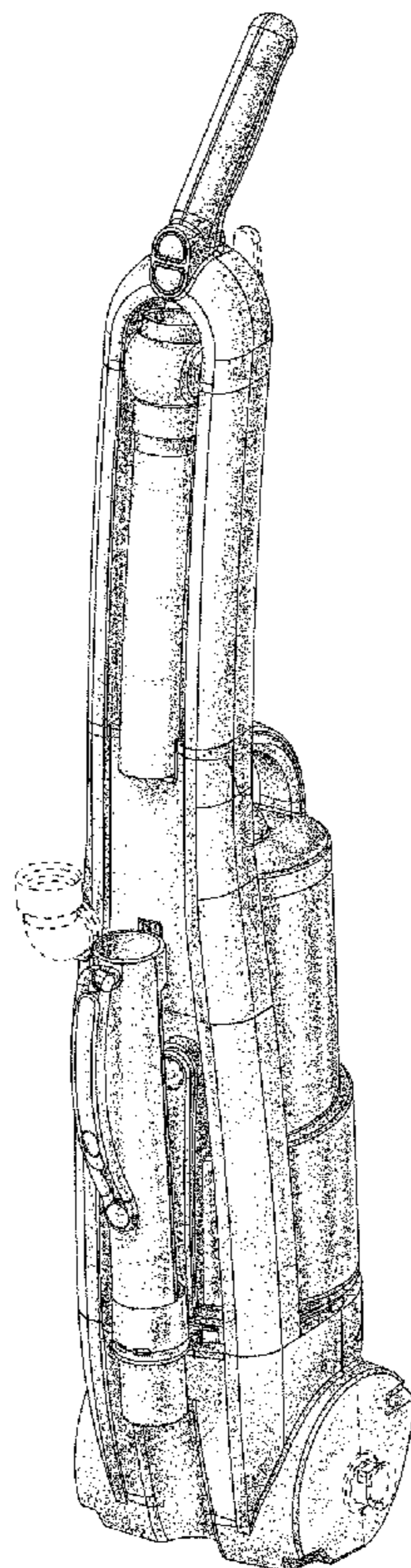
FIG. 6 is a right side view thereof; and

FIG. 7 is a top view thereof; and,

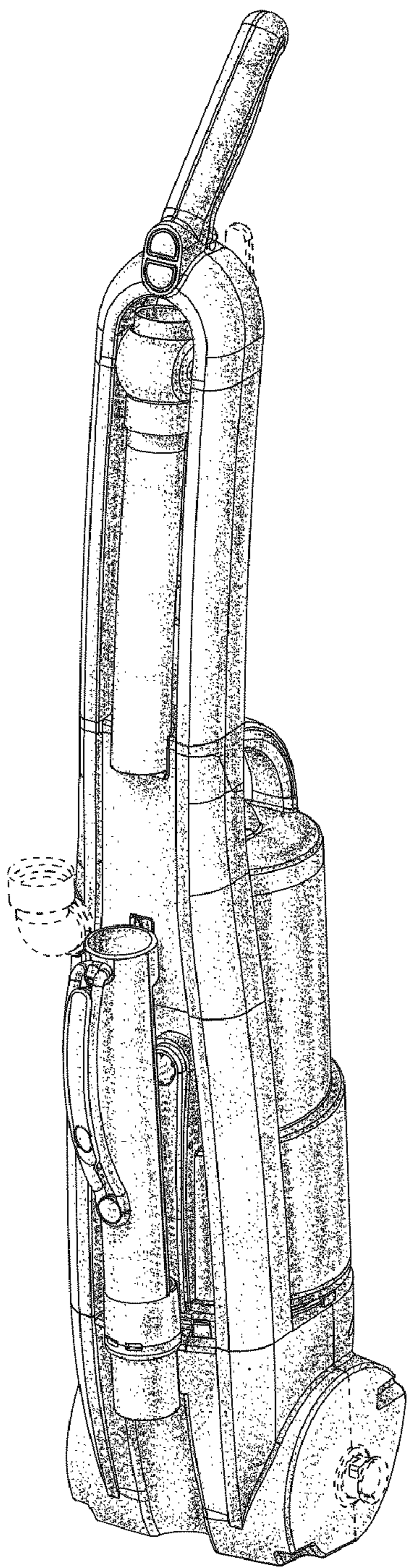
FIG. 8 is a bottom view thereof.

The material in dotted lines forms no part of our design.

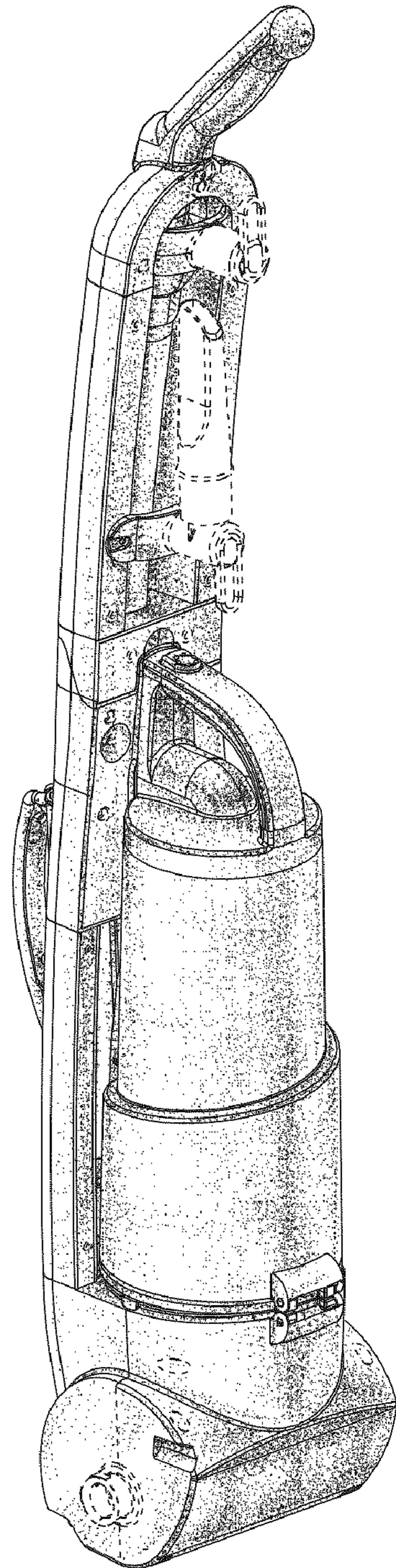
**1 Claim, 4 Drawing Sheets**







**Fig. 1**



**Fig. 2**



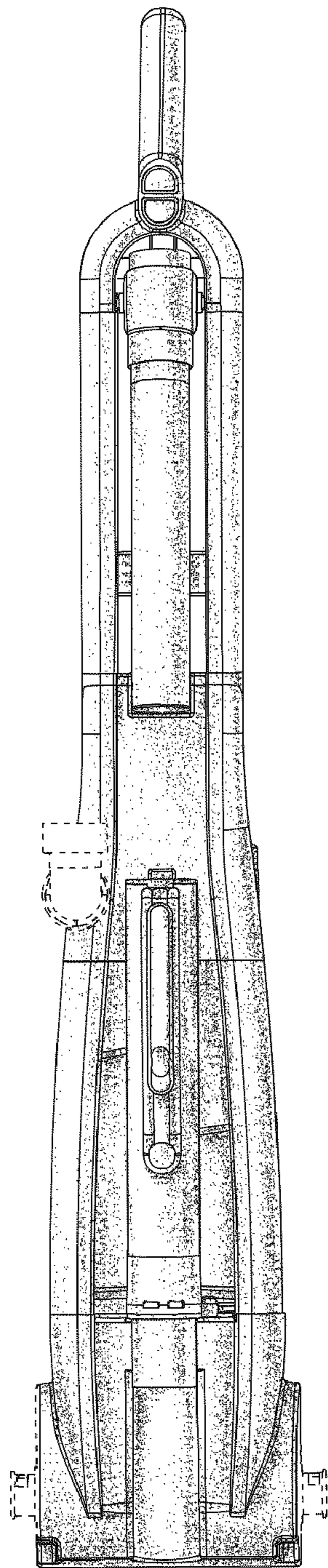


Fig. 3

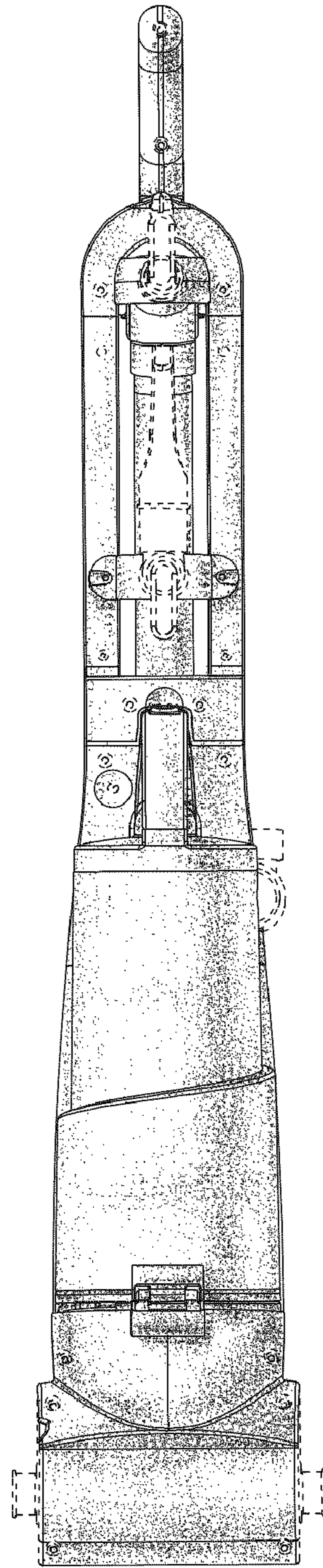


Fig. 4

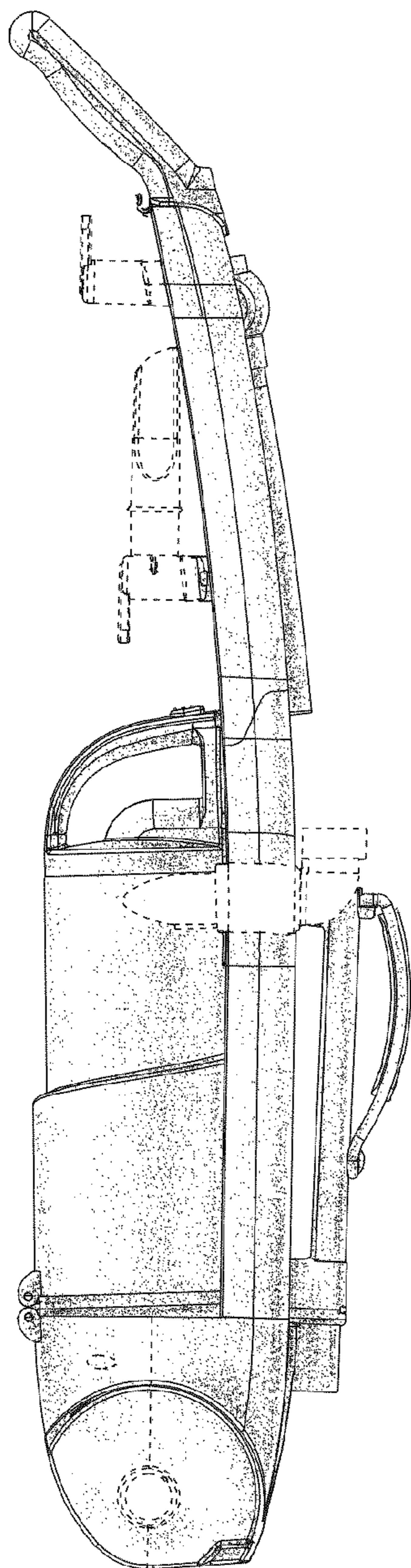


Fig. 5

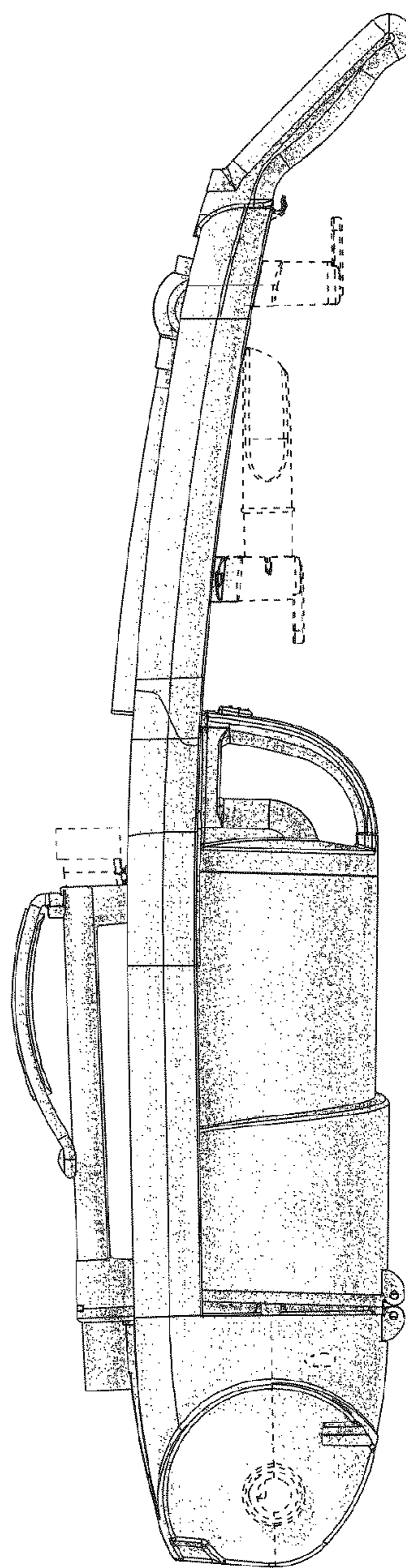
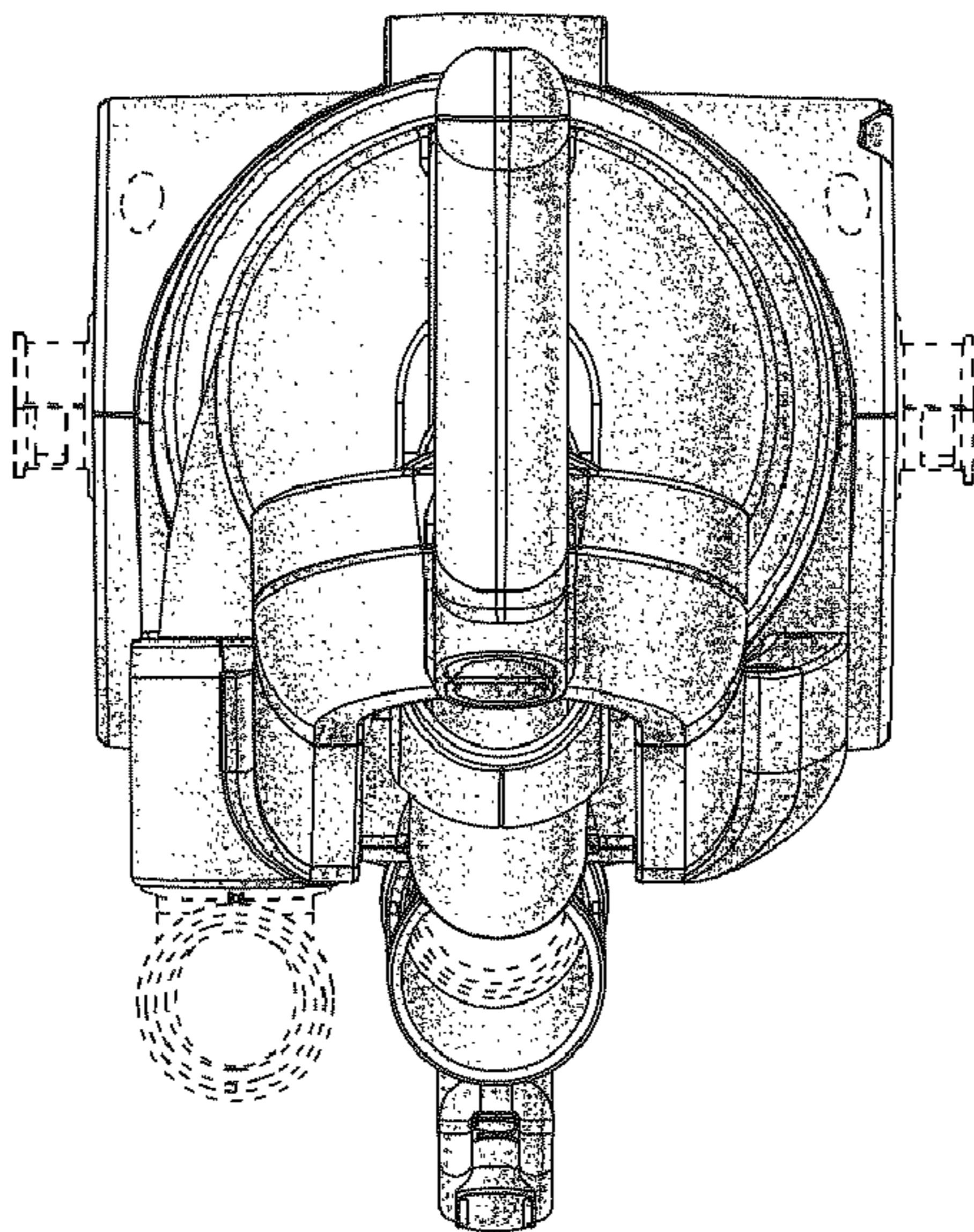
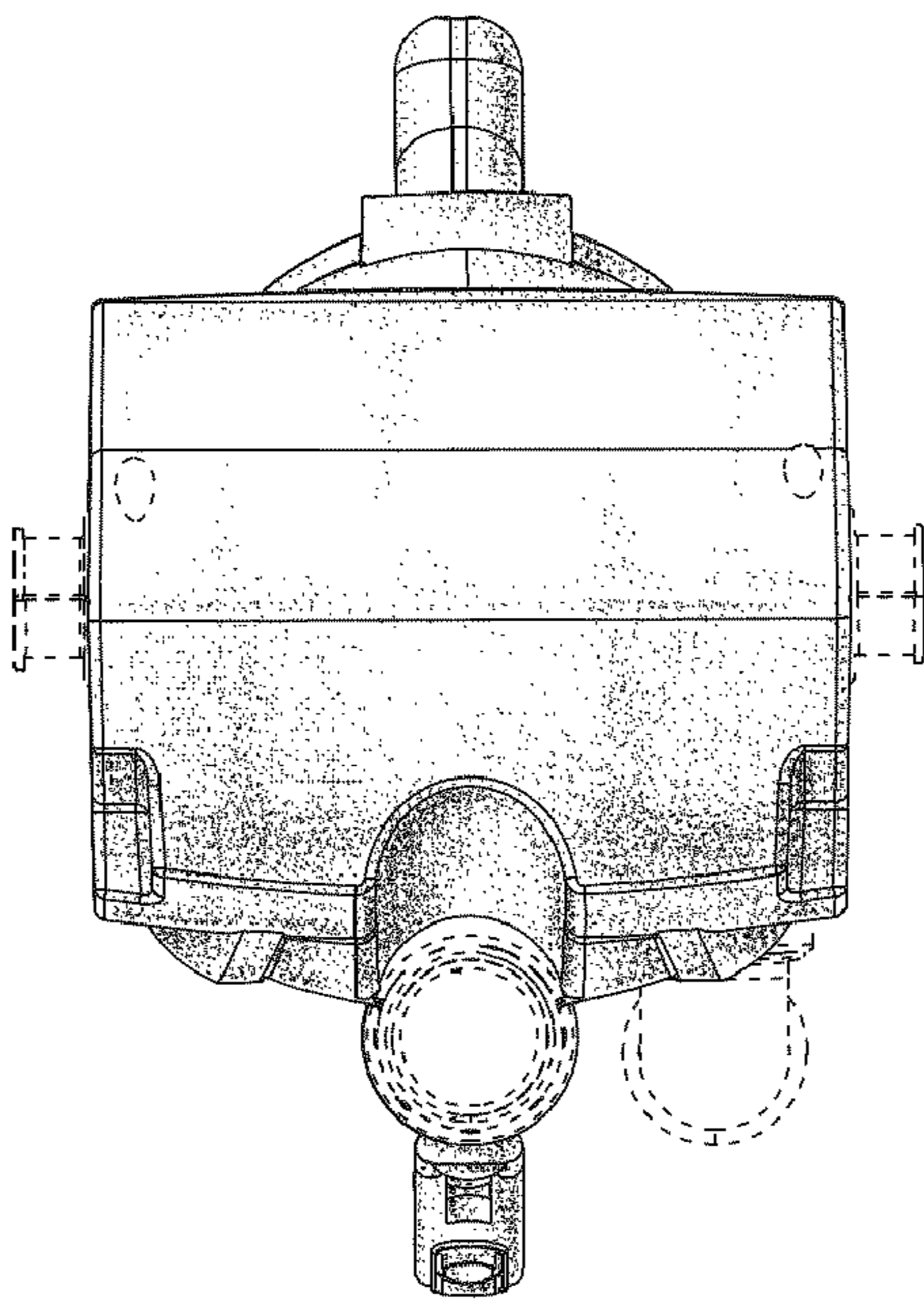


Fig. 6





**Fig. 7**



**Fig. 8**