



US00D609864S

(12) **United States Design Patent**  
**Tsai**

(10) **Patent No.:** **US D609,864 S**  
(45) **Date of Patent:** **\*\* Feb. 9, 2010**

(54) **BIRD FEEDING APPARATUS**

(75) Inventor: **Mao Bang Tsai**, Jidali Industrial Zone,  
Gonghe Village, Shajing Town, Baoan  
Distric, Shenzhen, Guangdong (CN)  
518000

(73) Assignees: **Guang'an Zeng**, Shenzhen (CN); **Mao  
Bang Tsai**, Shenzhen (CN)

(\*\*) Term: **14 Years**

(21) Appl. No.: **29/335,790**

(22) Filed: **Apr. 22, 2009**

(30) **Foreign Application Priority Data**

Jan. 19, 2009 (CN) ..... 2009 3 0163207

(51) **LOC (9) Cl.** ..... **30-03**

(52) **U.S. Cl.** ..... **D30/127**

(58) **Field of Classification Search** ..... D30/121,  
D30/124, 126-129, 133, 199, 110-112, 123,  
D30/125; 119/52.2, 51.5, 61.5, 57.8, 57.9,  
119/52.3, 61.1, 531, 63, 428-435, 52.4, 55,  
119/61.3, 69.5, 57, 76; 47/67, 83; 248/318;  
D11/164, 152; 211/128.1; D27/123; D6/495,  
D6/460, 461, 476, 405

See application file for complete search history.

(56) **References Cited**

U.S. PATENT DOCUMENTS

727,107 A \* 5/1903 Donaldson ..... 211/131.1  
D53,390 S \* 5/1919 Wolski et al. .... D6/460  
1,791,956 A \* 2/1931 Cowles ..... 119/431  
1,955,919 A \* 4/1934 Kress ..... 108/101  
2,289,212 A \* 7/1942 Rinnela ..... 211/131.1  
2,298,398 A \* 10/1942 Marshaus ..... 119/51.5  
D155,949 S \* 11/1949 Wiley et al. .... D7/501  
D170,150 S \* 8/1953 Cowap ..... D30/128  
D173,658 S \* 12/1954 Jones ..... D30/128  
D174,139 S \* 3/1955 Sadler ..... D30/128  
2,720,056 A \* 10/1955 Levy ..... 47/41.01  
2,826,171 A \* 3/1958 Piel ..... 119/52.1

2,891,508 A \* 6/1959 Bower ..... 119/52.3  
3,090,354 A \* 5/1963 Merritt et al. .... 119/52.4  
D200,317 S \* 2/1965 Etnyre ..... D30/128  
3,734,061 A \* 5/1973 Kraus ..... 119/52.2  
D234,475 S \* 3/1975 Markus ..... D6/450  
4,006,559 A \* 2/1977 Carlyon, Jr. .... 47/39  
D277,703 S \* 2/1985 Kilham ..... D30/128

(Continued)

OTHER PUBLICATIONS

Duncraft catalogue, Spring 2007, "Gazebo Platform Feeder" in  
bronze, p. 5 (1 page).\*

(Continued)

*Primary Examiner*—Susan Moon Lee

(57) **CLAIM**

The ornamental design for a bird feeding apparatus, as shown  
and described.

**DESCRIPTION**

FIG. 1 is a front perspective view of the bird feeding appara-  
tus;

FIG. 2 is a front elevational view of the bird feeding appara-  
tus;

FIG. 3 is a rear elevational view of the bird feeding apparatus;

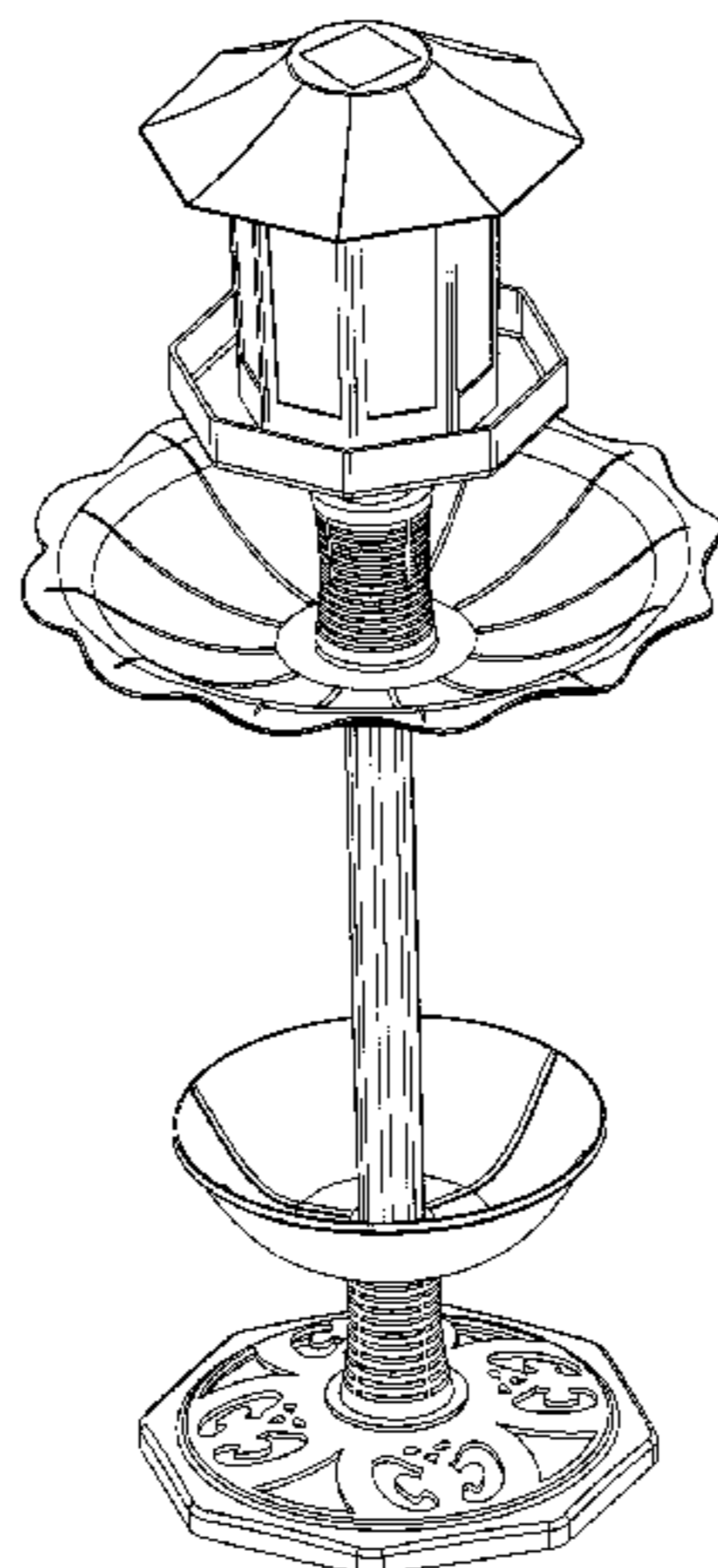
FIG. 4 is a left side elevational view of the bird feeding  
apparatus;

FIG. 5 is a right side elevational view of the bird feeding  
apparatus;

FIG. 6 is a top view of the bird feeding apparatus; and,

FIG. 7 is a bottom view of the bird feeding apparatus.

**1 Claim, 6 Drawing Sheets**



# US D609,864 S

Page 2

## U.S. PATENT DOCUMENTS

|           |      |         |                        |           |              |      |         |                     |           |
|-----------|------|---------|------------------------|-----------|--------------|------|---------|---------------------|-----------|
| 4,534,471 | A *  | 8/1985  | Zahn et al. ....       | 211/39    | D444,676     | S *  | 7/2001  | Murphy .....        | D7/553.6  |
| D281,406  | S *  | 11/1985 | Guenat .....           | D11/153   | 6,253,706    | B1 * | 7/2001  | Sloop .....         | 119/57.9  |
| D289,210  | S *  | 4/1987  | Tucker et al. ....     | D30/125   | D453,263     | S *  | 2/2002  | Wogan .....         | D3/10     |
| D289,211  | S *  | 4/1987  | Riha .....             | D30/125   | D453,883     | S *  | 2/2002  | Conde .....         | D6/455    |
| D297,191  | S *  | 8/1988  | Frieden, Jr. ....      | D6/461    | D471,327     | S *  | 3/2003  | Kuelbs .....        | D30/125   |
| D307,988  | S *  | 5/1990  | Newfield .....         | D6/450    | D478,246     | S *  | 8/2003  | Villano et al. .... | D7/359    |
| 4,986,219 | A *  | 1/1991  | Harris .....           | 119/57.8  | D485,930     | S *  | 1/2004  | Chen .....          | D26/67    |
| D314,294  | S *  | 2/1991  | Axhamre .....          | D6/458    | D490,576     | S *  | 5/2004  | Rich et al. ....    | D30/128   |
| D351,507  | S *  | 10/1994 | Gregory .....          | D7/335    | 6,805,366    | B1 * | 10/2004 | Seara .....         | 280/47.26 |
| D360,495  | S *  | 7/1995  | Sanderson .....        | D30/123   | D504,746     | S *  | 5/2005  | Lee .....           | D30/124   |
| 5,487,600 | A *  | 1/1996  | Griffin .....          | 312/135   | 7,017,517    | B2 * | 3/2006  | Paquette .....      | 119/51.01 |
| D370,313  | S *  | 5/1996  | Nottingham et al. .... | D30/125   | 7,409,922    | B1 * | 8/2008  | Baynard et al. .... | 119/52.3  |
| D386,836  | S *  | 11/1997 | Hunt .....             | D30/124   | D582,102     | S *  | 12/2008 | Roes .....          | D30/132   |
| 5,711,247 | A *  | 1/1998  | Henshaw .....          | 119/57.8  | 7,530,330    | B1 * | 5/2009  | Valle .....         | 119/69.5  |
| 5,715,954 | A *  | 2/1998  | Zaremba .....          | 211/107   | 2005/0005862 | A1 * | 1/2005  | Paquette .....      | 119/51.01 |
| 5,772,050 | A *  | 6/1998  | Shih .....             | 211/39    | 2005/0257749 | A1 * | 11/2005 | Kuelbs .....        | 119/57.8  |
| 5,819,766 | A *  | 10/1998 | Craigen .....          | 132/314   | 2008/0127902 | A1 * | 6/2008  | Bent et al. ....    | 119/52.3  |
| D402,429  | S *  | 12/1998 | Schecter .....         | D30/123   | 2008/0302304 | A1 * | 12/2008 | Mayfield .....      | 119/51.01 |
| 5,937,787 | A *  | 8/1999  | Kopis .....            | 119/57.8  |              |      |         |                     |           |
| D421,549  | S *  | 3/2000  | Hints .....            | D7/555    |              |      |         |                     |           |
| D428,537  | S *  | 7/2000  | Miller .....           | D30/124   |              |      |         |                     |           |
| 6,167,840 | B1 * | 1/2001  | White et al. ....      | 119/61.53 |              |      |         |                     |           |

## OTHER PUBLICATIONS

Google Images internet, Feb. 2008, "Illuminated Bird Feeder" (1 page).\*

\* cited by examiner

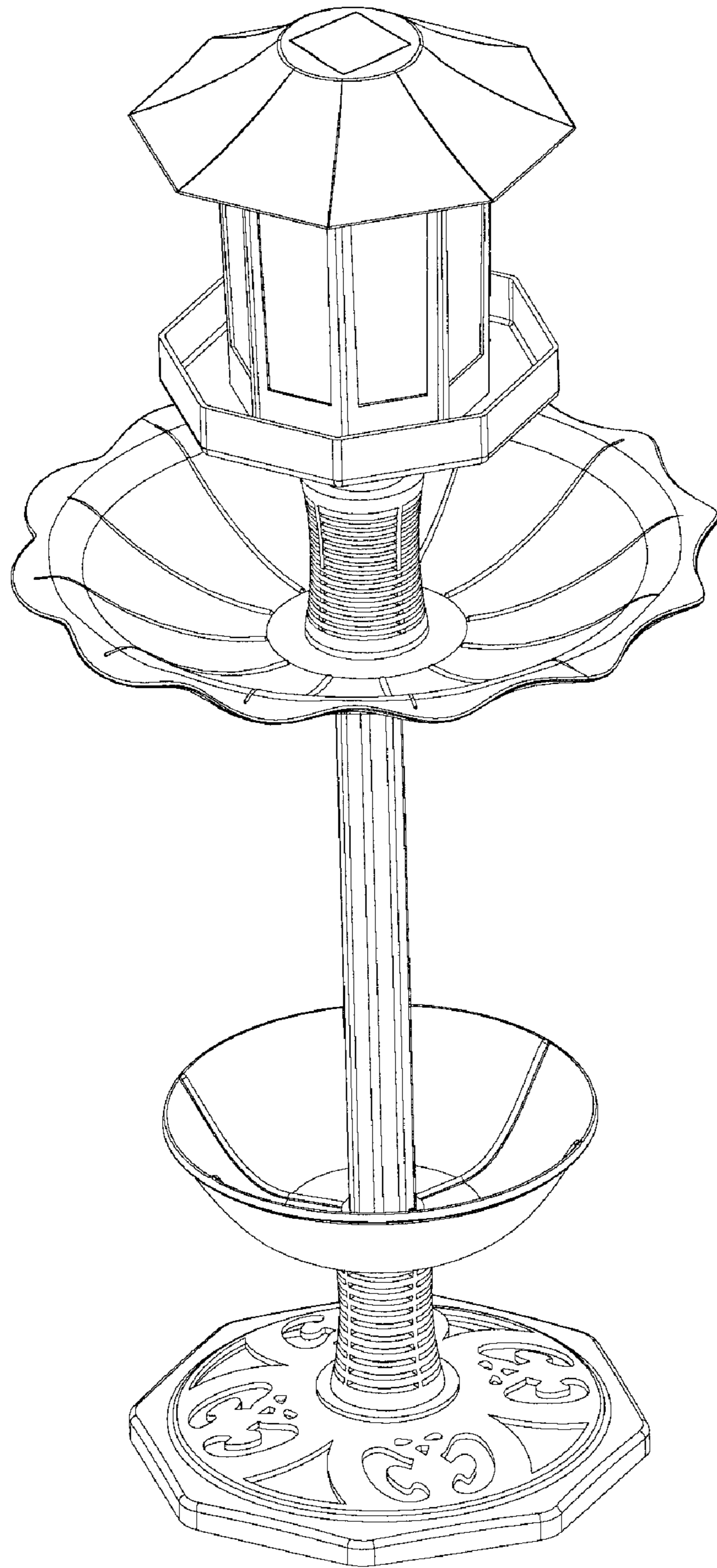


Fig. 1

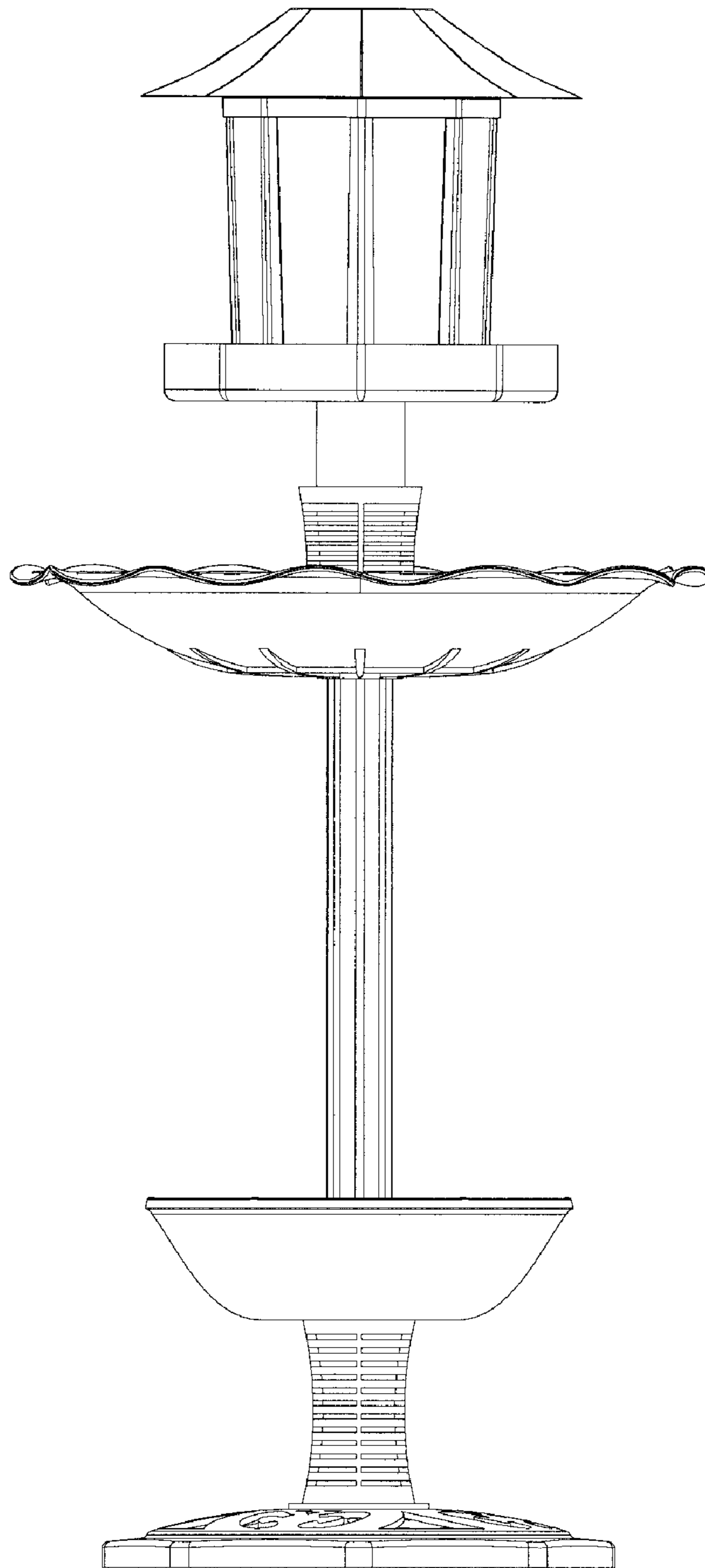


Fig. 2

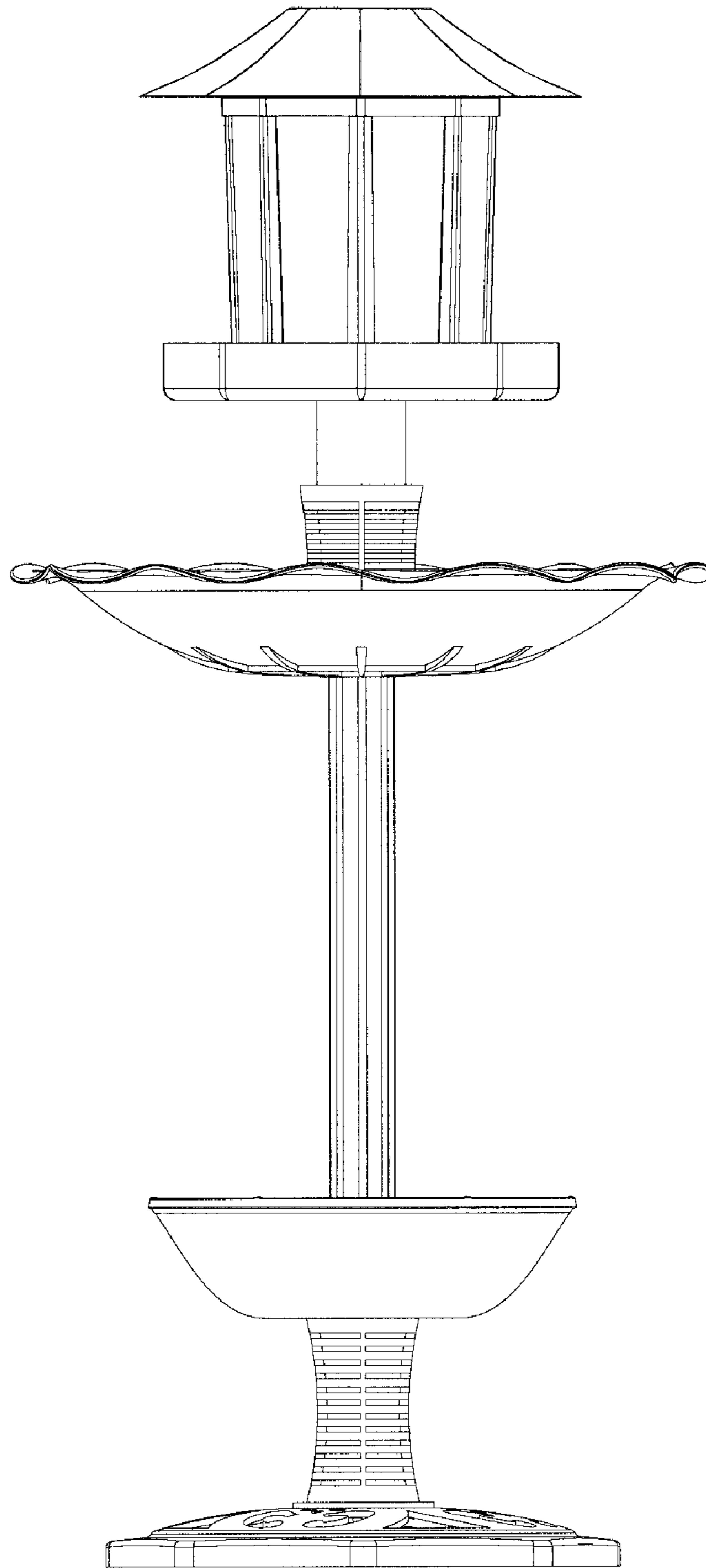


Fig. 3



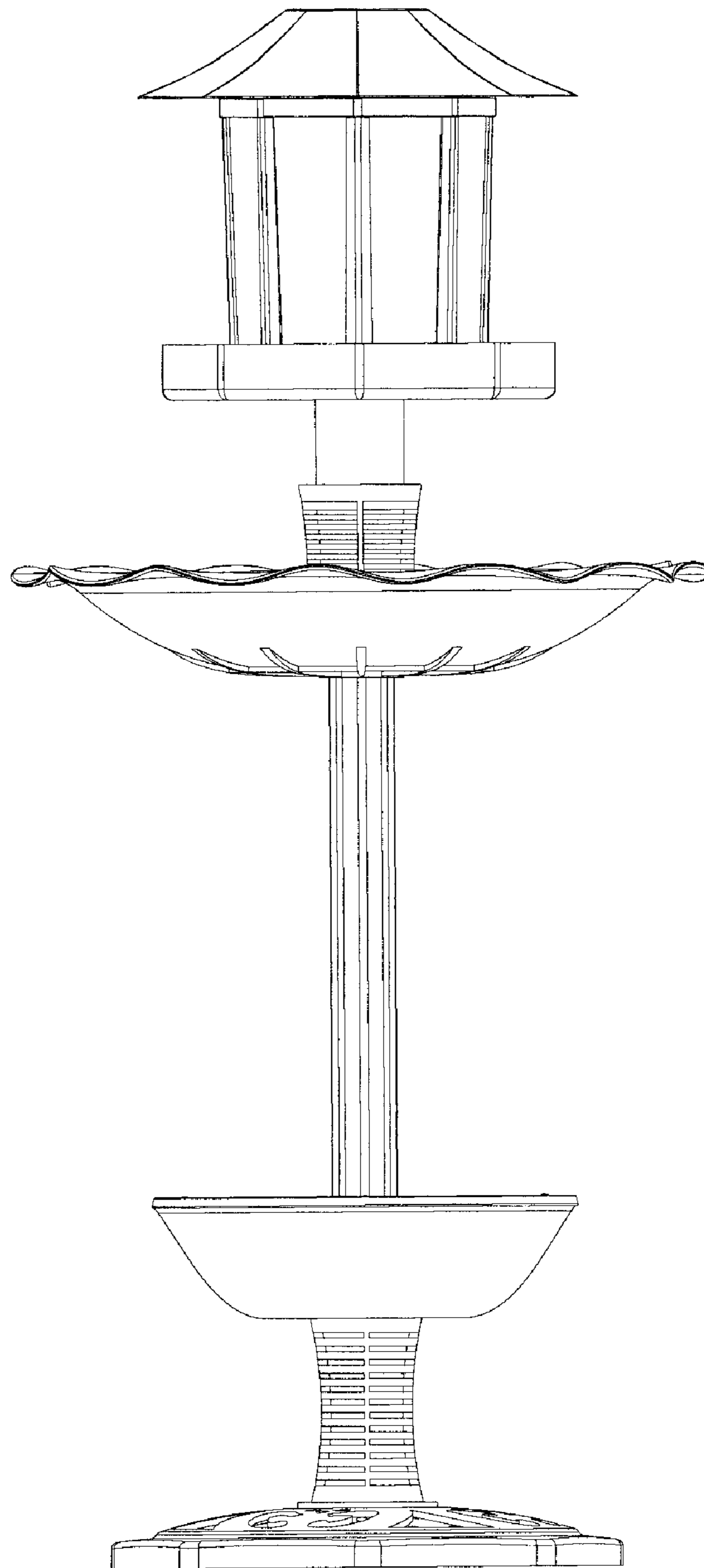


Fig. 4

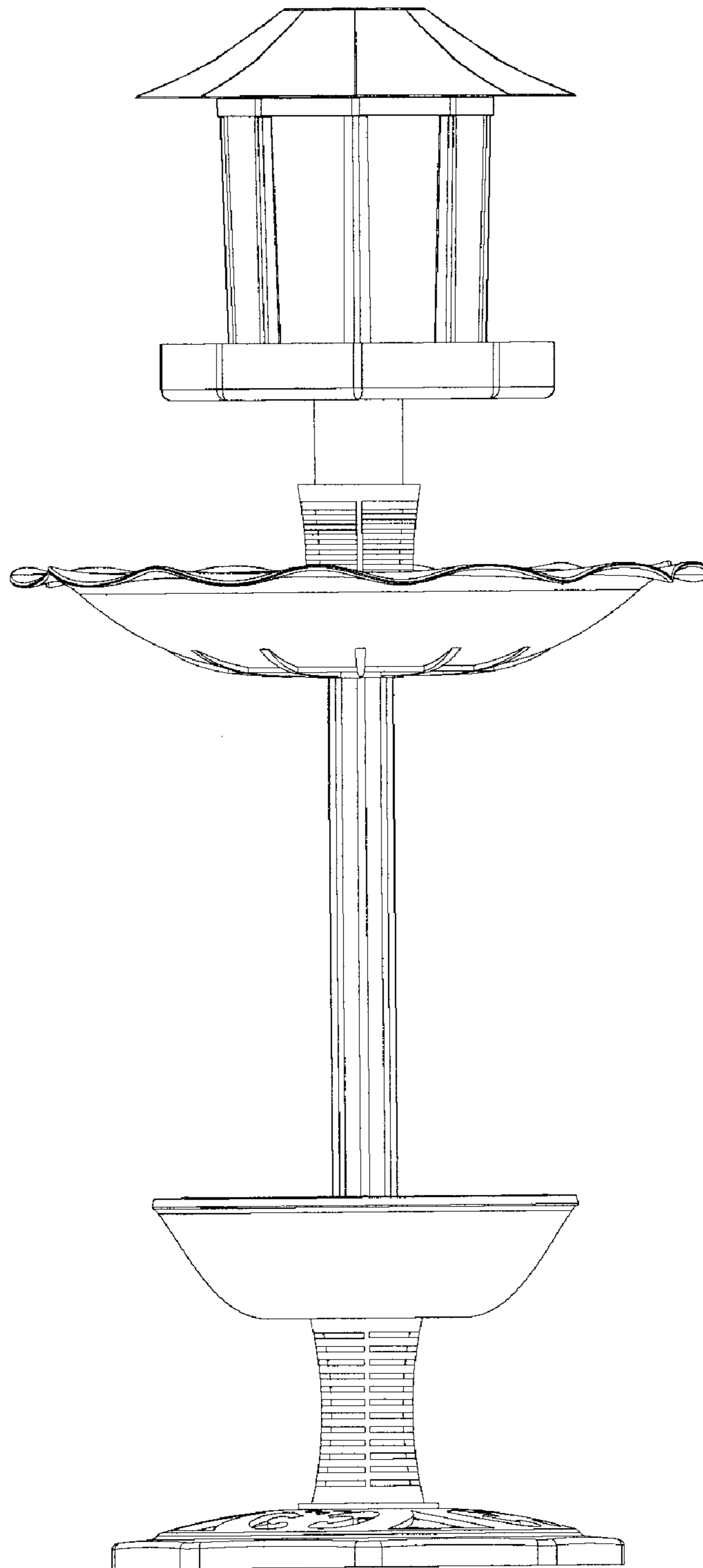


Fig. 5

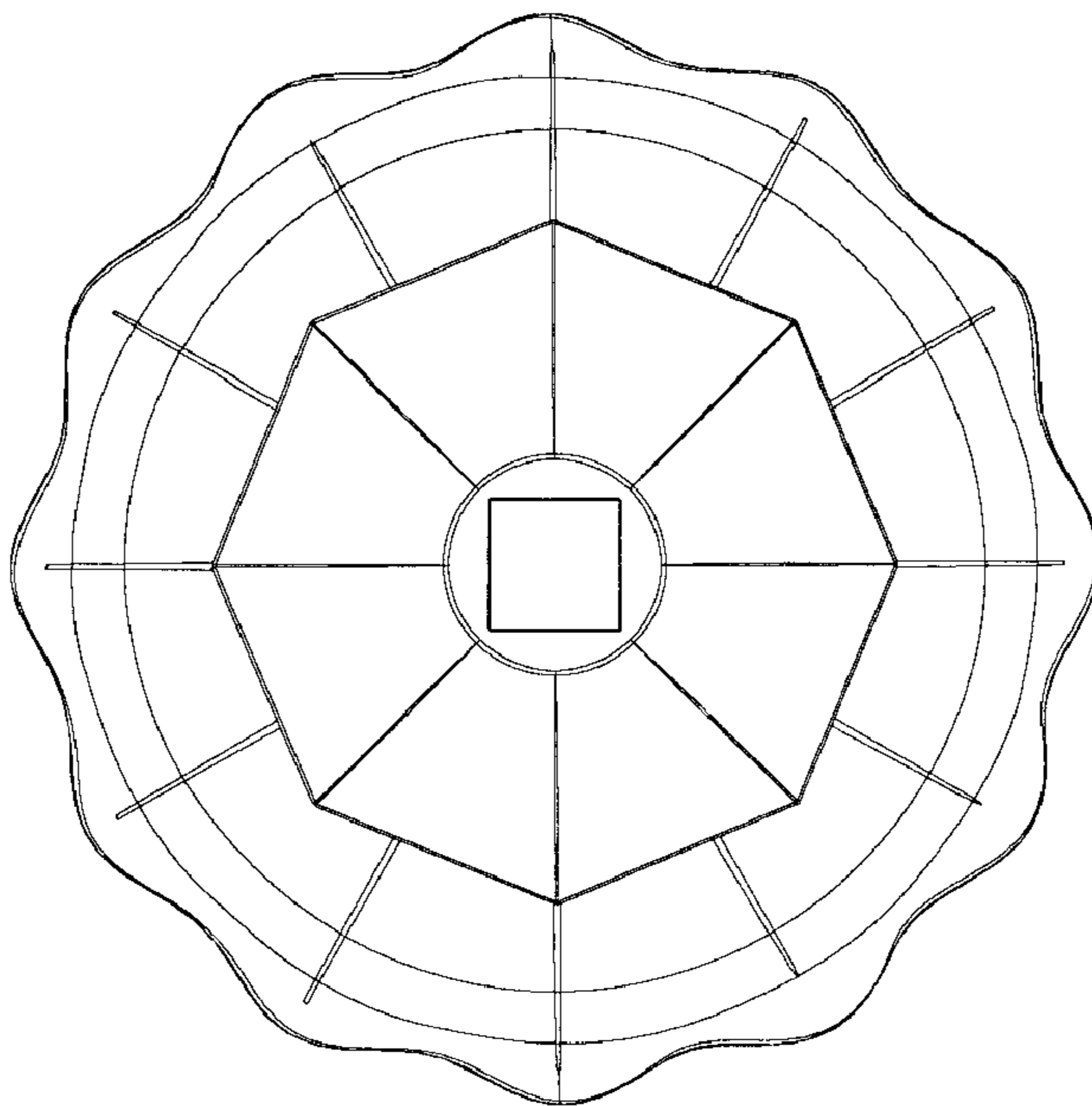


Fig. 6

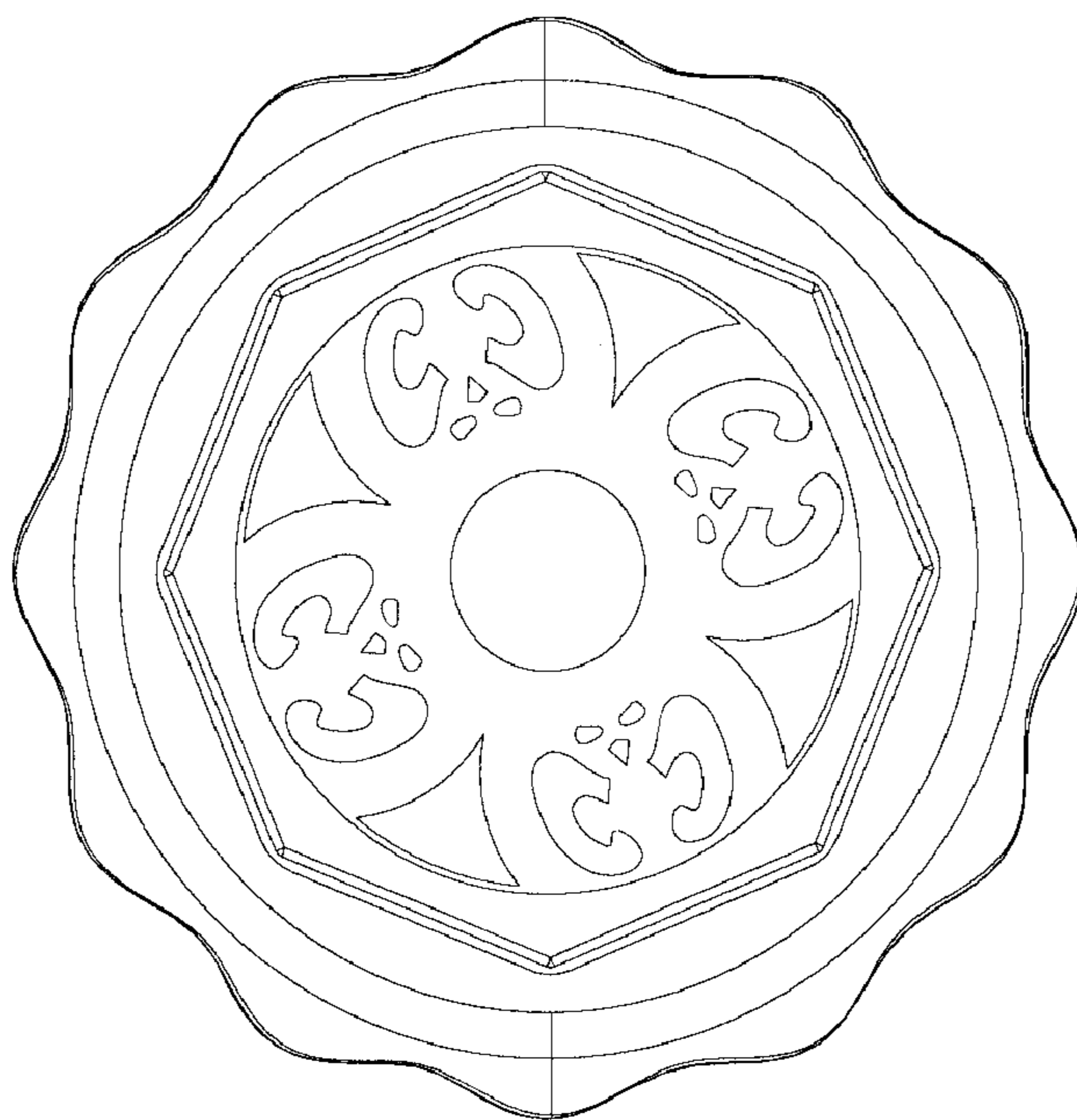


Fig. 7