



US00D609863S

(12) **United States Design Patent**
Gardner

(10) **Patent No.:** **US D609,863 S**
(45) **Date of Patent:** **** Feb. 9, 2010**

(54) **BOTTLE CAP ASSEMBLY FOR A BIRD FEEDER**

(75) Inventor: **Stewart C. Gardner**, P.O. Box 332,
Mansfield, MA (US) 02048

(73) Assignee: **Stewart C. Gardner**, Mansfield, MA
(US)

(**) Term: **14 Years**

(21) Appl. No.: **29/301,357**

(22) Filed: **Feb. 25, 2008**

(51) **LOC (9) Cl.** **30-03**

(52) **U.S. Cl.** **D30/124**

(58) **Field of Classification Search** D30/121,
D30/124-128, 110, 115, 117, 119; 119/51.01,
119/57.8, 53, 428, 429, 469

See application file for complete search history.

(56) **References Cited**

U.S. PATENT DOCUMENTS

3,076,435	A *	2/1963	Seymour	119/77
D194,846	S *	3/1963	Parry	D30/125
3,648,403	A *	3/1972	Gommel	446/491
5,682,835	A *	11/1997	Walter et al.	119/57.8
D472,351	S *	3/2003	Griffin	D30/128

* cited by examiner

Primary Examiner—Susan Moon Lee

(57) **CLAIM**

The ornamental design for a bottle cap assembly for a bird feeder, as shown in the Figures.

DESCRIPTION

FIG. 1 is a front view of the bottle cap assembly for a bird feeder;

FIG. 2 is a back view of the bottle cap assembly;

FIG. 3 is a side view of the bottle cap assembly from a first side;

FIG. 4 is a side view of the bottle cap assembly from a second side;

FIG. 5 is a top view of the bottle cap assembly;

FIG. 6 is a perspective side view of the bottle cap assembly from the top;

FIG. 7 is a bottom view of the bottle cap assembly;

FIG. 8 is a perspective side view of the bottle cap assembly from the bottom;

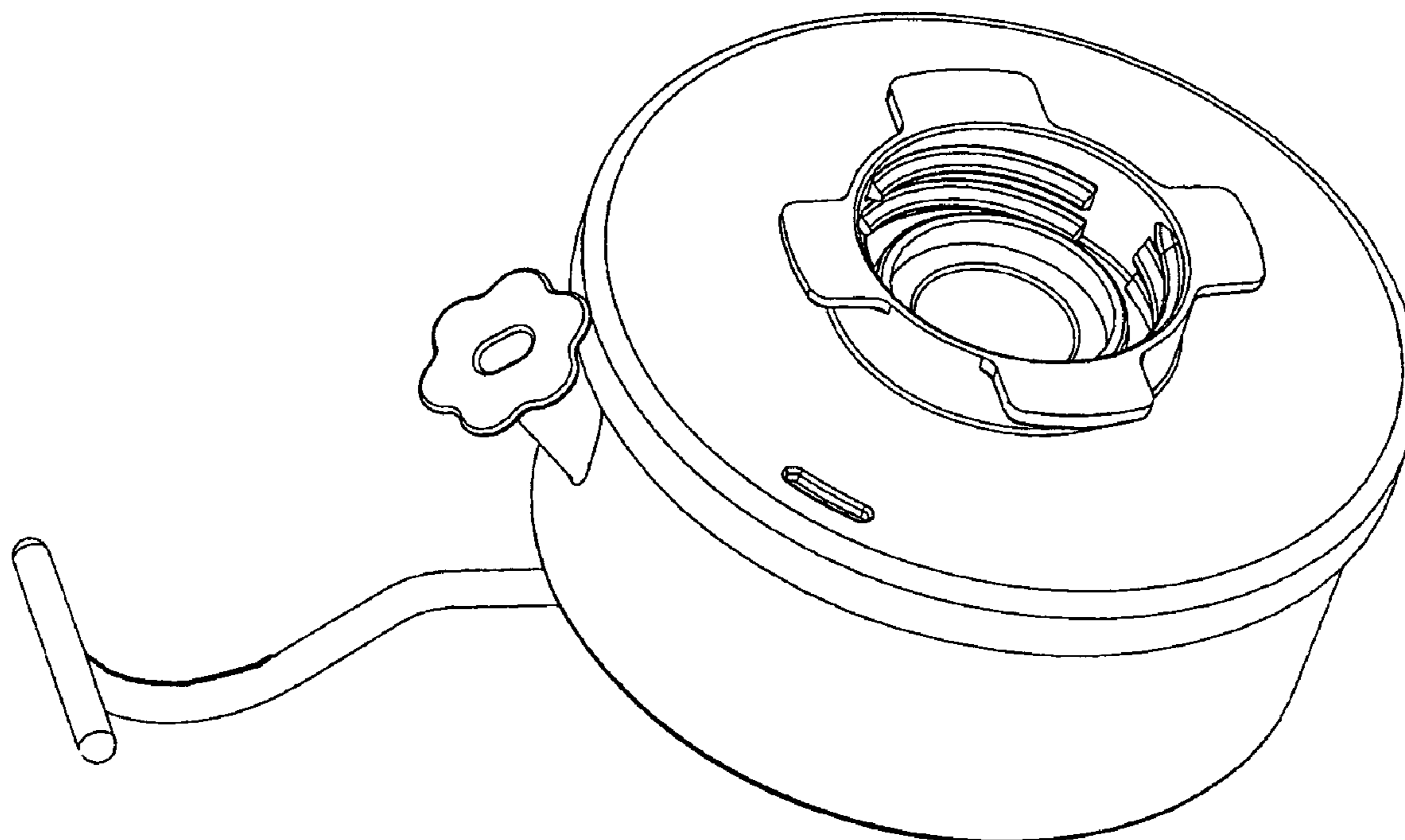
FIG. 9 is a front view of the bottle cap assembly without a perch;

FIG. 10 is a side view of the bottle cap assembly without a perch;

FIG. 11 is a bottom view of the bottle cap assembly without a perch; and,

FIG. 12 is a top view of the bottle cap assembly without a perch.

1 Claim, 12 Drawing Sheets



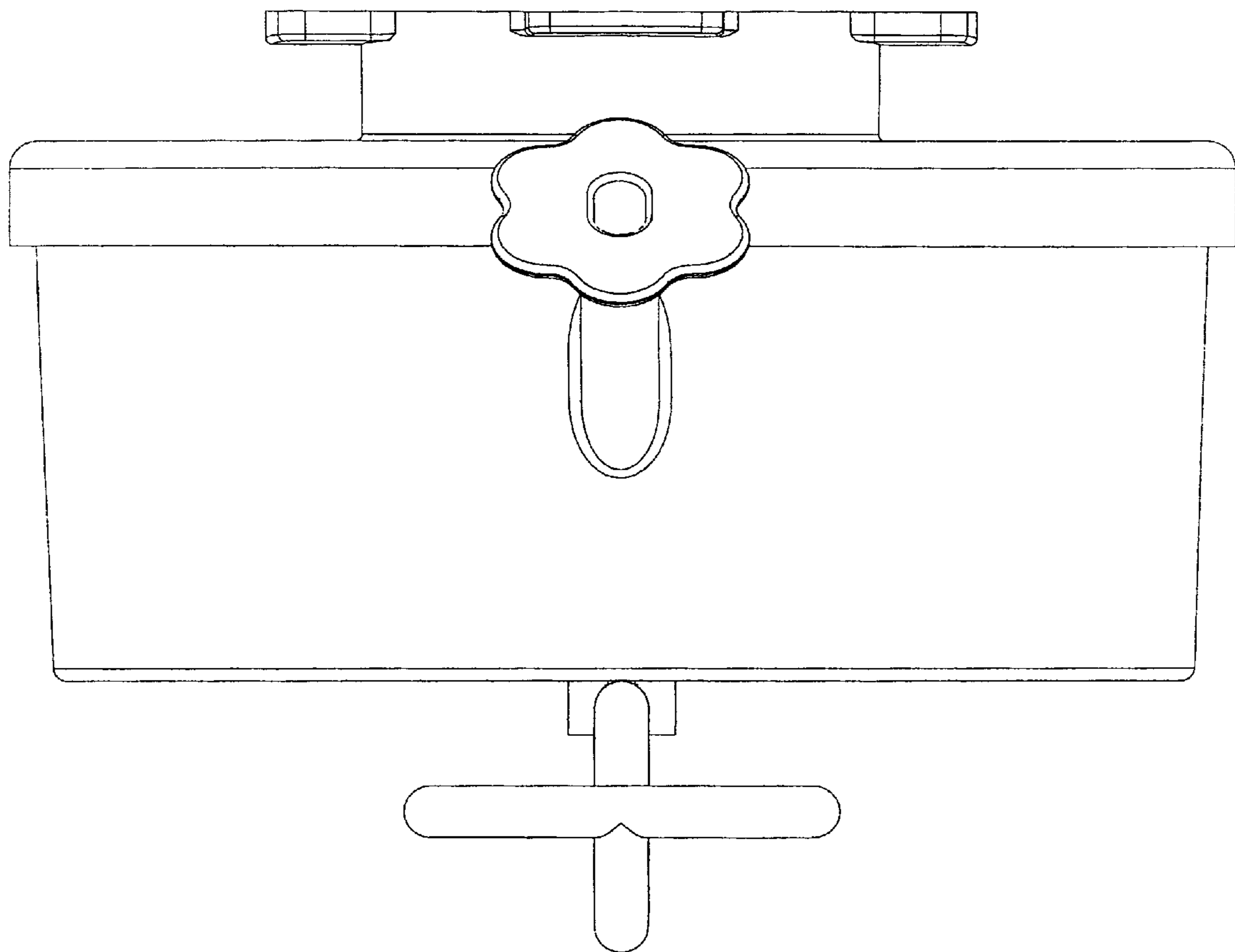


FIG. 1

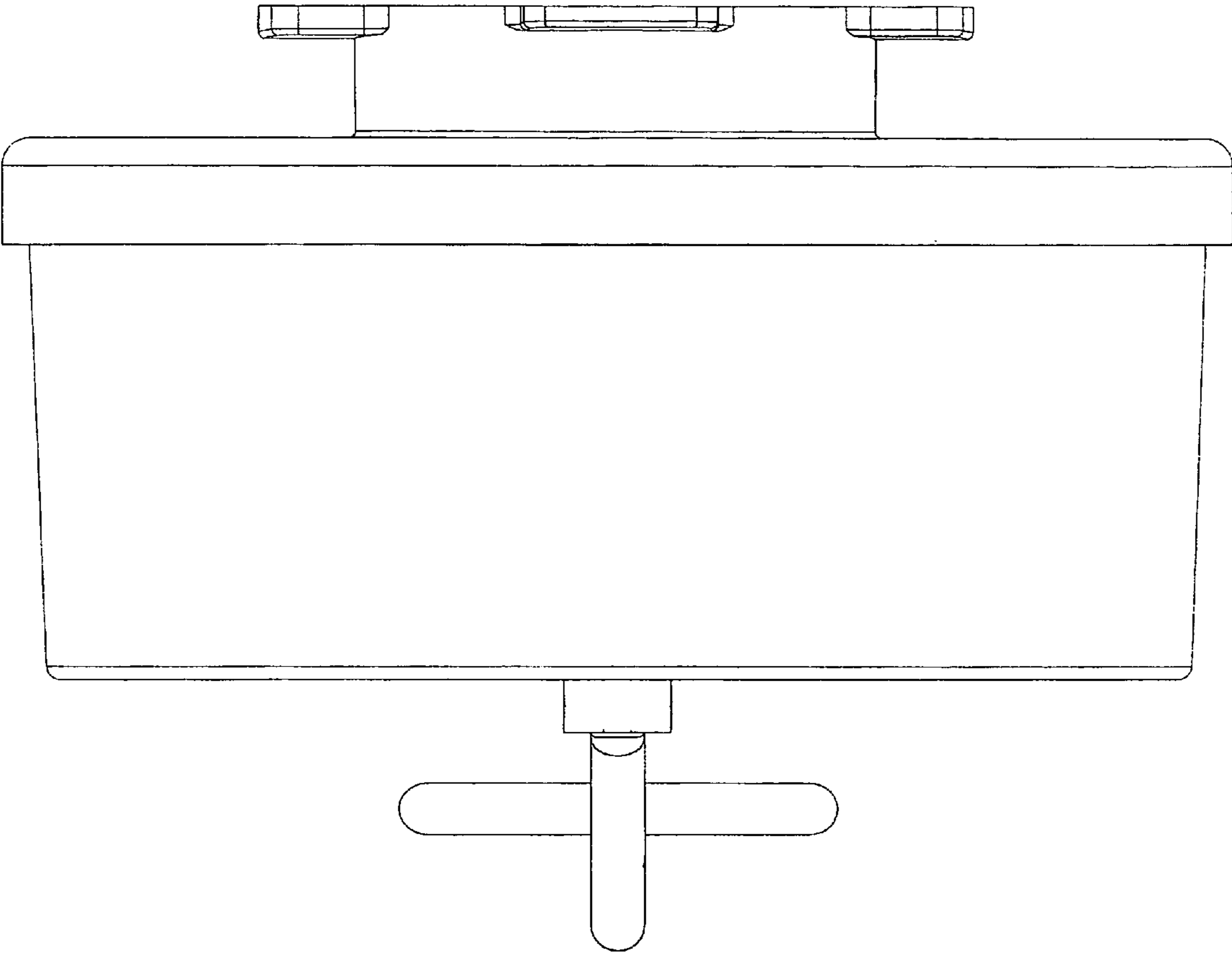


FIG. 2

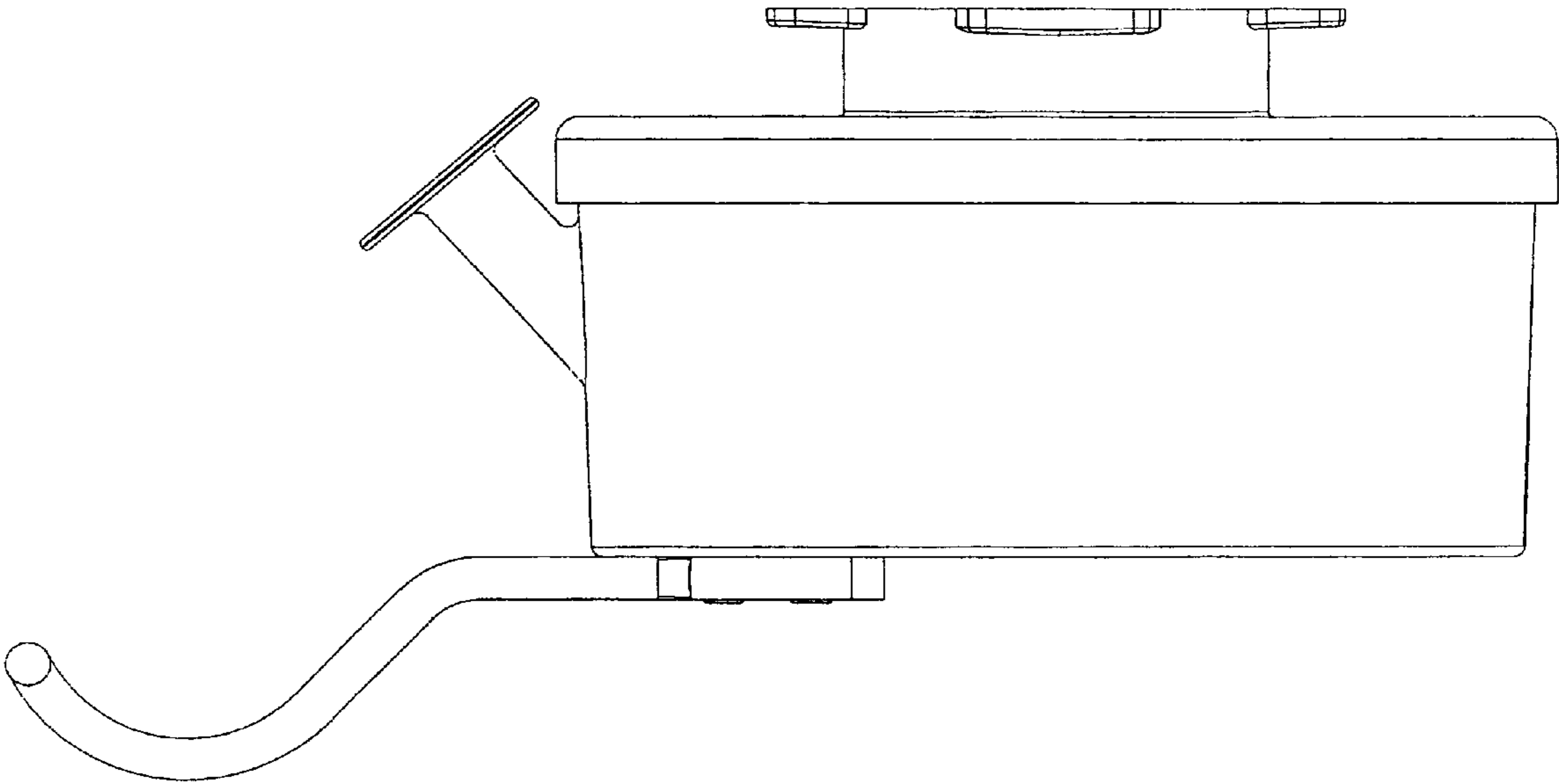


FIG. 3

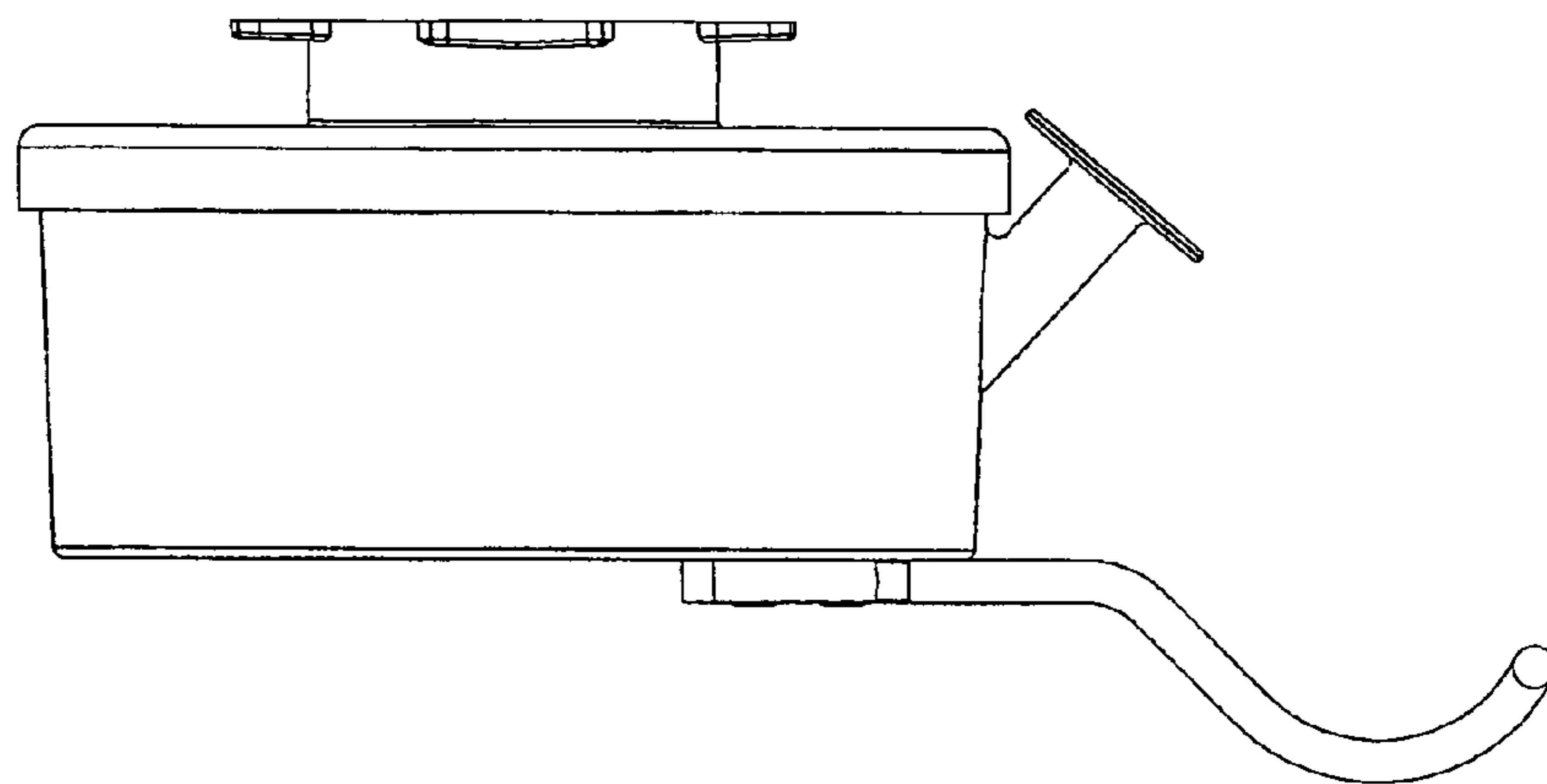


FIG. 4

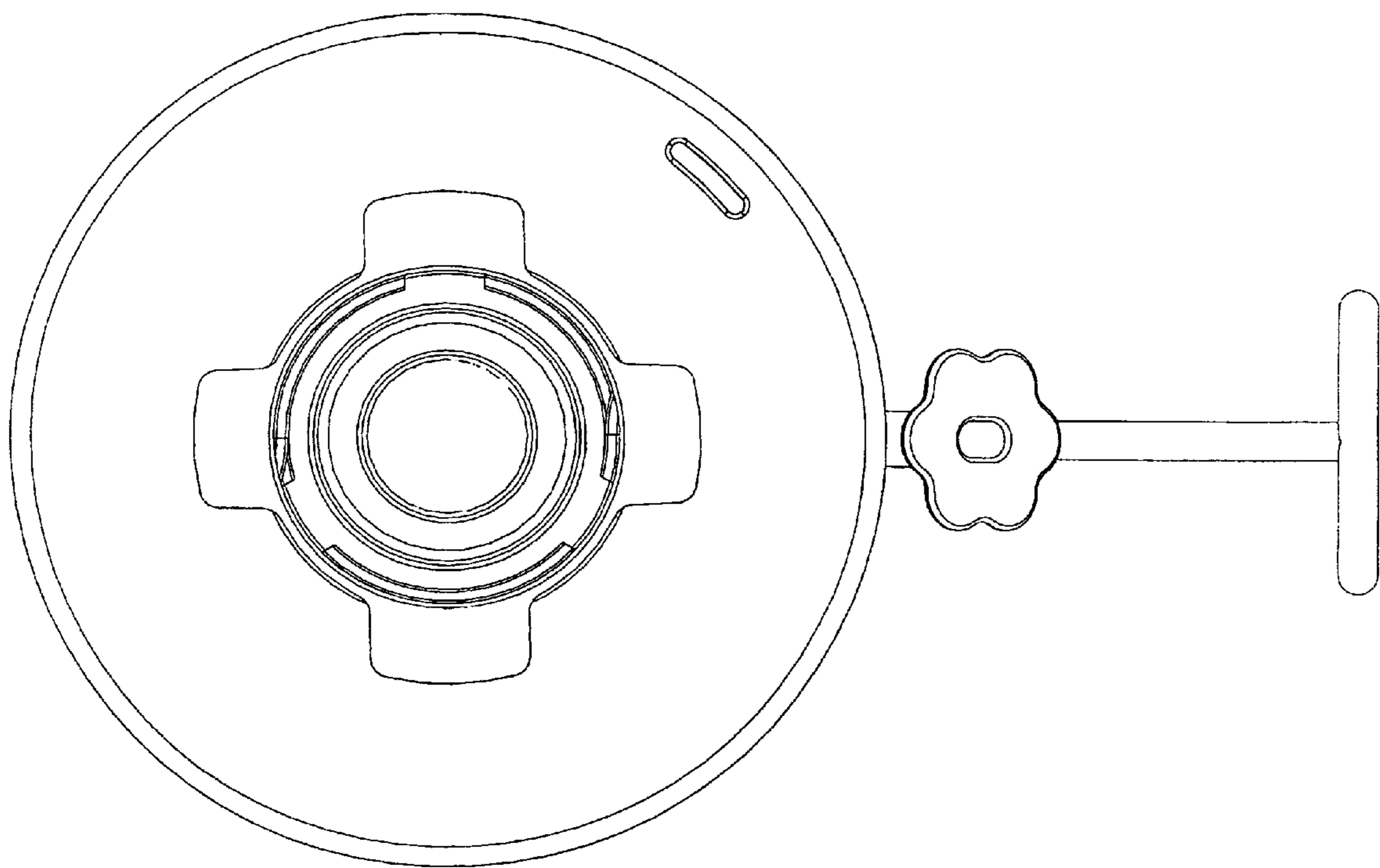


FIG. 5

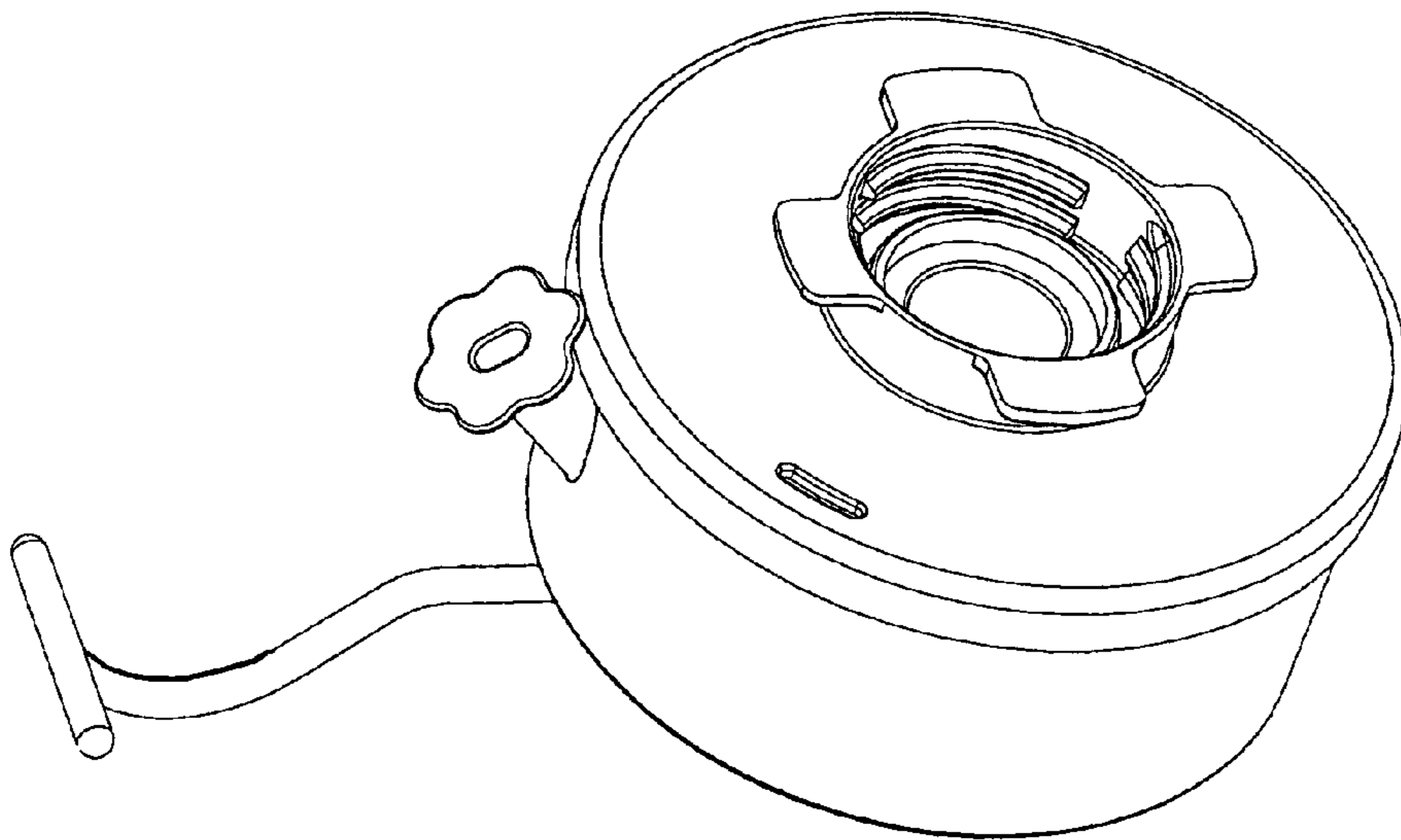


FIG. 6

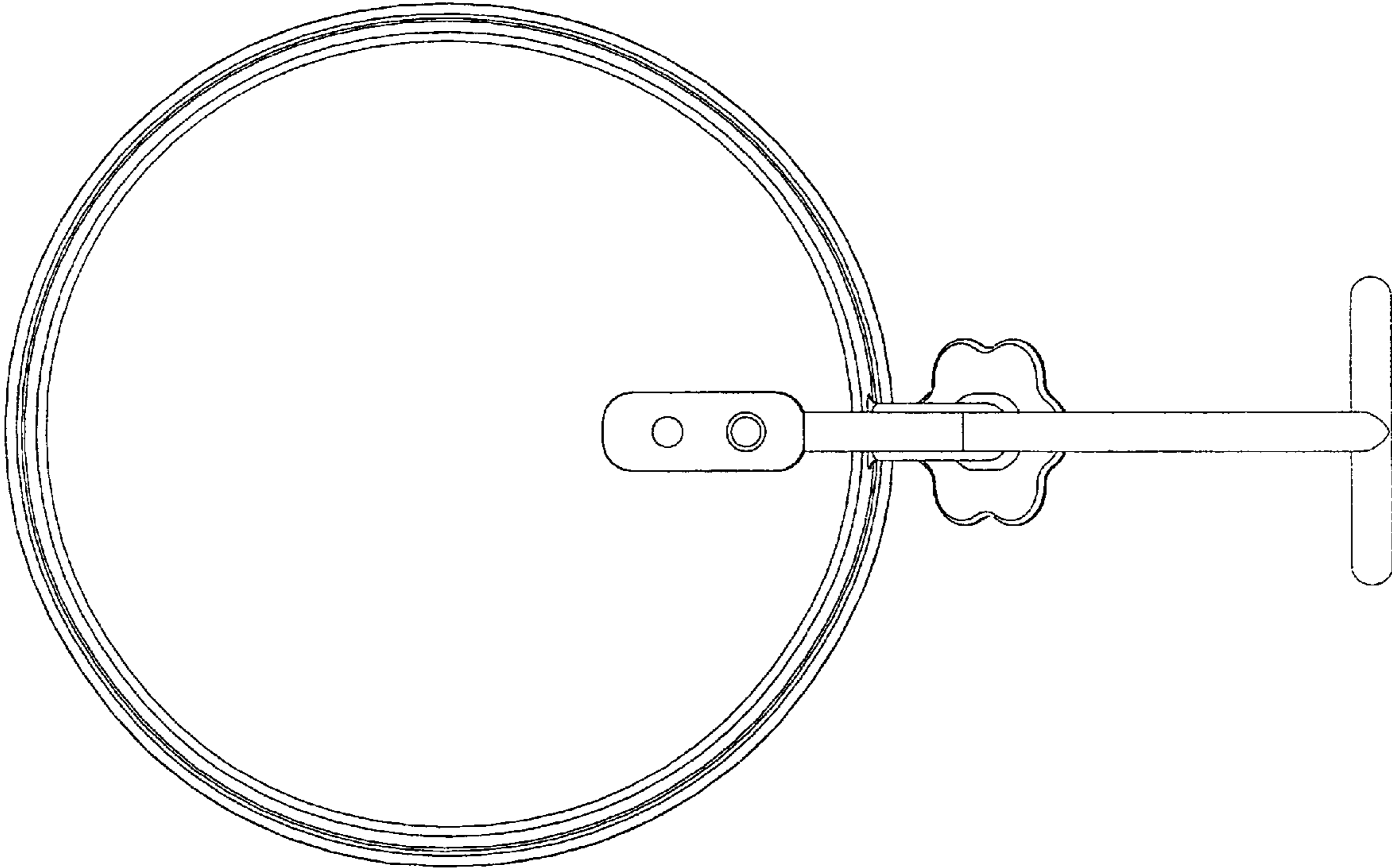


FIG. 7

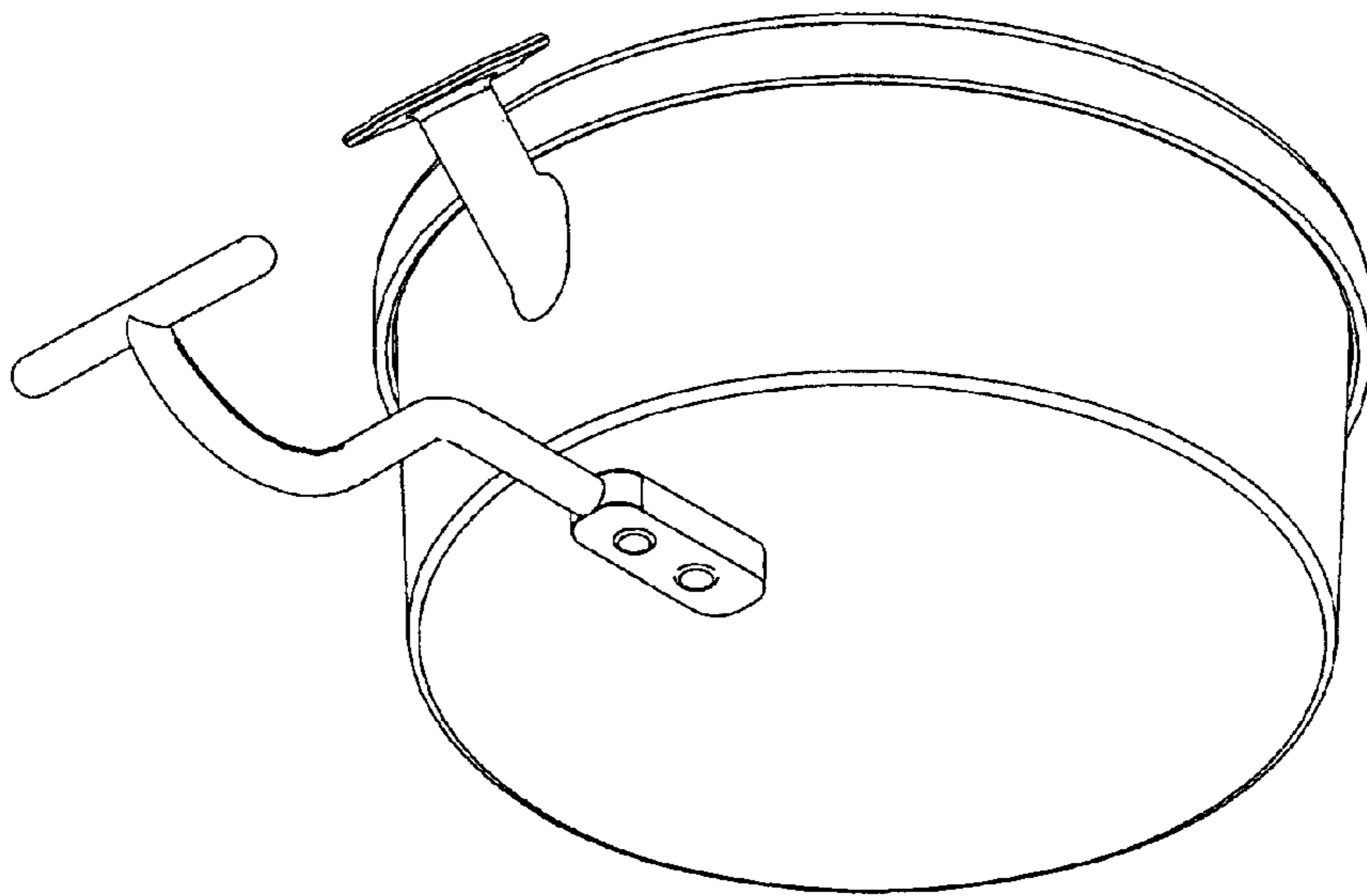


FIG. 8

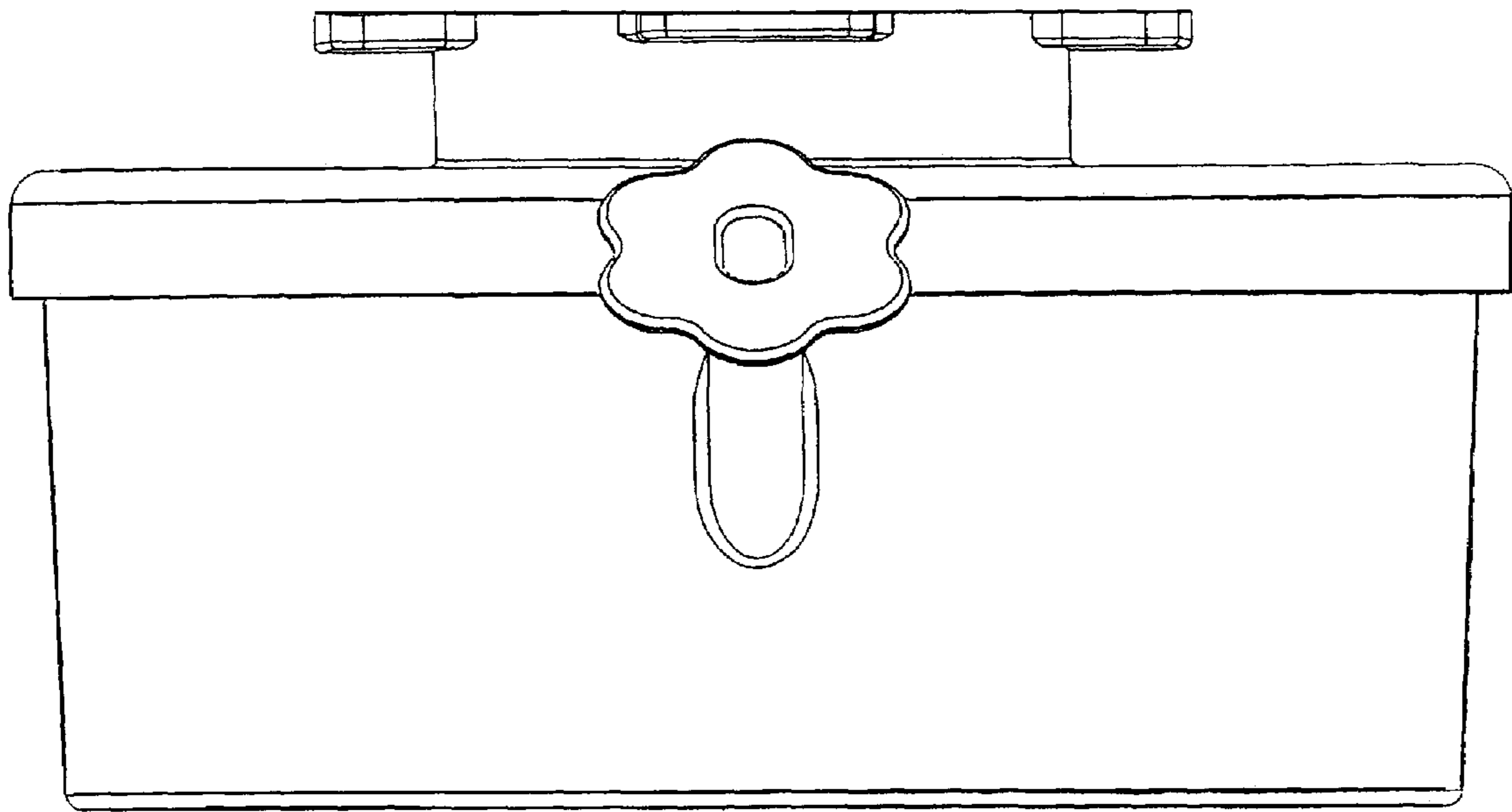


FIG. 9

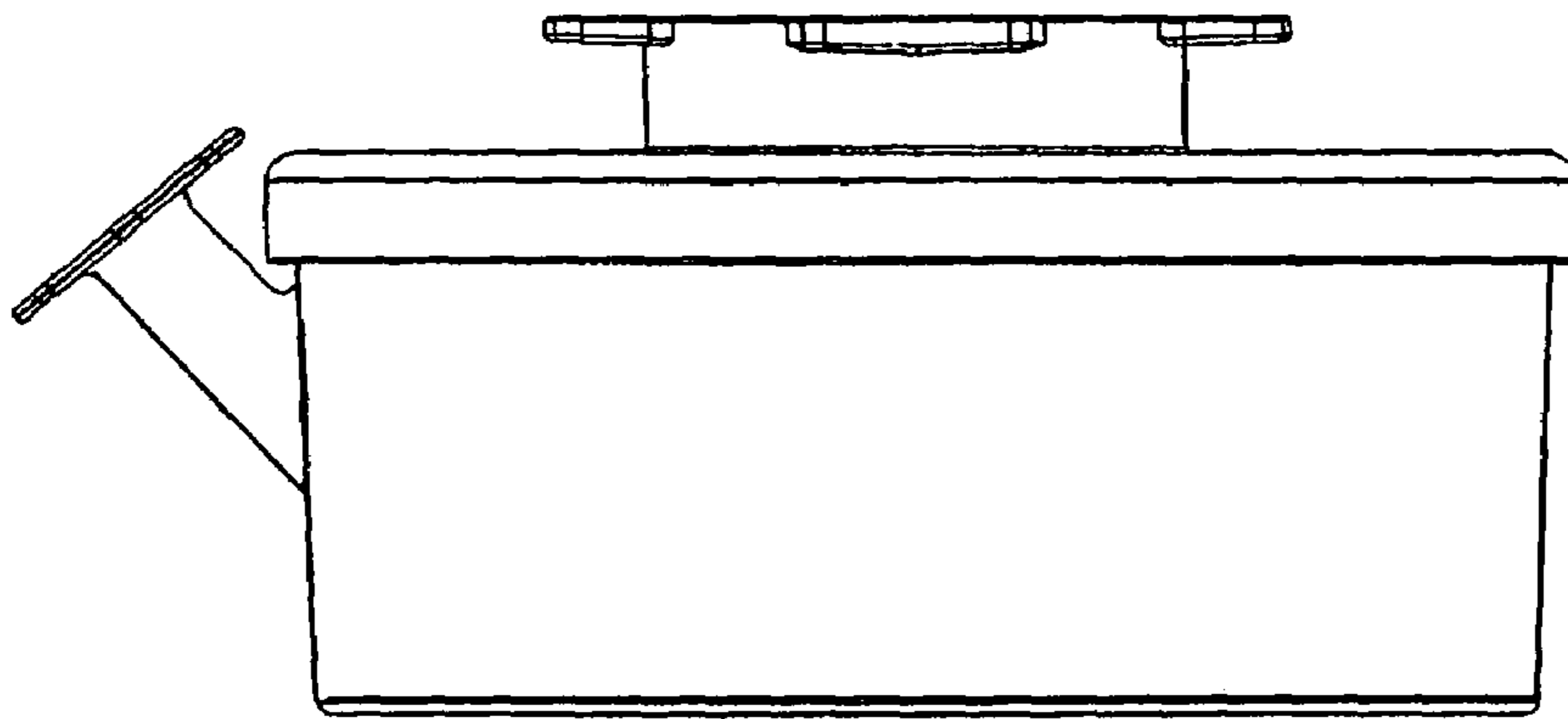


FIG. 10

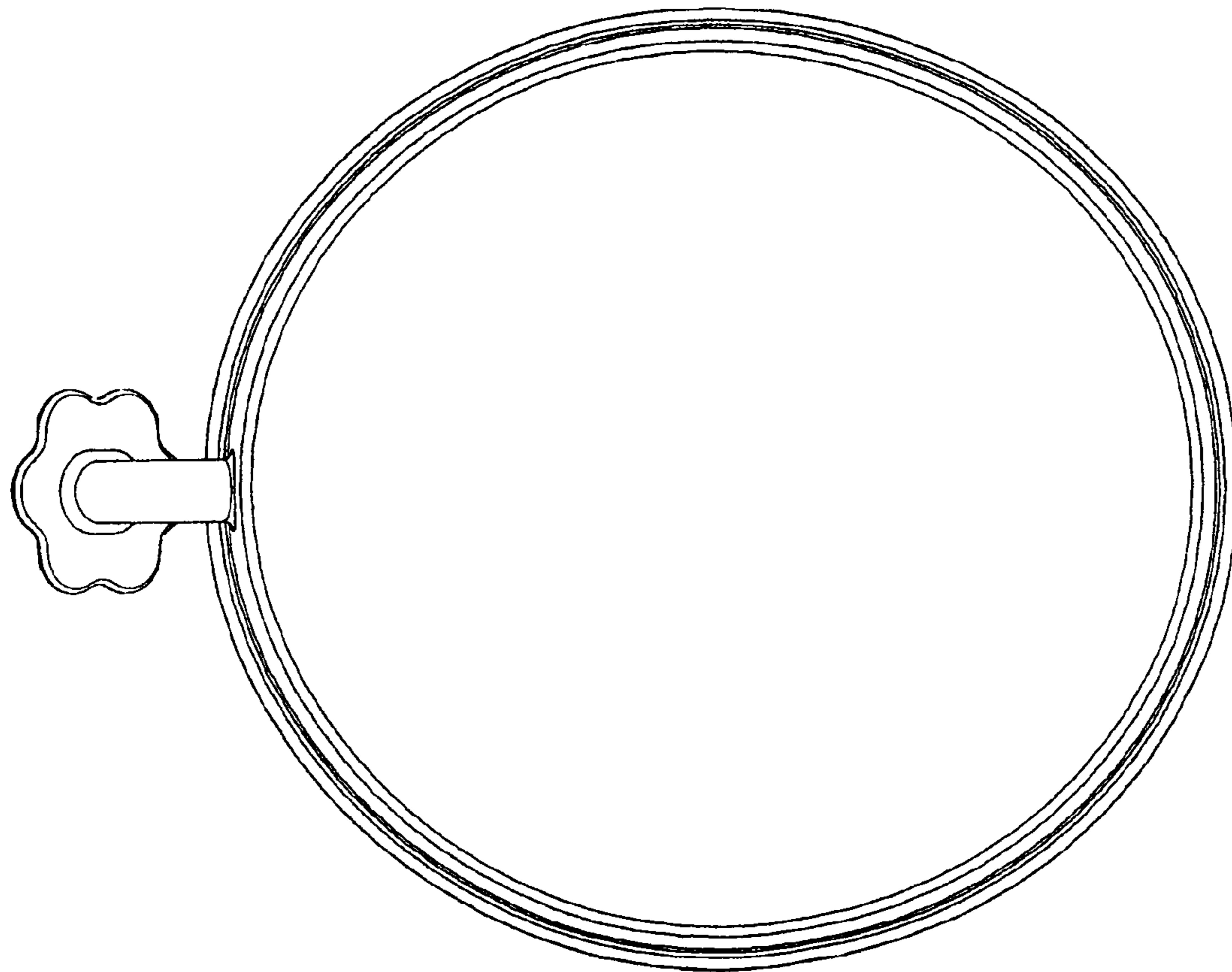


FIG. 11

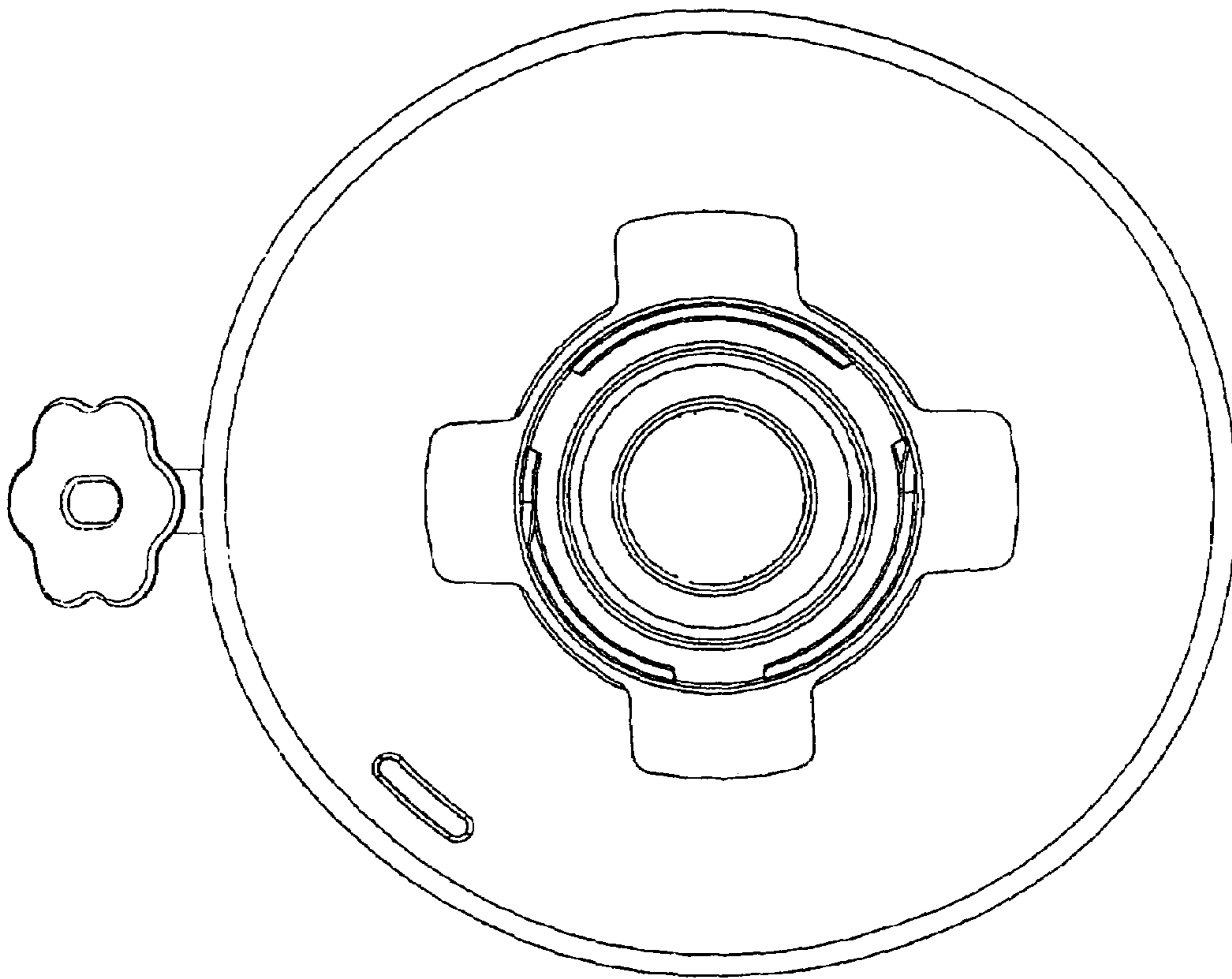


FIG. 12