



US00D609862S

(12) **United States Design Patent**
Gardner

(10) **Patent No.:** **US D609,862 S**

(45) **Date of Patent:** **** Feb. 9, 2010**

(54) **BIRD FEEDER ASSEMBLY**

Primary Examiner—Susan Moon Lee

(75) **Inventor:** **Stewart C. Gardner**, P.O. Box 332,
Mansfield, MA (US) 02048

(57) **CLAIM**

The ornamental design for a bird feeder assembly, as shown in the Figures.

(73) **Assignee:** **Stewart C. Gardner**, Mansfield, MA
(US)

(**) **Term:** **14 Years**

DESCRIPTION

(21) **Appl. No.:** **29/301,337**

FIG. 1 is a front view of the bird feeder assembly;

(22) **Filed:** **Feb. 25, 2008**

FIG. 2 is a side view of the bird feeder assembly from a first side;

(51) **LOC (9) Cl.** **30-03**

FIG. 3 is a side view of the bird feeder assembly from a second side;

(52) **U.S. Cl.** **D30/124**

FIG. 4 is a back view of the bird feeder assembly;

(58) **Field of Classification Search** D30/121,
D30/124-128, 110, 115, 117, 119; 119/51.01,
119/57.8, 53, 428, 429, 469

FIG. 5 is a bottom view of the bird feeder assembly;

See application file for complete search history.

FIG. 6 is a perspective side view of the bird feeder assembly from the bottom;

(56) **References Cited**

FIG. 7 is a top view of the bird feeder assembly;

U.S. PATENT DOCUMENTS

FIG. 8 is a perspective side view of the bird feeder assembly from the top;

1,108,277	A *	8/1914	Thale	449/10
1,718,432	A *	6/1929	Qualmann	119/464
2,267,883	A *	12/1941	Wood	119/77
2,573,802	A *	11/1951	Mitchell	119/77
4,691,665	A *	9/1987	Hefner	119/77
5,423,291	A *	6/1995	Daugherty	119/77
D392,428	S *	3/1998	Atchley	D30/121
6,021,896	A *	2/2000	Marshall	206/315.9

FIG. 9 is a front view of the bird feeder assembly without a perch;

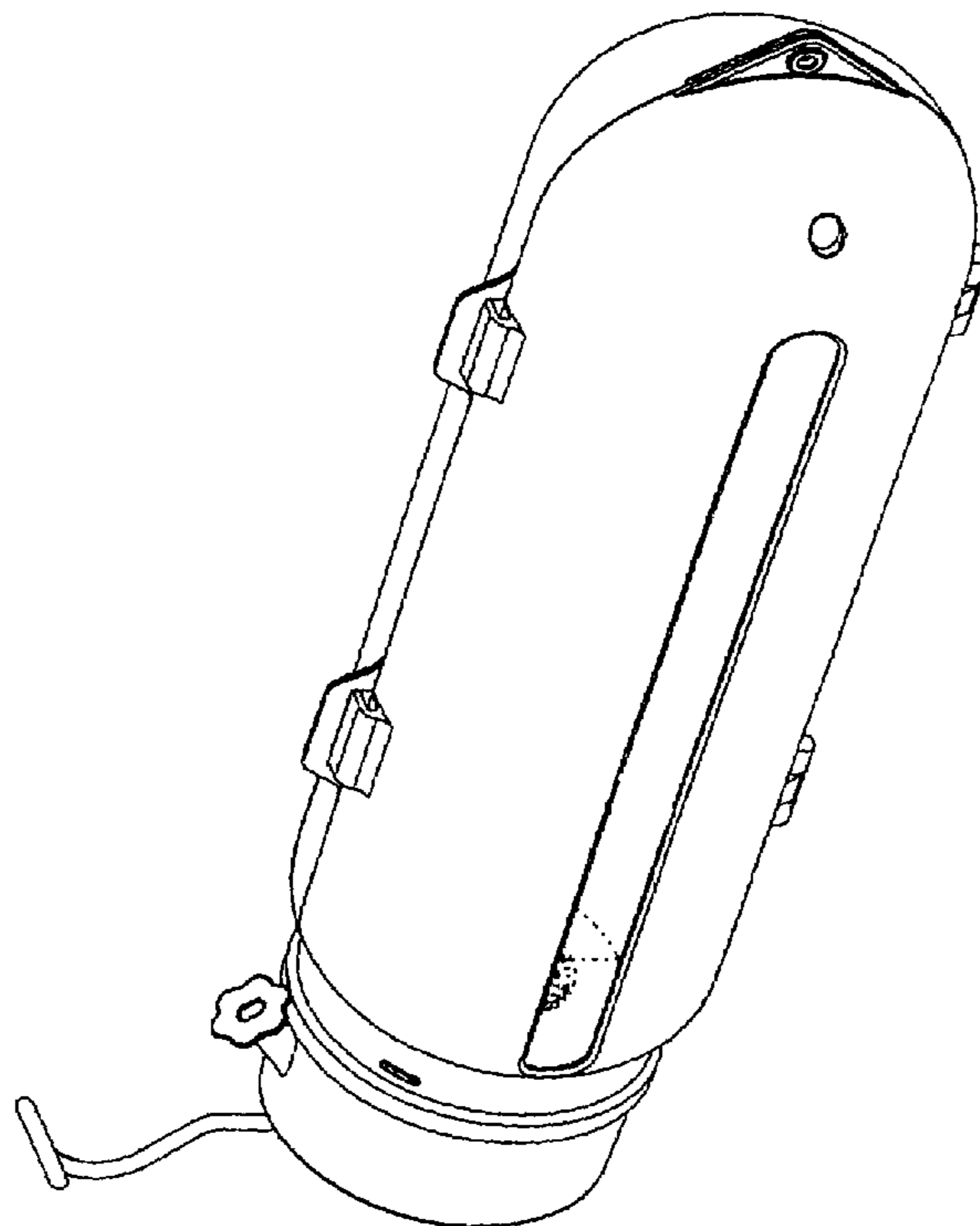
FIG. 10 is a first side view of the bird feeder assembly without a perch;

FIG. 11 is a second side view of the bird feeder assembly without a perch; and,

FIG. 12 is a bottom view of the bird feeder assembly without a perch.

* cited by examiner

1 Claim, 12 Drawing Sheets



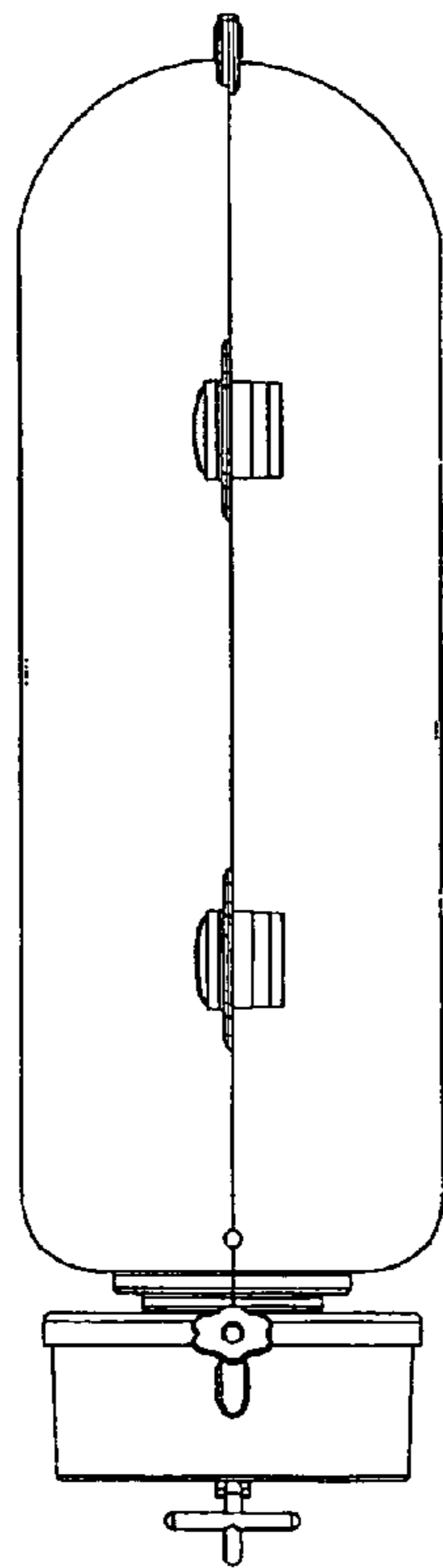


FIG. 1

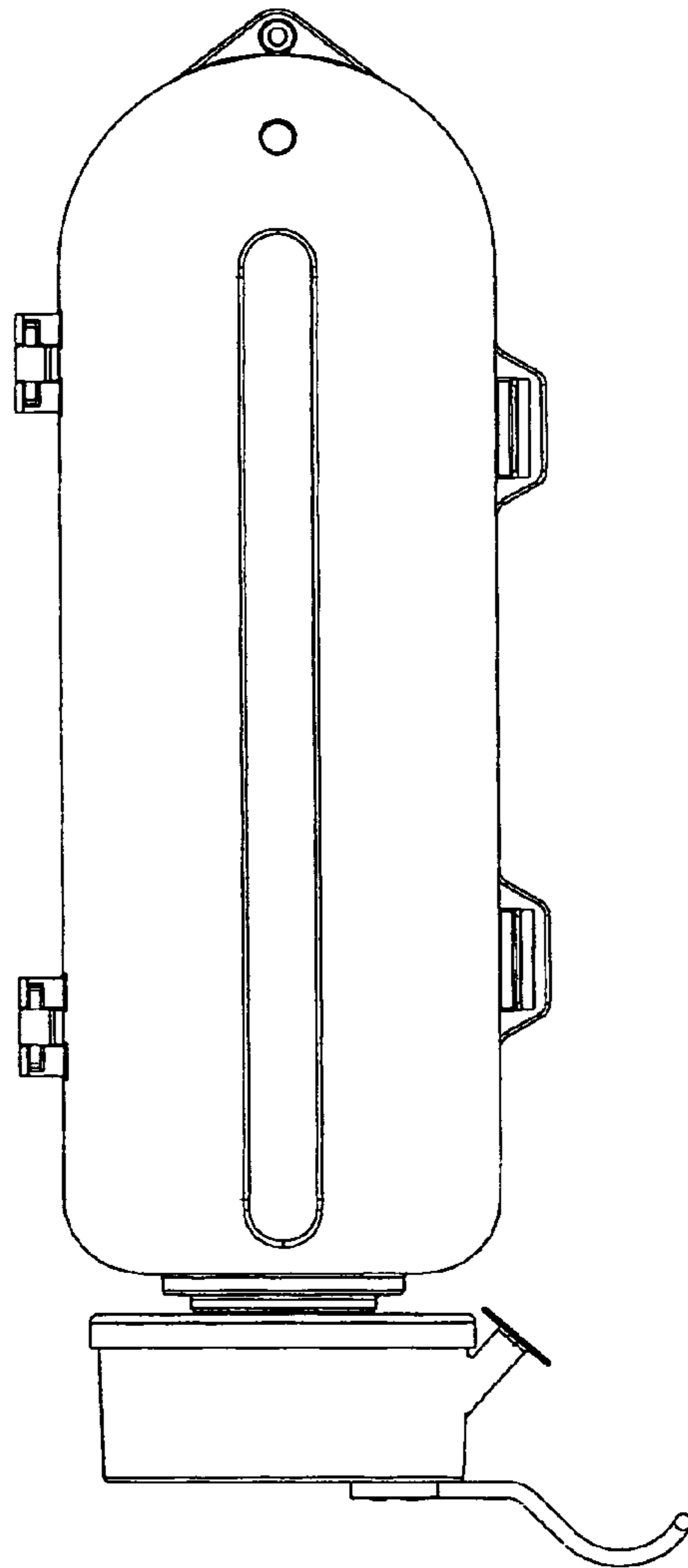


FIG. 2

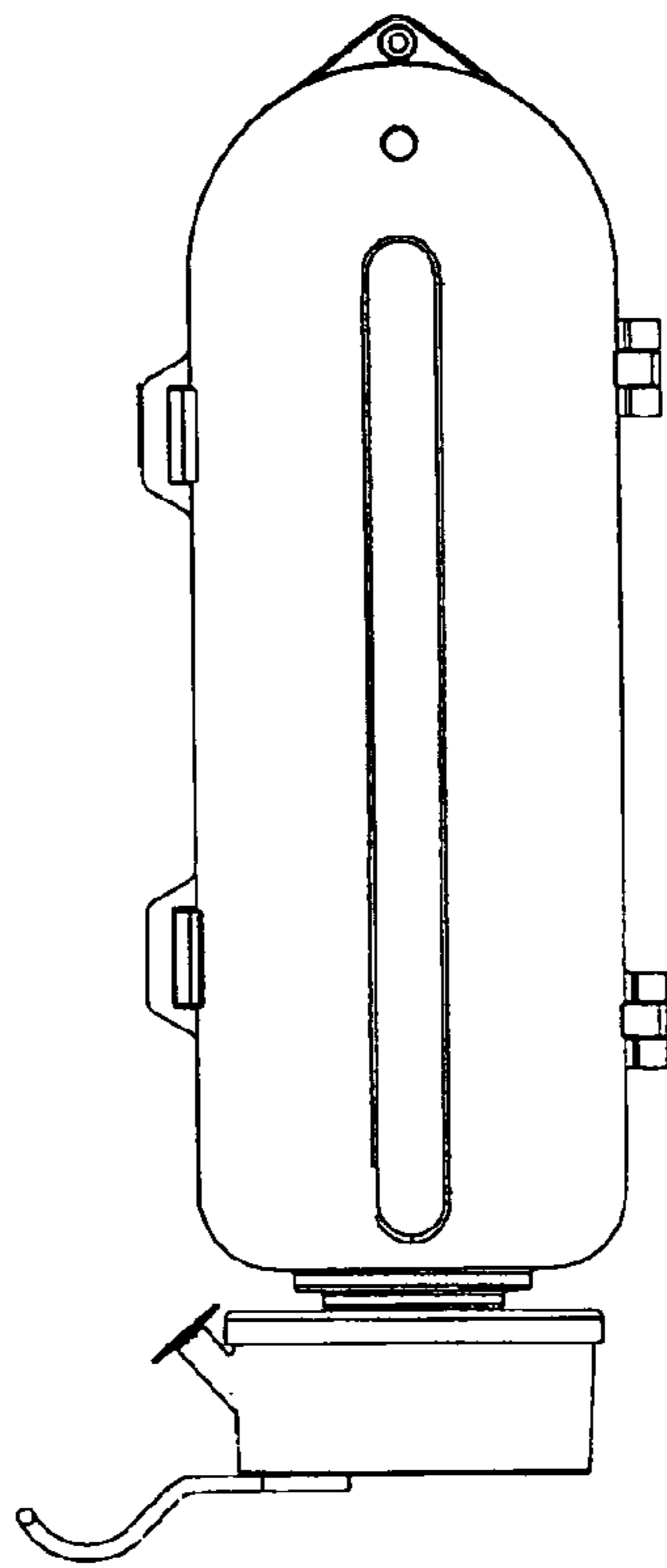


FIG. 3

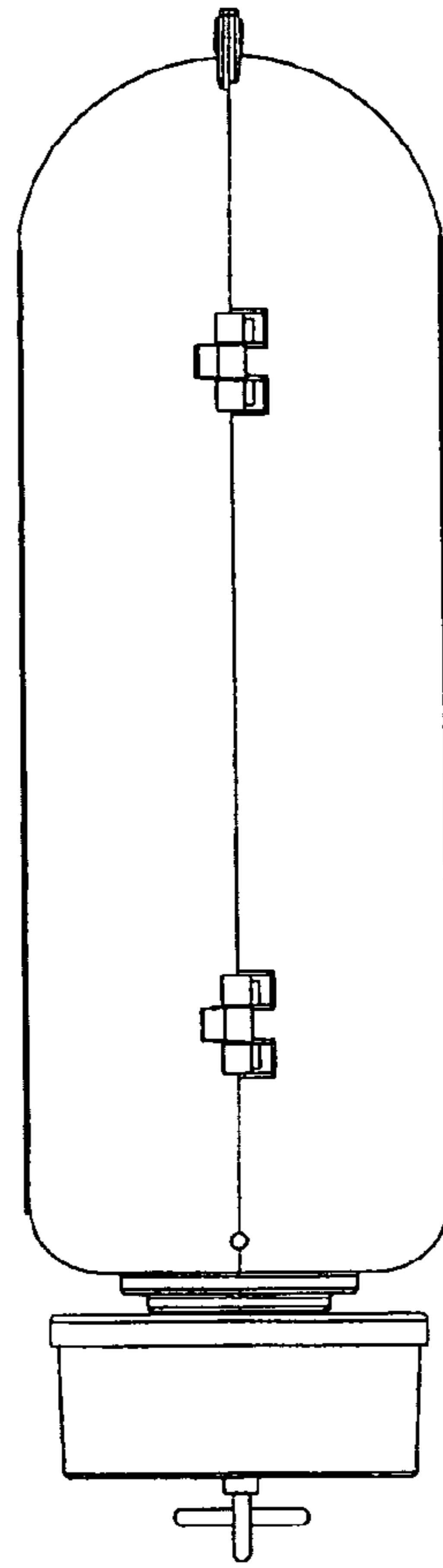


FIG. 4

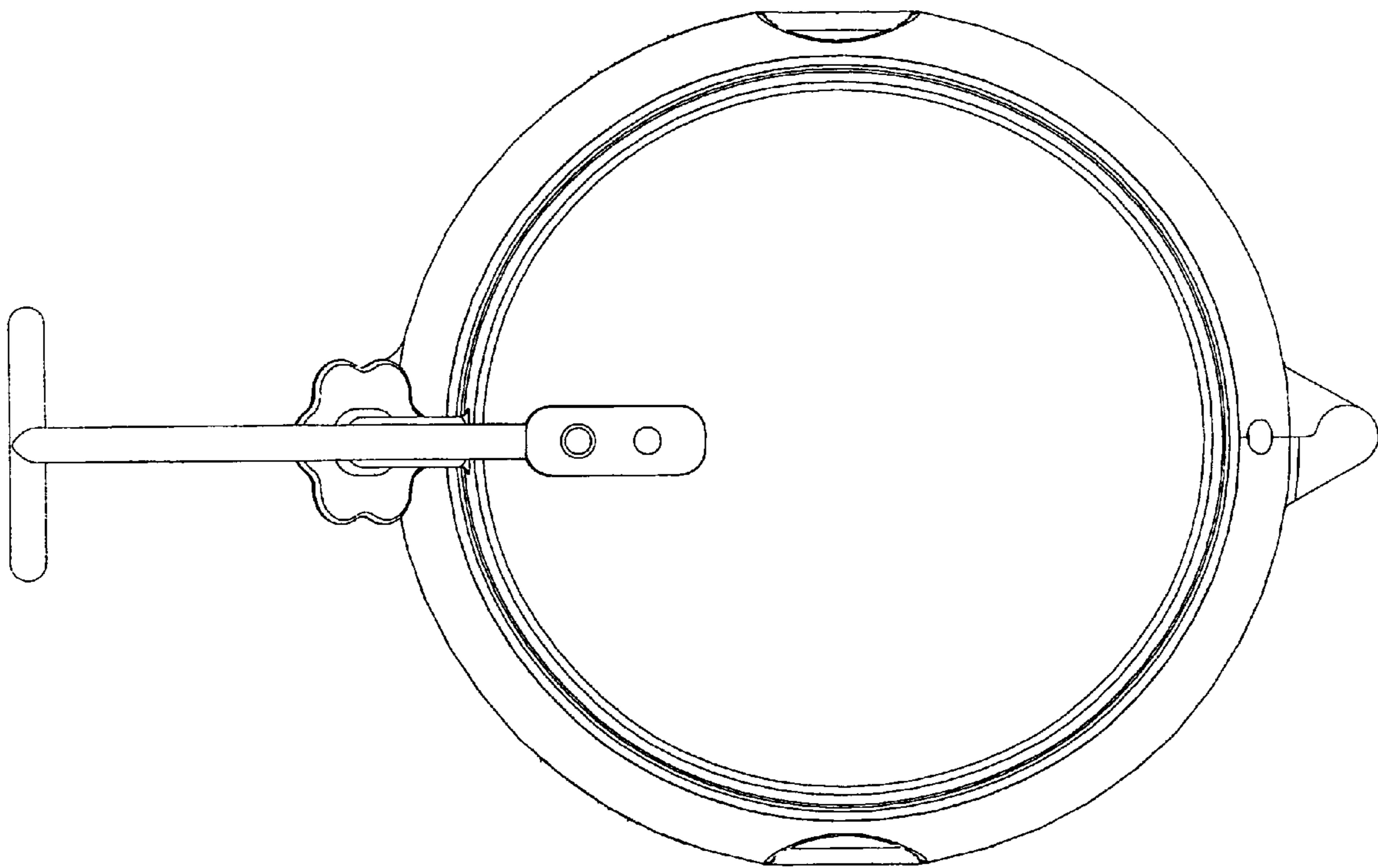


FIG. 5

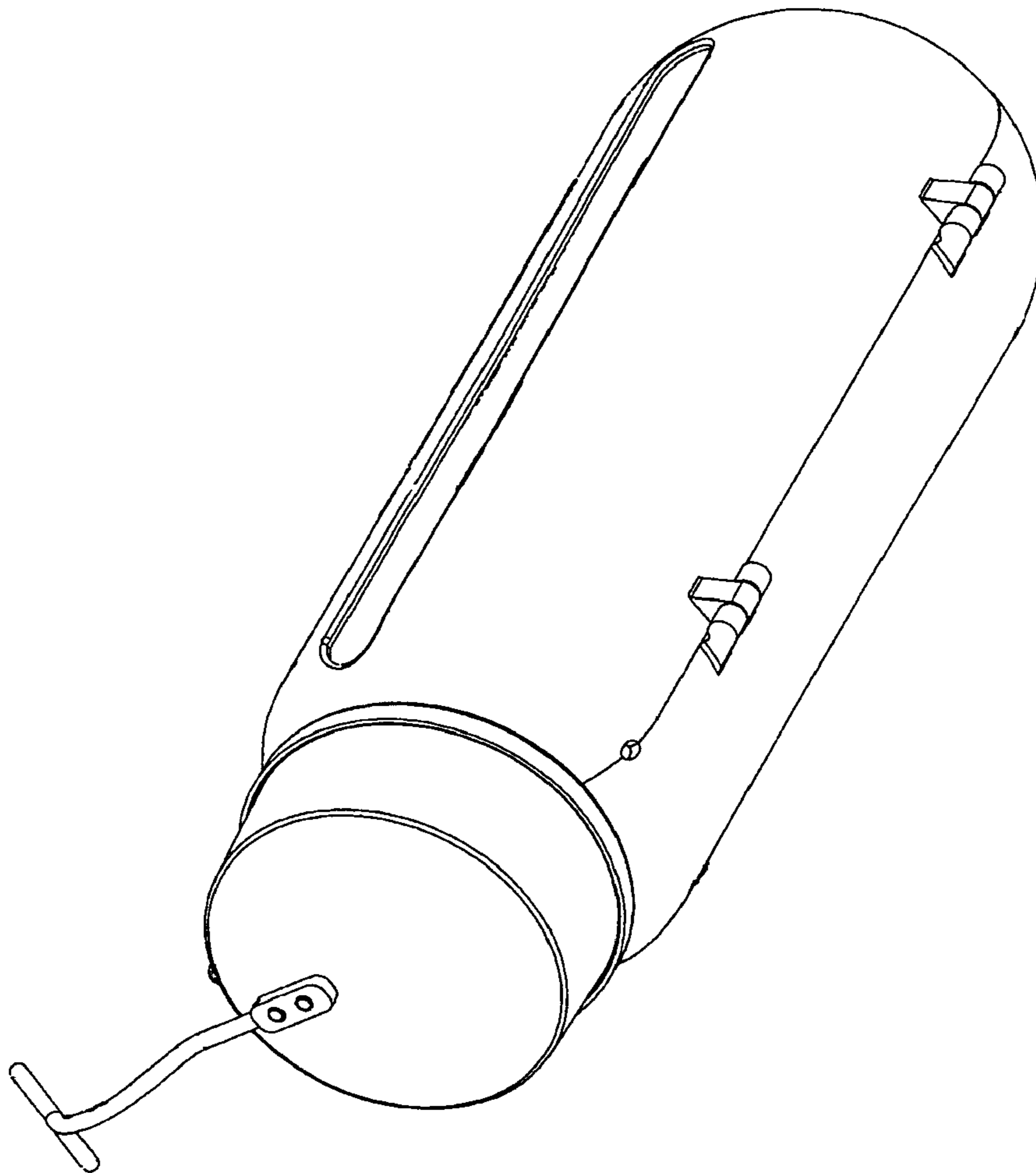


FIG. 6

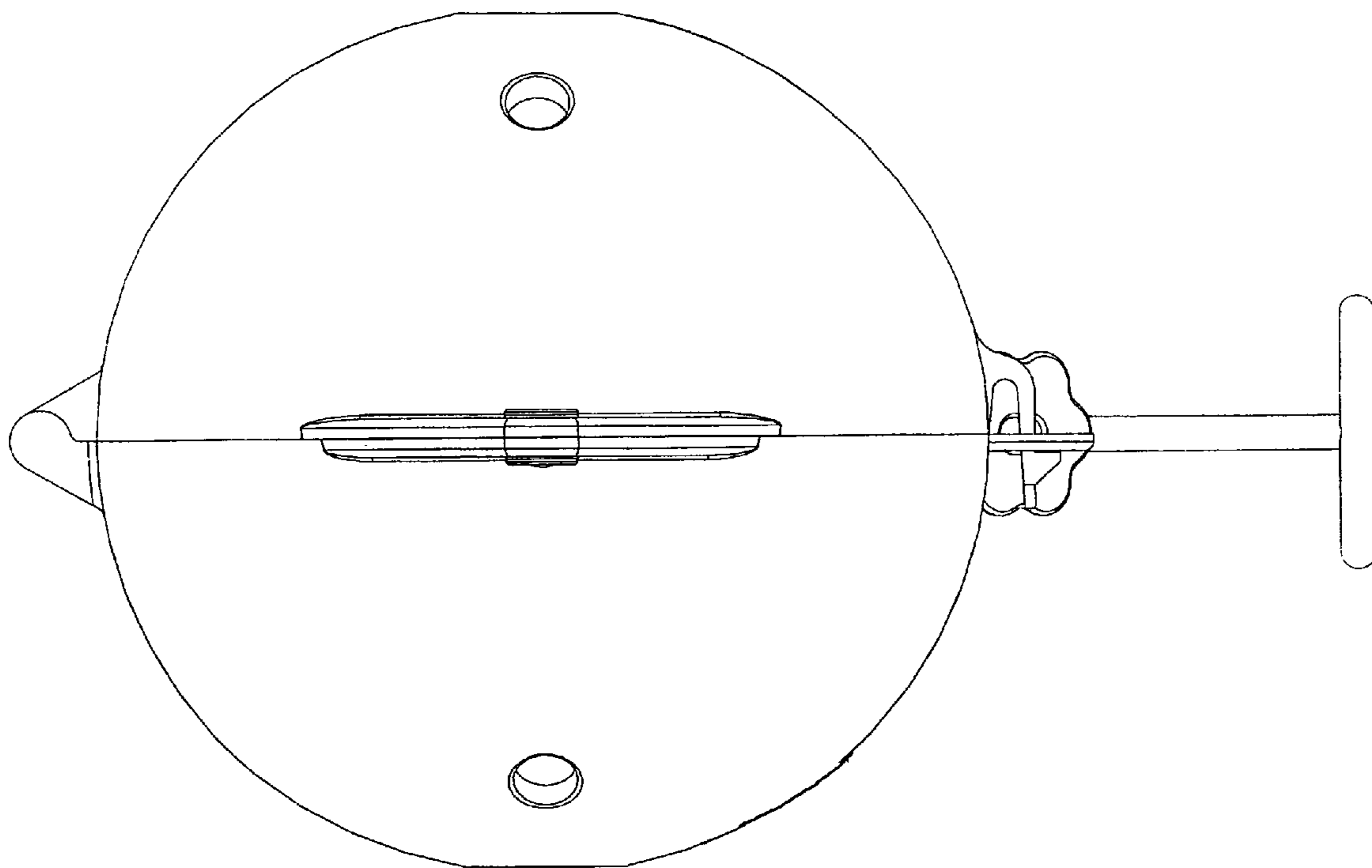


FIG. 7

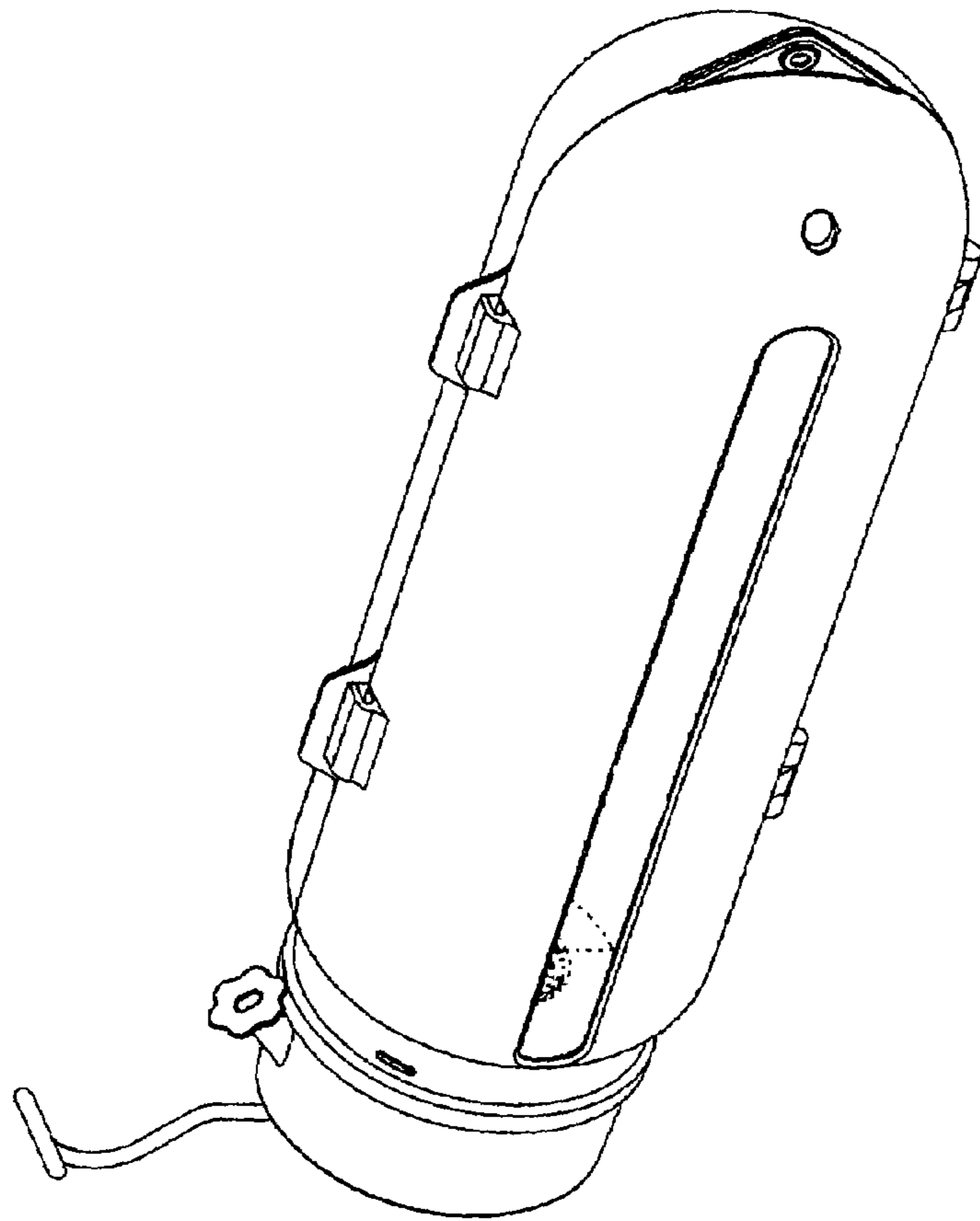


FIG. 8

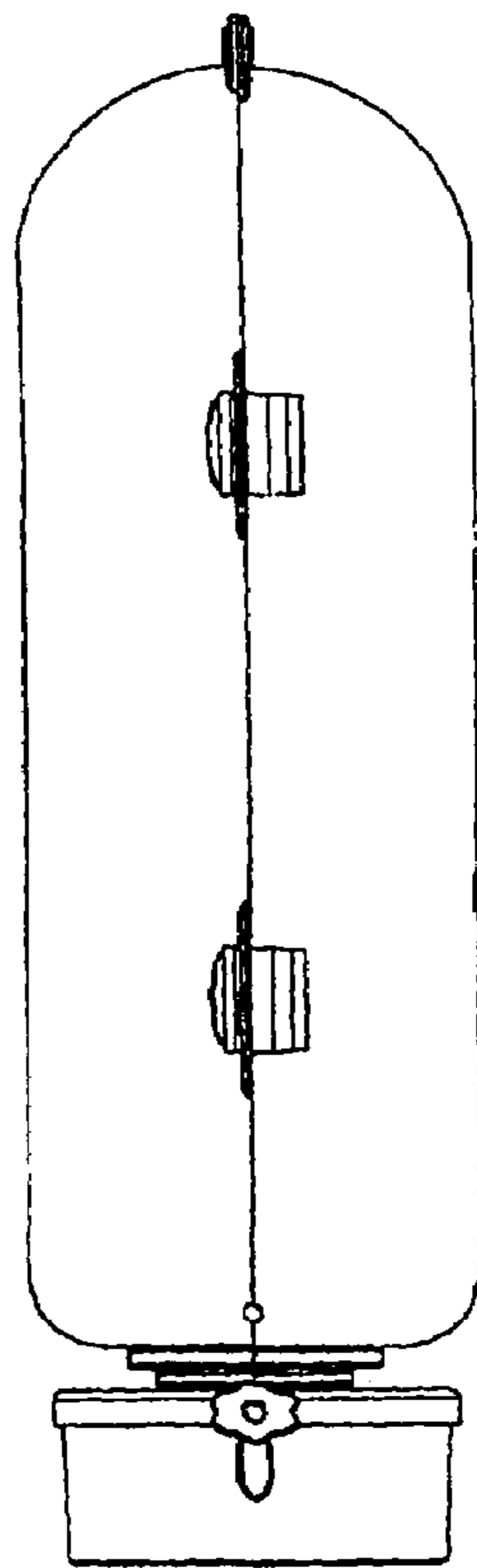


FIG. 9

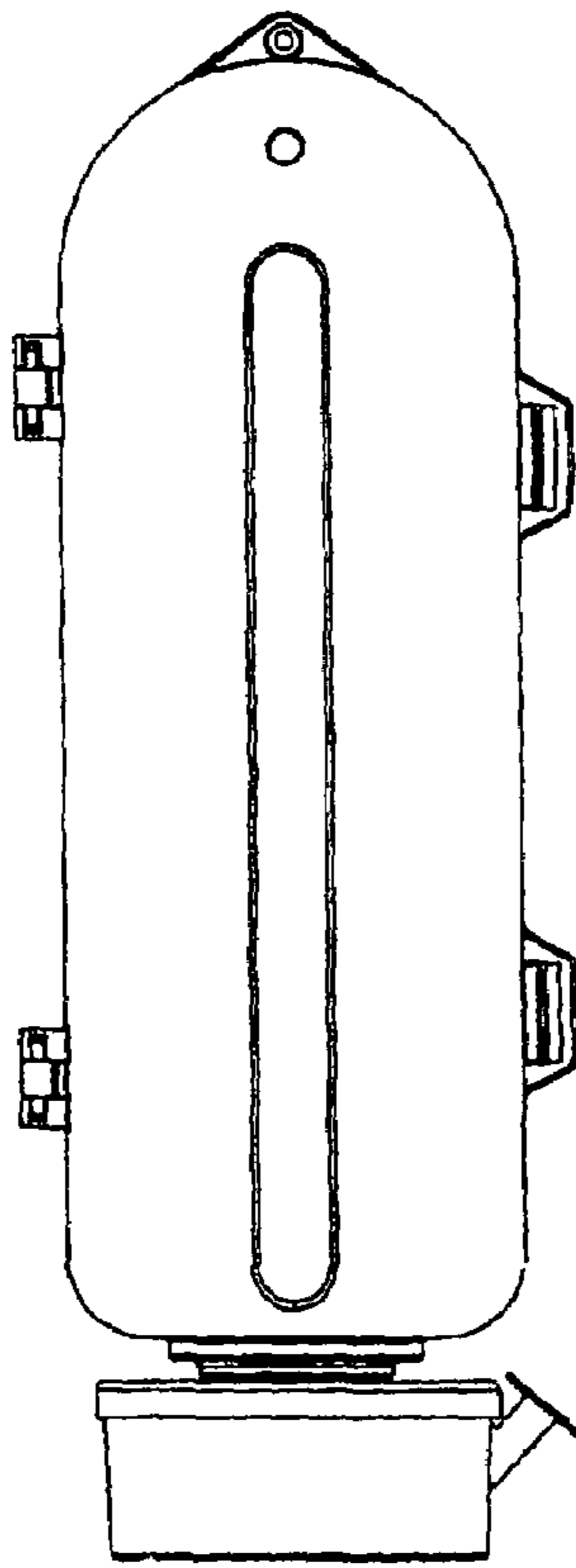


FIG. 10

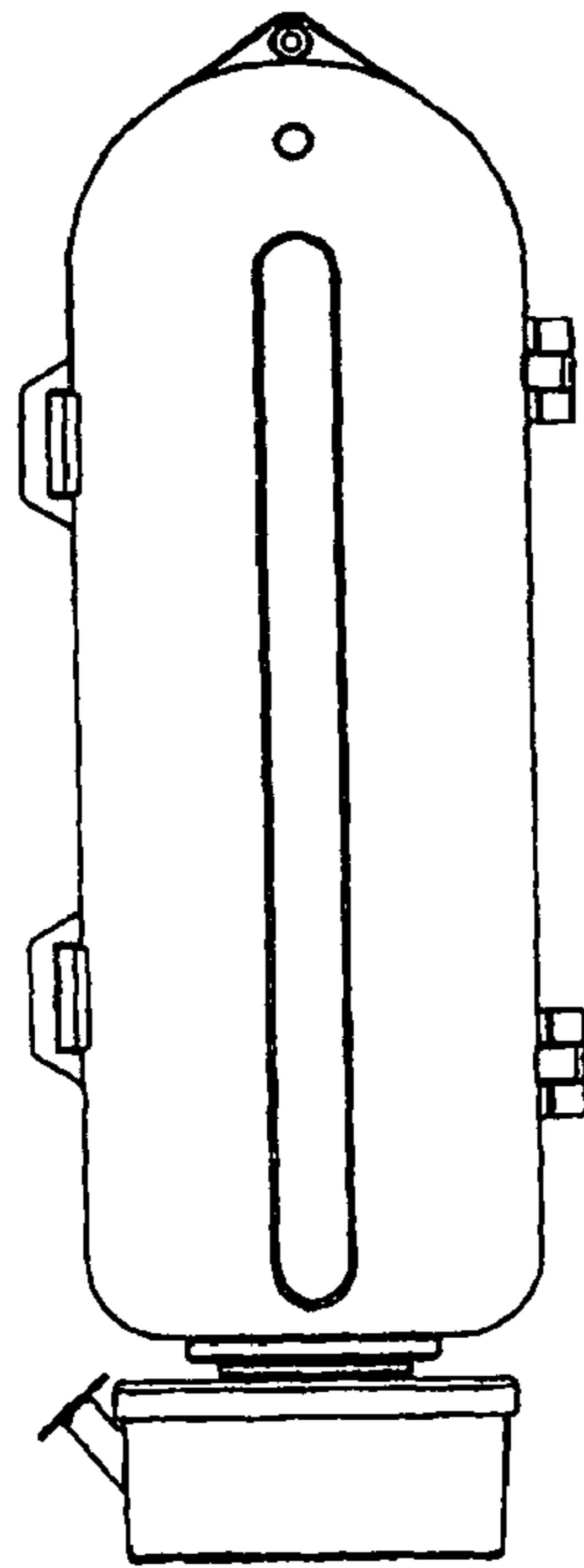


FIG. 11

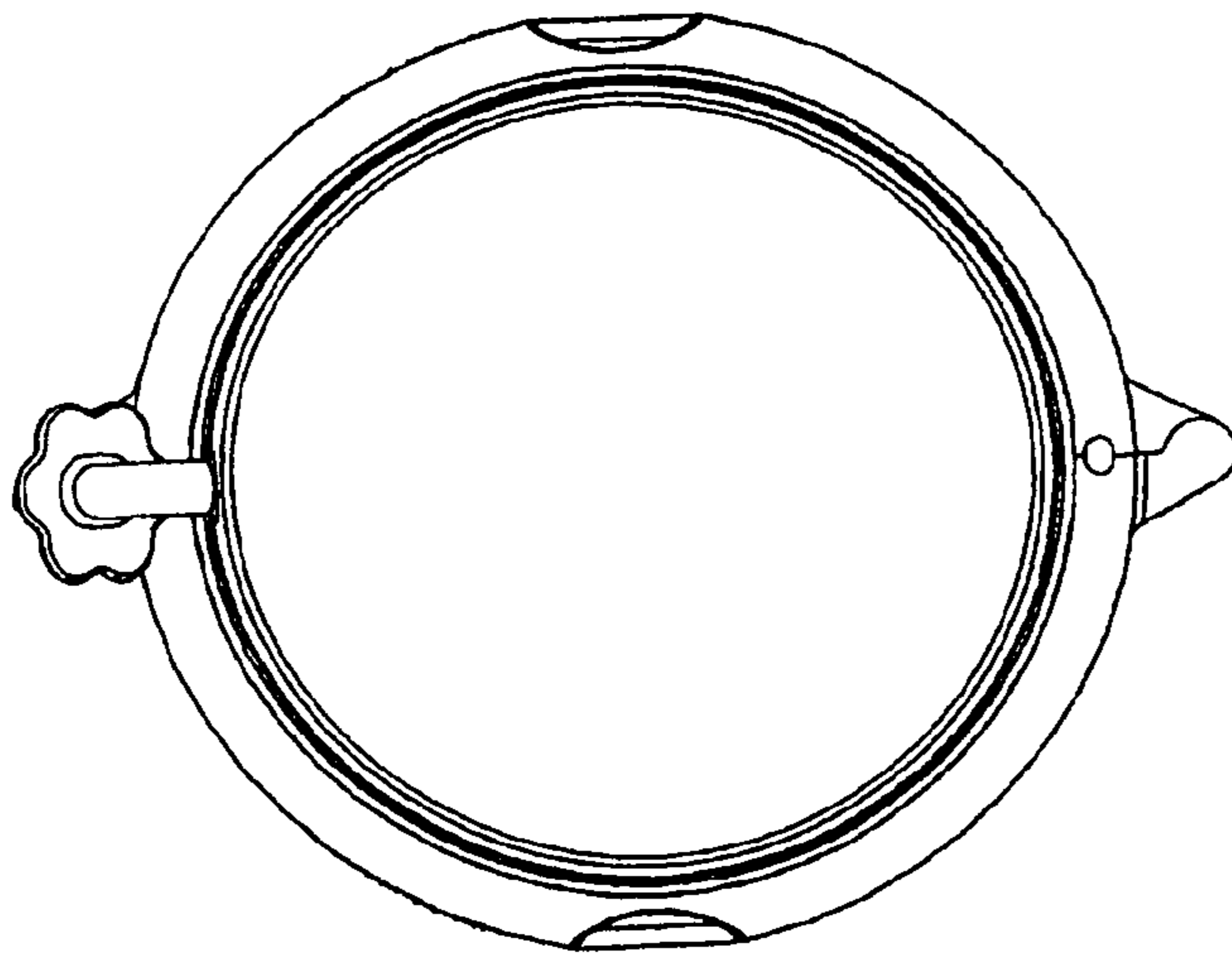


FIG. 12