



US00D609854S

(12) **United States Design Patent**
Lown et al.

(10) **Patent No.:** **US D609,854 S**

(45) **Date of Patent:** **** Feb. 9, 2010**

(54) **LIGHTING FIXTURE**

(75) Inventors: **Charles Edward Lown**, Maybrook, NY (US); **Edward Neil Conatlian**, Saugerties, NY (US); **Daniel Frederick Nesbitt**, Cincinnati, OH (US)

(73) Assignee: **LSI Industries, Inc.**, Cincinnati, OH (US)

(**) Term: **14 Years**

(21) Appl. No.: **29/304,480**

(22) Filed: **Mar. 3, 2008**

(51) **LOC (9) Cl.** **26-99**

(52) **U.S. Cl.** **D26/120**

(58) **Field of Classification Search** D26/142, D26/149, 150, 151, 152, 119, 128, 129, 130, D26/140, 141, 76, 120, 122, 118, 113, 138, D26/74, 121, 77, 60, 75, 78, 80, 81, 82, 83, D26/85, 86, 88, 89, 90, 26, 35; 362/342, 362/600, 601, 605, 606, 607, 608, 632, 633, 362/558, 572, 573, 576, 145, 147, 217.01–217.05, 362/217.08, 217.09–217.11, 217.14, 217.15, 362/246, 248, 279, 290, 325, 354, 355, 364, 362/366; D6/580, 300, 492, 579; D25/103, D25/124, 122, 123, 125, 106, 109, 110, 138
See application file for complete search history.

(56) **References Cited**

U.S. PATENT DOCUMENTS

4,277,820	A *	7/1981	Bostonian	362/223
5,988,829	A *	11/1999	Holder	362/223
D496,121	S *	9/2004	Santoro	D26/74
D541,467	S	4/2007	Gould		
D541,468	S	4/2007	Mayfield, III et al.		
D544,633	S	6/2007	Mayfield, III et al.		
D544,634	S	6/2007	Mayfield, III et al.		

D544,992	S	6/2007	Mayfield, III et al.
D544,993	S	6/2007	Mayfield, III et al.
D545,481	S	6/2007	Mayfield, III et al.
D545,482	S	6/2007	Mayfield, III et al.

(Continued)

OTHER PUBLICATIONS

LSI Industries, Inc. "High Efficiency, Expansive Cavity Recessed", ASC Series, 2 pages (Dec. 2007) (first publically available or published before Dec. 2004).

(Continued)

Primary Examiner—Cathron C Brooks

Assistant Examiner—Kevin K Rudzinski

(74) *Attorney, Agent, or Firm*—Hasse & Nesbitt LLC; Daniel F. Nesbitt

(57) **CLAIM**

The ornamental design for a lighting fixture, as shown and described.

DESCRIPTION

FIG. 1 shows a bottom perspective view of a lighting fixture of the invention.

FIG. 2 shows a cross section elevation view of the lighting fixture, taken through line 2—2 of FIG. 1.

FIG. 3 shows a bottom view of the lighting fixture of FIG. 1.

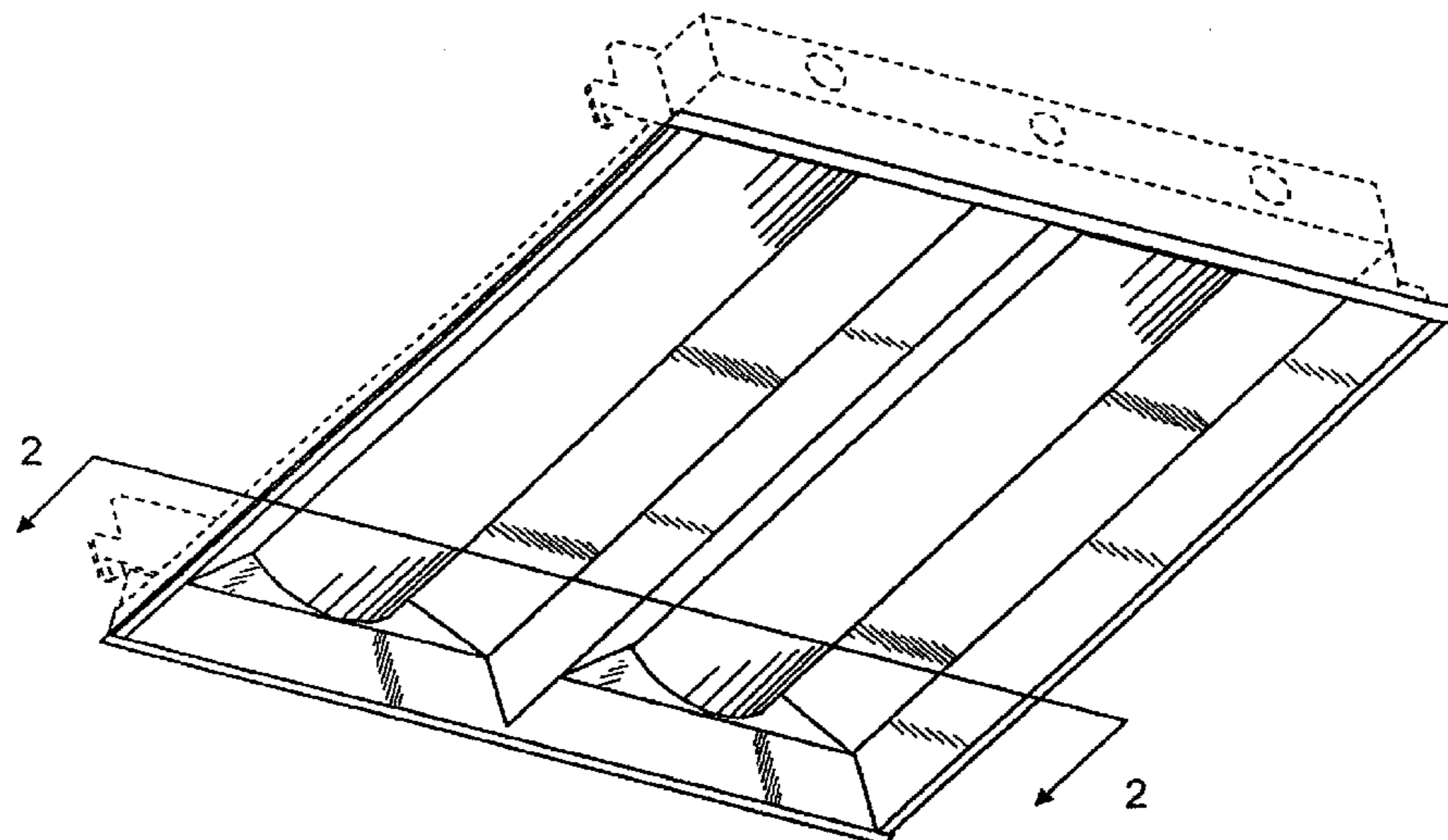
FIG. 4 shows a front elevation view of the lighting fixture, where the rear elevation view is identical thereto.

FIG. 5 shows a right side elevation view of the lighting fixture, where the left side elevation view is identical thereto; and,

FIG. 6 shows a top view of the lighting fixture.

The broken lines are for illustration purposes only and form no part of the claimed design.

1 Claim, 3 Drawing Sheets



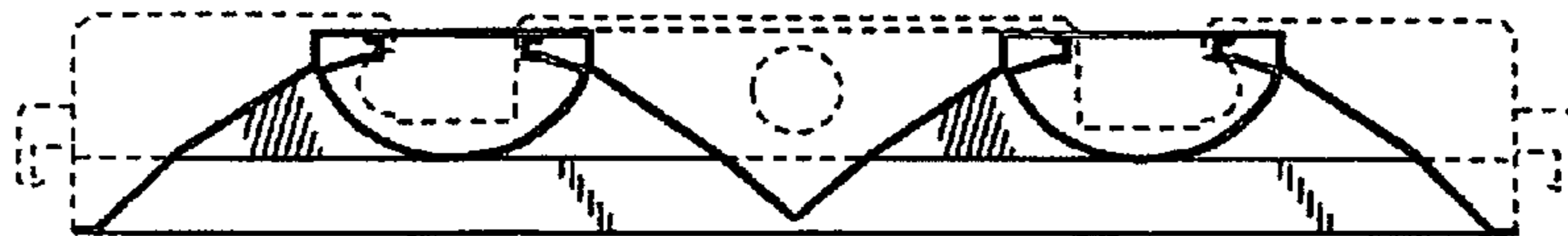
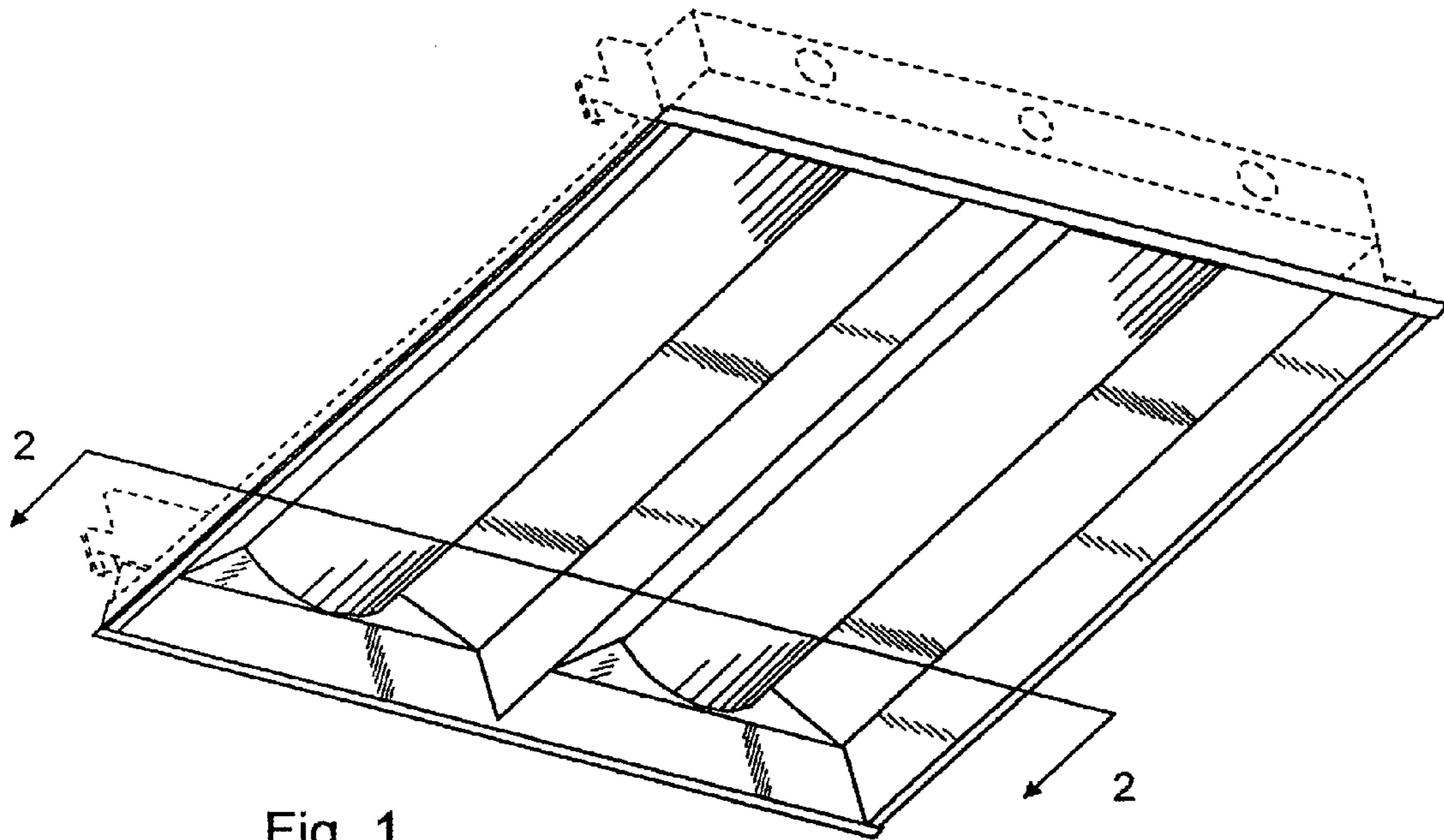
U.S. PATENT DOCUMENTS

D545,483 S 6/2007 Mayfield, III et al.
7,229,192 B2 6/2007 Mayfield, III et al.
D545,991 S * 7/2007 Mayfield et al. D26/118
D545,992 S 7/2007 Mayfield, III et al.
D545,993 S 7/2007 Mayfield, III et al.
7,261,435 B2 * 8/2007 Gould et al. 362/223
D553,781 S * 10/2007 Pickard et al. D26/74
7,296,910 B2 11/2007 Mayfield, III et al.
2007/0133215 A1 6/2007 Mayfield, III et al.
2007/0183148 A1 8/2007 Mayfield, III et al.
2007/0211457 A1 9/2007 Mayfield, III et al.
2008/0019126 A1 1/2008 Straton et al.

OTHER PUBLICATIONS

LSI Industries, Inc. "Recessed Direct/Indirect-Center Distribution (1x4, 2x4)", LLC, www.lsiindustries.com, 2 pages (Dec. 2007) (first publically available or published before Dec. 2004).
LSI Industries, Inc. "Recessed Direct/Indirect-Center Distribution (2x2)", LLC, www.lsiindustries.com, 2 pages (Dec. 2007) (first publically available or published before Dec. 2004).
LSI Industries, Inc. "Surface Direct/Indirect-Center Distribution (2x4)", LLC, www.lsiindustries.com, 2 pages (Dec. 2007) (first publically available or published before Dec. 2004).
LSI Industries, Inc. "Surface Direct/Indirect-Side Distribution (1x4, 2x4)", LLC, www.lsiindustries.com, 2 pages (Dec. 2007) (first publically available or published before Dec. 2004).
Attune Brochure, "unifying light and life", Day-Brite® Lighting, Form # 147.0106.CT.5M, 20 pages (first publically available or published before Nov. 2006).

* cited by examiner



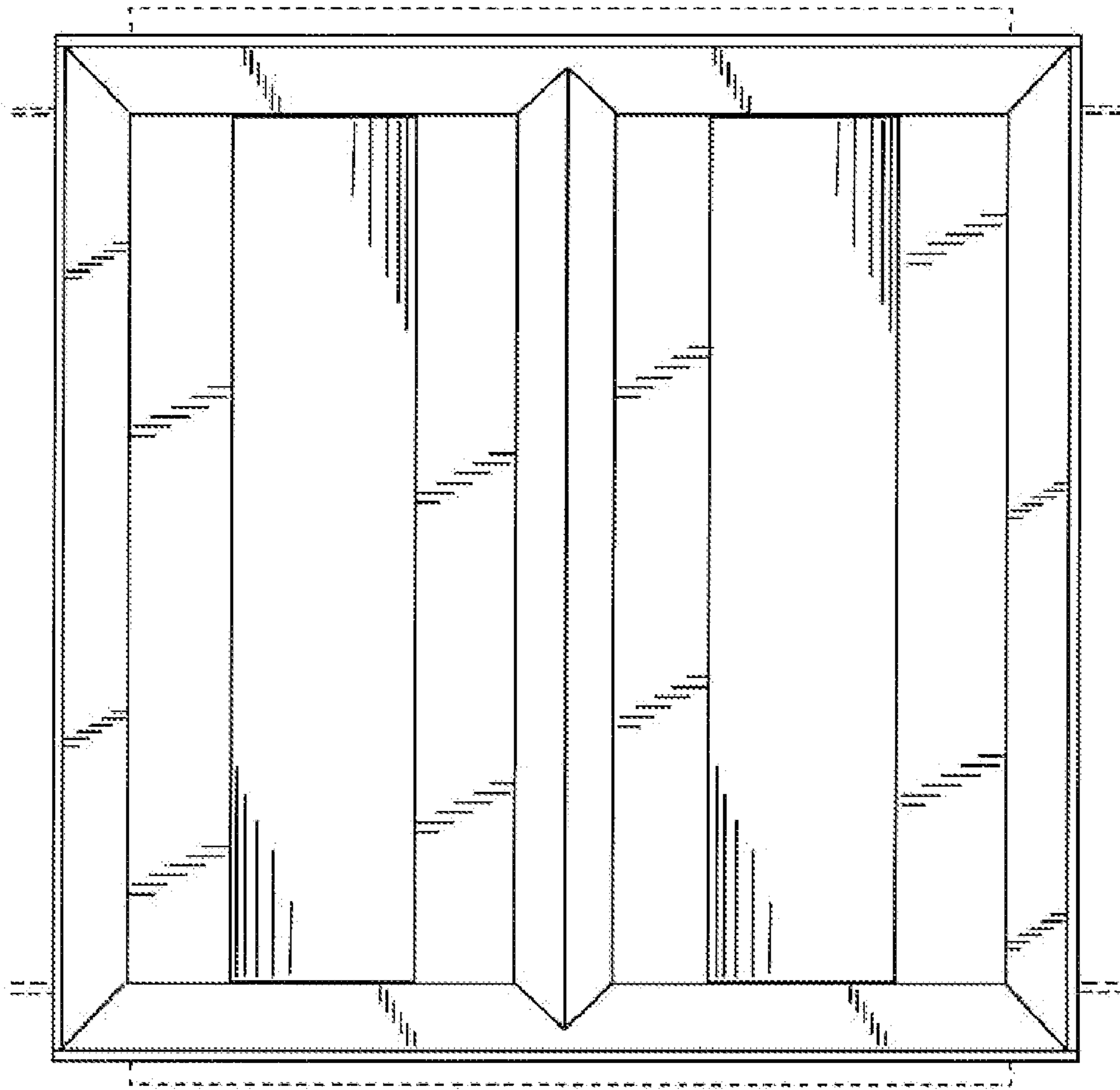


Fig. 3

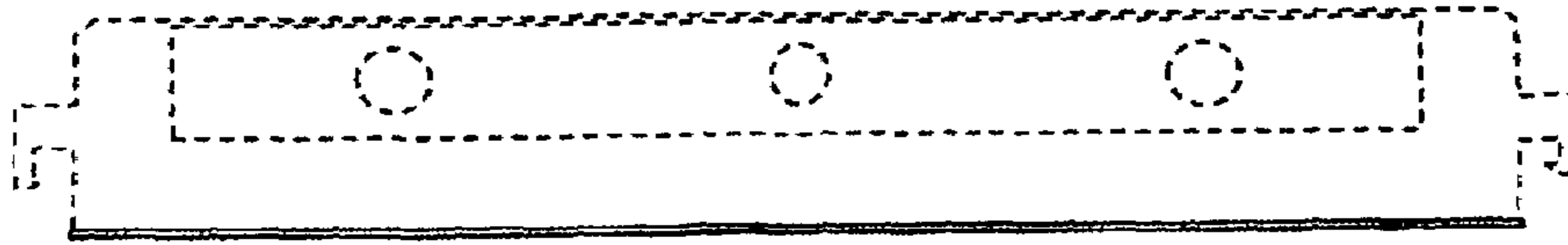


Fig. 4

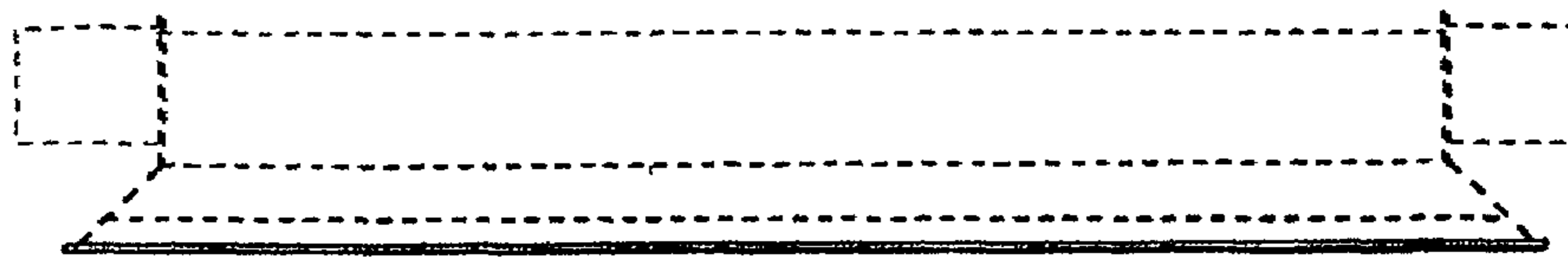


Fig. 5

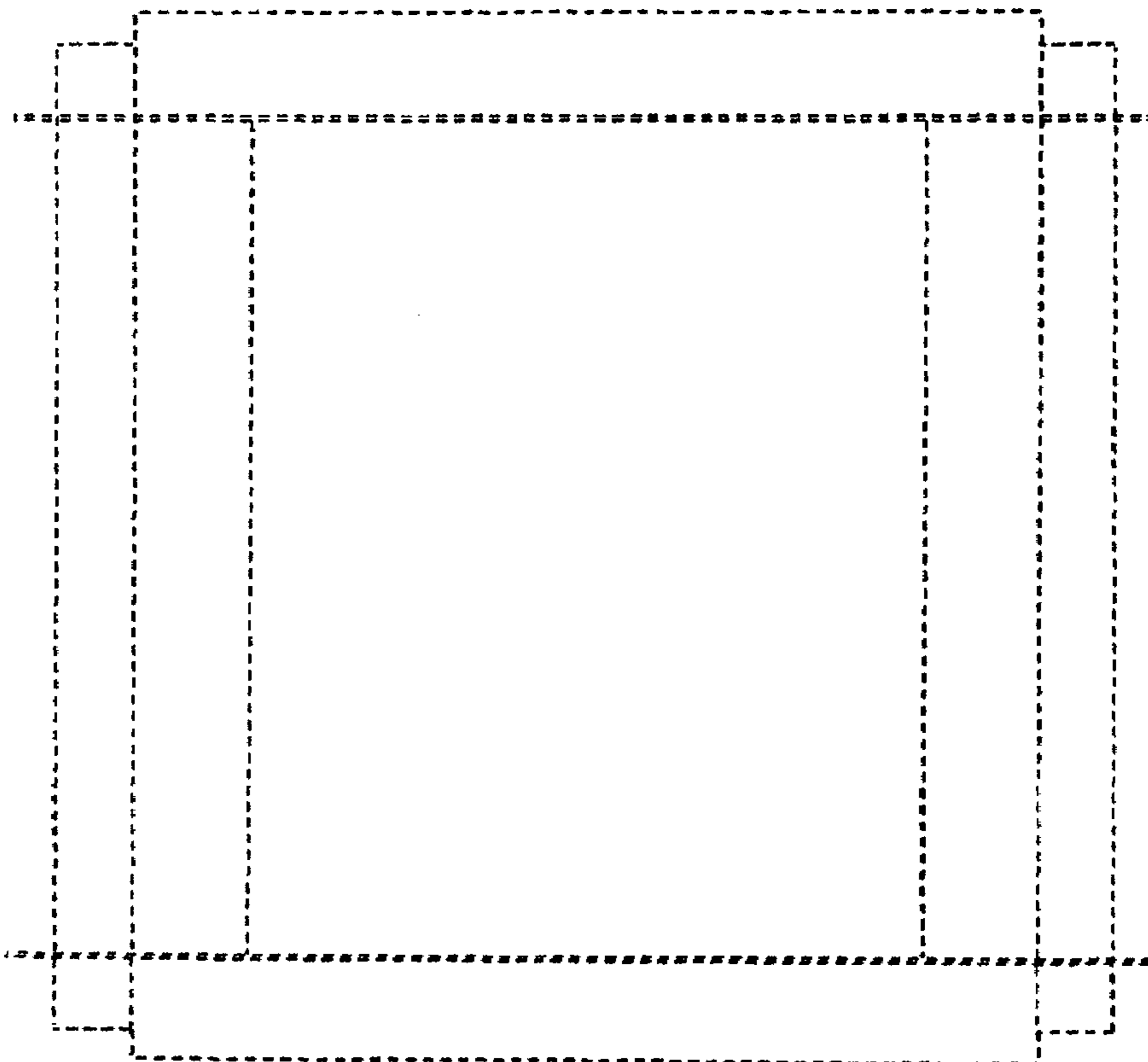


Fig. 6

UNITED STATES PATENT AND TRADEMARK OFFICE
CERTIFICATE OF CORRECTION

PATENT NO. : Des. 609,854 S
APPLICATION NO. : 29/304480
DATED : February 9, 2010
INVENTOR(S) : Charles Edward Lown, Edward Neil Conathan and Daniel Frederick Nesbitt

Page 1 of 1

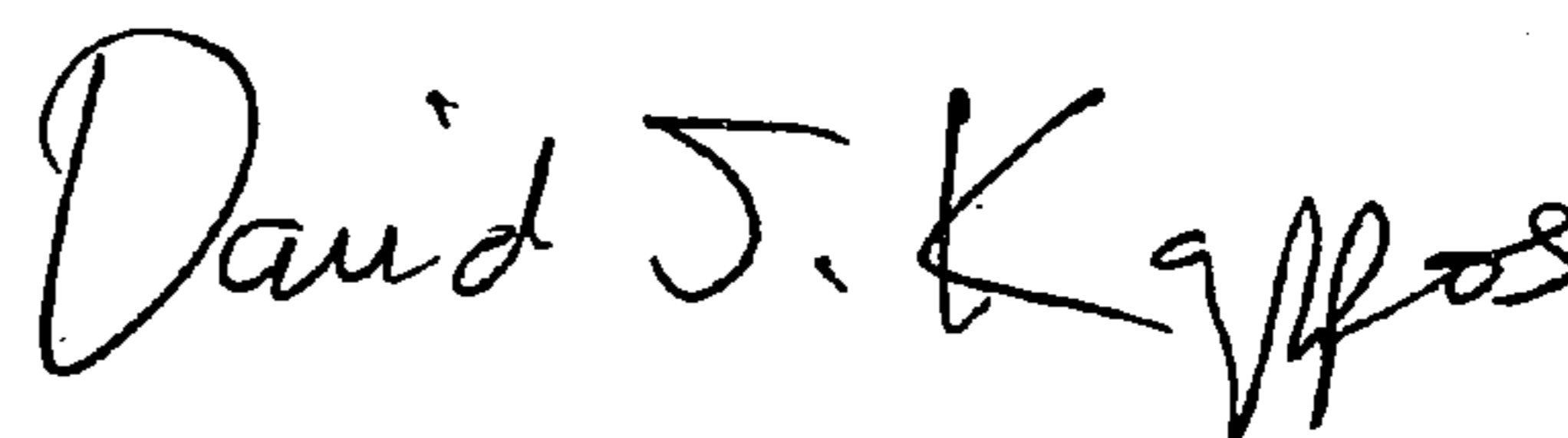
It is certified that error appears in the above-identified patent and that said Letters Patent is hereby corrected as shown below:

Title Page

(75) Inventors:, delete "Edward Neil Conatiian" and insert --Edward Neil Conathan--.

Signed and Sealed this

Thirtieth Day of March, 2010



David J. Kappos
Director of the United States Patent and Trademark Office