



US00D609853S

(12) **United States Design Patent**
Salatto-Rose

(10) **Patent No.:** **US D609,853 S**

(45) **Date of Patent:** **** Feb. 9, 2010**

(54) **LAMP**

D523,164 S * 6/2006 Ng D26/65
D571,943 S * 6/2008 Tragatschnig D26/61
D579,597 S * 10/2008 Ng D26/61

(75) Inventor: **Darlene Salatto-Rose**, Hickory, NC
(US)

* cited by examiner

(73) Assignee: **Robert Abbey Inc.**, Hickory, NC (US)

Primary Examiner—Brian N Vinson

(**) Term: **14 Years**

(74) *Attorney, Agent, or Firm*—Alston & Bird LLP

(21) Appl. No.: **29/340,211**

(57) **CLAIM**

(22) Filed: **Jul. 15, 2009**

The ornamental design for a lamp, as shown and described.

(51) **LOC (9) Cl.** **23-03**

DESCRIPTION

(52) **U.S. Cl.** **D26/107**

FIG. 1 is a perspective front view of a lamp showing my new design;

(58) **Field of Classification Search** D26/1,
D26/24, 67, 93-94, 101, 104-110, 113, 118;
362/3, 153, 186, 217, 255, 257, 277, 317,
362/351, 353, 362, 363, 382, 431, 433, 458,
362/806

FIG. 2 is a left side elevational view thereof;

FIG. 3 is a front elevational view thereof;

FIG. 4 is a right side elevational view thereof;

FIG. 5 is a rear elevational view thereof;

FIG. 6 is a top plan view thereof; and,

FIG. 7 is a bottom plan view thereof.

See application file for complete search history.

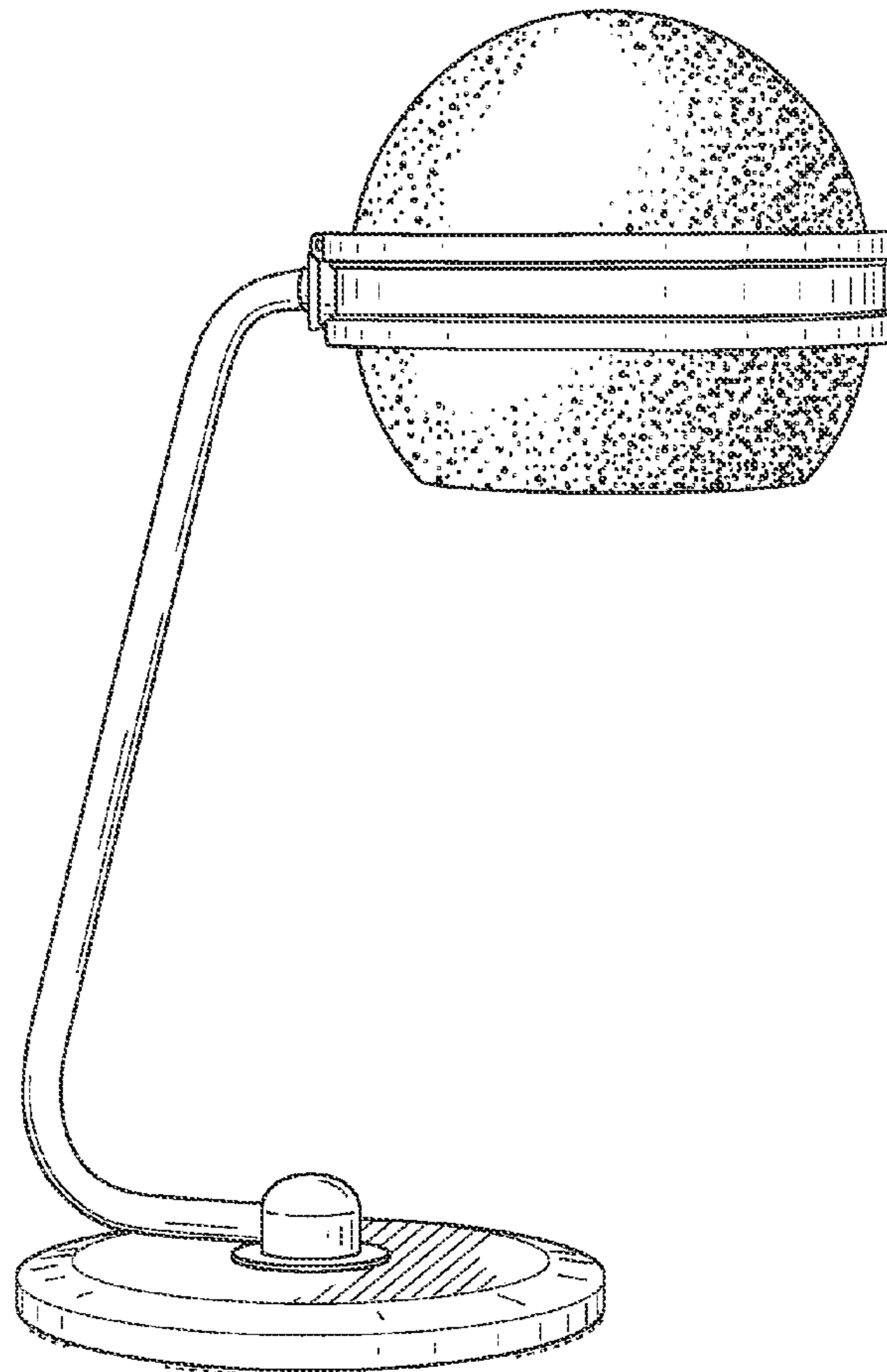
The broken line disclosure in the views is understood to represent portions of the article in which the claimed design is embodied, but which forms no part of the claimed design.

(56) **References Cited**

U.S. PATENT DOCUMENTS

D233,165 S * 10/1974 Gismondi D26/104
D310,886 S * 9/1990 Gismondi et al. D26/65
D425,651 S * 5/2000 Gager et al. D26/93
6,758,585 B1 * 7/2004 Chan D26/93

1 Claim, 4 Drawing Sheets



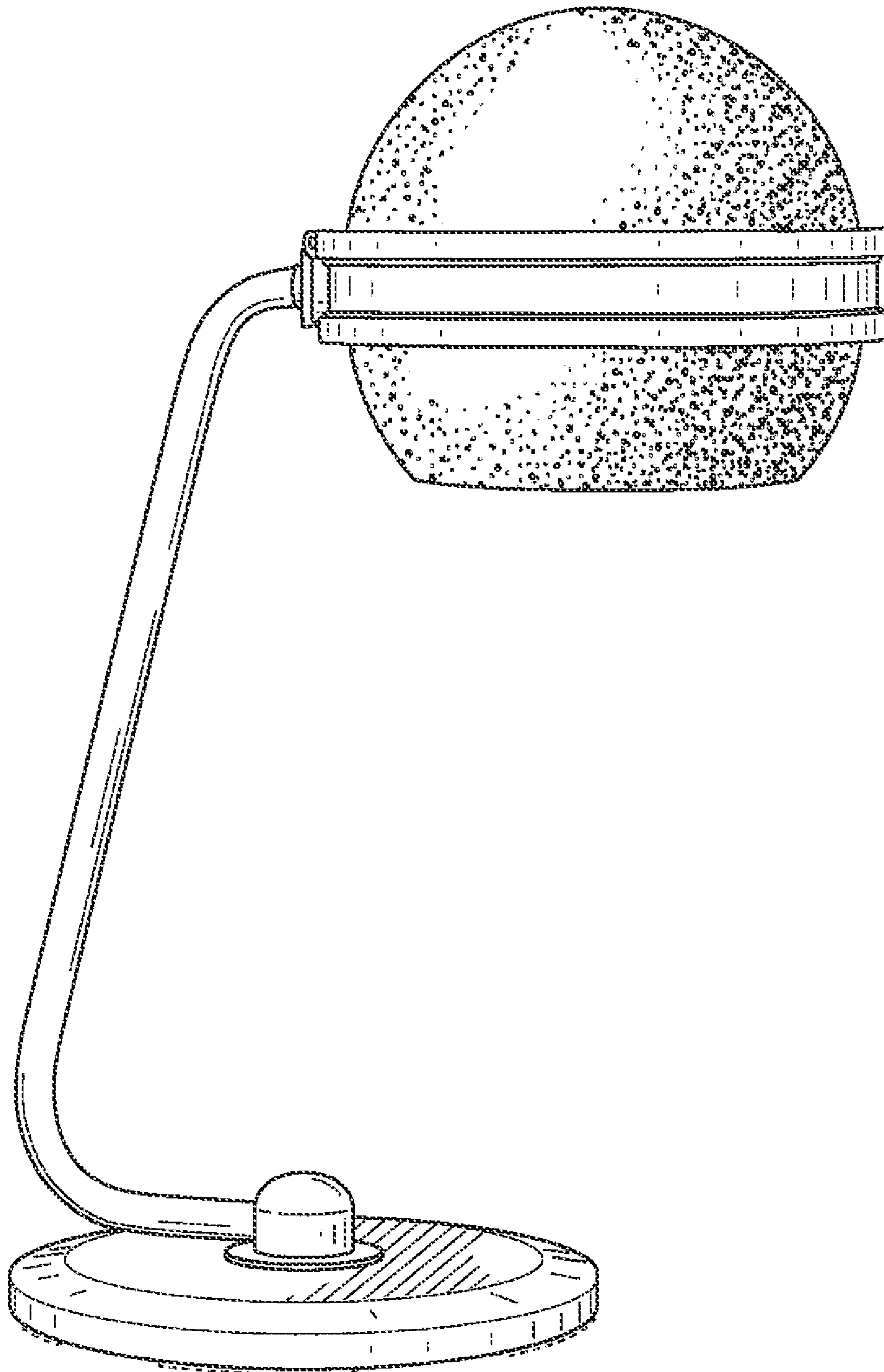


FIG. 1

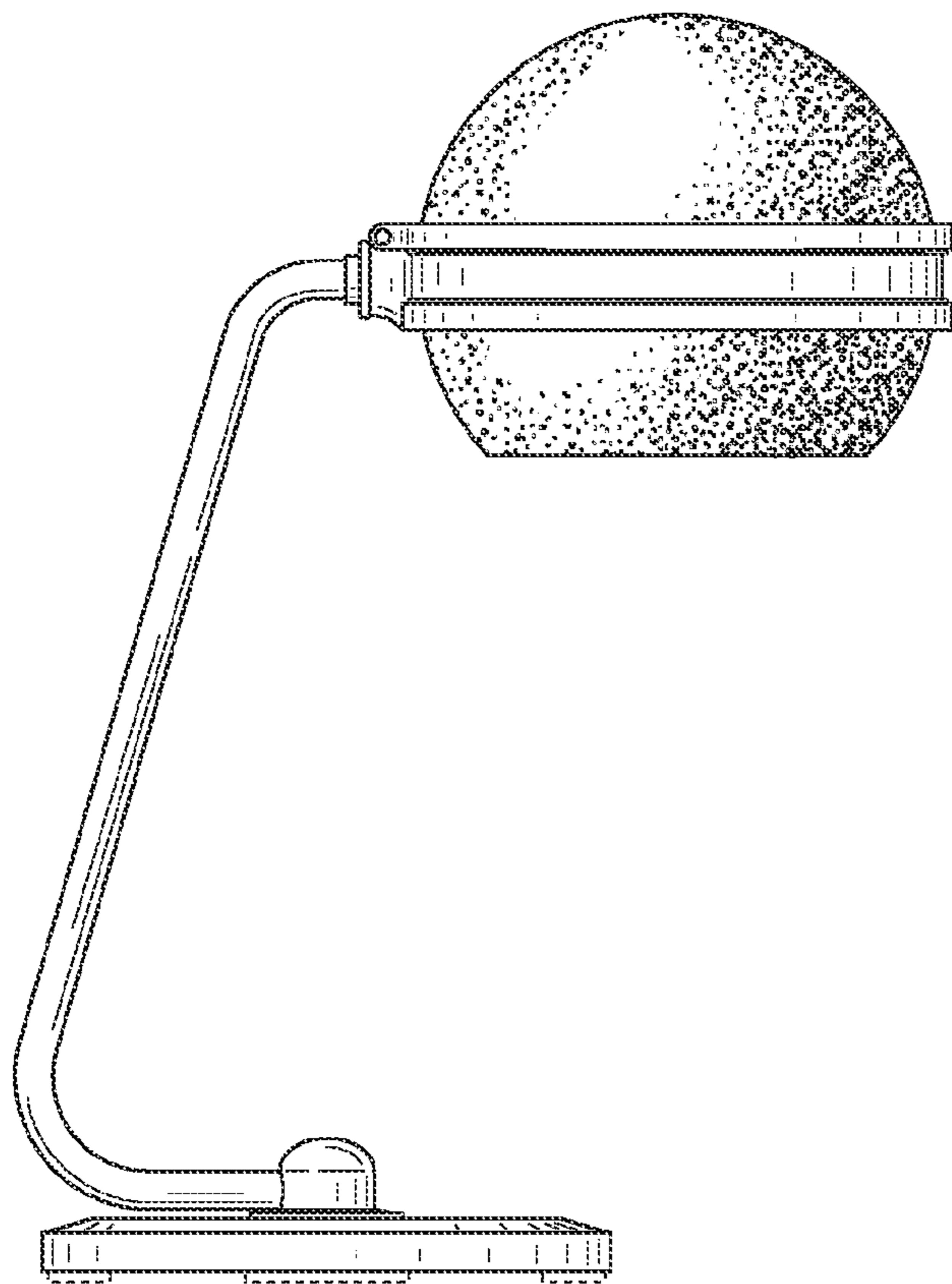


FIG. 2

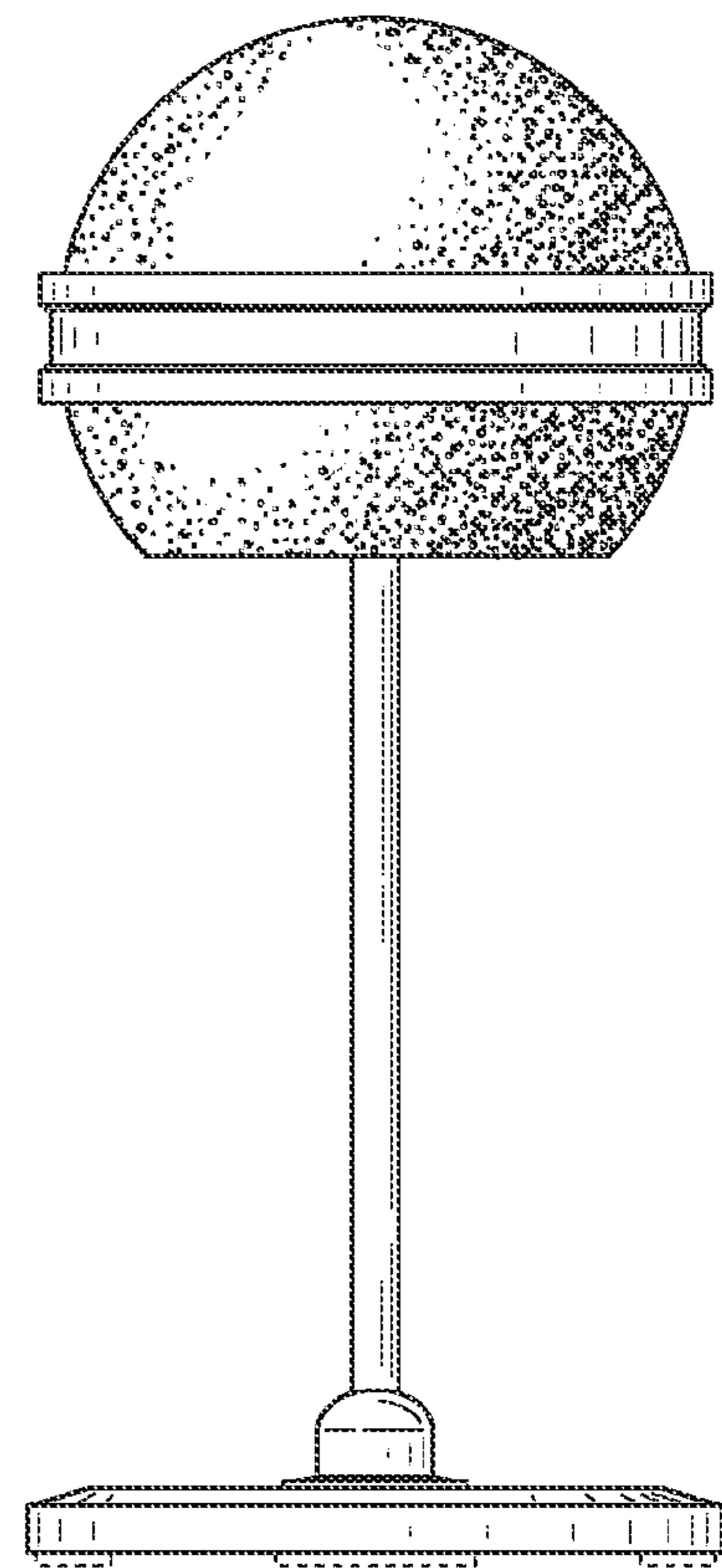


FIG. 3

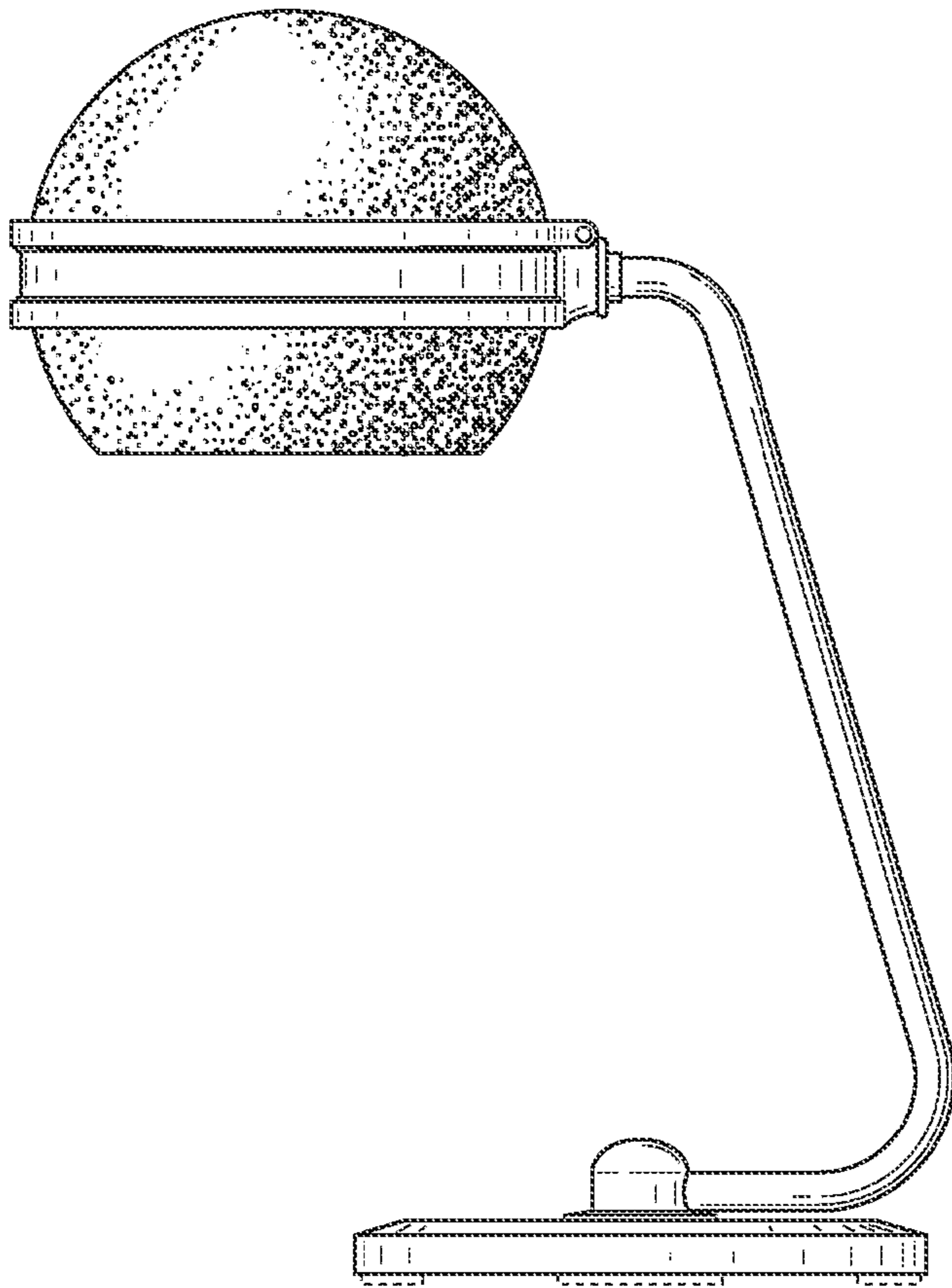


FIG. 4

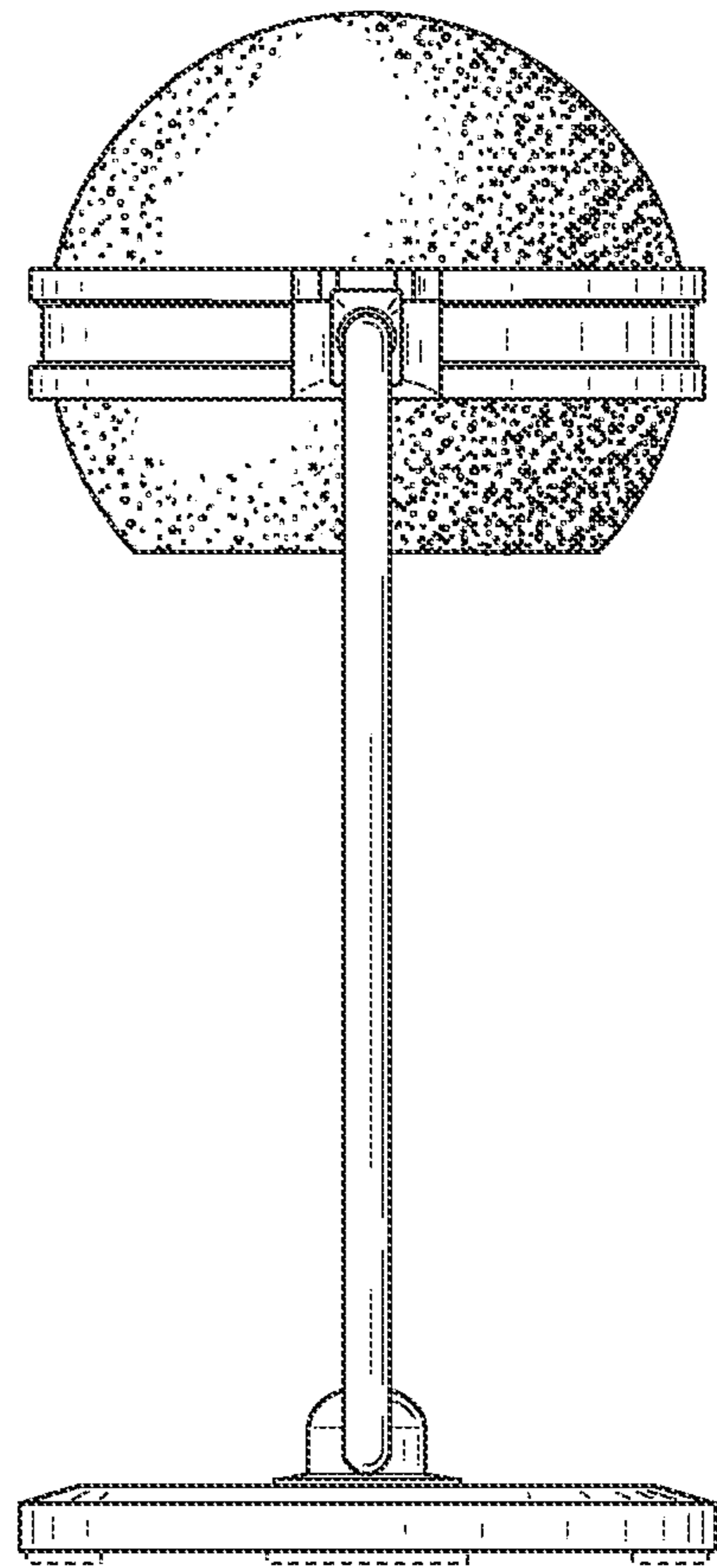


FIG. 5

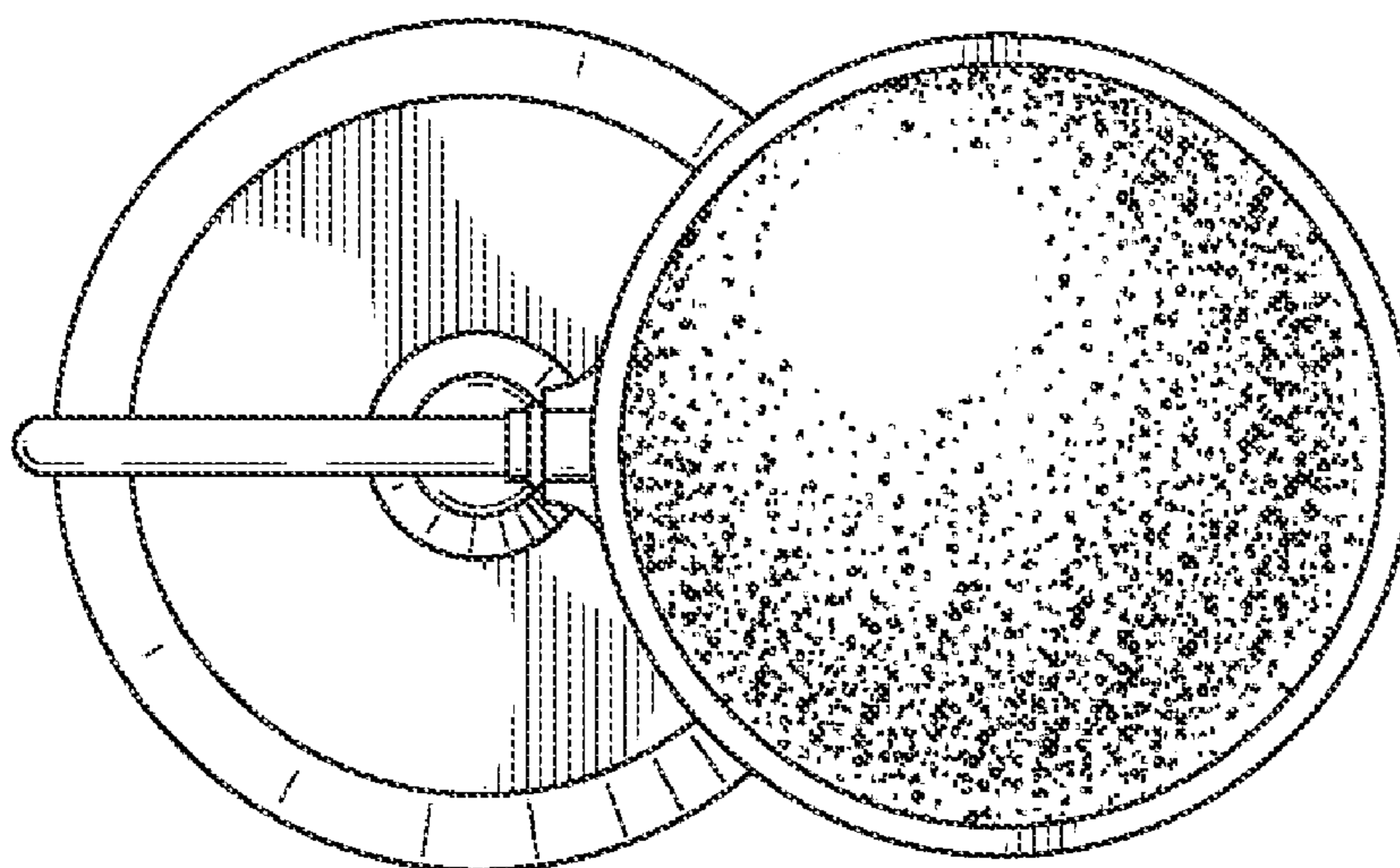


FIG. 6

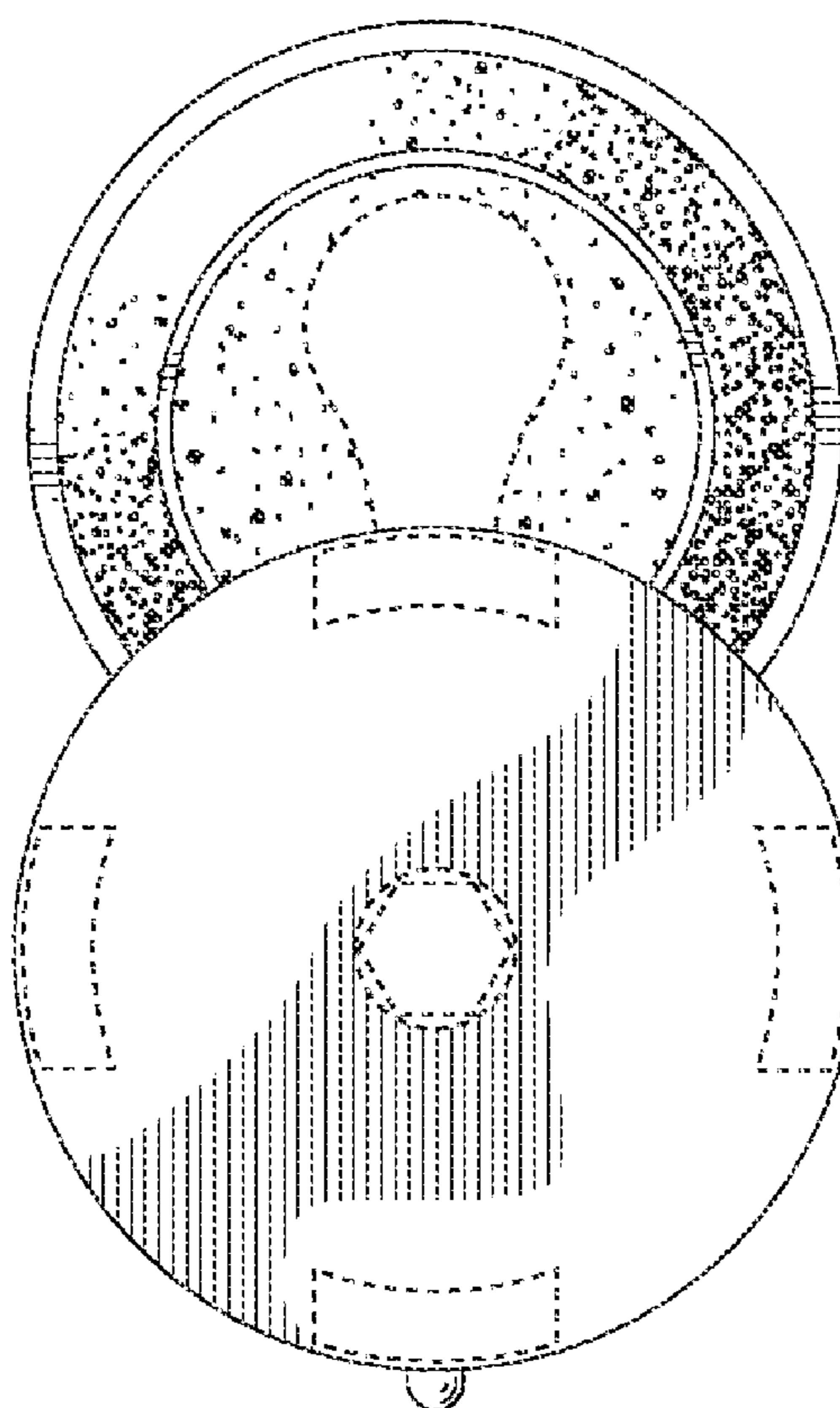


FIG. 7