

US00D609851S

(12) **United States Design Patent**
Choi

(10) **Patent No.:** **US D609,851 S**

(45) **Date of Patent:** **** Feb. 9, 2010**

(54) **SOLAR TABLE LIGHT**

D485,003 S * 1/2004 Olson D26/104

(75) Inventor: **Taiwon Choi**, Chicago, IL (US)

* cited by examiner

(73) Assignee: **American Tack & Hardware Co., Inc** NJ (US)

Primary Examiner—Brian N Vinson
(74) *Attorney, Agent, or Firm*—Hedman & Costigan, P.C.;
Kathleen A. Costigan

(**) Term: **14 Years**

(57) **CLAIM**

(21) Appl. No.: **29/337,246**

The ornamental design for a solar table light, as shown and described.

(22) Filed: **May 18, 2009**

DESCRIPTION

(51) **LOC (9) Cl.** **23-03**

(52) **U.S. Cl.** **D26/93**

(58) **Field of Classification Search** D26/1,
D26/24, 67-6, 93-94, 101, 104-110, 113,
D26/118; 362/3, 153, 186, 217, 255, 257,
362/277, 317, 351, 353, 362, 363, 382, 431,
362/433, 458, 806

See application file for complete search history.

FIG. 1 is a top, front and right side perspective view of a solar table light showing my new design;

FIG. 2 is a front elevational view thereof;

FIG. 3 is a left side elevational view thereof;

FIG. 4 is a bottom plan view thereof;

FIG. 5 is a top plan view thereof;

FIG. 6 is a rear elevational view thereof; and,

FIG. 7 is a right side elevational view thereof.

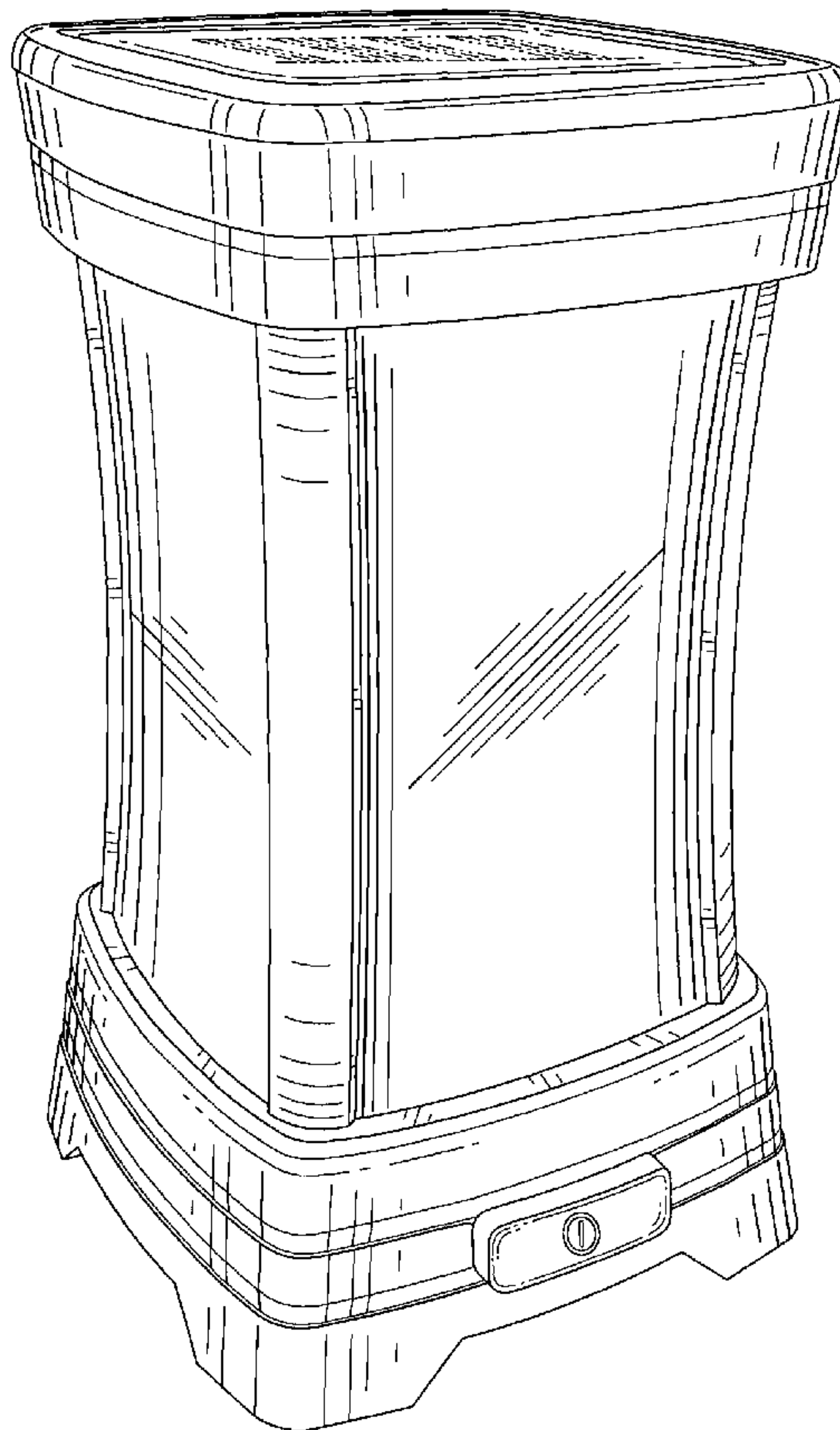
The broken-line disclosure of elements in the views are understood to be functional aspects of the article in which the design is embodied and form no part of the claimed design.

(56) **References Cited**

U.S. PATENT DOCUMENTS

- D309,786 S * 8/1990 Chien D26/67
- D309,787 S * 8/1990 Chien D26/67
- D373,000 S * 8/1996 Brady D26/68

1 Claim, 3 Drawing Sheets



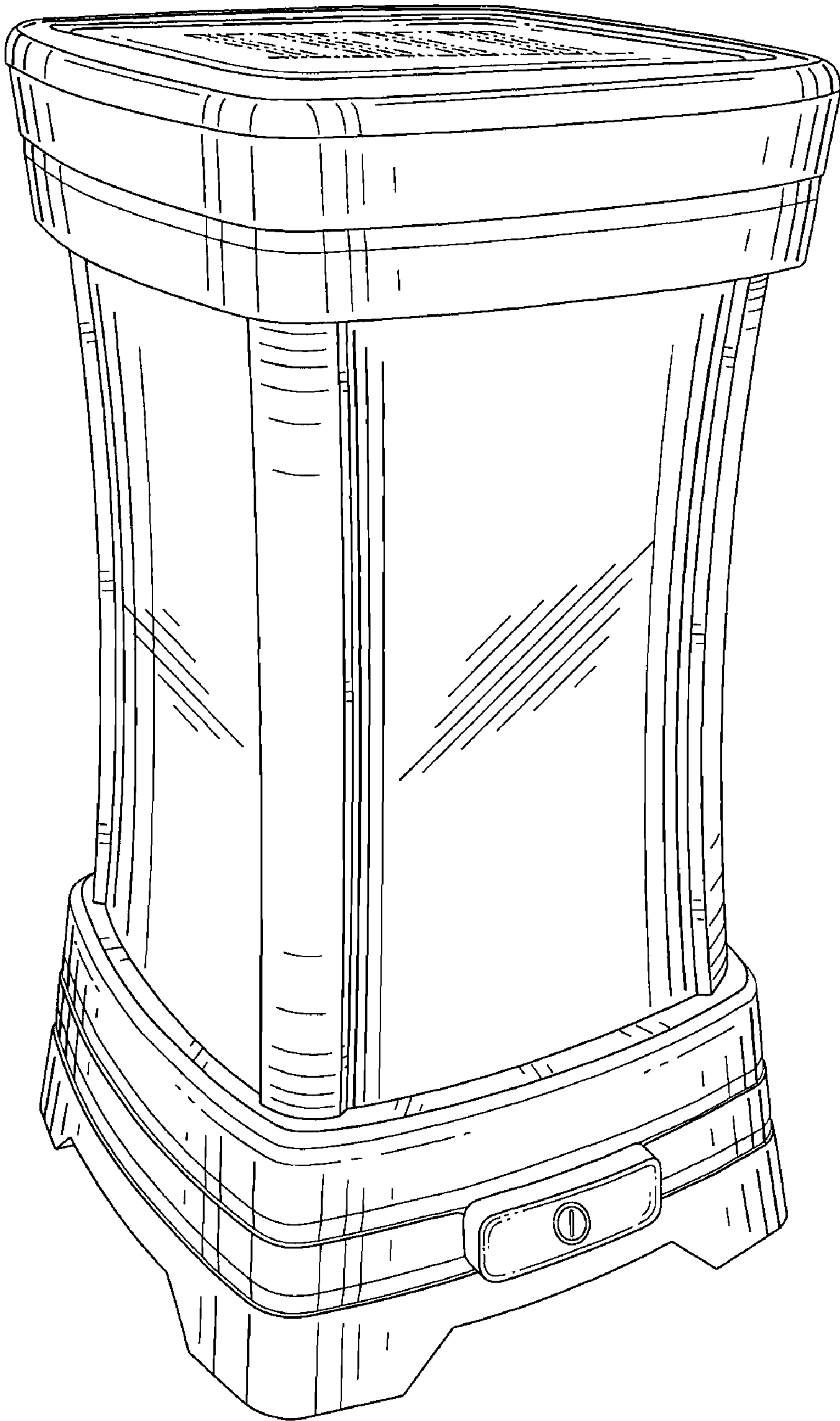


FIG. 1

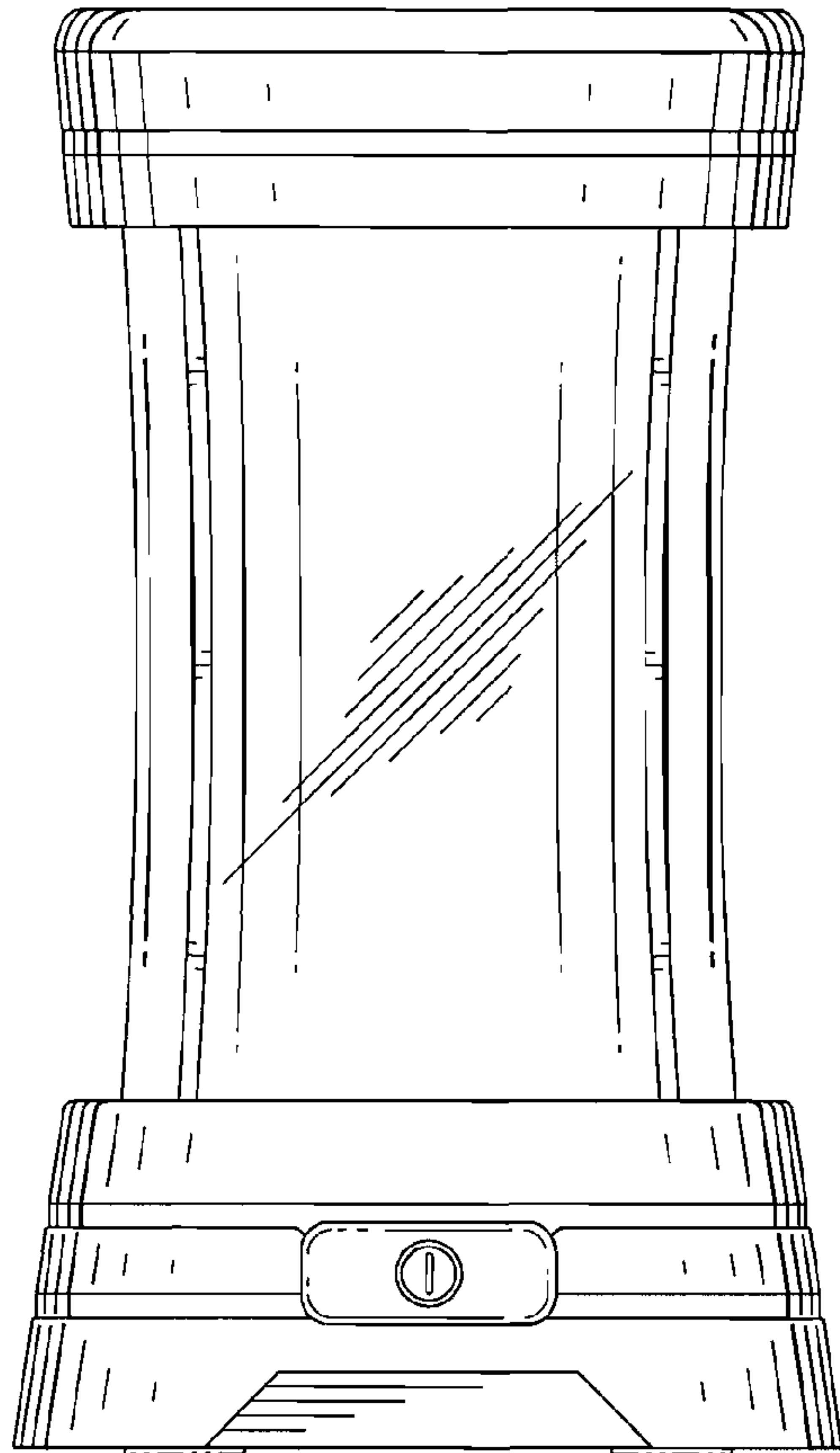


FIG. 2

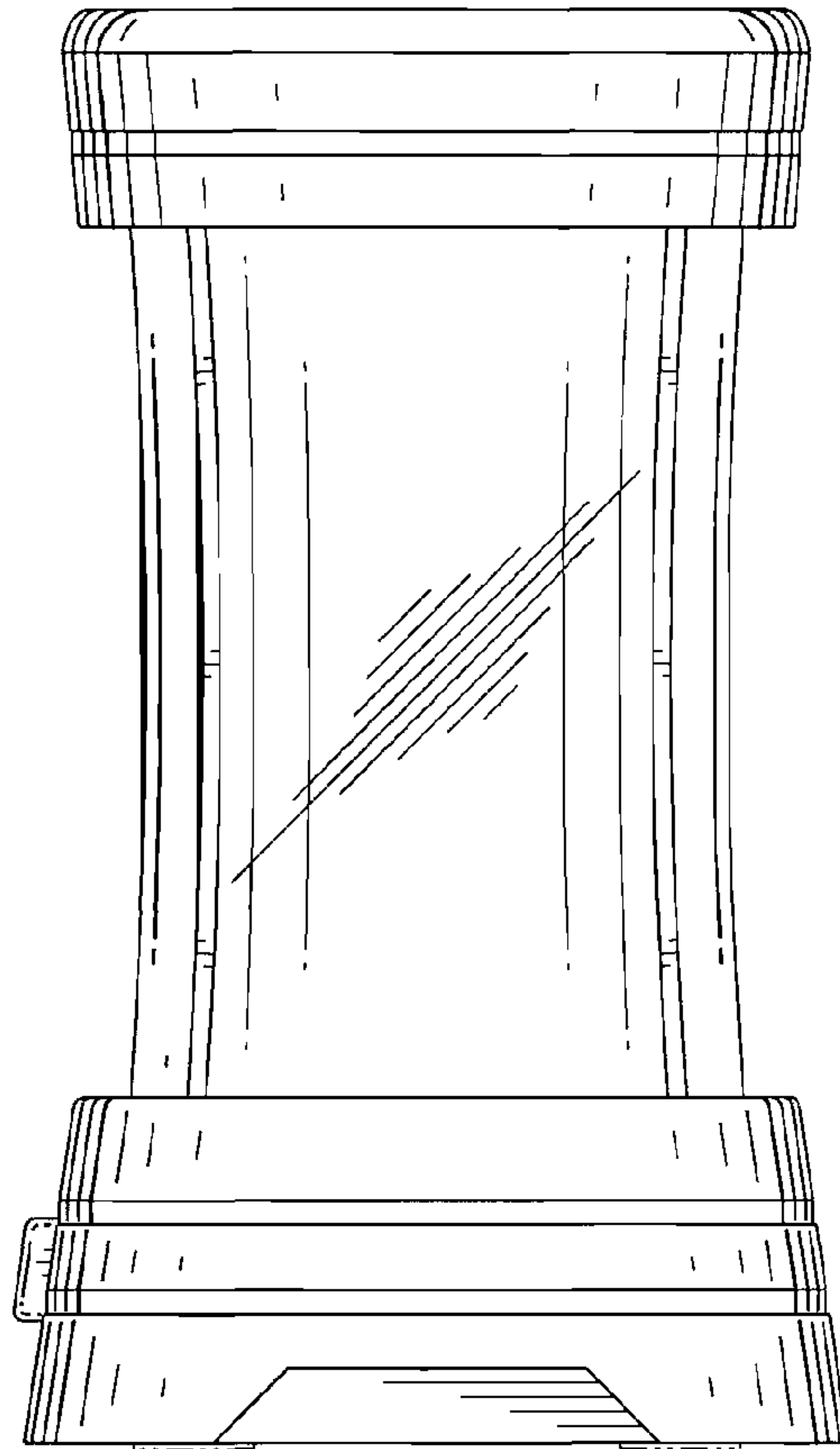


FIG. 3

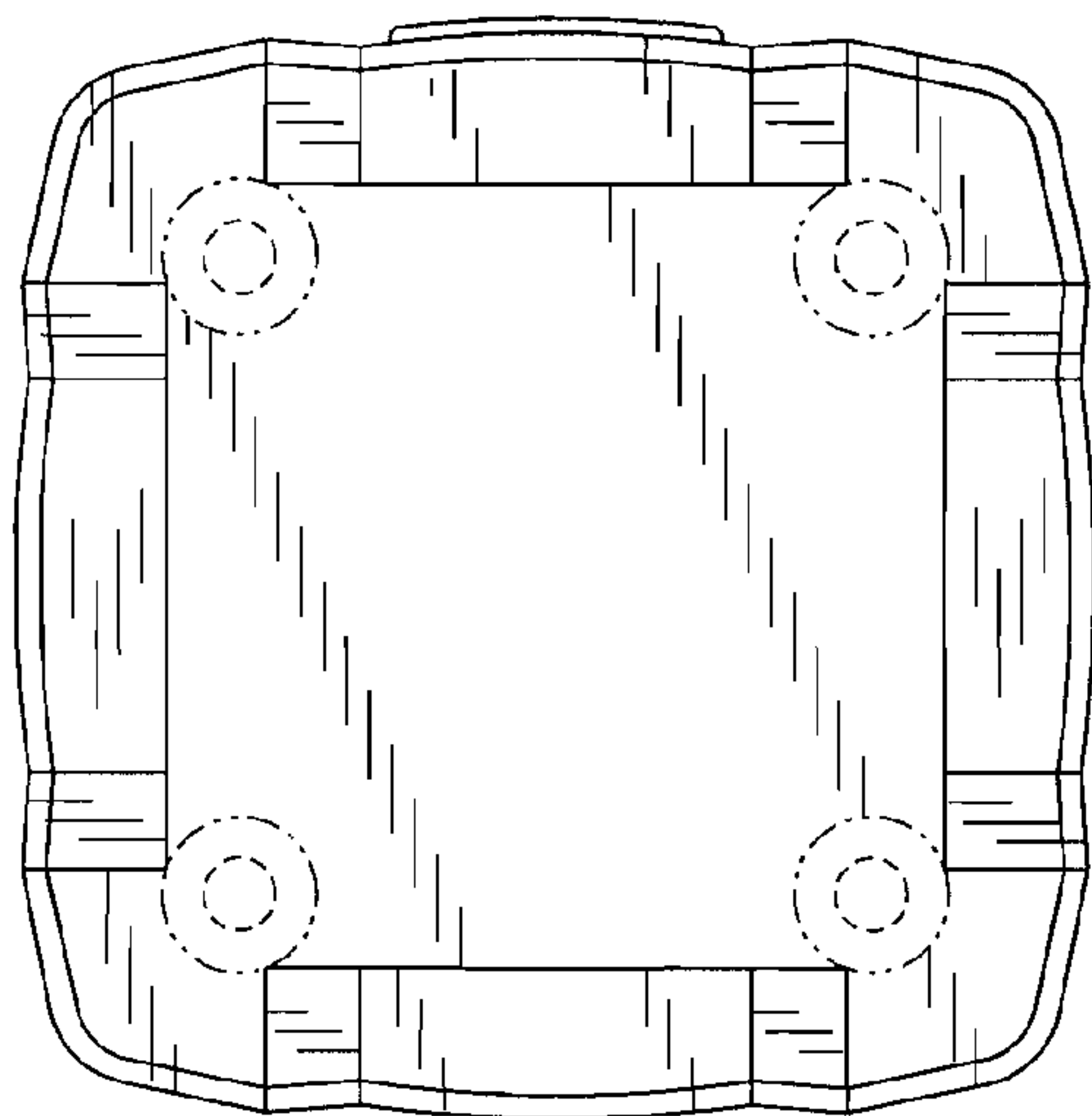


FIG. 4

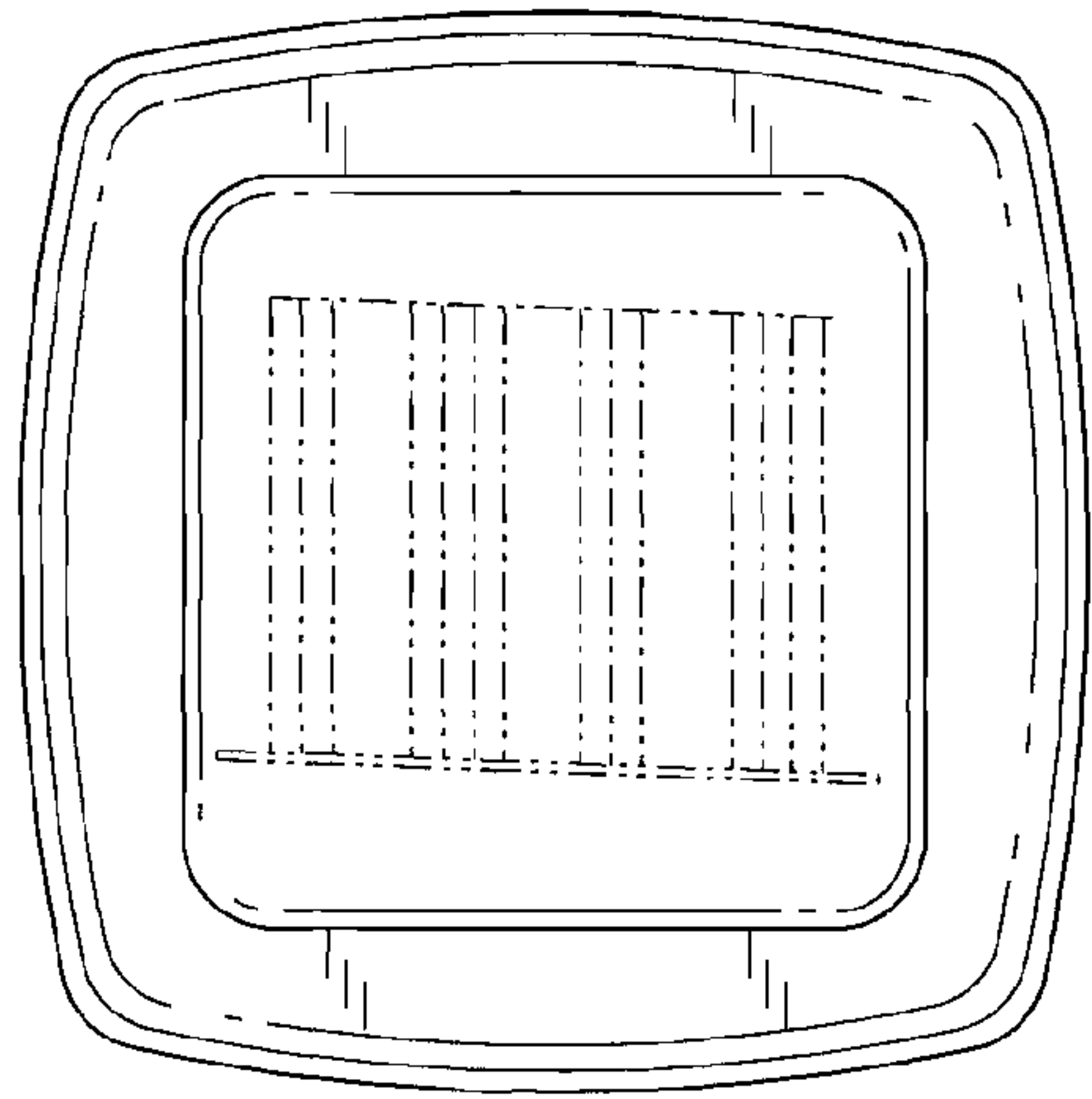


FIG. 5

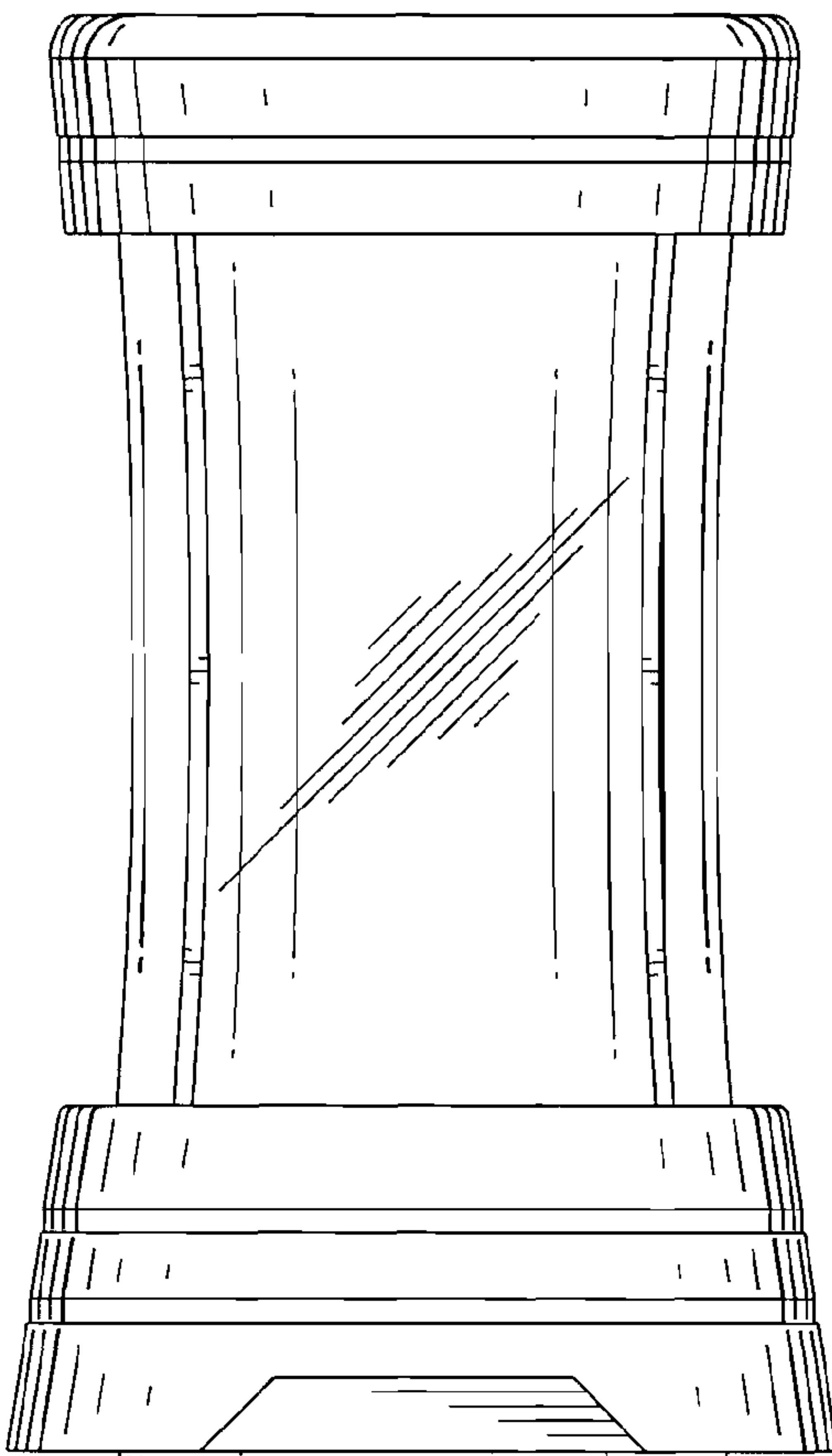


FIG. 6

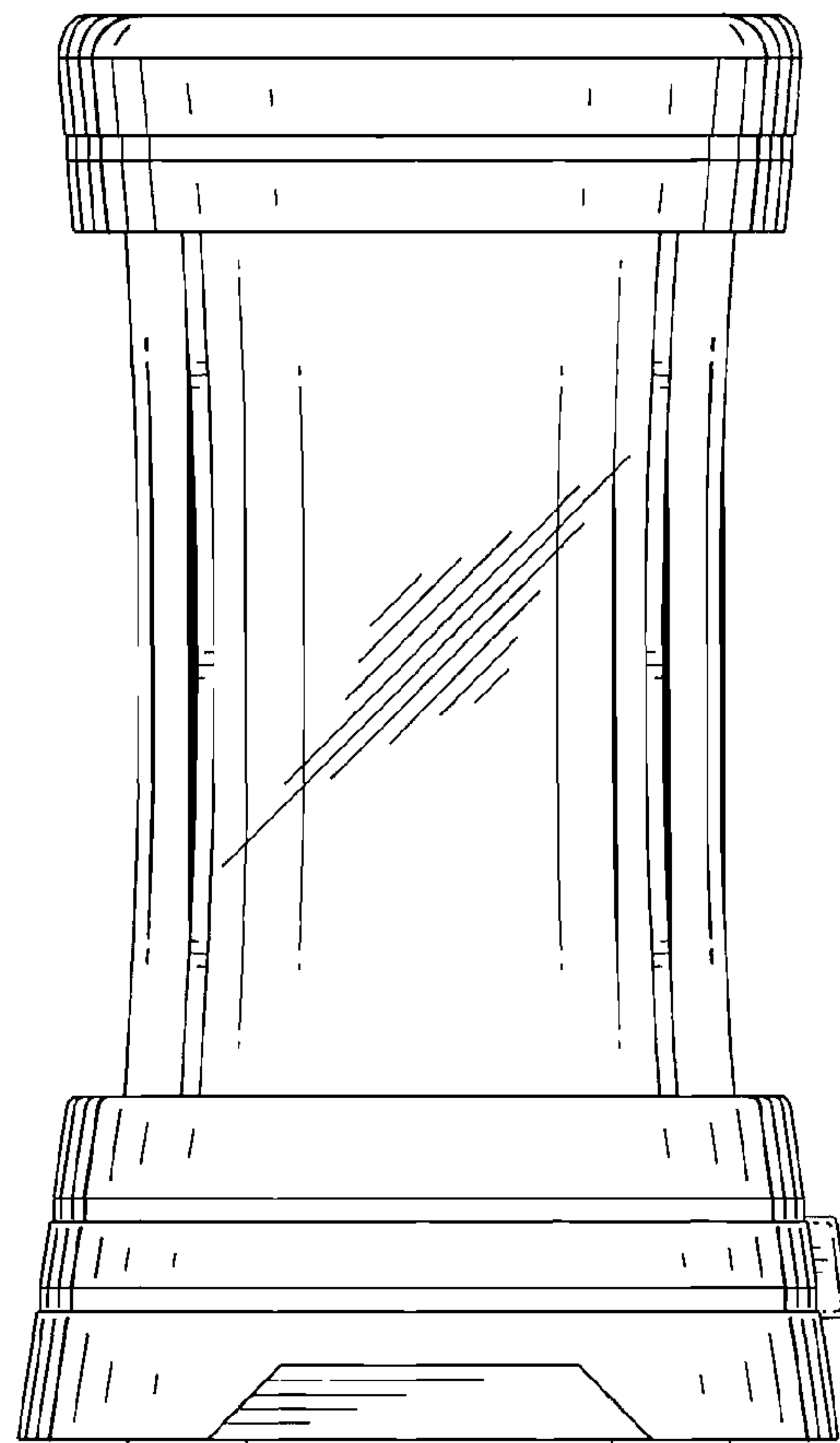


FIG. 7