

US00D609841S

(12) **United States Design Patent**
Bush

(10) **Patent No.:** **US D609,841 S**

(45) **Date of Patent:** **** Feb. 9, 2010**

(54) **FLUORESCENT LIGHTING FIXTURE**

(75) Inventor: **Michael Bush**, St. Charles, MO (US)

(73) Assignee: **Koller Enterprises, Inc.**, Fenton, MO (US)

(**) Term: **14 Years**

(21) Appl. No.: **29/301,397**

(22) Filed: **Feb. 28, 2008**

(51) **LOC (9) Cl.** **26-03**

(52) **U.S. Cl.** **D26/76**

(58) **Field of Classification Search** D26/26,
D26/37, 67, 72, 74-79, 80, 104, 108, 118,
D26/120; 362/147-148, 150, 217-225, 132,
362/260, 262-264, 267, 345, 440; D13/180;
D23/370, 371, 385

See application file for complete search history.

(56) **References Cited**

U.S. PATENT DOCUMENTS

D123,757	S	*	12/1940	Dreyfuss	D26/76
2,281,376	A	*	4/1942	Ohm	362/223
2,886,699	A	*	5/1959	Harling	362/223
3,163,366	A	*	12/1964	Dusen, Jr. et al.	362/218
3,309,565	A	*	3/1967	Dusen, Jr. et al.	315/117
D208,491	S	*	9/1967	Brooks, Jr.	D26/71
D215,340	S	*	9/1969	Wince	D26/76
D252,234	S	*	6/1979	Asaki	D26/71
D300,953	S	*	5/1989	Hughes et al.	D26/78
D329,715	S	*	9/1992	Dieperink	D26/76
D331,119	S	*	11/1992	Hagebo	D26/76

5,172,976	A	*	12/1992	Bogdanovs	362/374
D448,103	S	*	9/2001	Yuen	D26/42
D457,981	S	*	5/2002	Yeh	D26/76
D550,154	S	*	9/2007	Pickard	D13/110
7,314,295	B2	*	1/2008	Legat et al.	362/375
D564,694	S	*	3/2008	Southern, Jr.	D26/85

* cited by examiner

Primary Examiner—Philip S Hyder

Assistant Examiner—Susan E Krakower

(74) *Attorney, Agent, or Firm*—Stinson Morrison Hecker LLP

(57) **CLAIM**

The ornamental design for a fluorescent lighting fixture, as shown and described.

DESCRIPTION

FIG. 1 is a perspective view of the fluorescent lighting fixture according to the present invention;

FIG. 2 is an elevational view of one end of the fluorescent lighting fixture, the other end being identical thereto;

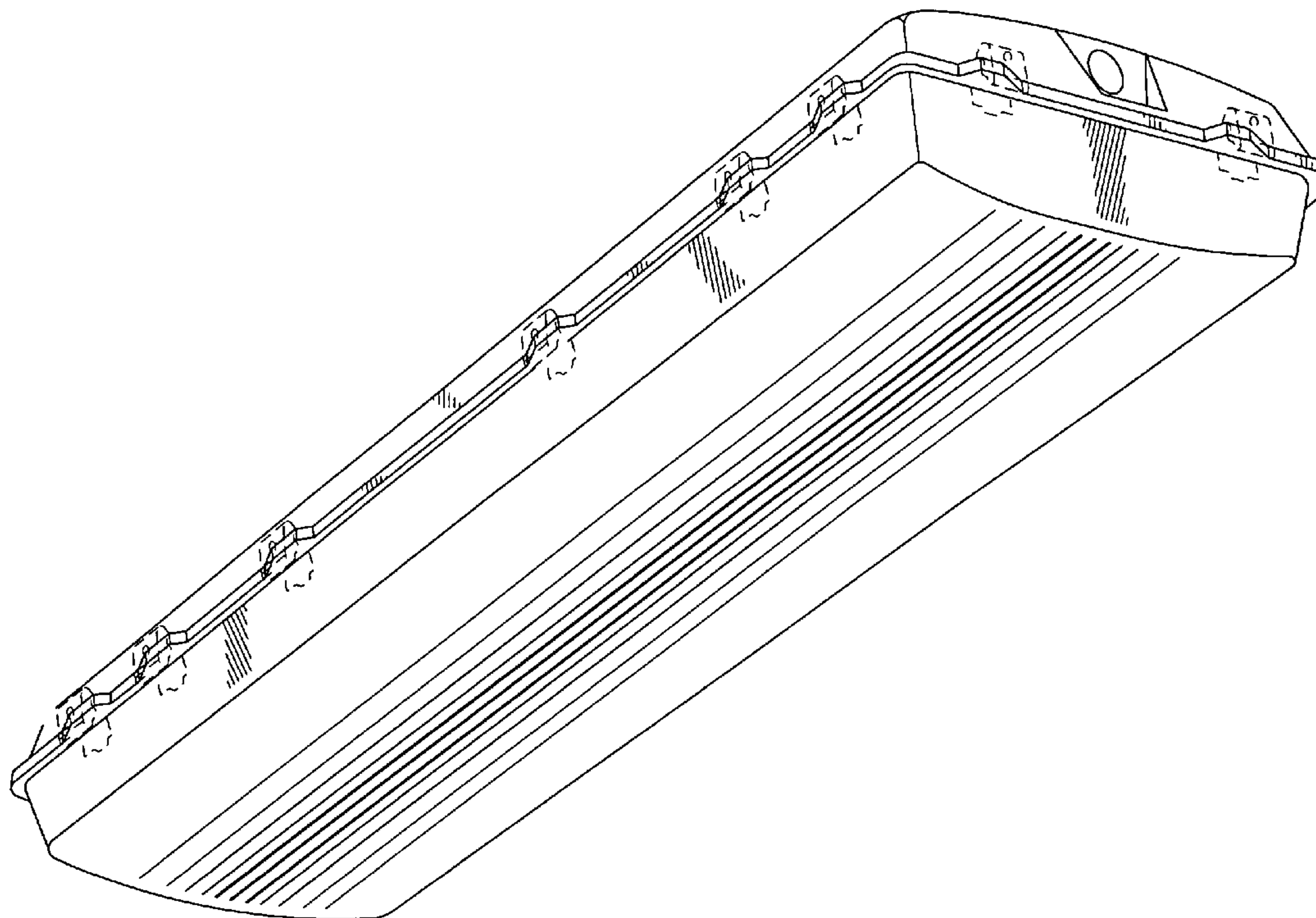
FIG. 3 is a bottom plan view of the fluorescent lighting fixture;

FIG. 4 is an elevational view of one side thereof, the other side being identical thereto; and,

FIG. 5 is a top plan view of the fluorescent lighting fixture according to the present invention.

The broken lines are directed to environment and portions so indicated form no part of the claimed design.

1 Claim, 3 Drawing Sheets



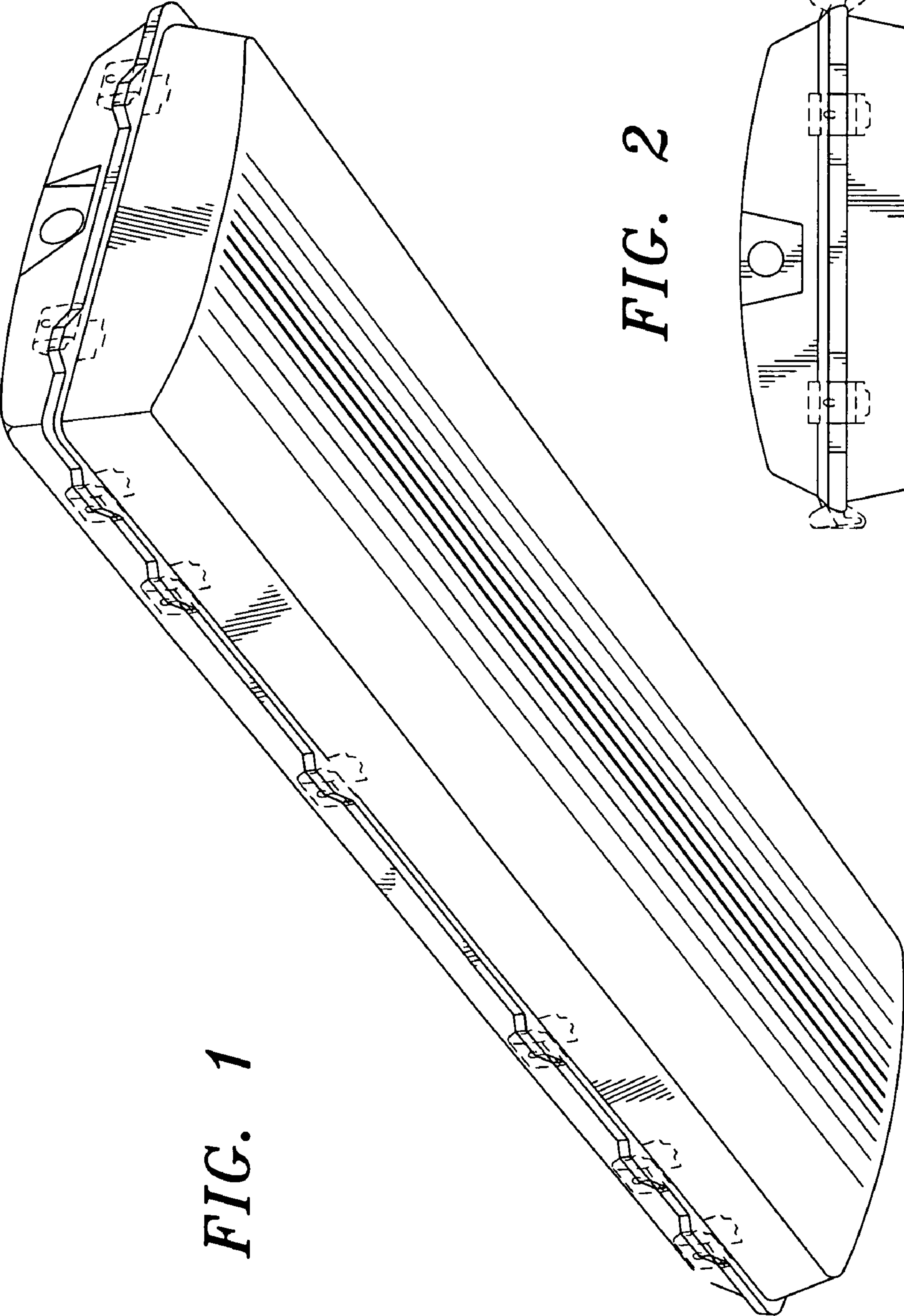


FIG. 1

FIG. 2

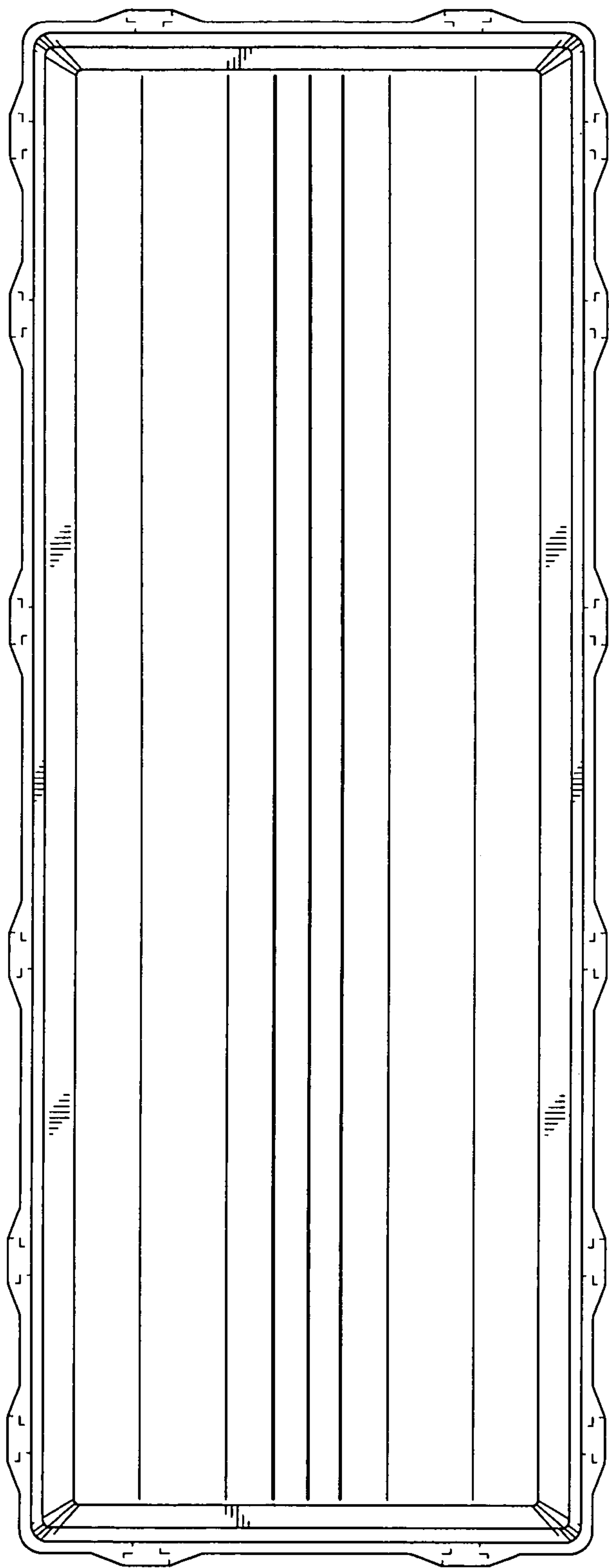


FIG. 3

FIG. 4

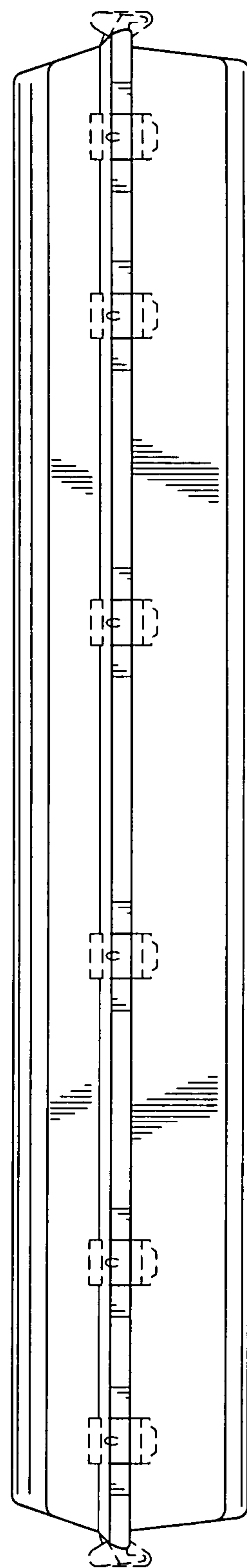


FIG. 5

