



US00D609839S

(12) **United States Design Patent**  
**Wang et al.**

(10) **Patent No.:** **US D609,839 S**

(45) **Date of Patent:** **\*\* Feb. 9, 2010**

(54) **LED LAMP**

(75) Inventors: **Zhong-Qing Wang**, Shenzhen (CN); **Li He**, Shenzhen (CN)

(73) Assignee: **Foxconn Technology Co., Ltd.**,  
Tu-Cheng, Taipei Hsien (TW)

(\*\*) Term: **14 Years**

(21) Appl. No.: **29/330,747**

(22) Filed: **Jan. 14, 2009**

(51) **LOC (9) Cl.** ..... **26-05**

(52) **U.S. Cl.** ..... **D26/71; D26/67**

(58) **Field of Classification Search** ..... **D26/67-72,**  
**D26/85, 92; 362/145, 152, 183, 294, 373,**  
**362/414, 431, 545**

See application file for complete search history.

(56) **References Cited**

**U.S. PATENT DOCUMENTS**

D324,433 S \* 3/1992 Camino et al. .... D26/67  
D573,291 S \* 7/2008 Zheng ..... D26/67  
D577,455 S \* 9/2008 Zheng et al. .... D26/71

D578,698 S \* 10/2008 Zheng ..... D26/71  
D598,157 S \* 8/2009 Zhou et al. .... D26/69  
D598,597 S \* 8/2009 Lu et al. .... D26/68  
D598,598 S \* 8/2009 Zhou et al. .... D26/68  
D598,599 S \* 8/2009 Zhou et al. .... D26/69

\* cited by examiner

*Primary Examiner*—Clare E Heflin

(74) *Attorney, Agent, or Firm*—Frank R. Niranjan

(57) **CLAIM**

The ornamental design for an LED lamp, as shown.

**DESCRIPTION**

FIG. 1 is a perspective view of an LED lamp showing our new design.

FIG. 2 is a front elevational view thereof.

FIG. 3 is a rear elevational view thereof.

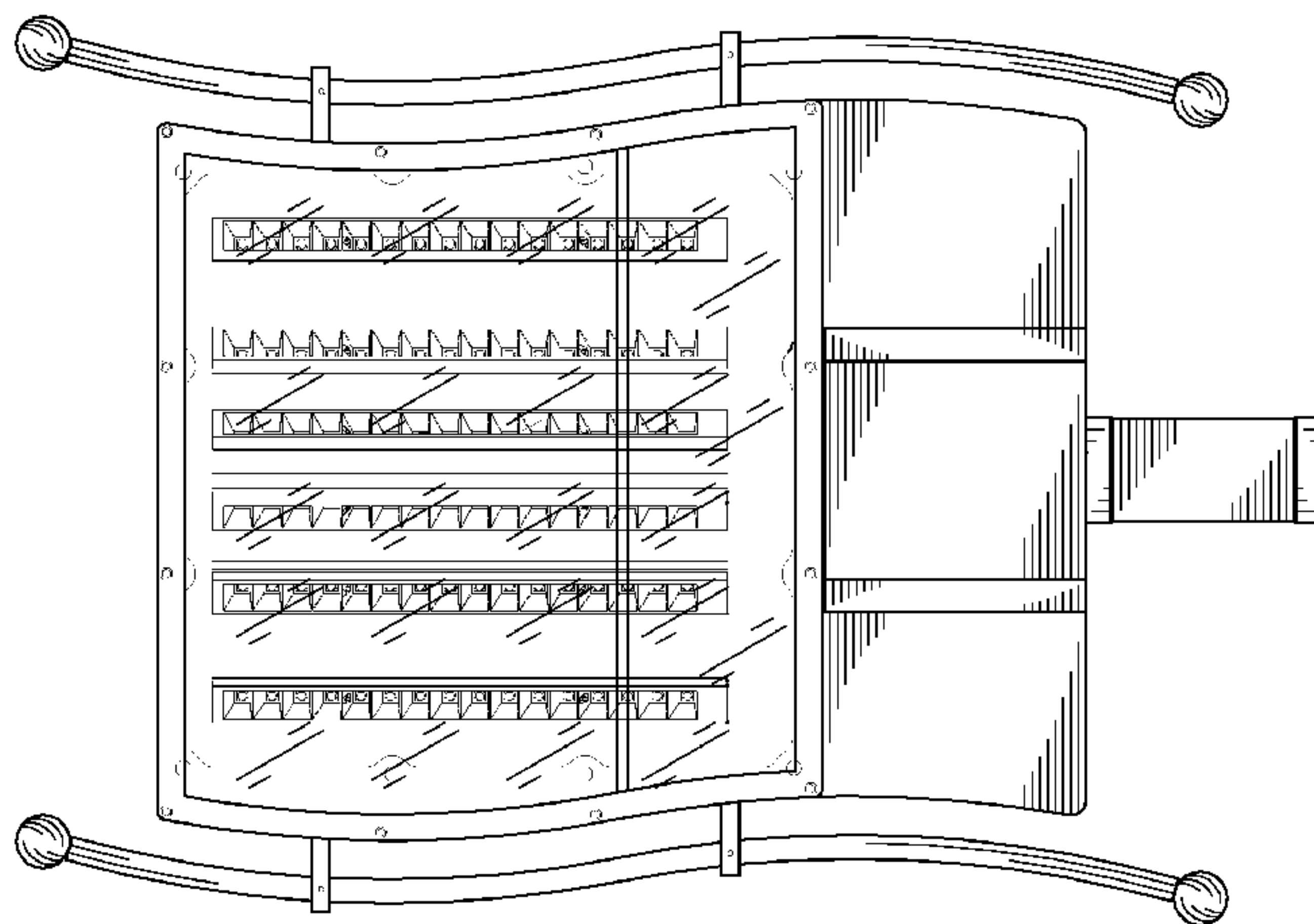
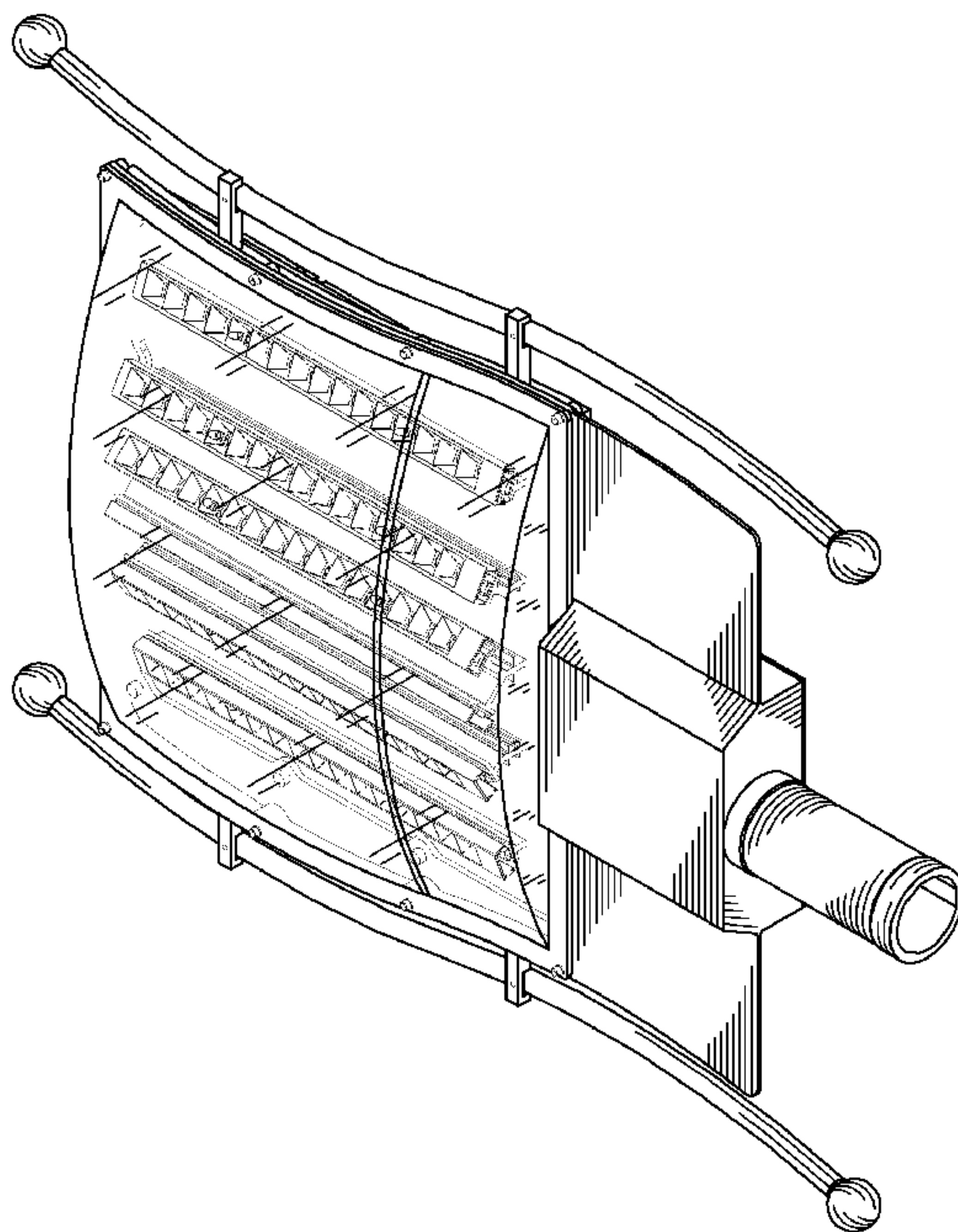
FIG. 4 is a left-side, elevational view thereof.

FIG. 5 is a right-side, elevational view thereof.

FIG. 6 is a top plan view thereof; and,

FIG. 7 is a bottom plan view thereof.

**1 Claim, 7 Drawing Sheets**



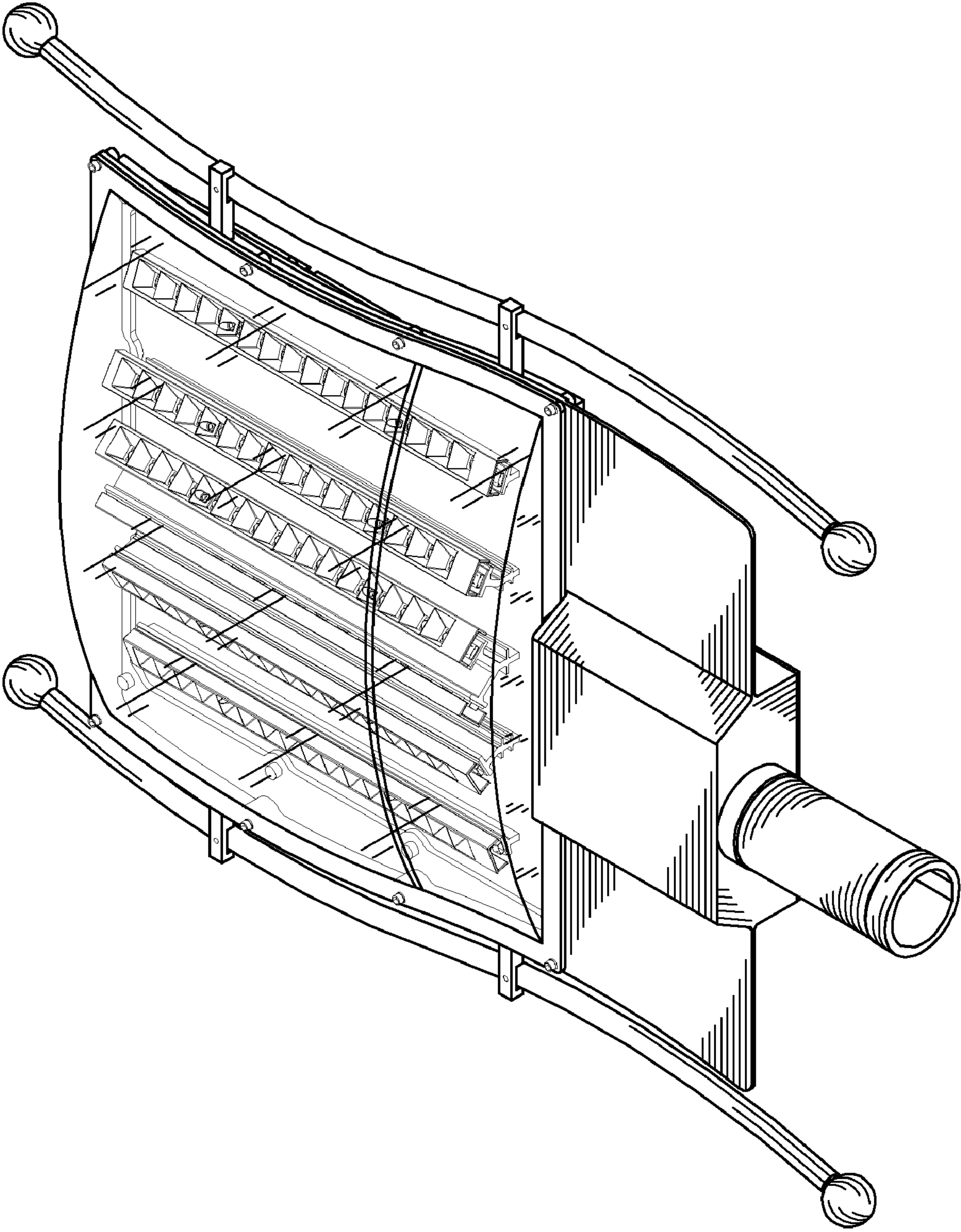


FIG. 1

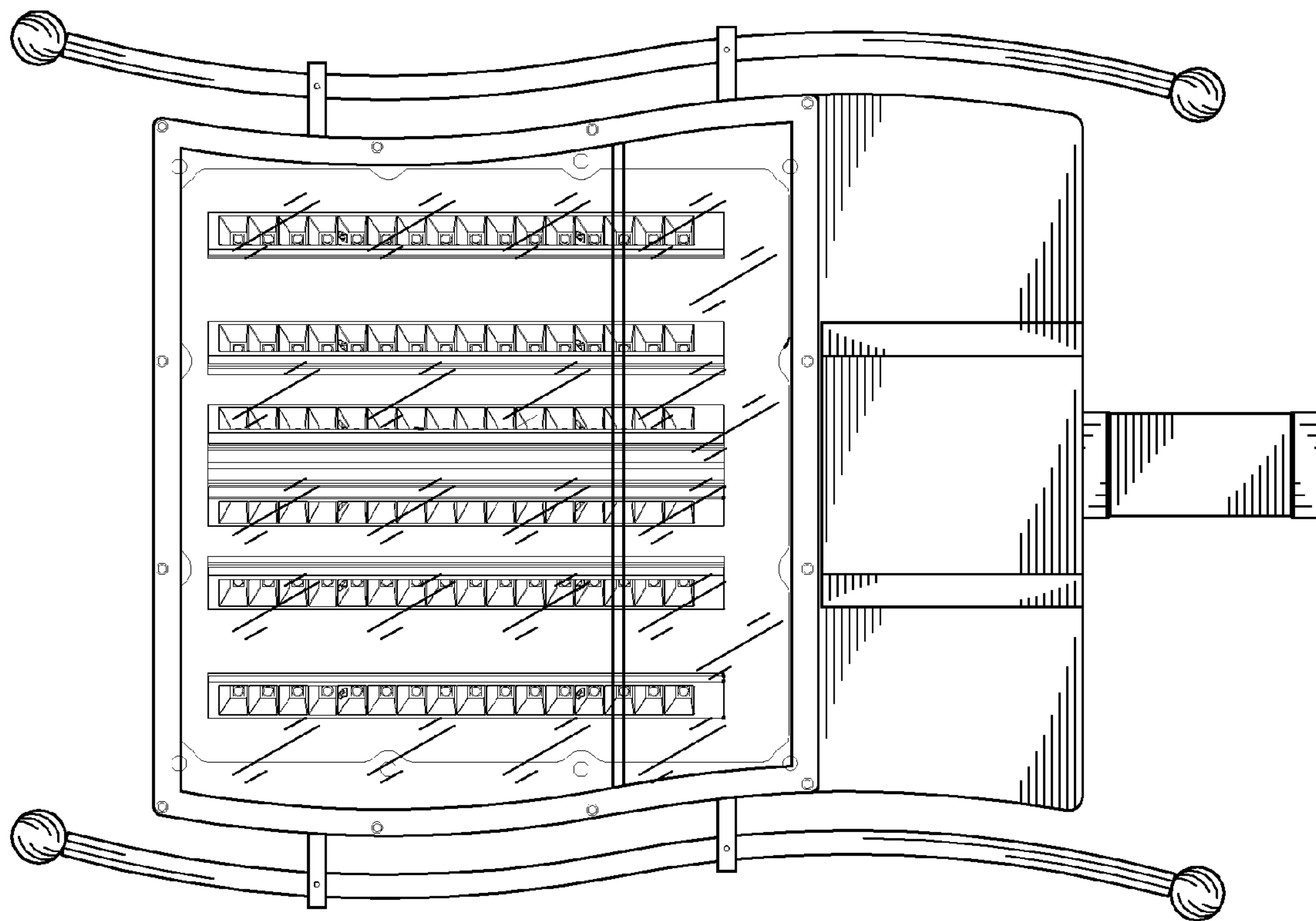


FIG. 2

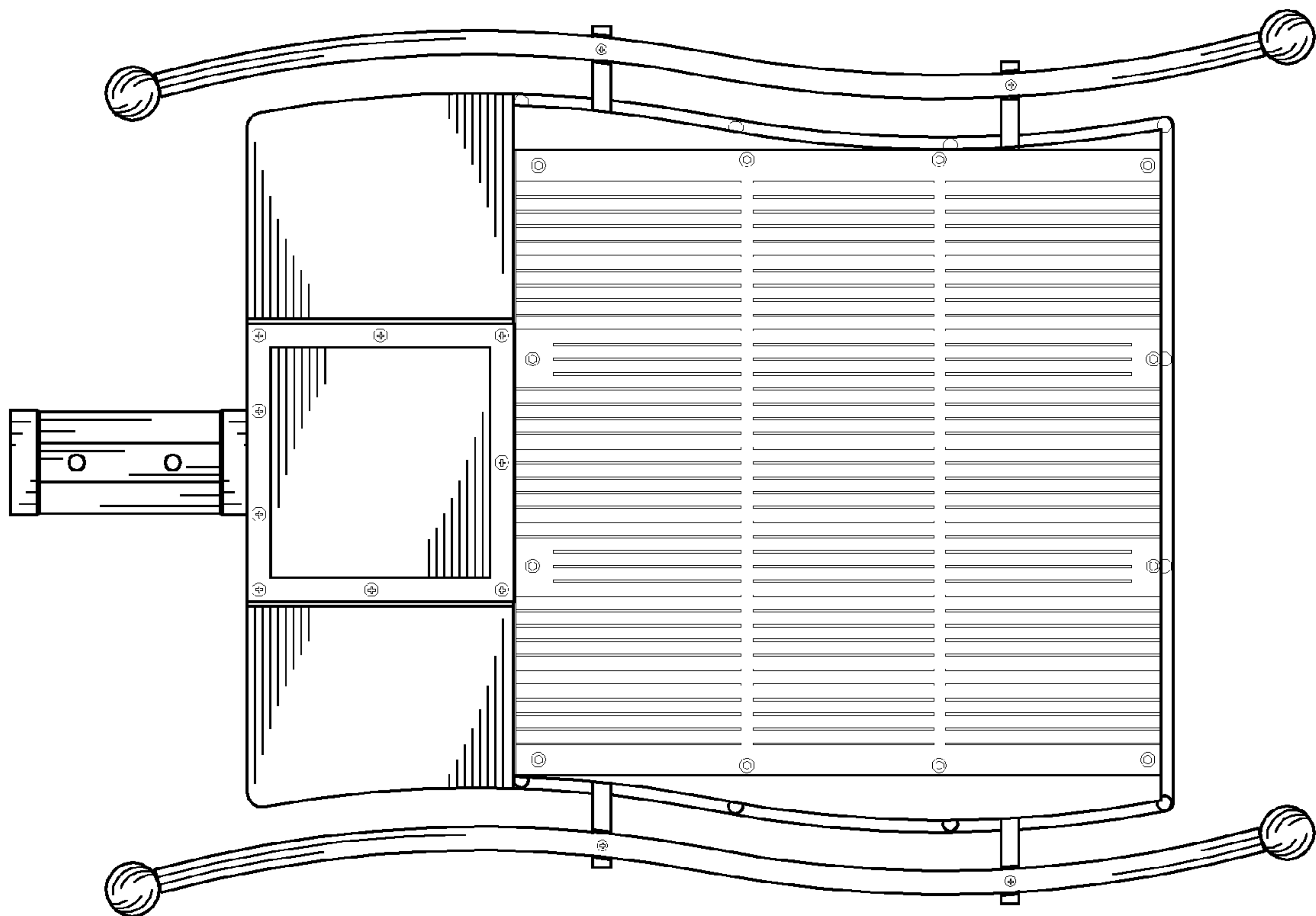


FIG. 3



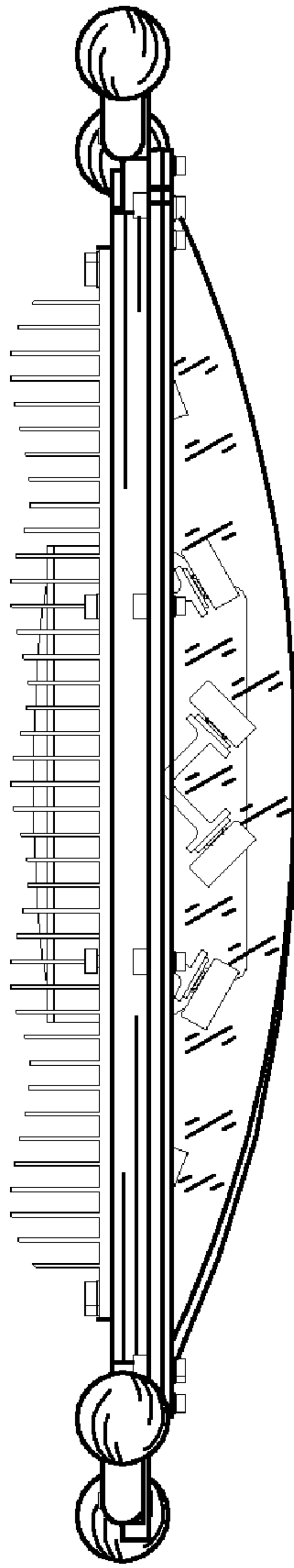


FIG. 4

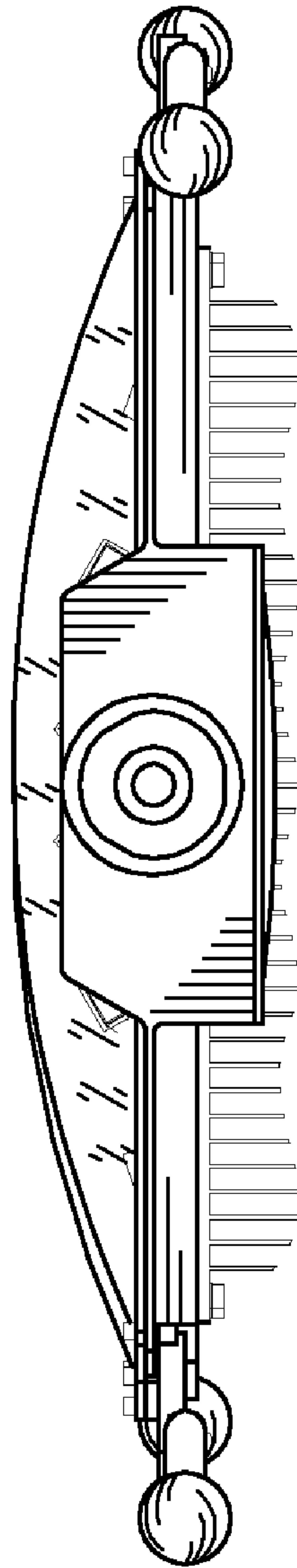


FIG. 5

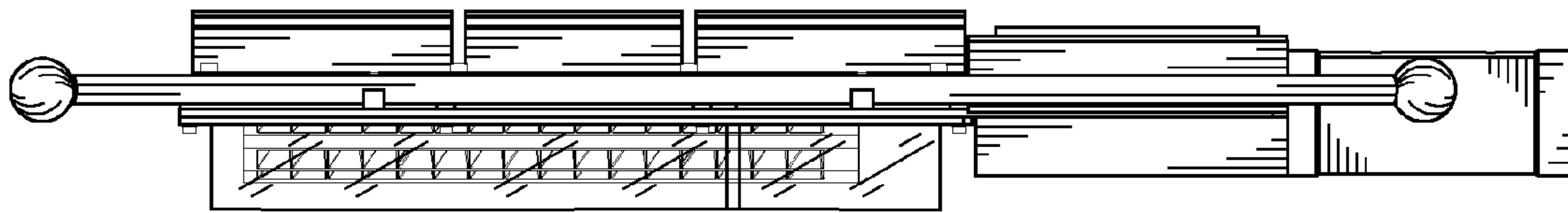


FIG. 6

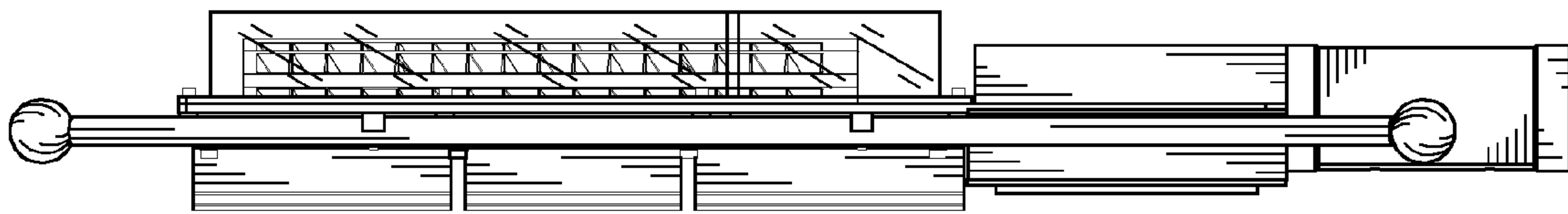


FIG. 7