



US00D609838S

(12) **United States Design Patent**  
**Boissevain**

(10) **Patent No.:** **US D609,838 S**  
(45) **Date of Patent:** **\*\* Feb. 9, 2010**

(54) **LUMINAIRE**

(75) Inventor: **Chris Boissevain**, Wimberley, TX (US)

(73) Assignee: **Koninklijke Philips Electronics N.V.**,  
Eindhoven (NL)

(\*\*) Term: **14 Years**

(21) Appl. No.: **29/328,737**

(22) Filed: **Dec. 1, 2008**

(51) **LOC (9) Cl.** ..... **26-05**

(52) **U.S. Cl.** ..... **D26/71; D26/92**

(58) **Field of Classification Search** ..... **D26/67-72,**  
**D26/85, 92; 362/145, 152, 183, 294, 373,**  
**362/414, 431, 545**

See application file for complete search history.

(56) **References Cited**

**U.S. PATENT DOCUMENTS**

|              |         |                |              |
|--------------|---------|----------------|--------------|
| 1,215,894 A  | 2/1917  | Yuyama         |              |
| D51,774 S    | 2/1918  | Coppinger      |              |
| D54,477 S    | 2/1920  | Strahan        |              |
| 1,356,145 A  | 10/1920 | Hawthorne      |              |
| 1,486,745 A  | 3/1924  | Haselton       |              |
| 1,545,711 A  | 7/1925  | Townsend       |              |
| 1,639,753 A  | 8/1927  | Shelton        |              |
| D81,452 S    | 6/1930  | Osborn         |              |
| 2,075,199 A  | 3/1937  | Homer          |              |
| D104,401 S   | 5/1937  | Kanter         |              |
| D105,721 S   | 8/1937  | Westfall       |              |
| 2,132,784 A  | 10/1938 | Guth           |              |
| D114,805 S   | 5/1939  | Brooks         |              |
| D115,417 S   | 6/1939  | McCann         |              |
| D137,508 S   | 3/1944  | Asay           |              |
| D151,626 S * | 11/1948 | Kress          | ..... D26/85 |
| 2,632,095 A  | 3/1953  | Dove           |              |
| D172,522 S   | 6/1954  | Stone          |              |
| 2,732,484 A  | 1/1956  | Lipscomb       |              |
| D178,282 S   | 7/1956  | Runtz          |              |
| 2,767,305 A  | 10/1956 | Onlesen et al. |              |
| 2,853,599 A  | 9/1958  | Kliegl         |              |
| D190,385 S   | 5/1961  | Schreckengost  |              |
| D191,128 S   | 8/1961  | Curtin et al.  |              |

|             |         |               |
|-------------|---------|---------------|
| D192,125 S  | 1/1962  | Lasker        |
| D195,584 S  | 7/1963  | D'Ercoli      |
| D199,078 S  | 9/1964  | Turner        |
| D199,142 S  | 9/1964  | Daum          |
| D199,144 S  | 9/1964  | Daum          |
| 3,156,418 A | 11/1964 | Jablonski     |
| 3,170,634 A | 2/1965  | Harling       |
| D201,909 S  | 8/1965  | Harling       |
| D202,212 S  | 9/1965  | Izzi          |
| 3,340,393 A | 9/1967  | Franck et al. |

(Continued)

*Primary Examiner*—Clare E Heflin  
(74) *Attorney, Agent, or Firm*—John F. Salazar; Middleton  
Reutlinger

(57) **CLAIM**

The ornamental design for a luminaire, as shown and described.

**DESCRIPTION**

FIG. 1 is a top perspective view of the luminaire of the present invention;

FIG. 2 is a top view of the luminaire of FIG. 1;

FIG. 3 is a bottom view of the luminaire of FIG. 1;

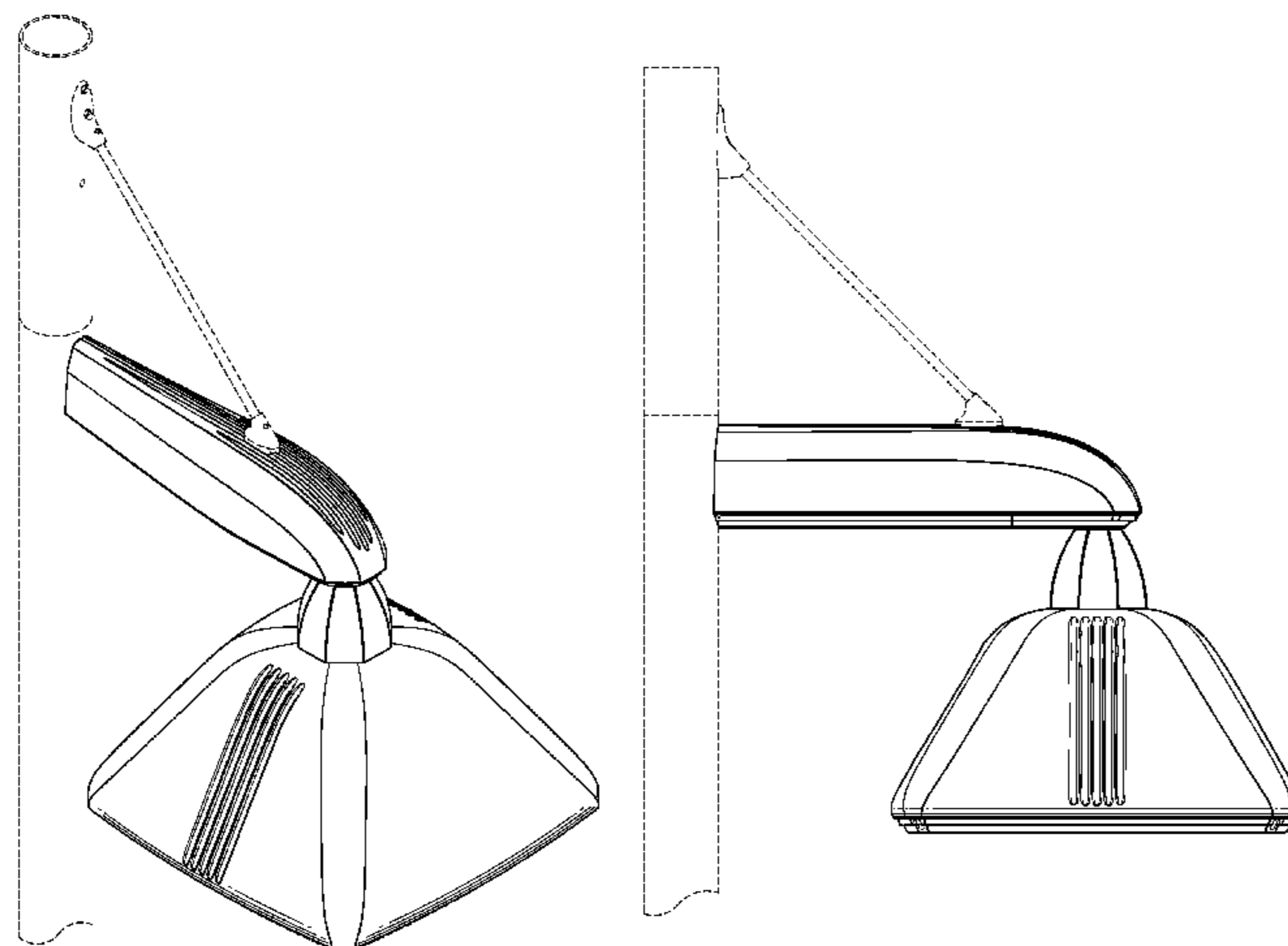
FIG. 4 is a left side elevation view of the luminaire of FIG. 1, a right side elevation view thereof being a mirror image of the left side elevation view;

FIG. 5 is a front view of the luminaire of FIG. 1; and,

FIG. 6 is a rear view of the luminaire of FIG. 1.

The broken lines showing environmental structure are for illustrative purposes only and form no part of the claimed design.

**1 Claim, 6 Drawing Sheets**



# US D609,838 S

| U.S. PATENT DOCUMENTS |         |                       |              |         |                            |
|-----------------------|---------|-----------------------|--------------|---------|----------------------------|
| 3,388,246 A           | 6/1968  | Bailey                | 5,278,737 A  | 1/1994  | Luce et al.                |
| 3,448,260 A           | 6/1969  | Wince et al.          | D344,606 S   | 2/1994  | Fouke et al.               |
| 3,505,515 A           | 4/1970  | Adra                  | D345,432 S   | 3/1994  | Gruber et al.              |
| D217,638 S            | 5/1970  | Magi                  | D345,433 S   | 3/1994  | Gruber et al.              |
| D222,103 S            | 9/1971  | Anderson              | D345,434 S   | 3/1994  | Gruber et al.              |
| 3,604,916 A           | 9/1971  | Adra                  | D346,874 S   | 5/1994  | Fiorato                    |
| 3,610,915 A           | 10/1971 | Moore                 | D346,875 S   | 5/1994  | Rorke                      |
| 3,666,935 A           | 5/1972  | Pritchett et al.      | D347,292 S   | 5/1994  | Roos et al.                |
| 3,711,702 A           | 1/1973  | Adra                  | D347,486 S   | 5/1994  | Gruber et al.              |
| 3,732,416 A           | 5/1973  | Audesse et al.        | 5,309,341 A  | 5/1994  | Russello et al.            |
| 3,755,665 A           | 8/1973  | Grindle               | D348,531 S   | 7/1994  | Mehaffey et al.            |
| D229,713 S            | 12/1973 | Wince et al.          | 5,339,234 A  | 8/1994  | Russello et al.            |
| D230,071 S            | 1/1974  | Anderson              | D351,919 S   | 10/1994 | Rorke                      |
| 3,895,227 A           | 7/1975  | Murray et al.         | D352,124 S   | 11/1994 | Russello et al.            |
| 3,919,542 A           | 11/1975 | Castic                | 5,377,087 A  | 12/1994 | Yoon                       |
| 4,090,210 A           | 5/1978  | Wehling et al.        | D354,580 S   | 1/1995  | Fouke et al.               |
| 4,143,413 A           | 3/1979  | Kelly                 | D355,044 S   | 1/1995  | Russello et al.            |
| 4,164,784 A           | 8/1979  | Jaksich               | D357,547 S   | 4/1995  | Layh                       |
| 4,212,050 A           | 7/1980  | Trenkler              | D357,761 S   | 4/1995  | DeWinter                   |
| 4,288,846 A           | 9/1981  | Fletcher et al.       | 5,404,297 A  | 4/1995  | Birk et al.                |
| D262,914 S            | 2/1982  | Kristofek             | D358,898 S   | 5/1995  | Compton                    |
| 4,319,313 A           | 3/1982  | Eberhart et al.       | D358,902 S   | 5/1995  | Webster, III               |
| 4,323,953 A           | 4/1982  | Hutchison             | 5,416,684 A  | 5/1995  | Pearce                     |
| 4,333,131 A           | 6/1982  | Hujimoto et al.       | D364,242 S   | 11/1995 | Fiorato                    |
| D267,516 S            | 1/1983  | Rambusch et al.       | D367,124 S   | 2/1996  | Sherman                    |
| D272,193 S            | 1/1984  | Sangiarno             | D370,228 S   | 5/1996  | Chapman et al.             |
| 4,434,455 A           | 2/1984  | Merritt               | 5,584,574 A  | 12/1996 | Haddad                     |
| 4,447,863 A           | 5/1984  | Fenne                 | D377,990 S   | 2/1997  | Nakano                     |
| 4,462,068 A           | 7/1984  | Shadwick              | 5,613,766 A  | 3/1997  | Raouf                      |
| 4,473,873 A           | 9/1984  | Quiogue               | 5,642,934 A  | 7/1997  | Haddad                     |
| 4,519,018 A           | 5/1985  | Rowland               | 5,647,659 A  | 7/1997  | Mori                       |
| 4,527,224 A           | 7/1985  | Sangiarno et al.      | D385,643 S   | 10/1997 | Brohard et al.             |
| 4,587,602 A           | 5/1986  | Dean et al.           | D389,949 S   | 1/1998  | Walker                     |
| 4,590,544 A           | 5/1986  | Decandia              | D390,999 S   | 2/1998  | Gaskins et al.             |
| 4,602,320 A           | 7/1986  | Tomkin et al.         | D391,659 S   | 3/1998  | Gaskins et al.             |
| D286,206 S            | 10/1986 | Joosten et al.        | D392,407 S   | 3/1998  | Johnson et al.             |
| D286,446 S            | 10/1986 | Caroli et al.         | D393,733 S   | 4/1998  | Gaskins et al.             |
| 4,623,956 A           | 11/1986 | Conti                 | D394,124 S * | 5/1998  | Mackert et al. .... D26/85 |
| 4,636,579 A           | 1/1987  | Hanak et al.          | D395,140 S   | 6/1998  | O'Rourke                   |
| 4,695,930 A           | 9/1987  | Wierzbicki et al.     | 5,803,585 A  | 9/1998  | Littman et al.             |
| 4,709,312 A           | 11/1987 | Heinisch et al.       | D399,331 S   | 10/1998 | Greene et al.              |
| D294,066 S            | 2/1988  | Ewing et al.          | D399,332 S   | 10/1998 | Greene et al.              |
| 4,760,499 A           | 7/1988  | Il                    | D399,333 S   | 10/1998 | Greene et al.              |
| 4,760,511 A           | 7/1988  | Russello              | D400,286 S   | 10/1998 | Greene et al.              |
| 4,816,969 A           | 3/1989  | Miller                | D404,842 S   | 1/1999  | Hurst                      |
| D301,175 S            | 5/1989  | Benjamin              | D407,842 S   | 4/1999  | Landefield                 |
| D302,326 S            | 7/1989  | DiCola                | 5,906,431 A  | 5/1999  | Chianale et al.            |
| D302,327 S            | 7/1989  | DiCola                | D412,037 S   | 7/1999  | Compton                    |
| D302,328 S            | 7/1989  | Fretz                 | 5,918,970 A  | 7/1999  | Brohard et al.             |
| D302,329 S            | 7/1989  | Fretz et al.          | D415,304 S   | 10/1999 | Brown                      |
| D302,330 S            | 7/1989  | Fretz                 | 5,971,571 A  | 10/1999 | Rose                       |
| 4,858,091 A           | 8/1989  | Fouke                 | D417,303 S   | 11/1999 | Rahn                       |
| D304,092 S *          | 10/1989 | Glassman ..... D26/85 | D418,626 S   | 1/2000  | Herst et al.               |
| D305,694 S            | 1/1990  | Brown                 | D424,736 S   | 5/2000  | Johnson                    |
| D309,956 S            | 8/1990  | Sikora et al.         | D425,013 S   | 5/2000  | Lai                        |
| D315,612 S            | 3/1991  | Hughes et al.         | 6,089,732 A  | 7/2000  | Wright et al.              |
| D316,457 S            | 4/1991  | De'Armond             | D429,362 S   | 8/2000  | Landefield                 |
| D321,408 S            | 11/1991 | Hughes et al.         | 6,128,868 A  | 10/2000 | Ohtsuka et al.             |
| 5,068,769 A           | 11/1991 | Umeda et al.          | 6,152,583 A  | 11/2000 | Langner                    |
| D323,897 S            | 2/1992  | Compton               | D434,873 S   | 12/2000 | Jaspers-Fayers et al.      |
| 5,086,379 A           | 2/1992  | Denison et al.        | D437,958 S   | 2/2001  | Doron, Jr. et al.          |
| 5,158,348 A           | 10/1992 | Sakamoto et al.       | D440,692 S   | 4/2001  | Janos et al.               |
| 5,174,648 A           | 12/1992 | Clary et al.          | D442,139 S   | 5/2001  | Sasaoka                    |
| D336,536 S            | 6/1993  | Shaanan et al.        | D442,313 S   | 5/2001  | Wojtkowiak et al.          |
| D336,964 S            | 6/1993  | Janssen et al.        | D442,319 S   | 5/2001  | Hsu                        |
| D337,835 S            | 7/1993  | Donato et al.         | D444,258 S   | 6/2001  | Bradford et al.            |
| D338,980 S            | 8/1993  | Dieperink             | 6,250,781 B1 | 6/2001  | Straus et al.              |
| 5,232,518 A           | 8/1993  | Nath et al.           | D444,584 S   | 7/2001  | Landefield                 |
| D343,245 S            | 1/1994  | Fouke et al.          | D445,943 S   | 7/2001  | Littman                    |
| D343,250 S            | 1/1994  | Fouke et al.          | D446,340 S   | 8/2001  | Bradford et al.            |
| D343,251 S            | 1/1994  | Fouke et al.          | D447,590 S   | 9/2001  | Raouf et al.               |
|                       |         |                       | 6,290,376 B1 | 9/2001  | Gutierrez et al.           |
|                       |         |                       | D454,975 S   | 3/2002  | De'Armond et al.           |

# US D609,838 S

|              |         |                  |                 |         |                             |
|--------------|---------|------------------|-----------------|---------|-----------------------------|
| D456,551 S   | 4/2002  | Russello et al.  | D494,701 S      | 8/2004  | Campbell                    |
| D456,552 S   | 4/2002  | Russello et al.  | D495,087 S      | 8/2004  | Brown et al.                |
| D456,553 S   | 4/2002  | Russello et al.  | D497,226 S      | 10/2004 | Nauert                      |
| D456,926 S   | 5/2002  | Gaskins et al.   | D501,057 S      | 1/2005  | Haugaard et al.             |
| D456,927 S   | 5/2002  | Russello et al.  | D504,536 S      | 4/2005  | Emory et al.                |
| D456,928 S   | 5/2002  | Russello et al.  | D515,231 S      | 2/2006  | Randazzo et al.             |
| D456,929 S   | 5/2002  | Russello et al.  | D518,221 S *    | 3/2006  | Randazzo et al. .... D26/68 |
| D456,930 S   | 5/2002  | Russello et al.  | D531,342 S      | 10/2006 | Kauffman et al.             |
| D459,515 S   | 6/2002  | Gaskins et al.   | D537,196 S      | 2/2007  | Summerford et al.           |
| D459,519 S   | 6/2002  | Russello et al.  | D537,555 S      | 2/2007  | Summerford et al.           |
| D460,575 S   | 7/2002  | Tergny et al.    | D537,556 S      | 2/2007  | Summerford et al.           |
| 6,422,709 B1 | 7/2002  | Panagiotou       | 7,244,050 B2    | 7/2007  | Summerford et al.           |
| D465,048 S   | 10/2002 | Gaskins et al.   | D550,388 S *    | 9/2007  | Binsukor ..... D26/67       |
| D465,063 S   | 10/2002 | De'Armond        | D555,821 S      | 11/2007 | Russello et al.             |
| D465,868 S   | 11/2002 | Gaskins et al.   | D556,357 S      | 11/2007 | Butler et al.               |
| 6,481,875 B1 | 11/2002 | Bryant           | 7,296,914 B1    | 11/2007 | Russello et al.             |
| D467,030 S   | 12/2002 | Gaskins et al.   | D556,935 S      | 12/2007 | Quioque et al.              |
| D468,051 S   | 12/2002 | Gaskins et al.   | D556,938 S      | 12/2007 | Russello et al.             |
| D468,472 S   | 1/2003  | Mullally et al.  | D558,374 S *    | 12/2007 | Sandell ..... D26/71        |
| D469,565 S   | 1/2003  | Anderson et al.  | D562,491 S *    | 2/2008  | DiCola ..... D26/85         |
| D472,339 S   | 3/2003  | Russello et al.  | D565,227 S *    | 3/2008  | Haugaard et al. .... D26/71 |
| D476,771 S   | 7/2003  | Herst et al.     | D572,403 S      | 7/2008  | Walker                      |
| D479,624 S   | 9/2003  | Svendson et al.  | D573,289 S *    | 7/2008  | Xu et al. .... D26/67       |
| D481,158 S   | 10/2003 | Cline            | D575,900 S      | 8/2008  | Summerford et al.           |
| D481,159 S   | 10/2003 | Walker           | D580,085 S *    | 11/2008 | Svensson ..... D26/71       |
| D482,487 S   | 11/2003 | Russello et al.  | D585,580 S      | 1/2009  | Riffel et al.               |
| D484,632 S   | 12/2003 | Lamolnara et al. | D592,346 S *    | 5/2009  | Gill ..... D26/71           |
| D487,600 S   | 3/2004  | Fickas           | 2006/0090789 A1 | 5/2006  | Thompson                    |
| D488,253 S   | 4/2004  | Chen             |                 |         |                             |

\* cited by examiner

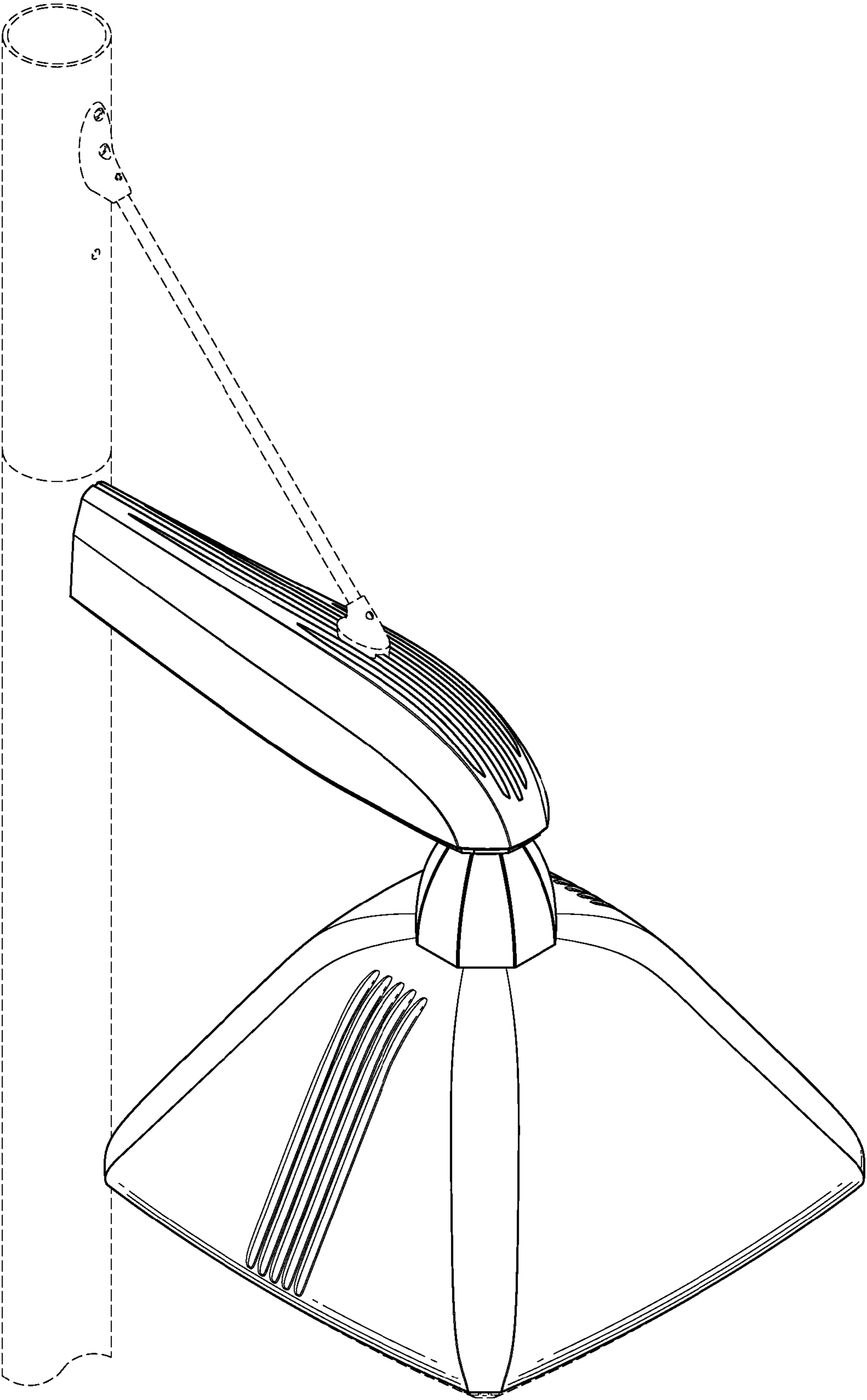


FIG. 1

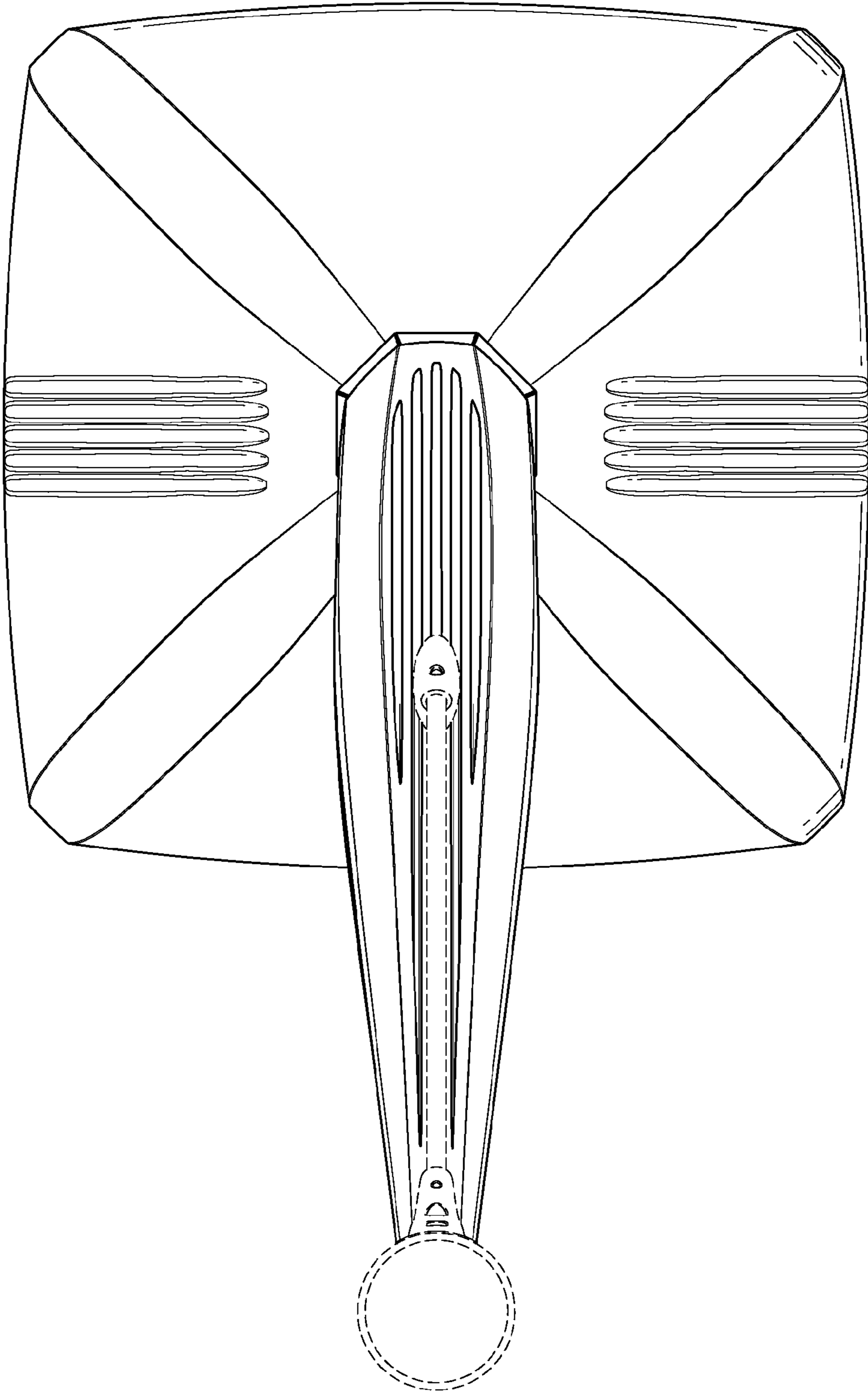


FIG. 2

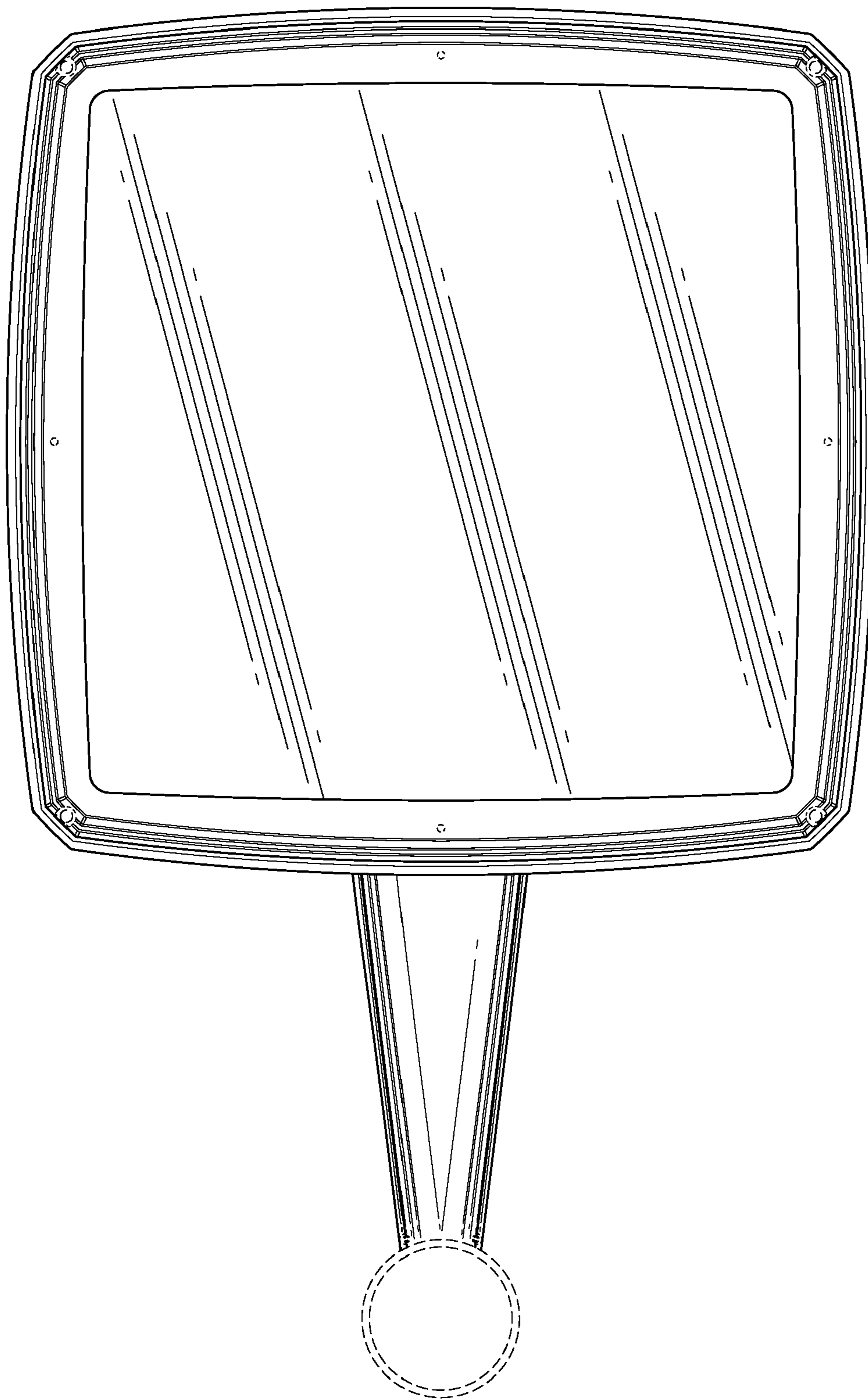


FIG. 3

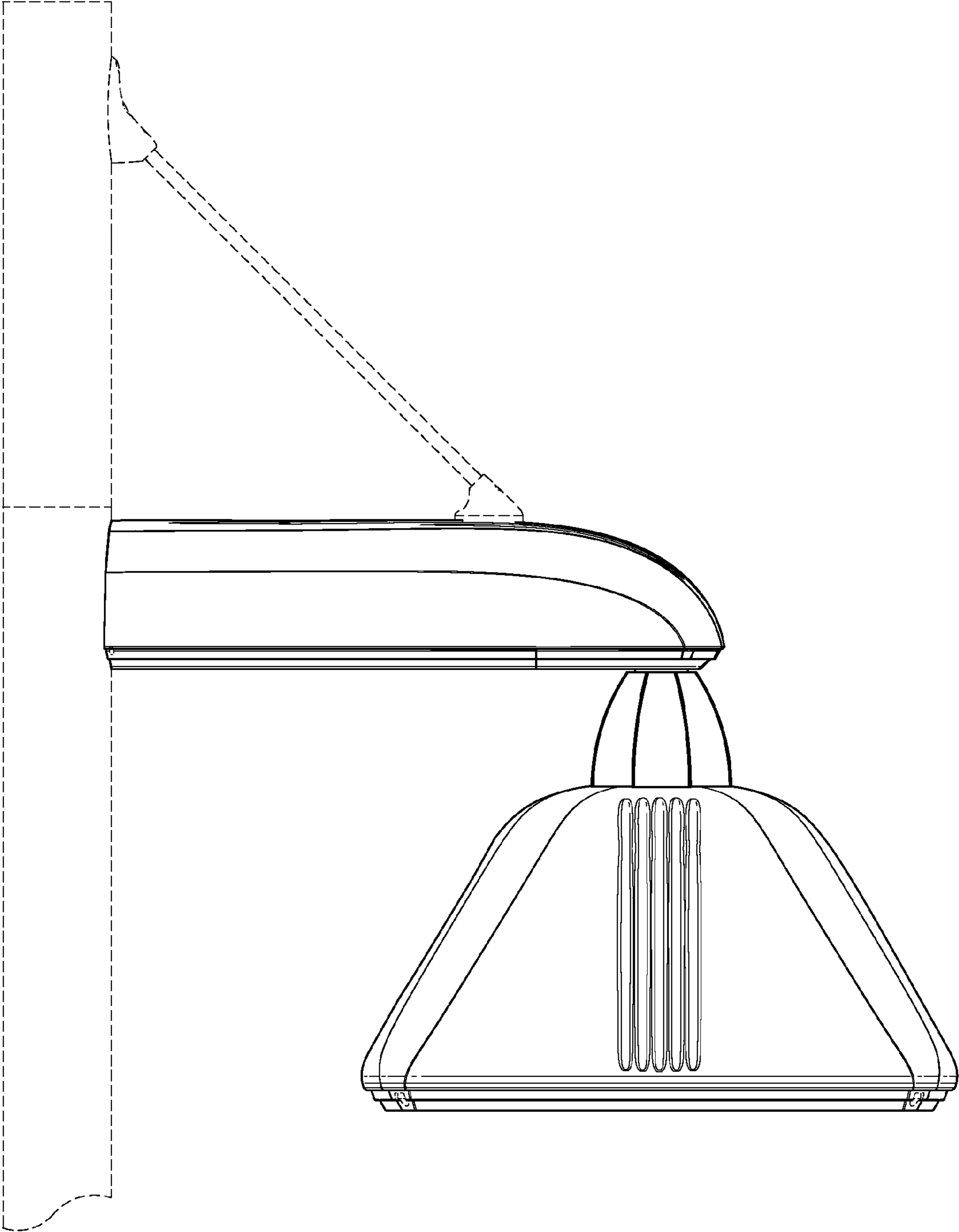


FIG. 4

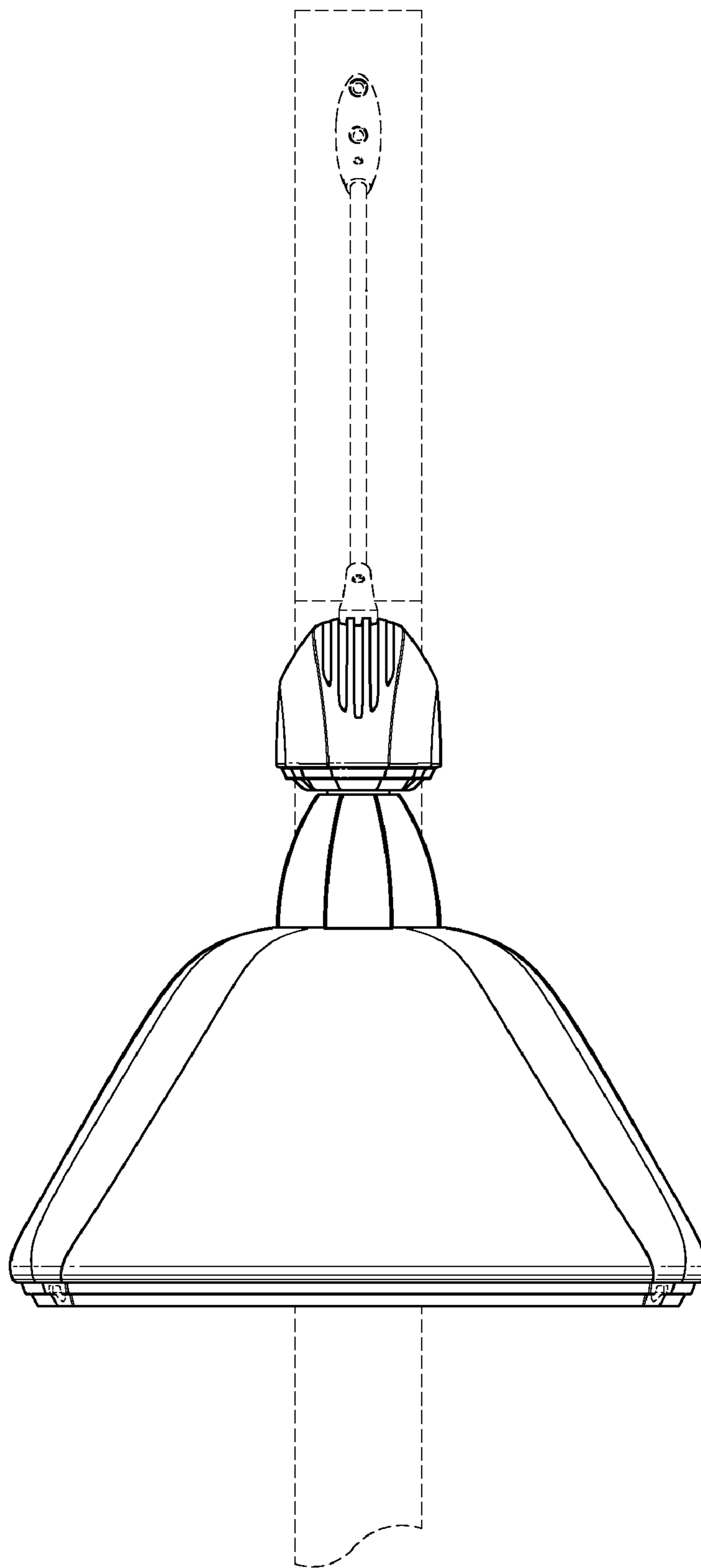


FIG. 5



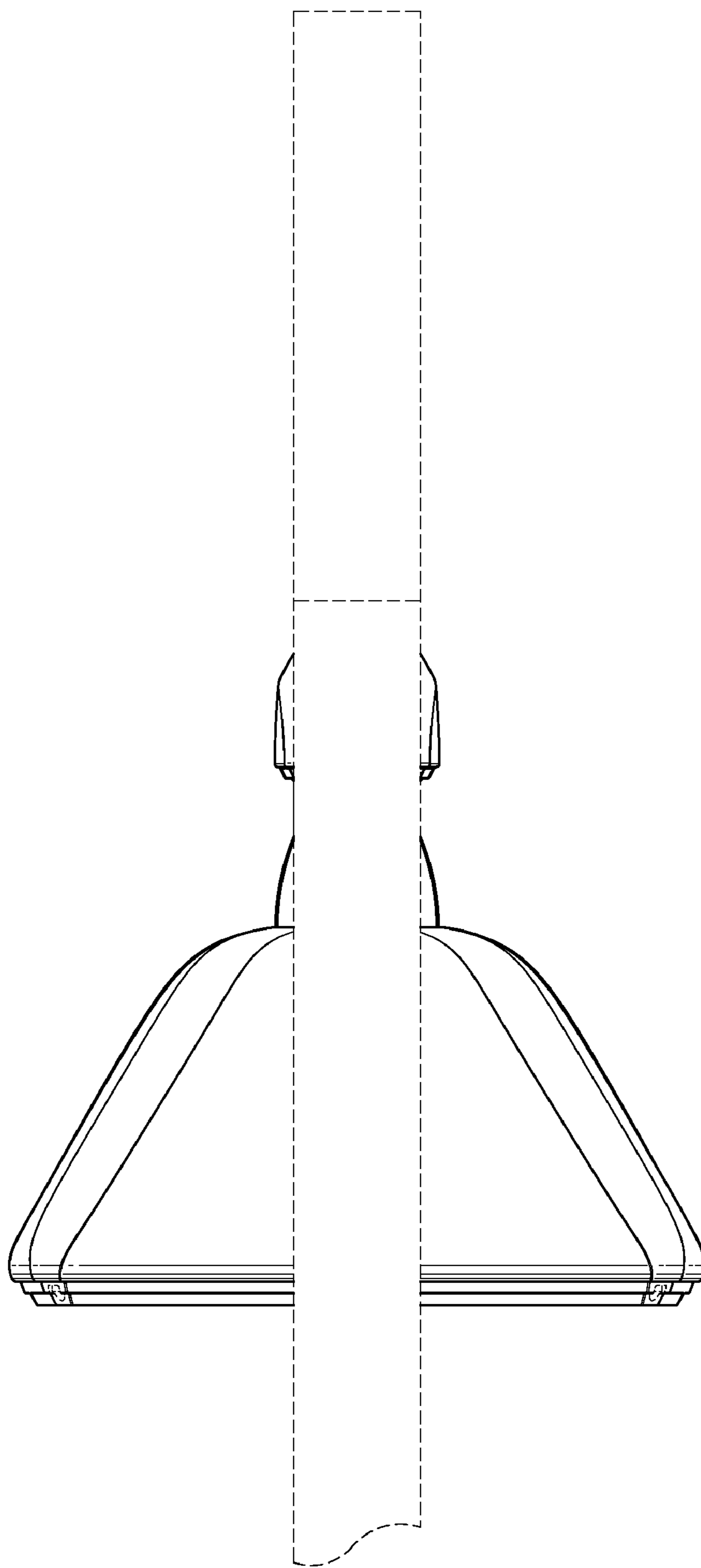


FIG. 6