



US00D609837S

(12) **United States Design Patent**
Zheng

(10) **Patent No.:** **US D609,837 S**

(45) **Date of Patent:** **** Feb. 9, 2010**

(54) **LED LAMP**

(75) Inventor: **Shi-Song Zheng**, Shenzhen (CN)

(73) Assignee: **Foxconn Technology Co., Ltd.**,
Tu-Cheng, Taipei Hsien (TW)

(**) Term: **14 Years**

(21) Appl. No.: **29/306,966**

(22) Filed: **Apr. 21, 2008**

(51) **LOC (9) Cl.** **26-05**

(52) **U.S. Cl.** **D26/70**

(58) **Field of Classification Search** D26/67-72,
D26/85, 92; 362/145, 152, 183, 294, 373,
362/414, 431, 545

See application file for complete search history.

(56) **References Cited**

U.S. PATENT DOCUMENTS

- 7,434,959 B1 * 10/2008 Wang 362/249.01
- 7,455,430 B2 * 11/2008 Huang 362/294
- D582,594 S * 12/2008 Zhou et al. D26/69
- D598,156 S * 8/2009 Xiao et al. D26/69

- D598,157 S * 8/2009 Zhou et al. D26/69
- D598,597 S * 8/2009 Lu et al. D26/68
- D598,598 S * 8/2009 Zhou et al. D26/68
- D598,599 S * 8/2009 Zhou et al. D26/69
- D599,048 S * 8/2009 Xiao et al. D26/68

* cited by examiner

Primary Examiner—Clare E Heflin

(74) *Attorney, Agent, or Firm*—Frank R. Niranjan

(57) **CLAIM**

The ornamental design for an LED lamp, as shown.

DESCRIPTION

FIG. 1 is a perspective view of an LED lamp showing my new design;

FIG. 2 is a front elevational view thereof;

FIG. 3 is a rear elevational view thereof;

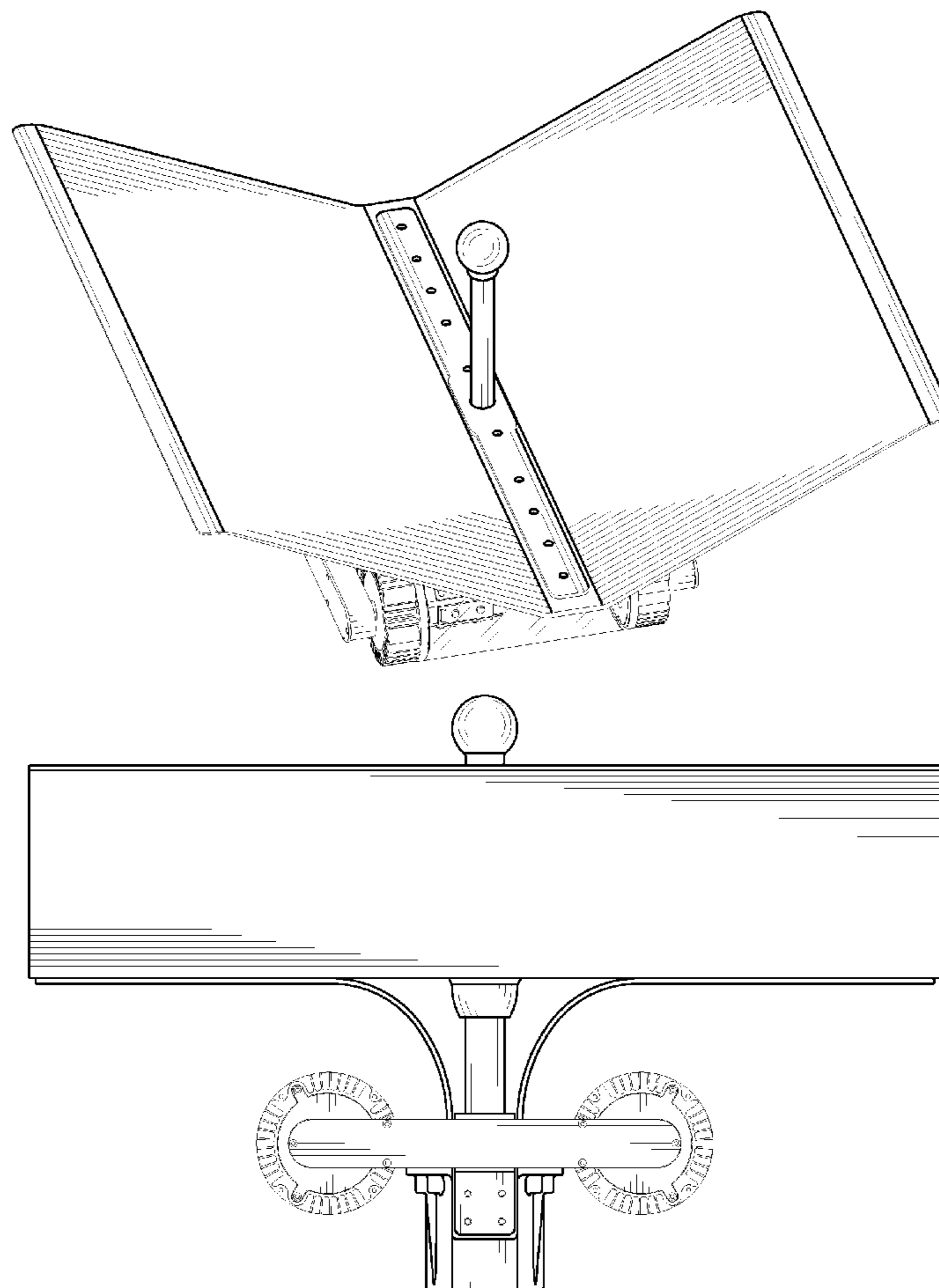
FIG. 4 is a left-side, elevational view thereof;

FIG. 5 is a right-side, elevational view thereof;

FIG. 6 is a top plan view thereof; and,

FIG. 7 is a bottom plan view thereof.

1 Claim, 7 Drawing Sheets



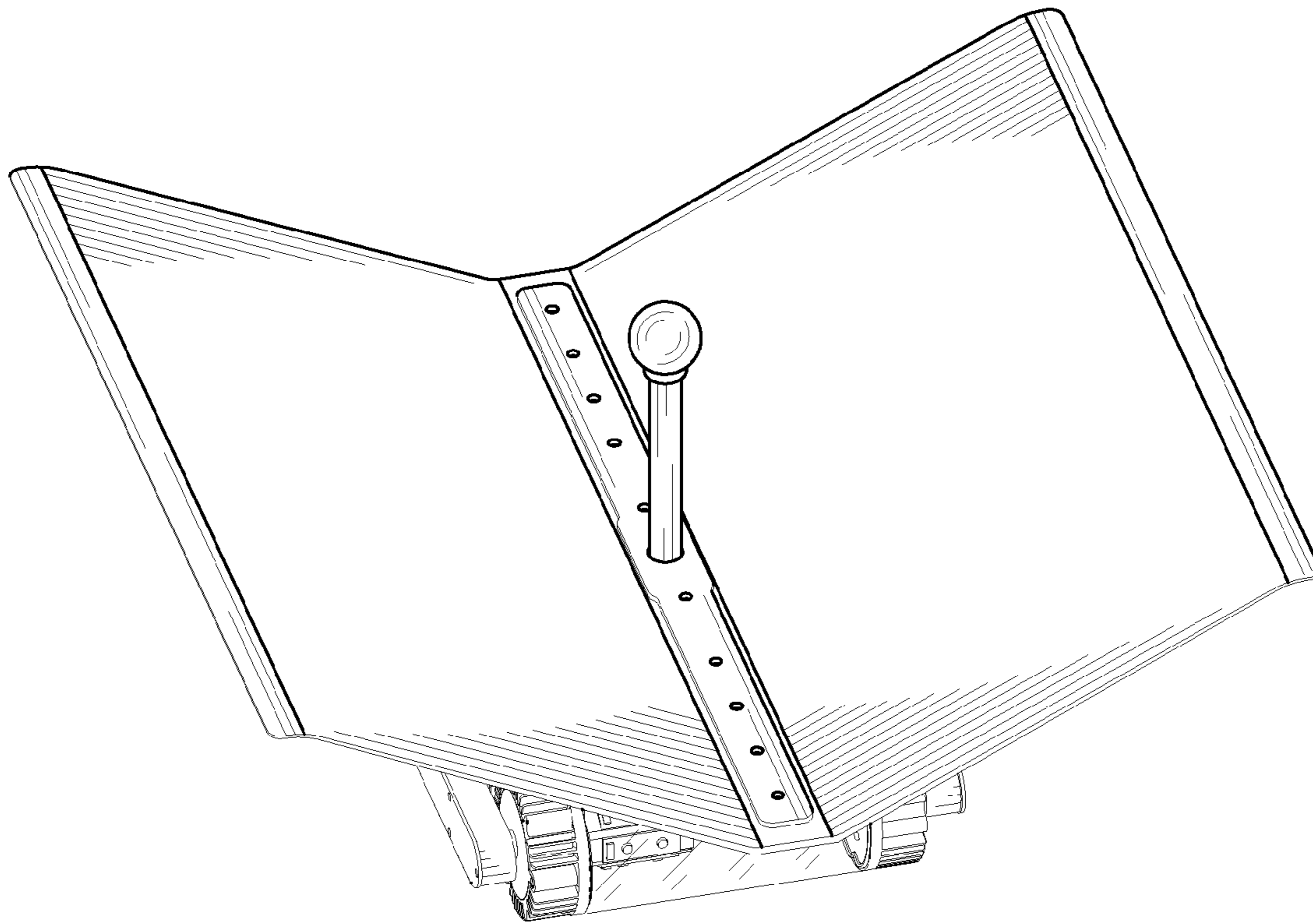


FIG. 1

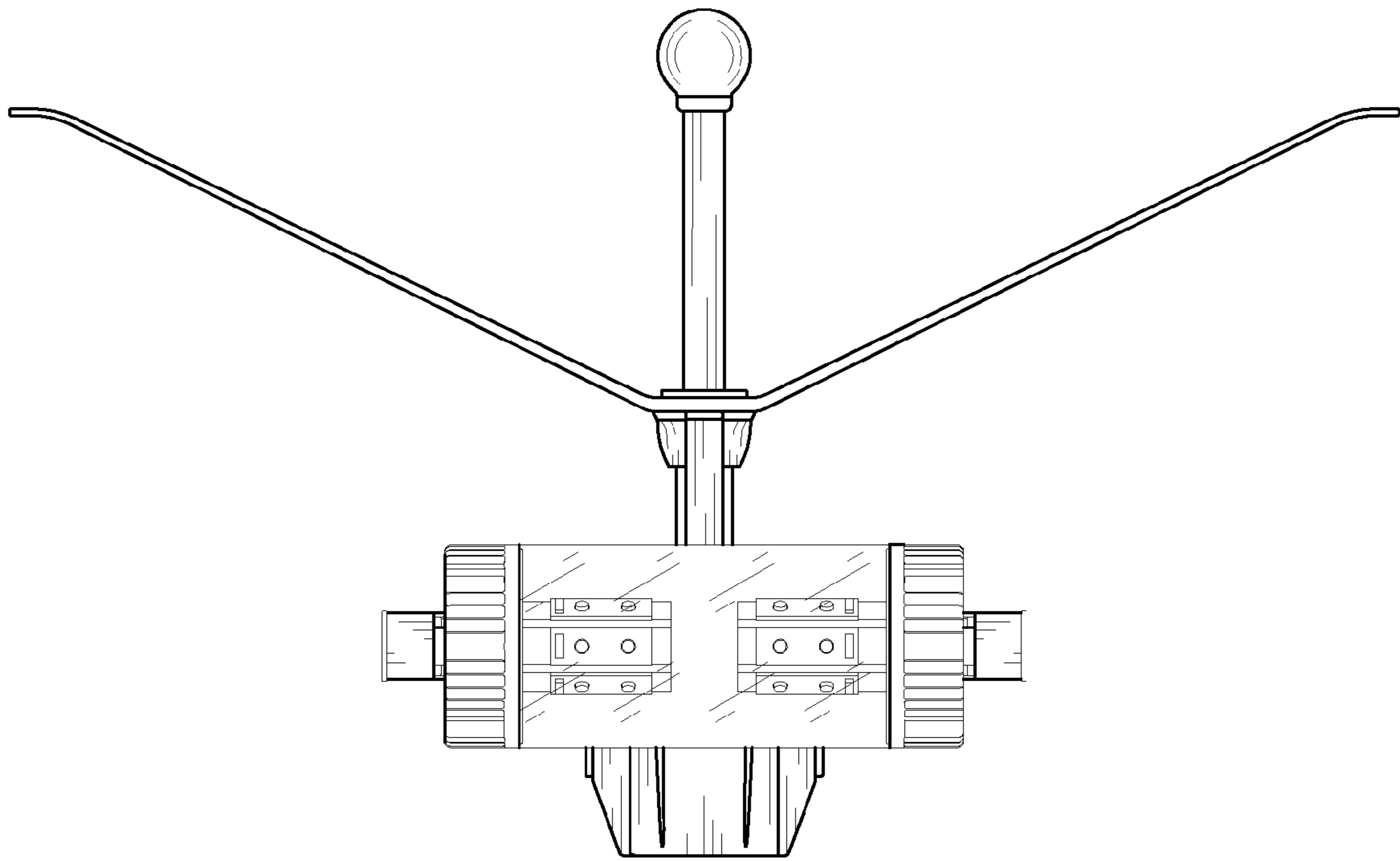


FIG. 2

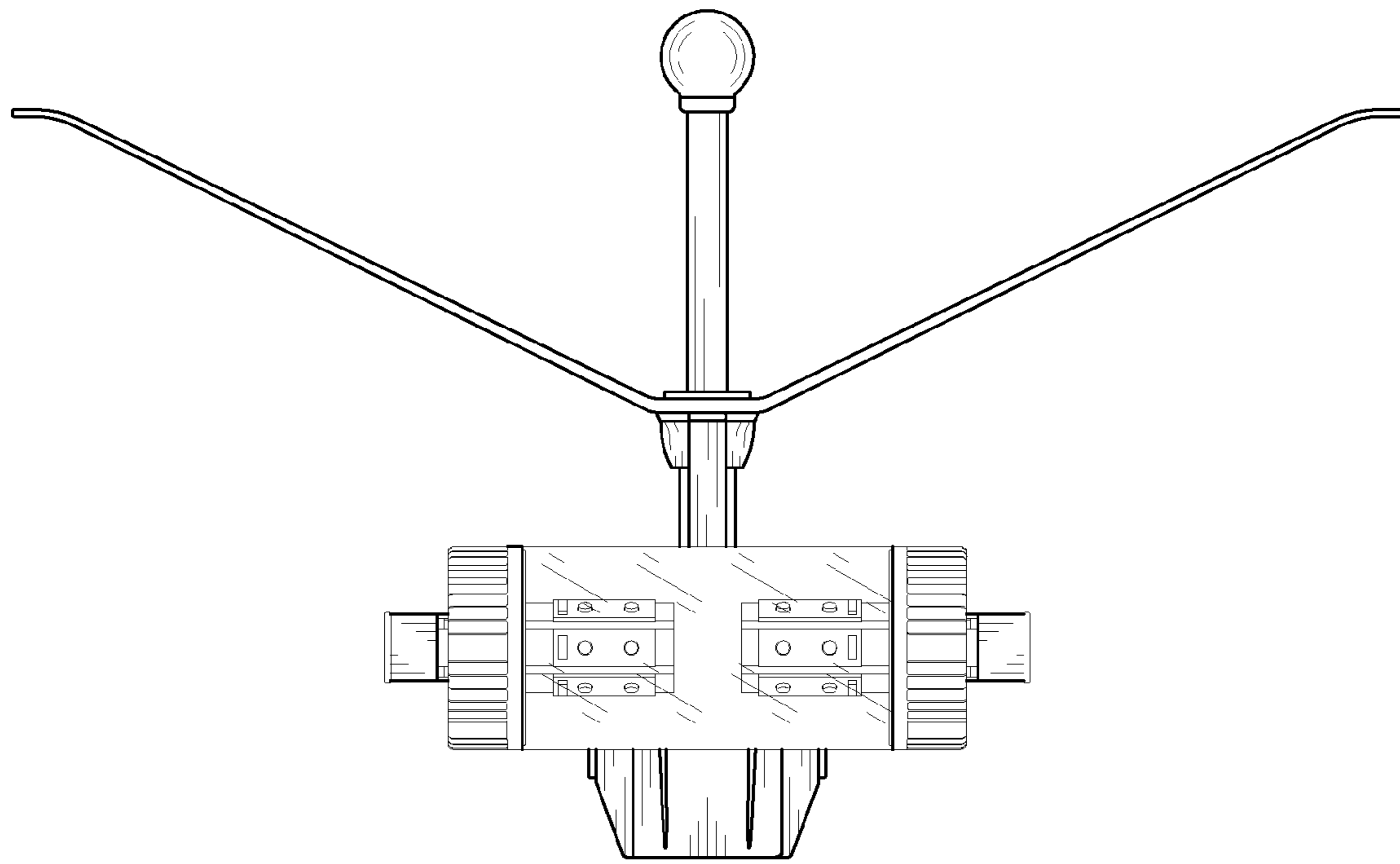


FIG. 3

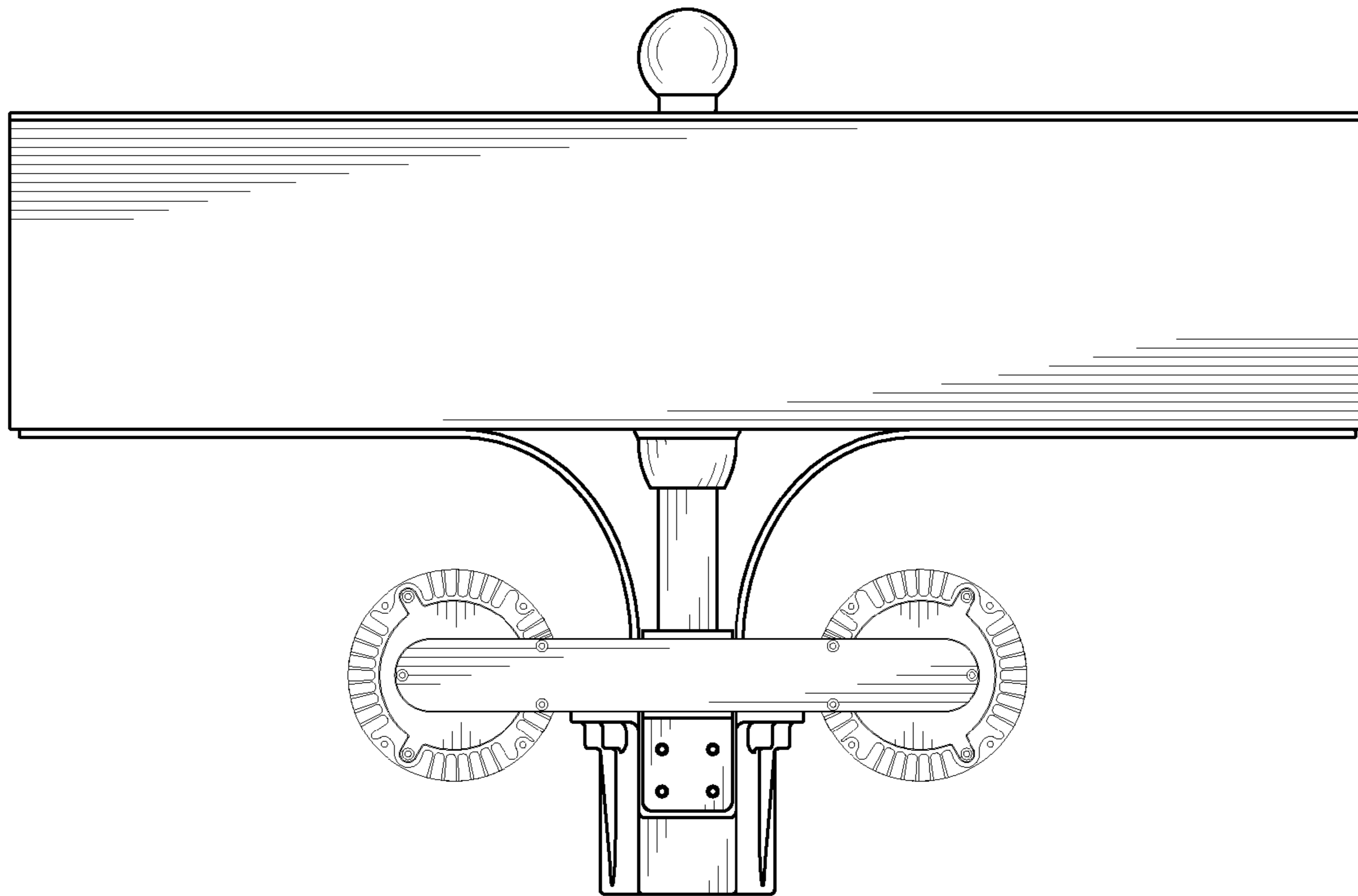


FIG. 4

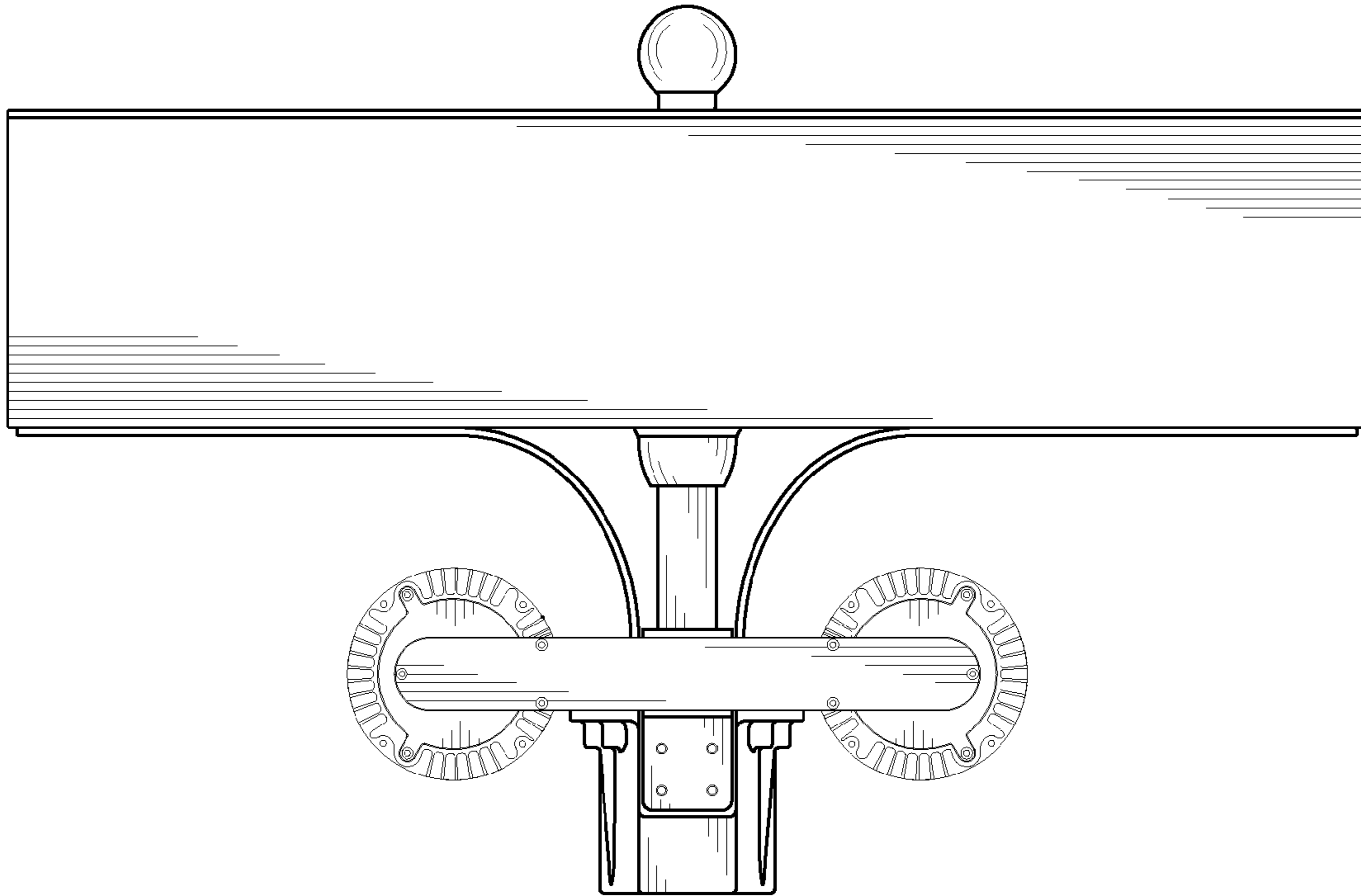


FIG. 5

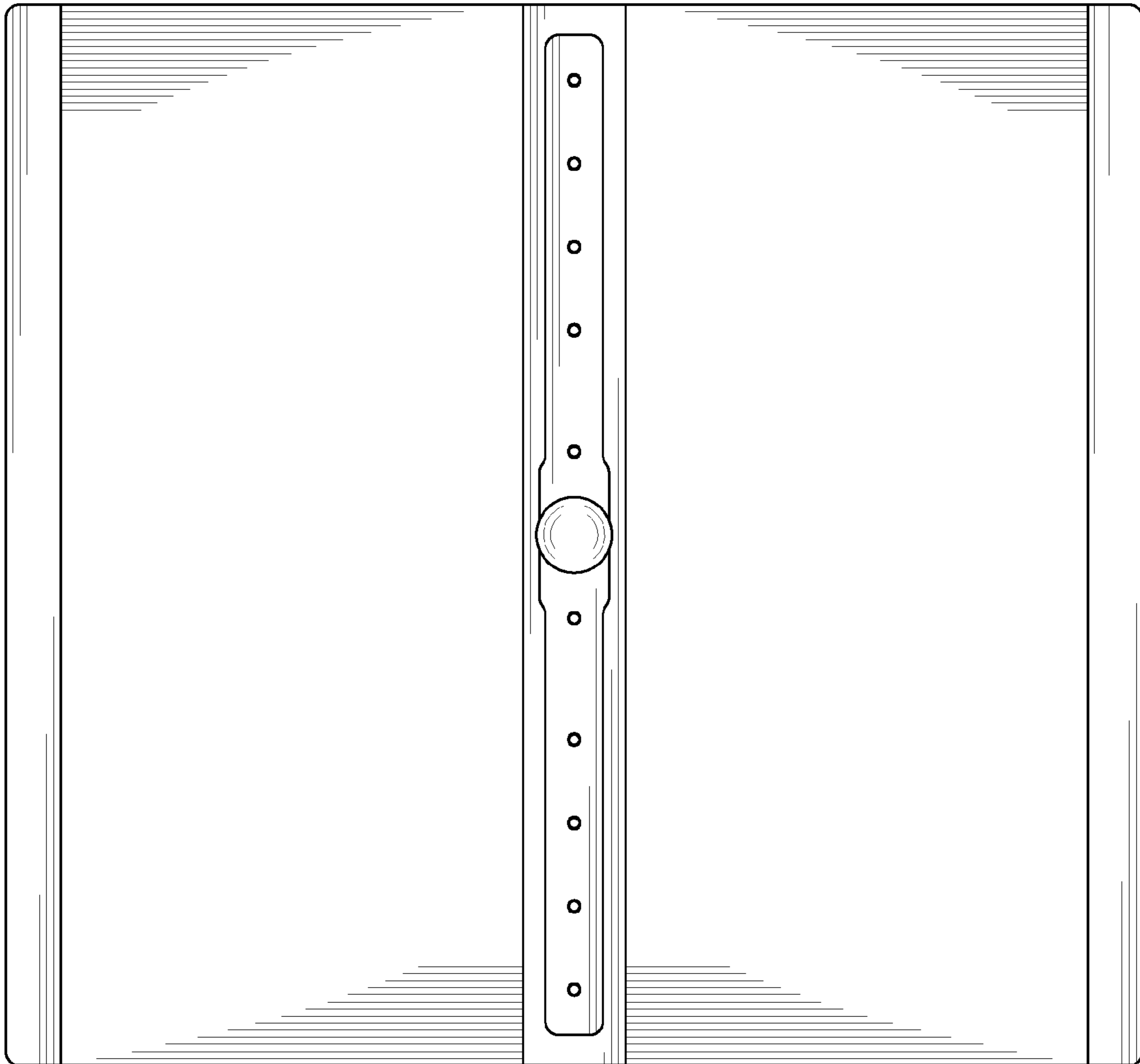


FIG. 6

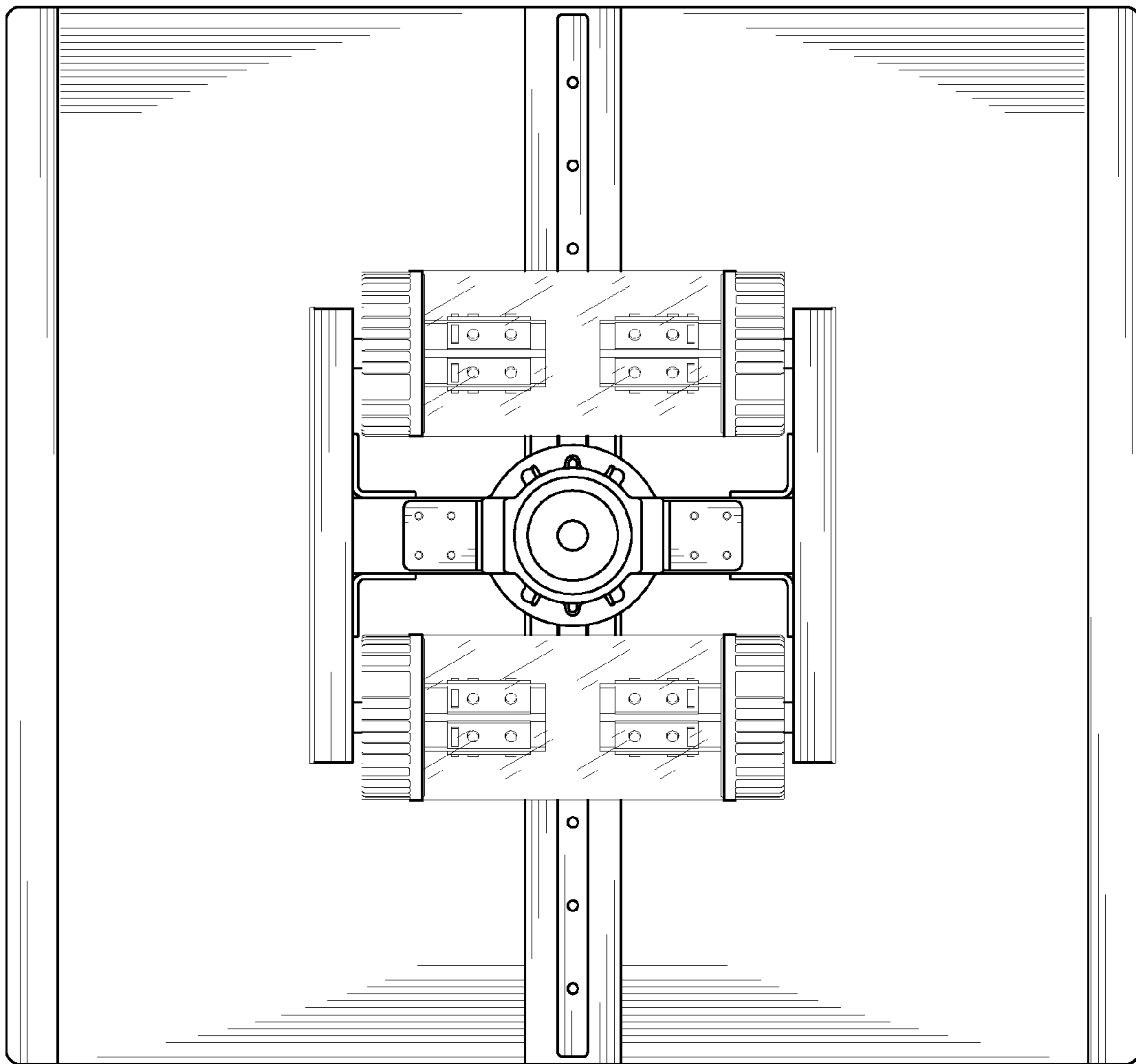


FIG. 7