



US00D609835S

(12) **United States Design Patent**  
**Chen et al.**

(10) **Patent No.:** **US D609,835 S**  
(45) **Date of Patent:** **\*\* Feb. 9, 2010**

(54) **ILLUMINATION DEVICE**

(75) Inventors: **Ping-Yu Chen**, Miao-Li Hsien (TW);  
**Zheng-Jay Huang**, Miao-Li Hsien  
(TW); **Nai-Wen Zhang**, Miao-Li Hsien  
(TW); **Ying-Chieh Lu**, Miao-Li Hsien  
(TW); **Hsin-Fei Huang**, Miao-Li Hsien  
(TW); **Kuo-Mang Lo**, Miao-Li Hsien  
(TW); **Chih-Ming Lai**, Miao-Li Hsien  
(TW)

(73) Assignee: **Foxsemicon Integrated Technology,  
Inc.**, Chu-Nan, Miao-Li Hsien (TW)

(\*\*) Term: **14 Years**

(21) Appl. No.: **29/339,789**

(22) Filed: **Jul. 8, 2009**

(30) **Foreign Application Priority Data**

Mar. 19, 2009 (CN) ..... 2009 3 0301492

(51) **LOC (9) Cl.** ..... **26-05**

(52) **U.S. Cl.** ..... **D26/59**

(58) **Field of Classification Search** ..... D23/411,  
D23/377, 379, 385; D26/59, 51, 72, 81-86,  
D26/88; 416/5; 362/96

See application file for complete search history.

(56) **References Cited**

U.S. PATENT DOCUMENTS

D595,004 S \* 6/2009 Pan ..... D26/59

\* cited by examiner

*Primary Examiner*—Lisa P Lichtenstein  
(74) *Attorney, Agent, or Firm*—Raymond J. Chew

(57) **CLAIM**

The ornamental design for an illumination device, as shown.

**DESCRIPTION**

FIG. 1 is a perspective view of an illumination device showing our new design.

FIG. 2 is a front elevational view thereof.

FIG. 3 is a rear elevational view thereof.

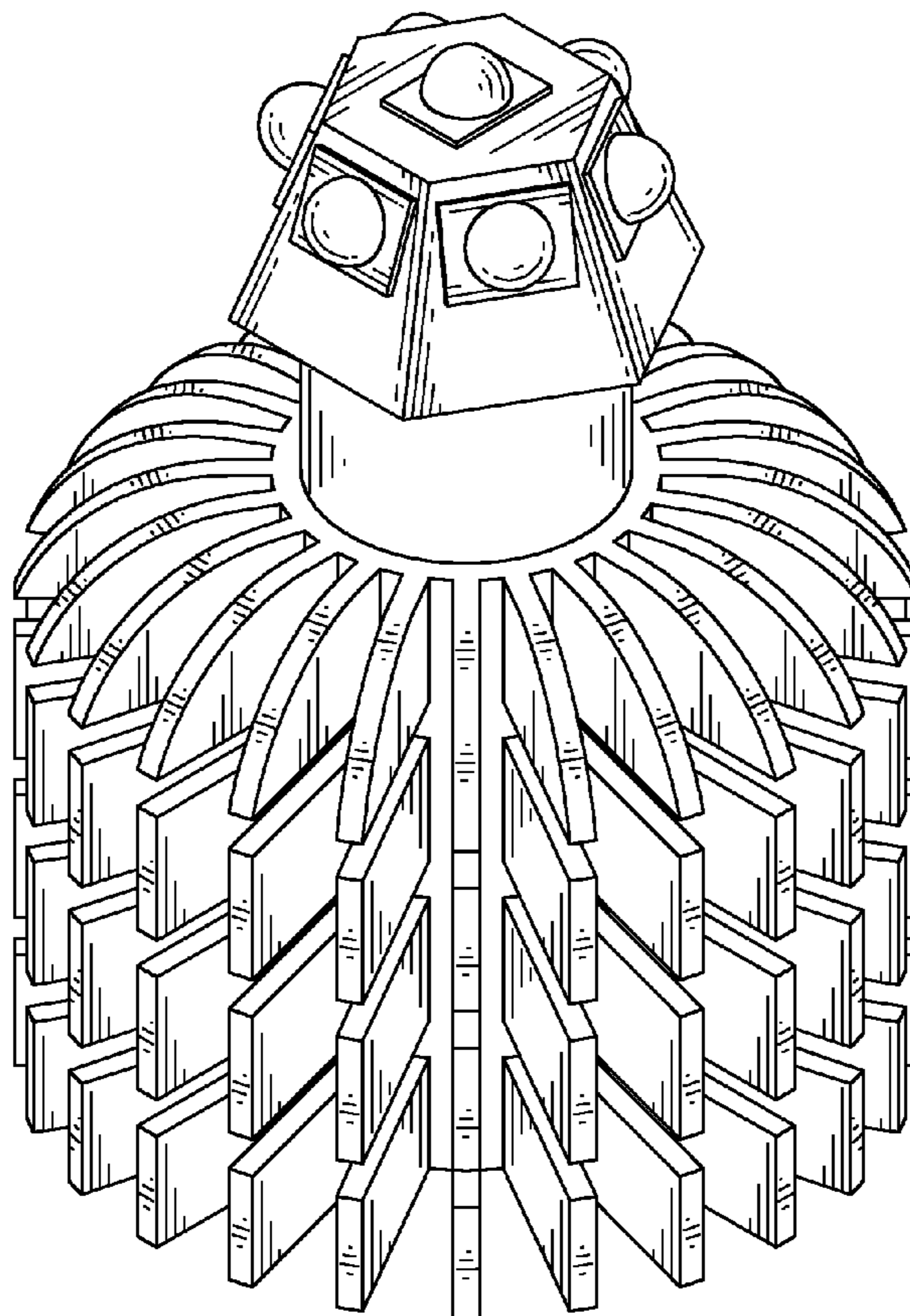
FIG. 4 is a left-side, elevational view thereof.

FIG. 5 is a right-side, elevational view thereof.

FIG. 6 is a top plan view thereof; and,

FIG. 7 is a bottom plan view thereof.

**1 Claim, 7 Drawing Sheets**



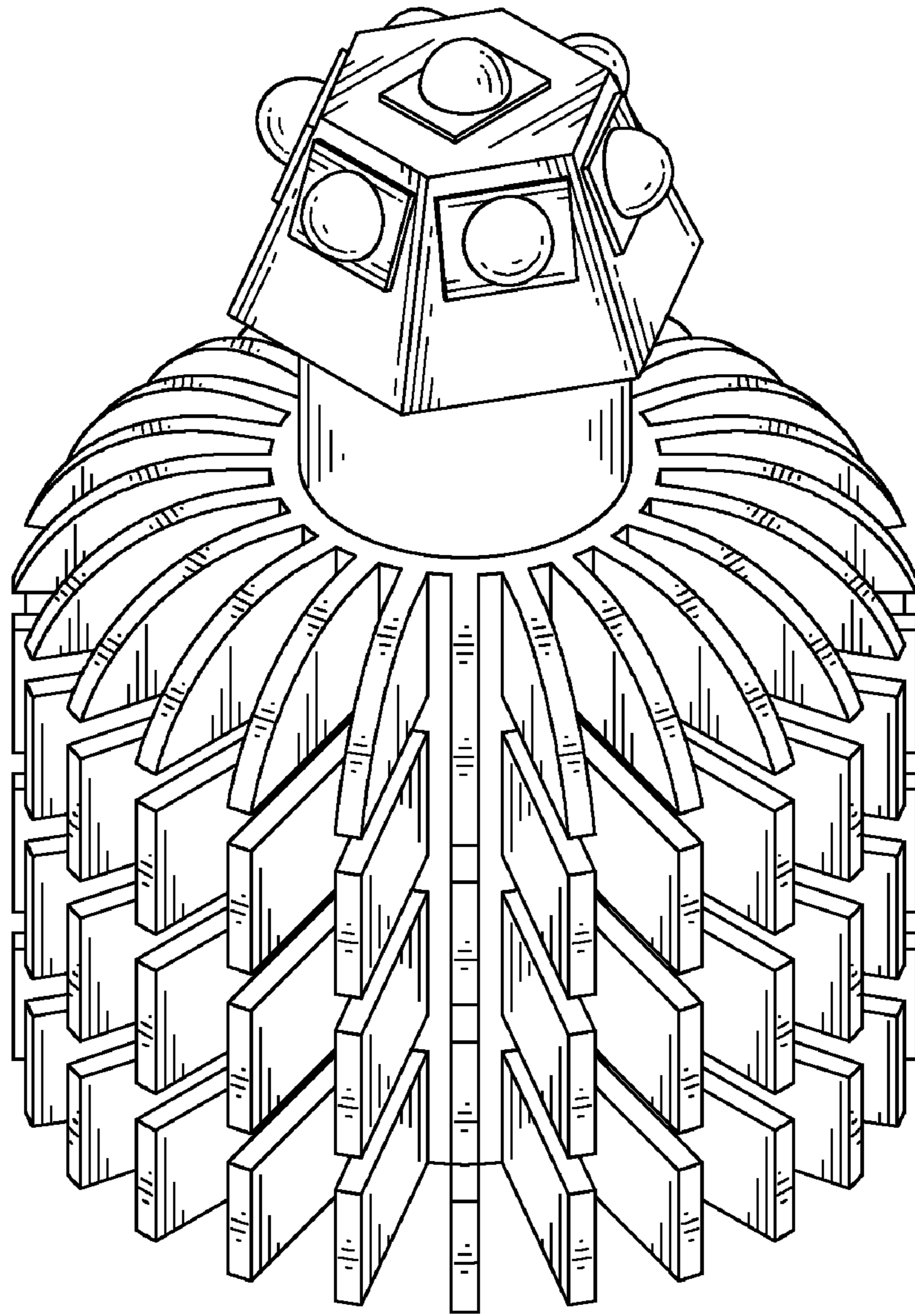


FIG. 1

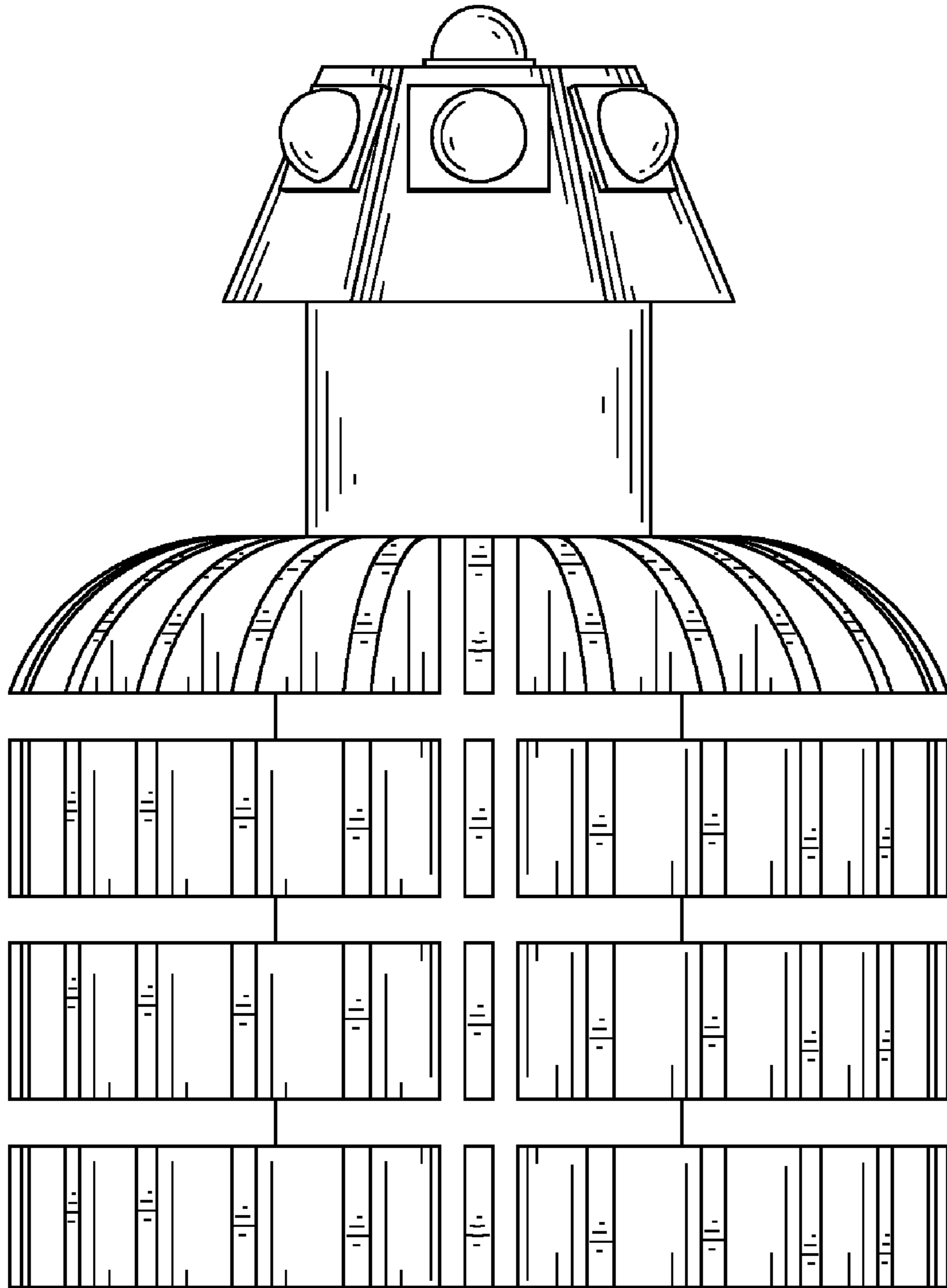


FIG. 2

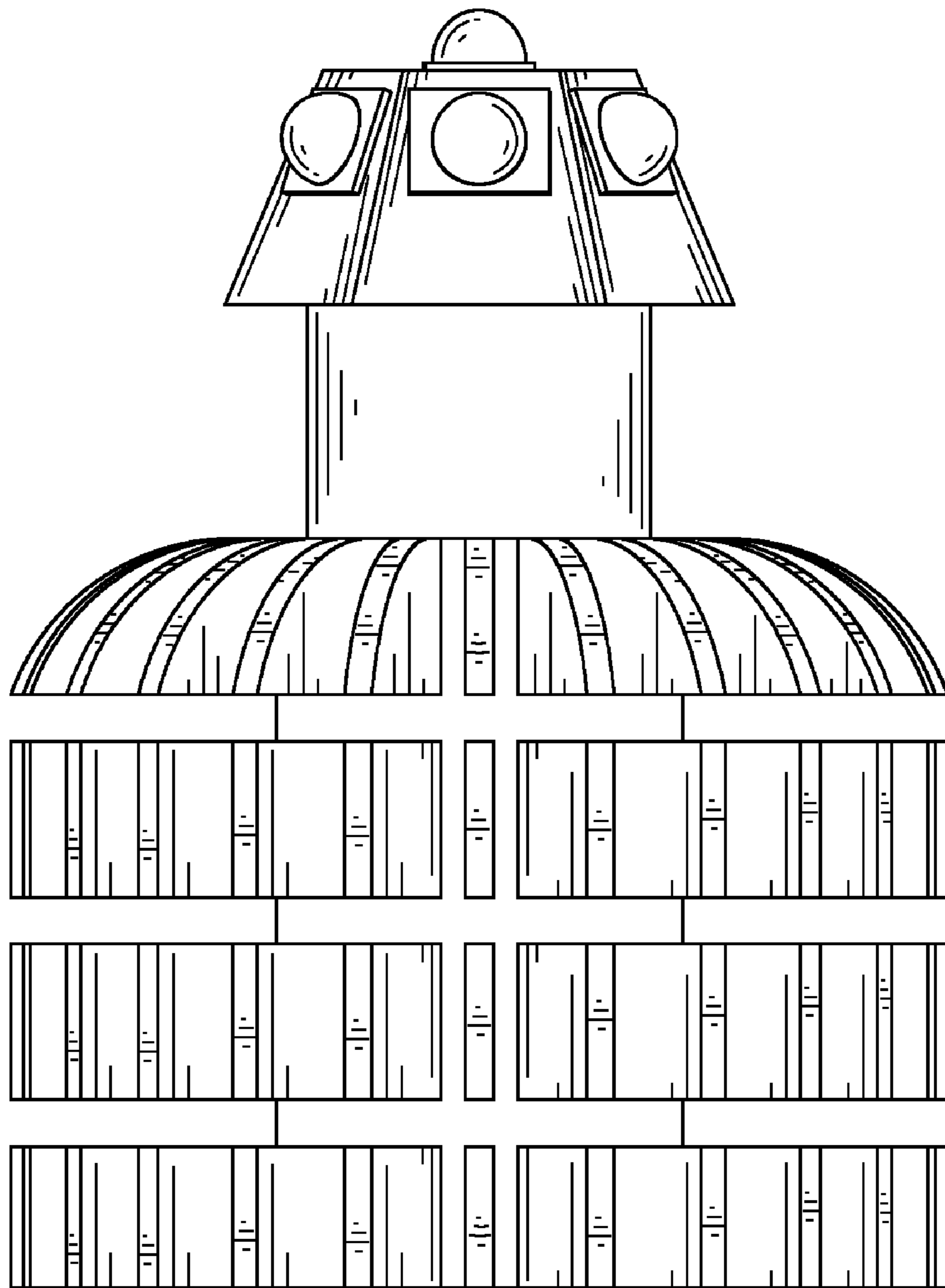


FIG. 3

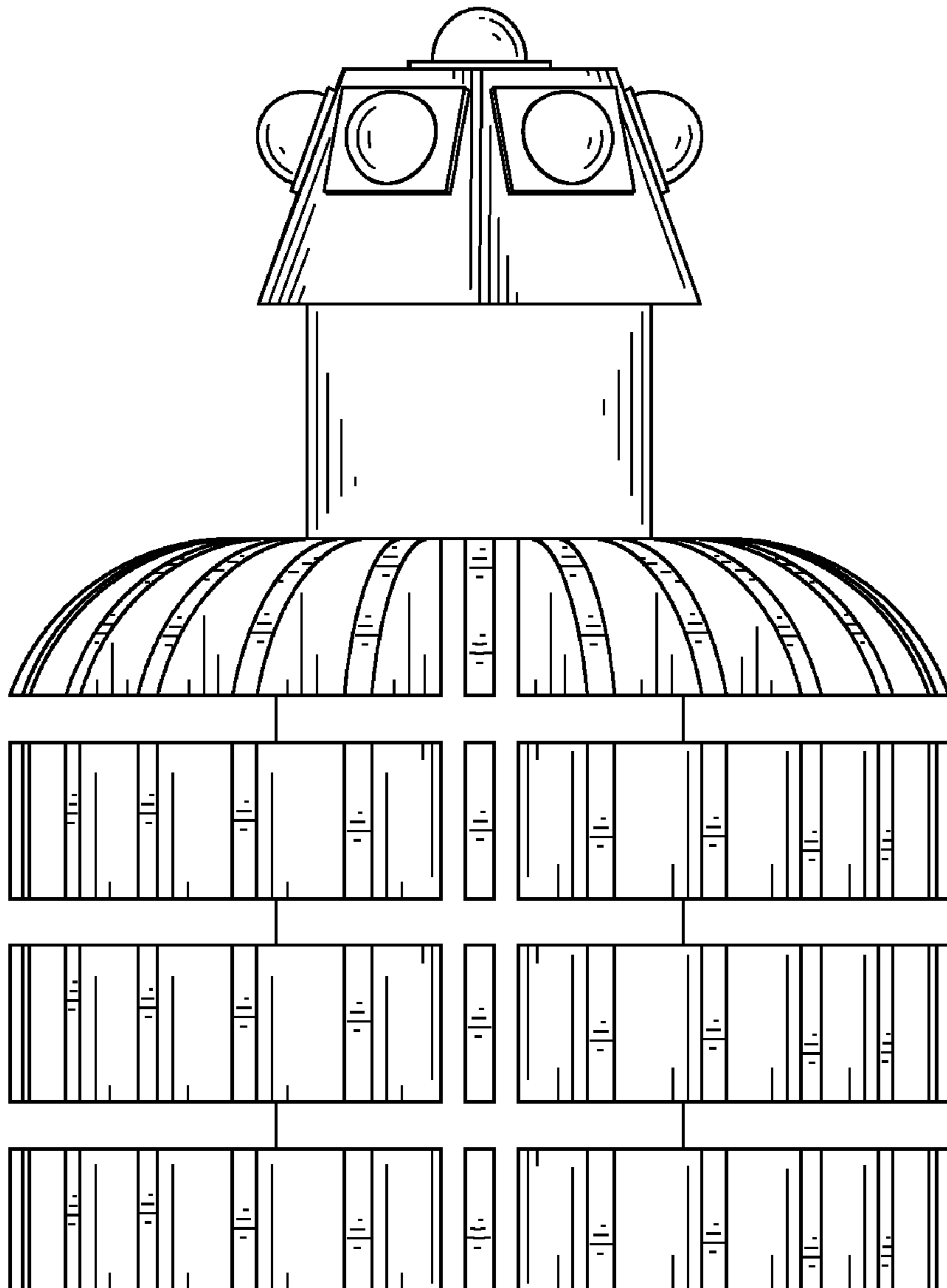


FIG. 4

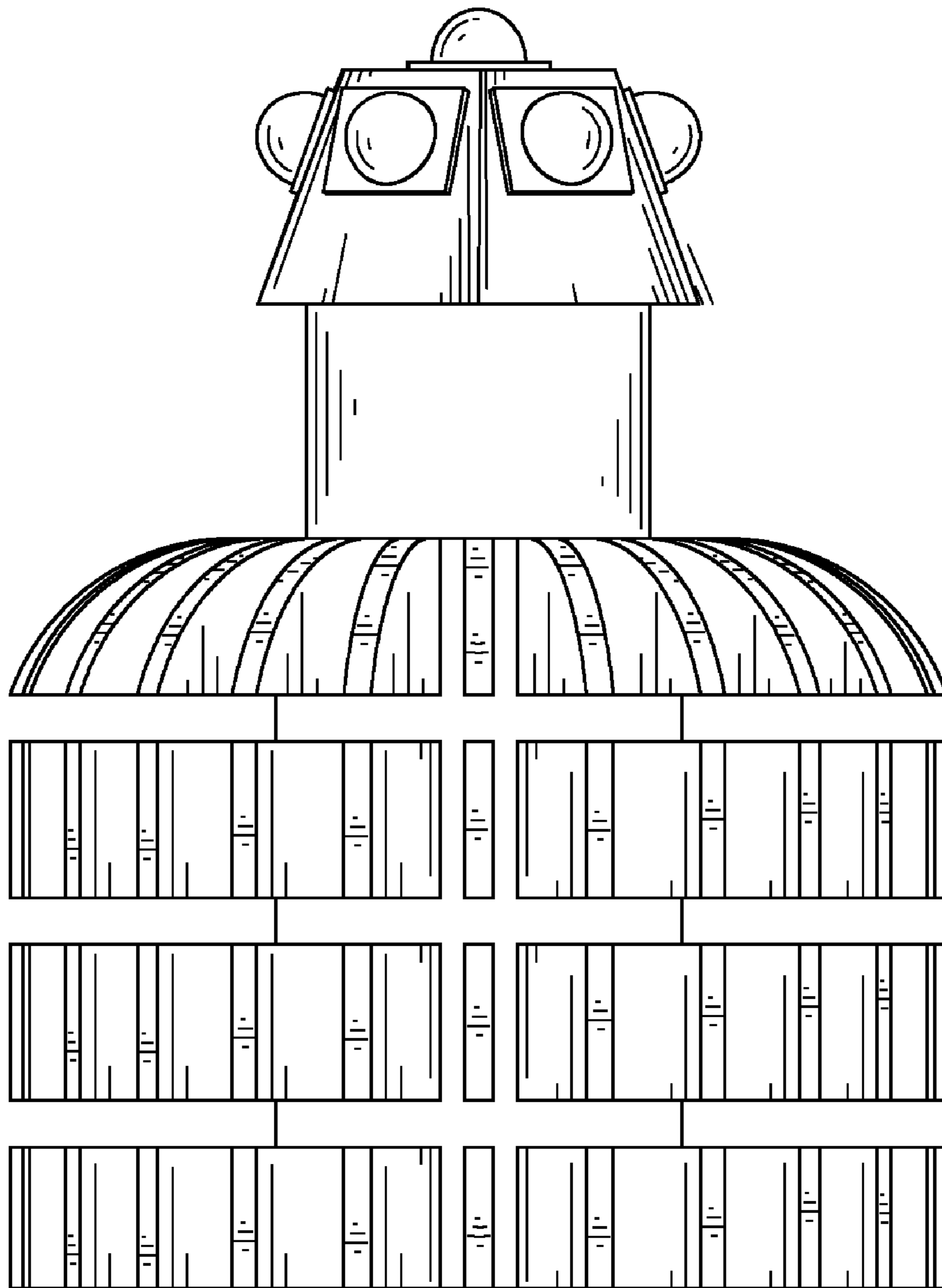


FIG. 5



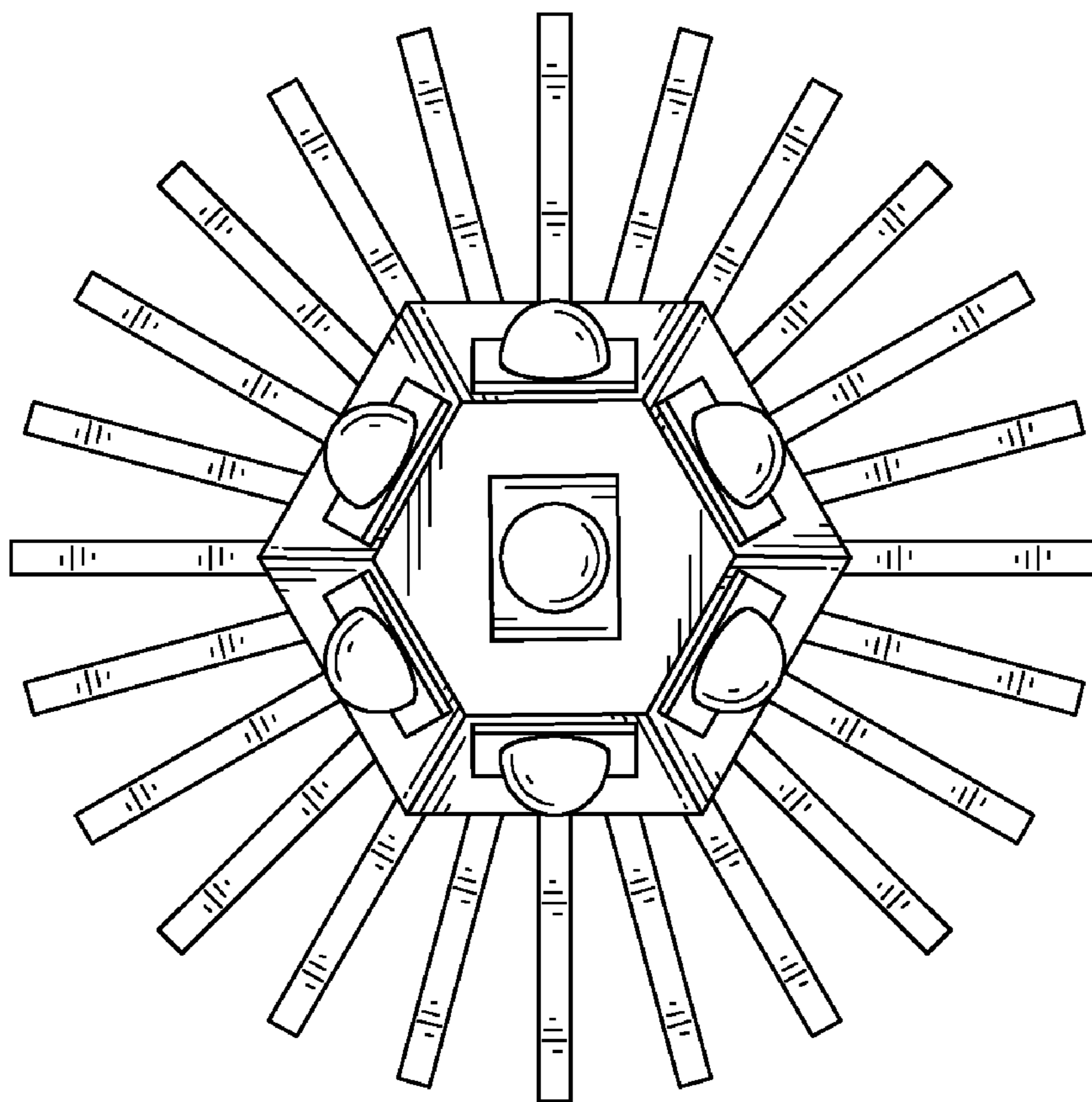


FIG. 6

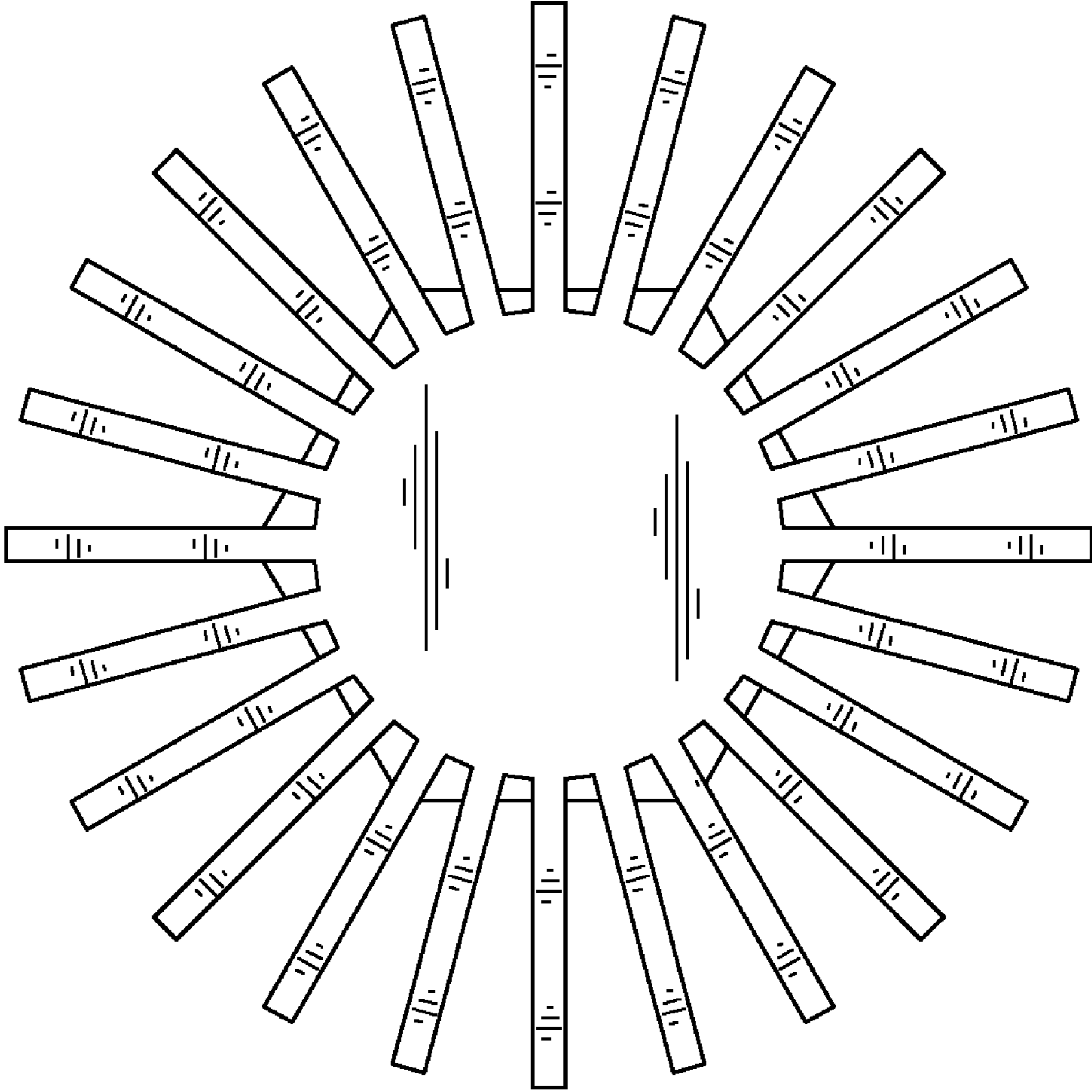


FIG. 7