



US00D609834S

(12) **United States Design Patent**
Shiu

(10) **Patent No.:** **US D609,834 S**

(45) **Date of Patent:** **** Feb. 9, 2010**

(54) **PORTABLE LIGHT SOURCE**

(75) **Inventor:** **Stephanie Wai Man Shiu, Kowloon (HK)**

(73) **Assignee:** **Gold Coral International Limited, San Po Kong, Kowloon (HK)**

(**) **Term:** **14 Years**

(21) **Appl. No.:** **29/338,083**

(22) **Filed:** **Jun. 4, 2009**

(30) **Foreign Application Priority Data**

Dec. 24, 2008 (HK) 0803056

(51) **LOC (9) Cl.** **26-02**

(52) **U.S. Cl.** **D26/39**

(58) **Field of Classification Search** D26/37,
D26/38, 39, 42, 43, 44, 46; 362/103, 105-108,
362/157, 158, 184, 187, 196-200, 207, 208
See application file for complete search history.

(56) **References Cited**

U.S. PATENT DOCUMENTS

- D445,930 S * 7/2001 Se Kit D26/39
- D503,817 S * 4/2005 Shiu D26/39
- D554,782 S * 11/2007 Shiu D26/39
- D556,927 S * 12/2007 Shiu D26/39

- D557,842 S * 12/2007 Lee D26/39
- D557,843 S * 12/2007 Hillard D26/39
- D566,310 S * 4/2008 Alessio D26/39
- D568,510 S * 5/2008 Shiu D26/39
- D575,888 S * 8/2008 Shiu D26/39
- D579,133 S * 10/2008 Shiu D26/39

* cited by examiner

Primary Examiner—Ian Simmons

Assistant Examiner—Carissa C Fitts

(74) *Attorney, Agent, or Firm*—Joseph G. Swan, PC

(57) **CLAIM**

The ornamental design for a portable light source, as shown and described.

DESCRIPTION

FIG. 1 is a front elevational view of a portable light source according to the present invention.

FIG. 2 is a rear elevational view of the portable light source.

FIG. 3 is a top plan view of the portable light source.

FIG. 4 is a bottom plan view of the portable light source.

FIG. 5 is a right side elevational view of the portable light source; and,

FIG. 6 is a left side elevational view of the portable light source.

1 Claim, 3 Drawing Sheets

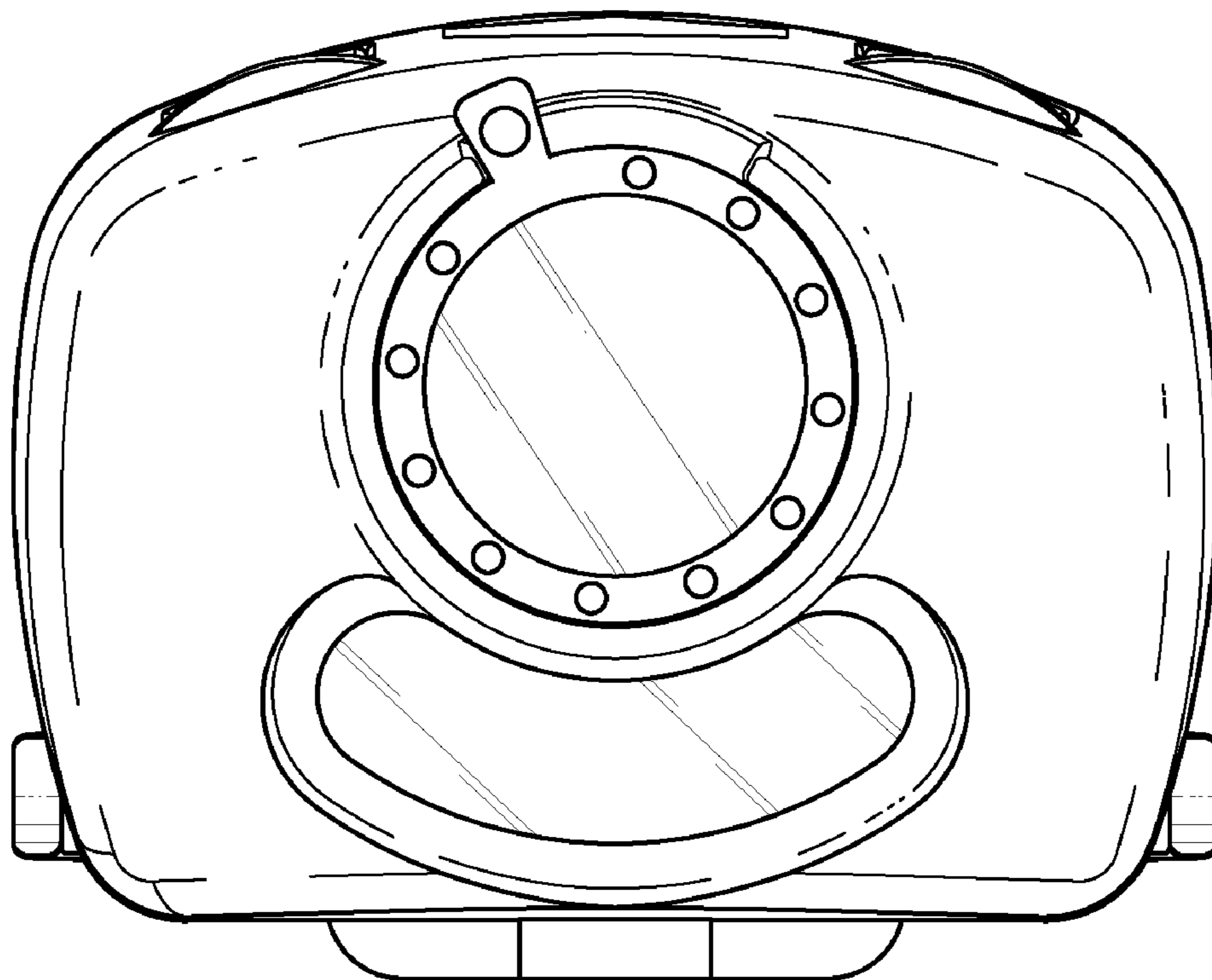


FIG. 1

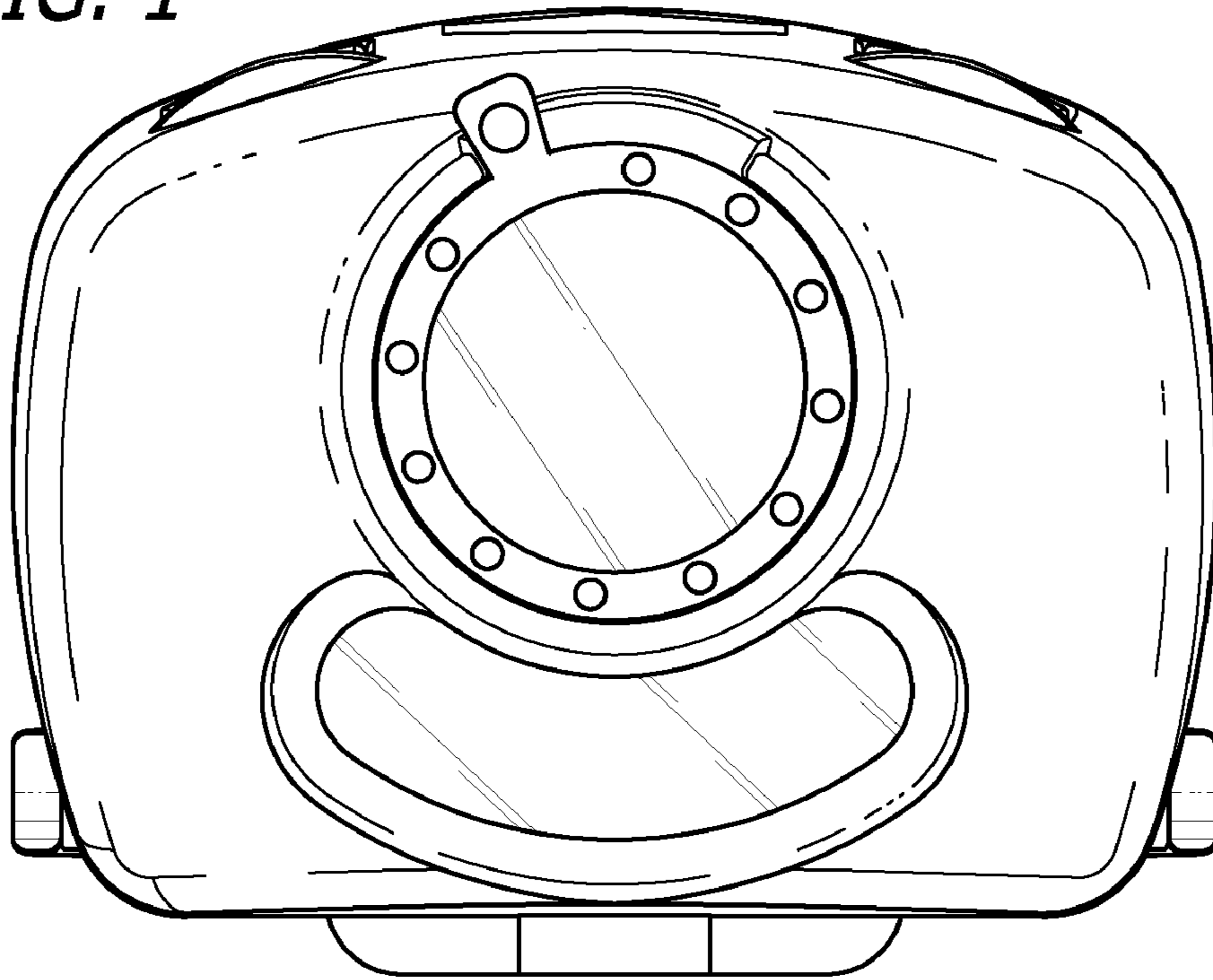


FIG. 2

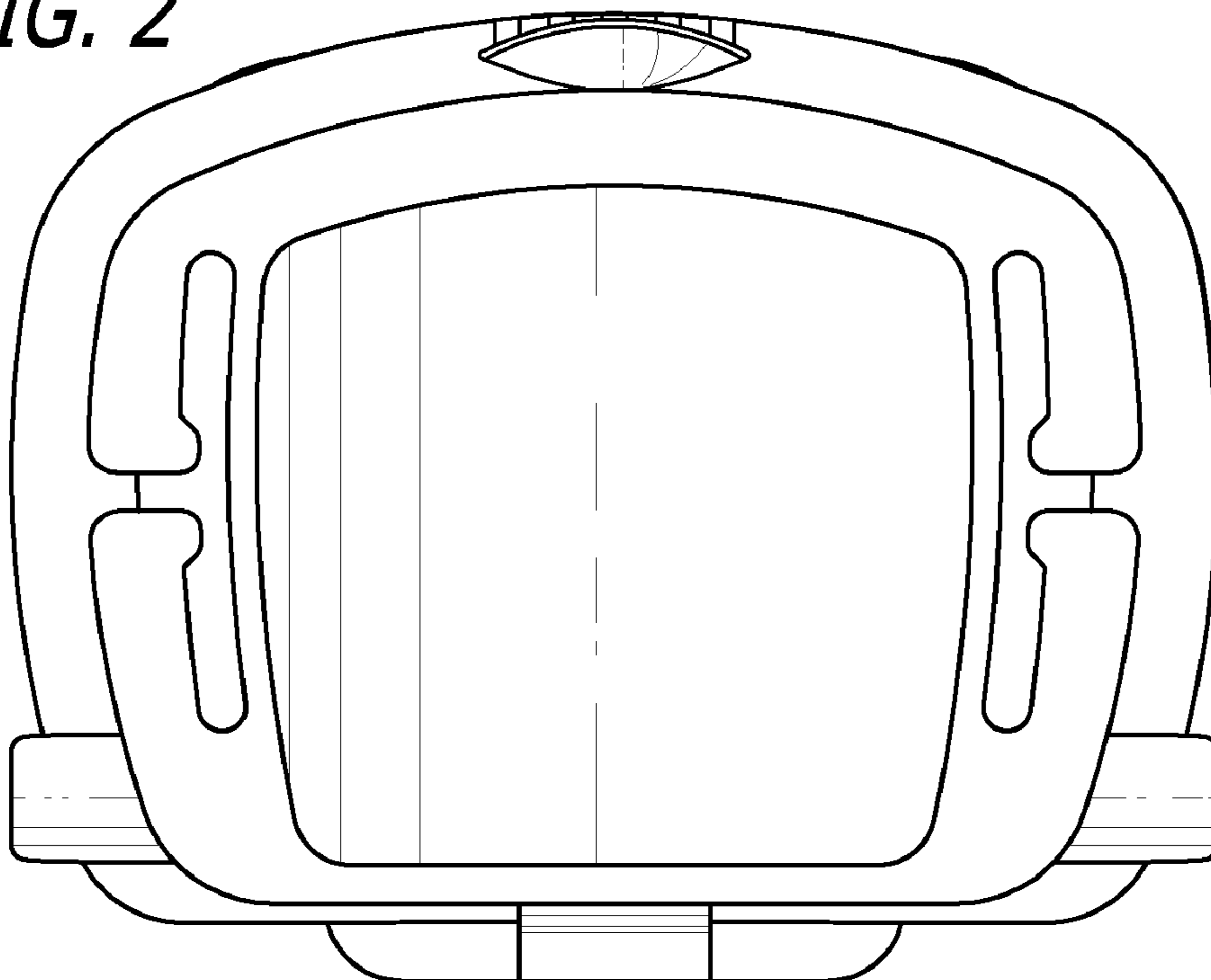


FIG. 3

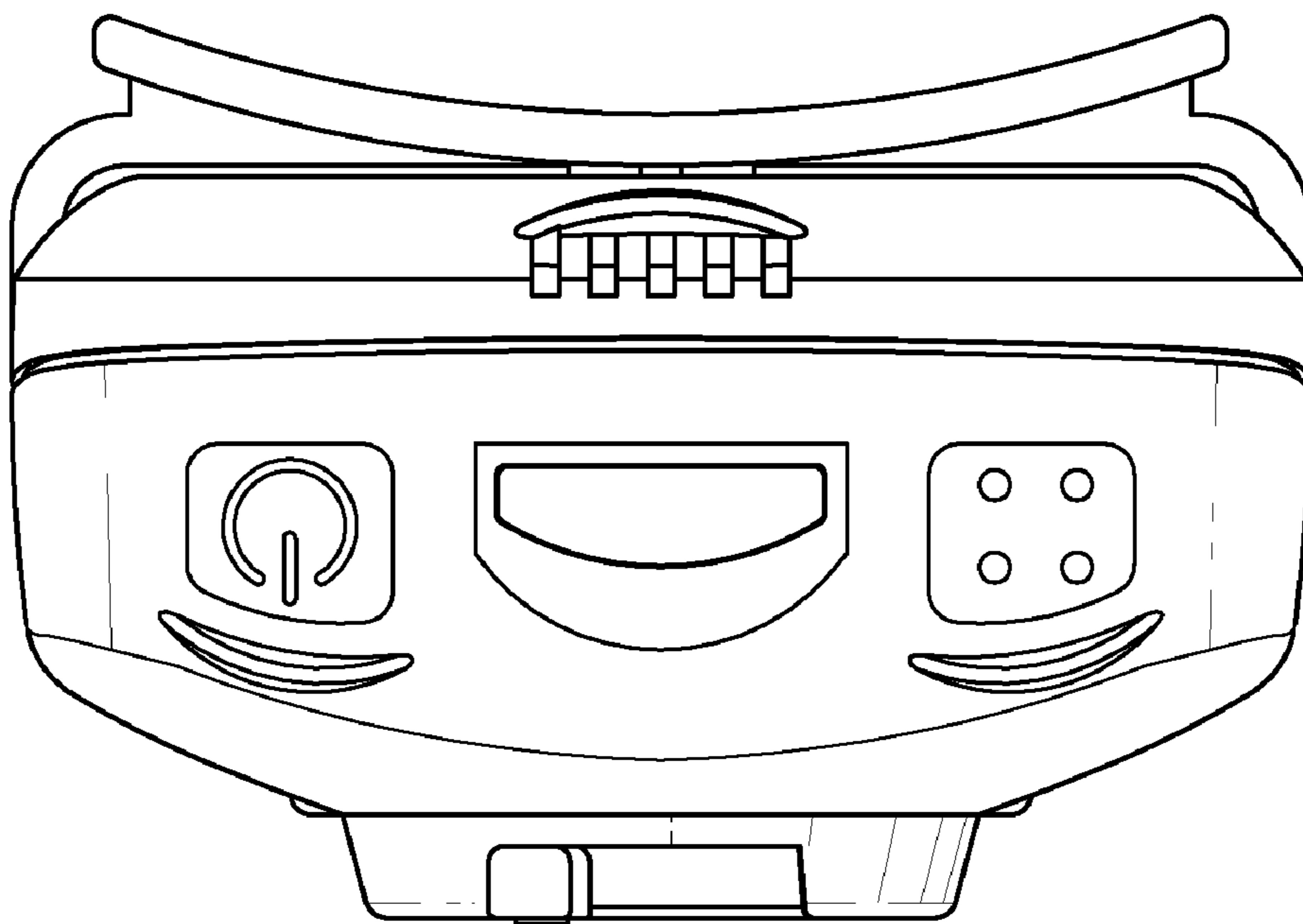


FIG. 4

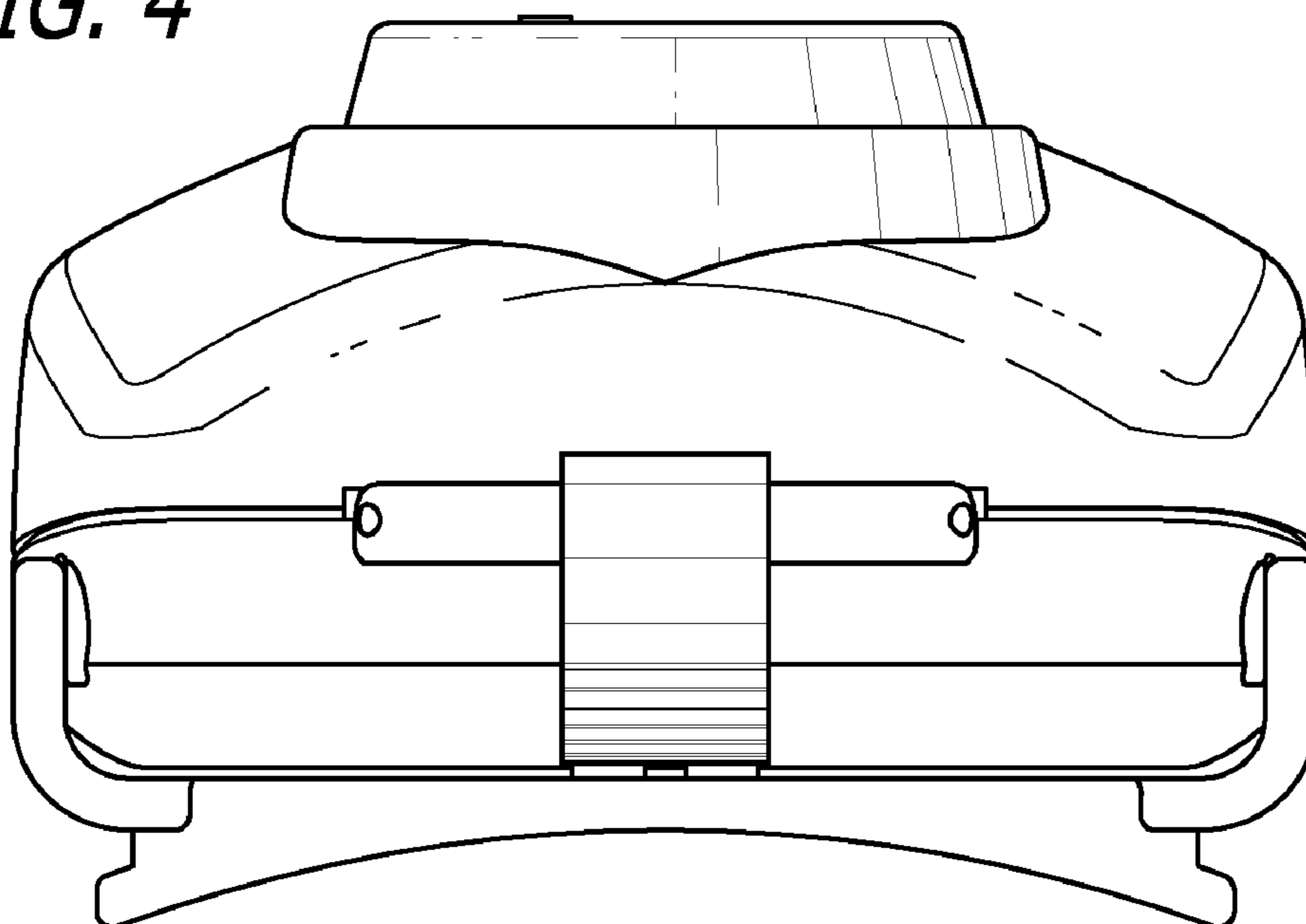


FIG. 5

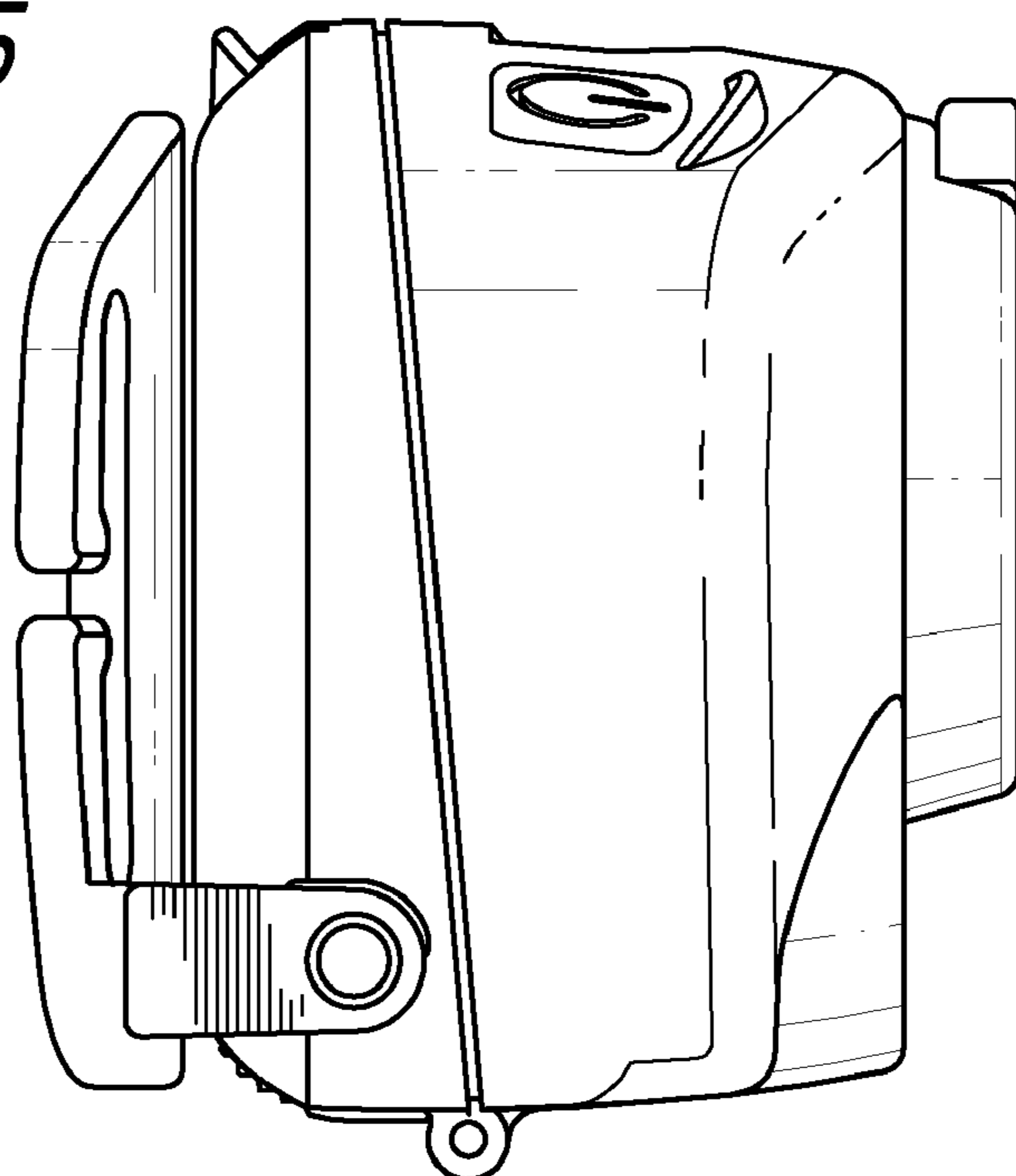


FIG. 6

