



US00D609833S

(12) **United States Design Patent**  
**Wu**

(10) **Patent No.:** **US D609,833 S**

(45) **Date of Patent:** **\*\* Feb. 9, 2010**

(54) **VEHICLE LIGHT HOUSING**

D565,211 S \* 3/2008 Haller et al. .... D26/28  
D570,015 S \* 5/2008 Hsu ..... D26/28  
D574,524 S \* 8/2008 Tomatsu ..... D26/28

(75) Inventor: **Hua-Chi Wu**, Tainan (TW)

(73) Assignee: **Coplus Inc.**, Tainan Hsien (TW)

\* cited by examiner

(\*\*) Term: **14 Years**

*Primary Examiner*—Marcus A Jackson  
(74) *Attorney, Agent, or Firm*—Christie, Parker & Hale, LLP.

(21) Appl. No.: **29/342,898**

(57) **CLAIM**

(22) Filed: **Sep. 2, 2009**

The ornamental design for vehicle light housing, as shown and described.

(51) **LOC (9) Cl.** ..... **26-04**

(52) **U.S. Cl.** ..... **D26/28**

(58) **Field of Classification Search** ..... D26/28–36;  
362/459–468, 475–478, 485–487

**DESCRIPTION**

See application file for complete search history.

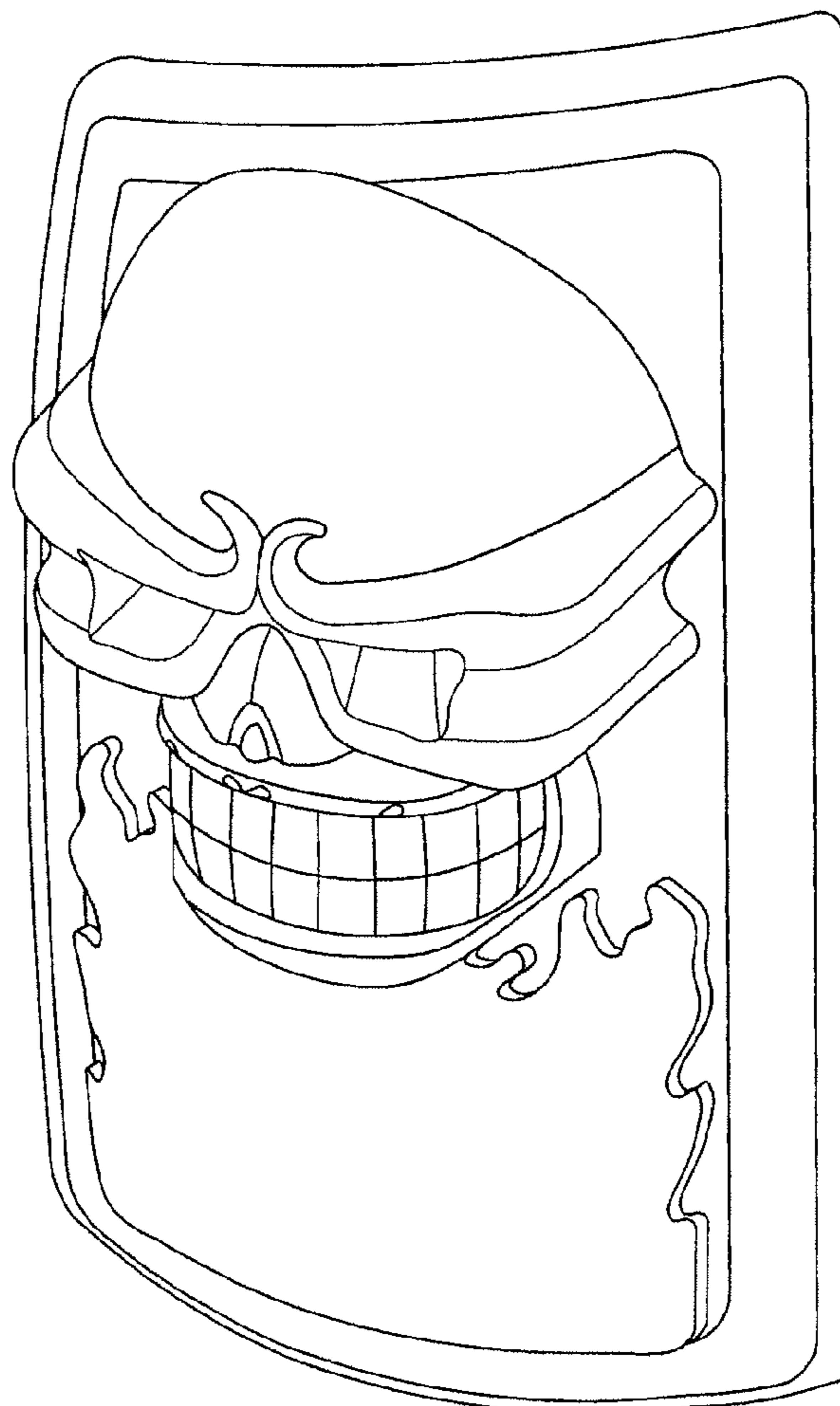
FIG. 1 is a perspective view of a vehicle light housing;  
FIG. 2 is a front end view thereof;  
FIG. 3 is a rear end view thereof;  
FIG. 4 is a left side view thereof;  
FIG. 5 is a right side view thereof;  
FIG. 6 is a top view thereof; and,  
FIG. 7 is a bottom view thereof.

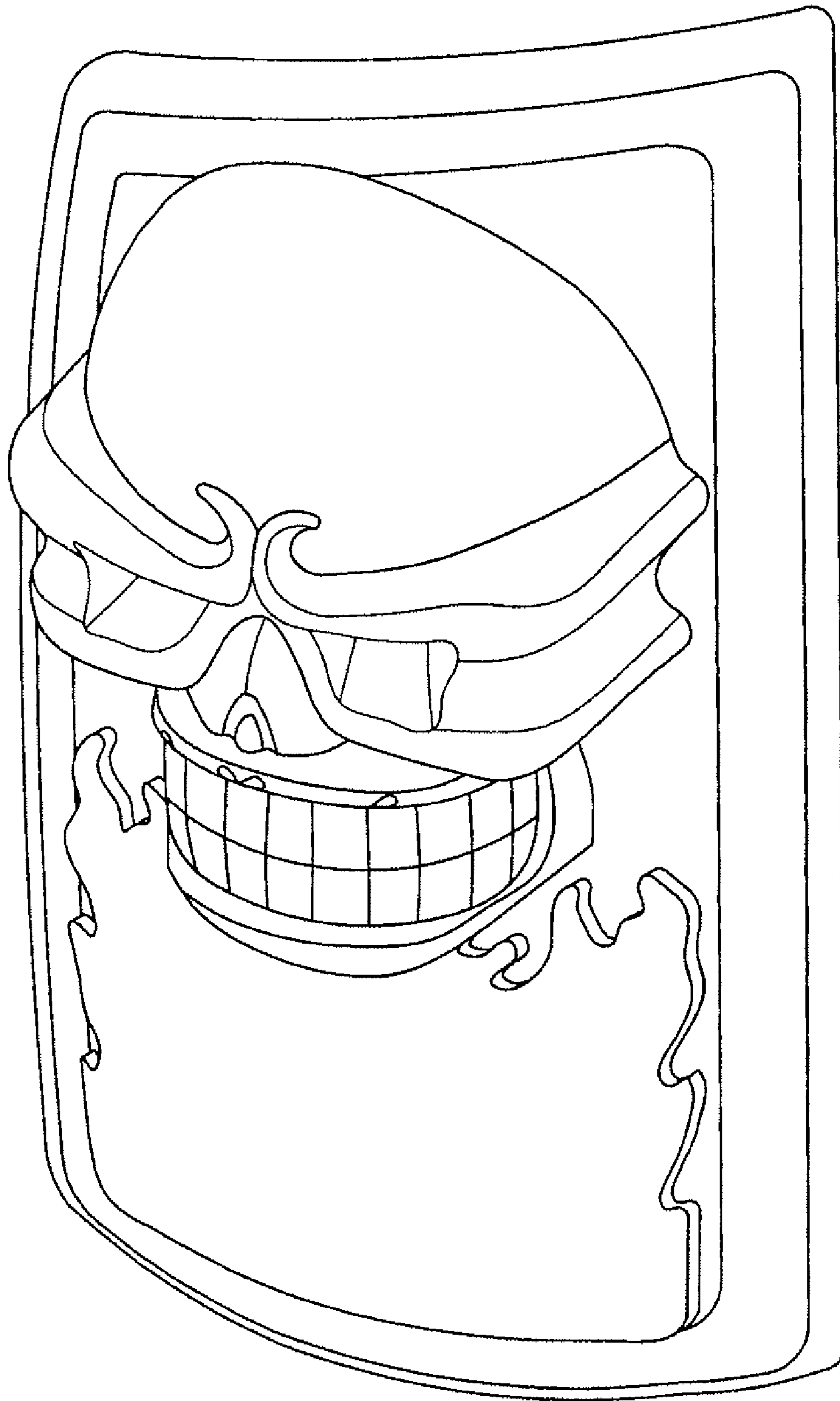
(56) **References Cited**

U.S. PATENT DOCUMENTS

D549,363 S \* 8/2007 Pfeiffer ..... D26/28  
D552,769 S \* 10/2007 Leclercq ..... D26/28  
D553,268 S \* 10/2007 Pfeiffer ..... D26/28  
D553,269 S \* 10/2007 Pfeiffer et al. .... D26/28  
D560,292 S \* 1/2008 Sato ..... D26/28  
D561,357 S \* 2/2008 Leclercq ..... D26/28

**1 Claim, 4 Drawing Sheets**





**FIG. 1**

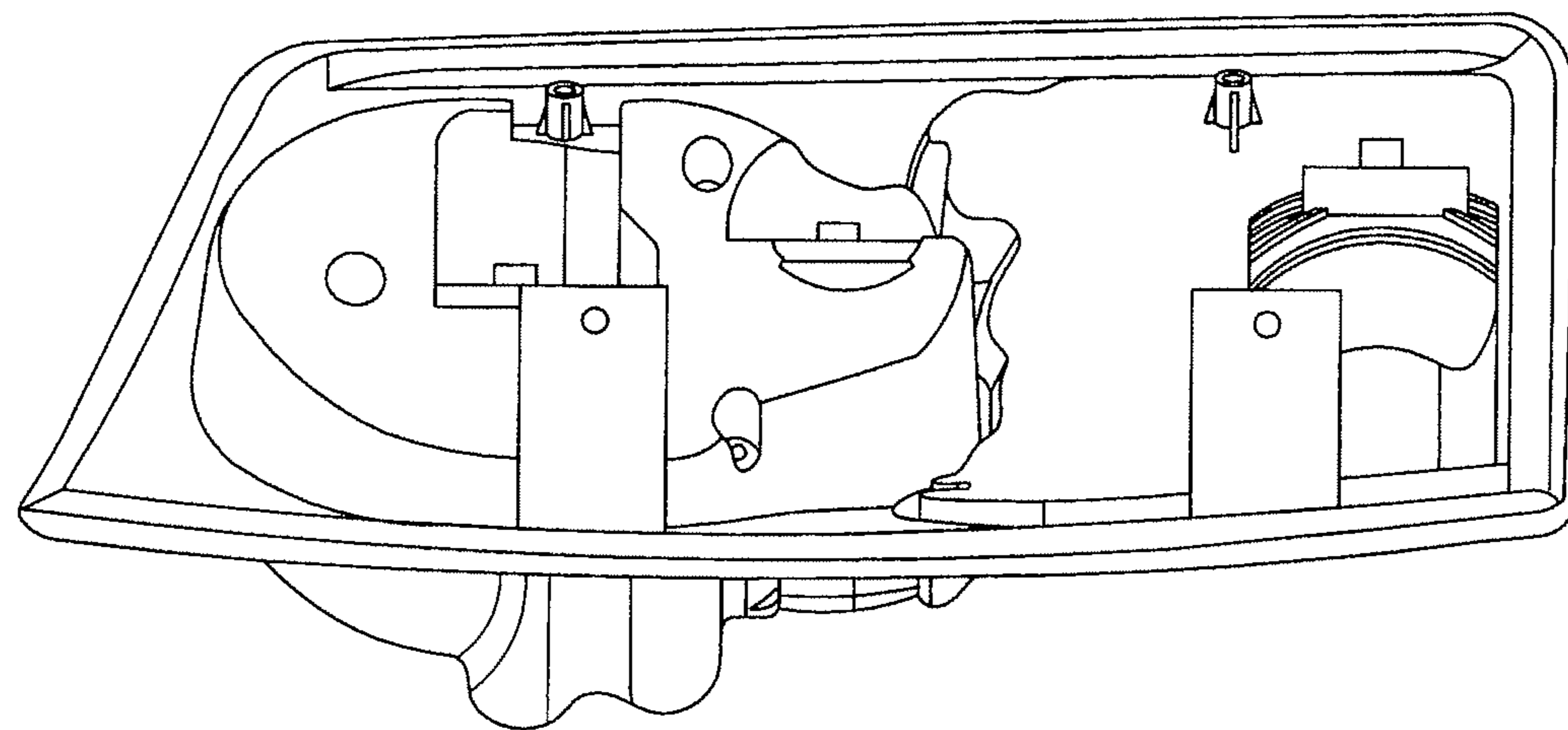


FIG. 3

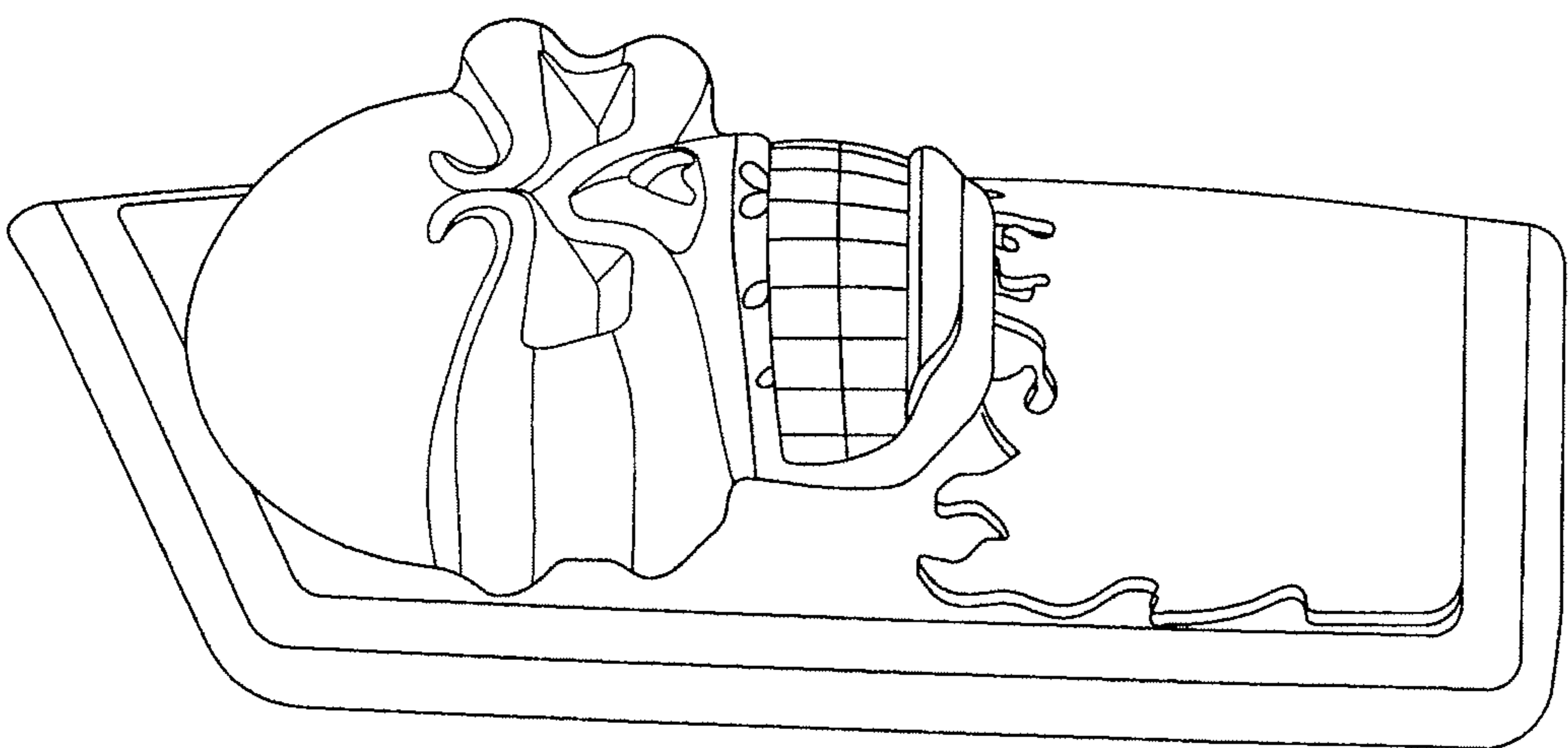


FIG. 2

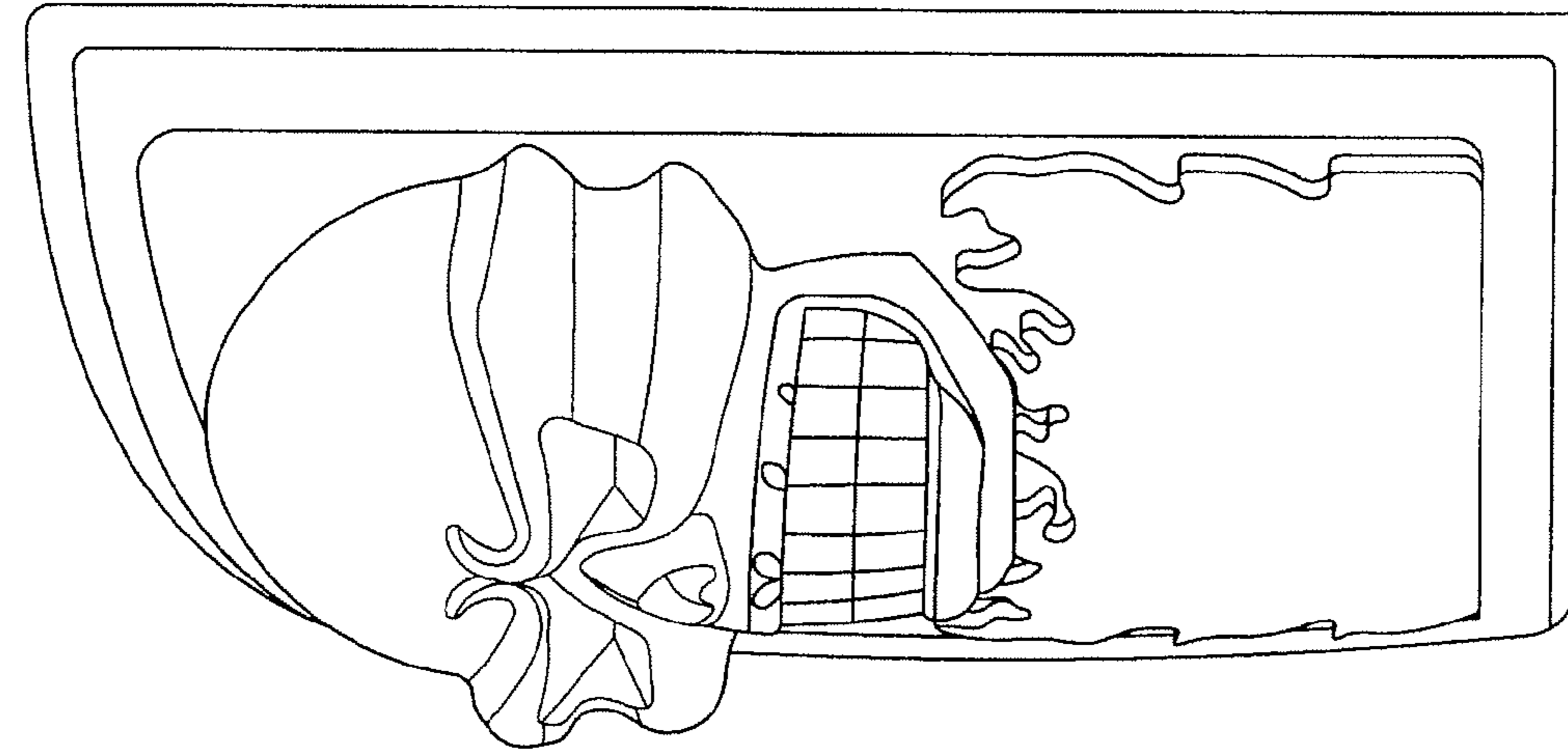


FIG. 5

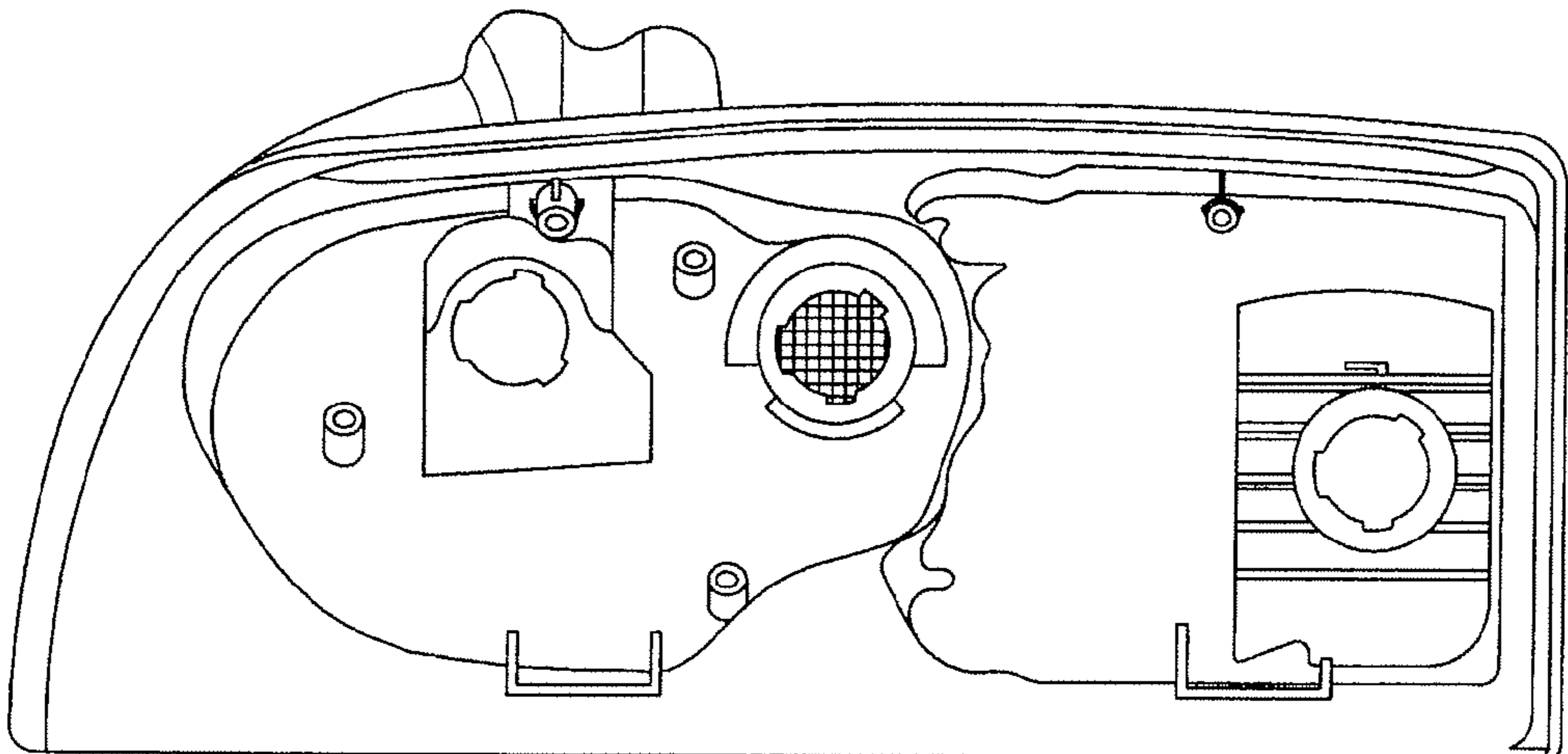


FIG. 4

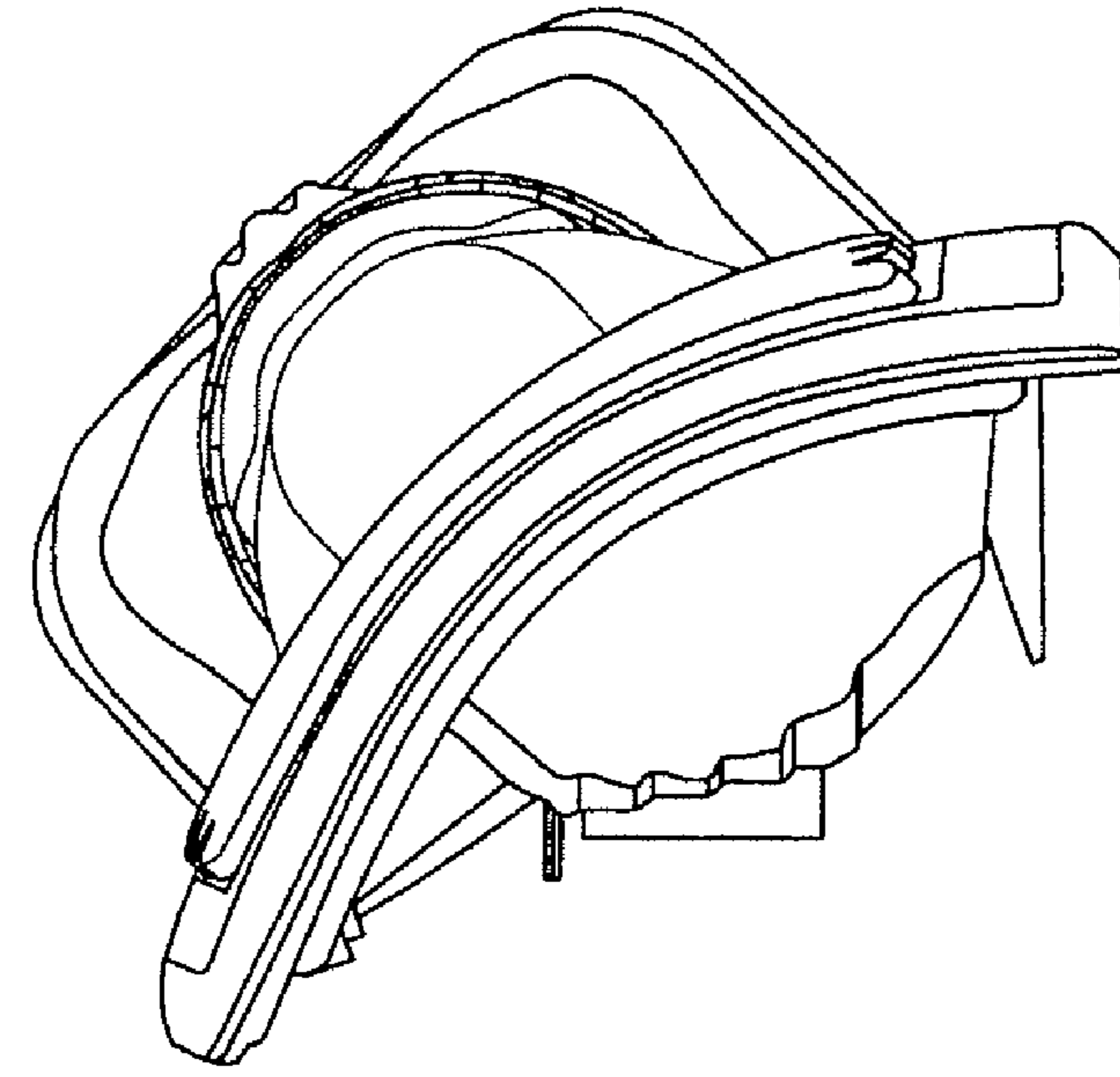


FIG. 6

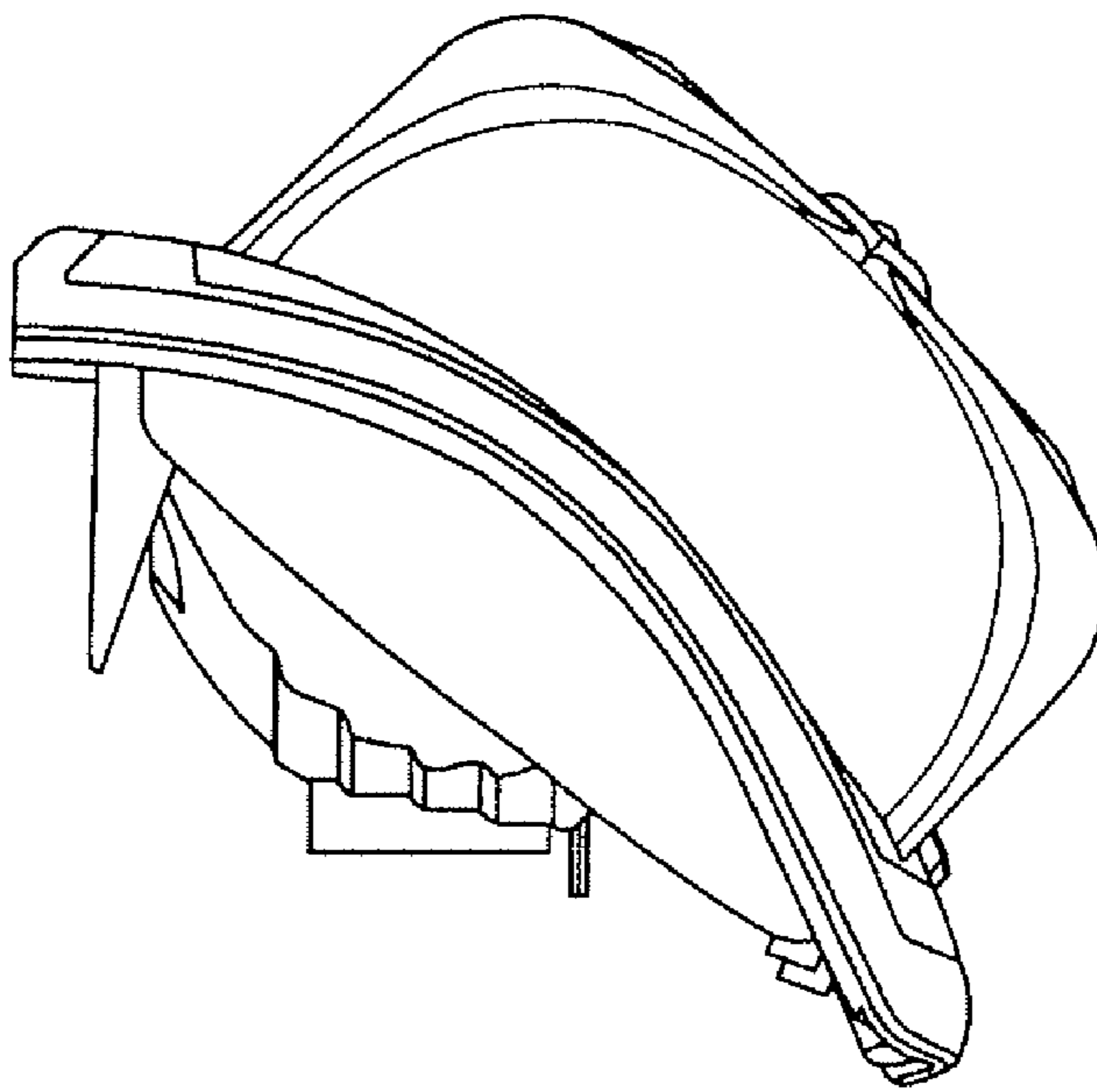


FIG. 7