

US00D609828S

(12) **United States Design Patent**
Chen et al.

(10) **Patent No.:** **US D609,828 S**
(45) **Date of Patent:** **** Feb. 9, 2010**

(54) **LIGHT EMITTING DIODE BULB**

D550,864 S * 9/2007 Hernandez et al. D26/2
D574,092 S * 7/2008 Sun D26/2

(75) Inventors: **Ping-Yu Chen**, Miao-Li Hsien (TW);
Ying-Chieh Lu, Miao-Li Hsien (TW);
Zheng-Jay Huang, Miao-Li Hsien
(TW); **Chien-Ting Lu**, Miao-Li Hsien
(TW); **Hsin-Fei Huang**, Miao-Li Hsien
(TW); **Yu-Shu Chen**, Miao-Li Hsien
(TW); **Shan-Ju Lin**, Miao-Li Hsien
(TW)

* cited by examiner

Primary Examiner—Marcus A Jackson
(74) *Attorney, Agent, or Firm*—Clifford O. Chi

(73) Assignee: **Foxsemicon Integrated Technology, Inc.**, Chu-Nan, Miao-Li Hsien (TW)

(57) **CLAIM**

The ornamental design for a light emitting diode bulb, as shown.

(**) Term: **14 Years**

(21) Appl. No.: **29/338,365**

DESCRIPTION

(22) Filed: **Jun. 10, 2009**

(30) **Foreign Application Priority Data**

Apr. 8, 2009 (CN) 2009 3 0302200

FIG. 1 is a perspective view of a light emitting diode bulb showing our new design.

(51) **LOC (9) Cl.** **26-04**

FIG. 2 is a front elevational view thereof.

(52) **U.S. Cl.** **D26/2**

FIG. 3 is a rear elevational view thereof.

(58) **Field of Classification Search** D26/1-4;

FIG. 4 is a left-side, elevational view thereof.

313/313, 315, 316, 317, 318, 493; 315/52,

FIG. 5 is a right-side, elevational view thereof.

315/53, 56, 57, 58

FIG. 6 is a top plan view thereof; and,

See application file for complete search history.

FIG. 7 is a bottom plan view thereof.

(56) **References Cited**

1 Claim, 7 Drawing Sheets

U.S. PATENT DOCUMENTS

D531,741 S * 11/2006 Takahashi D26/2
D548,369 S * 8/2007 Bembridge D26/2





FIG. 1

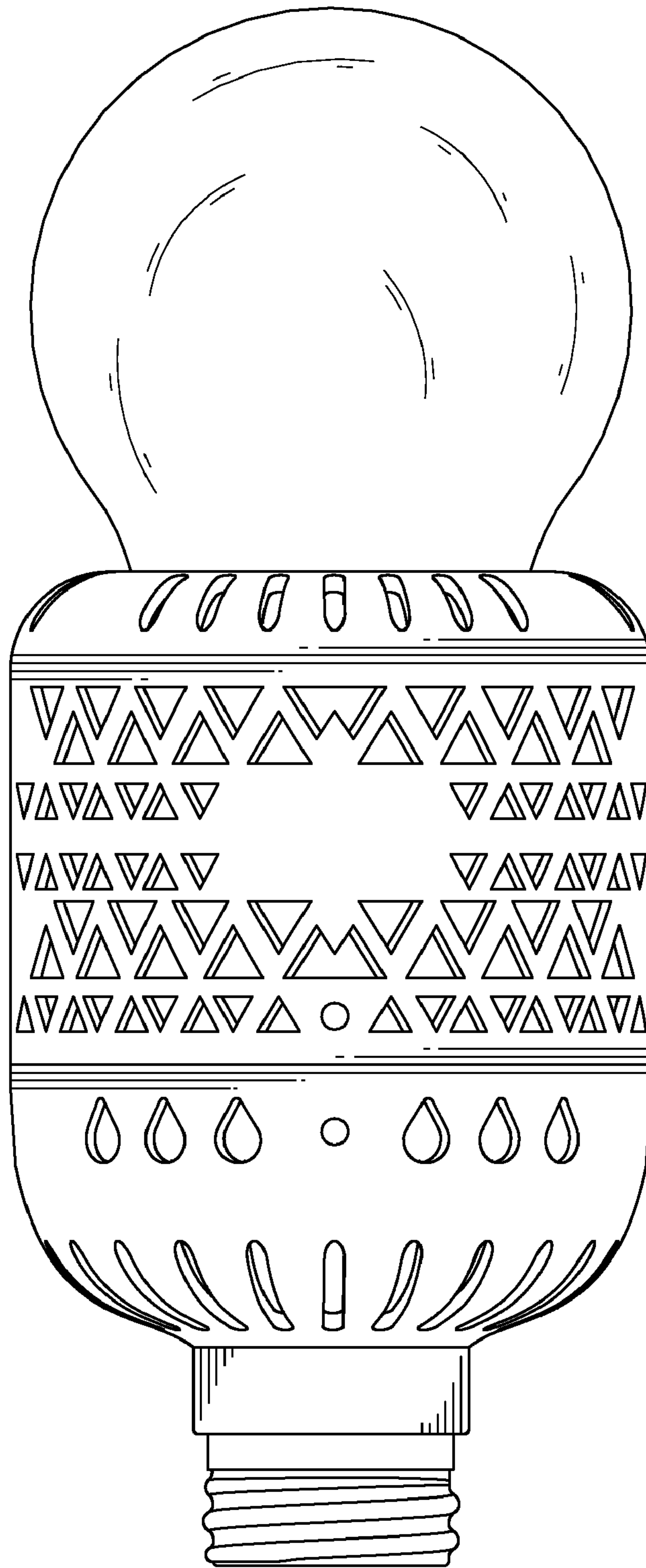


FIG. 2

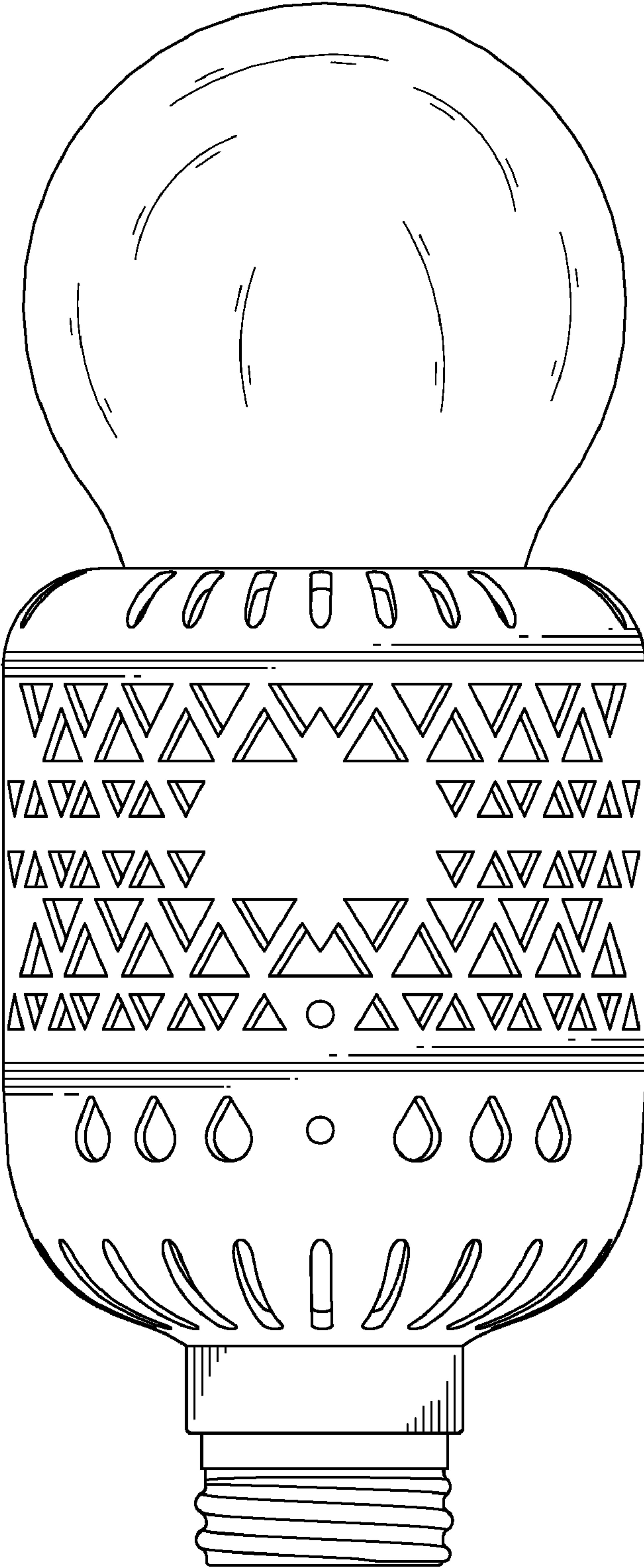


FIG. 3

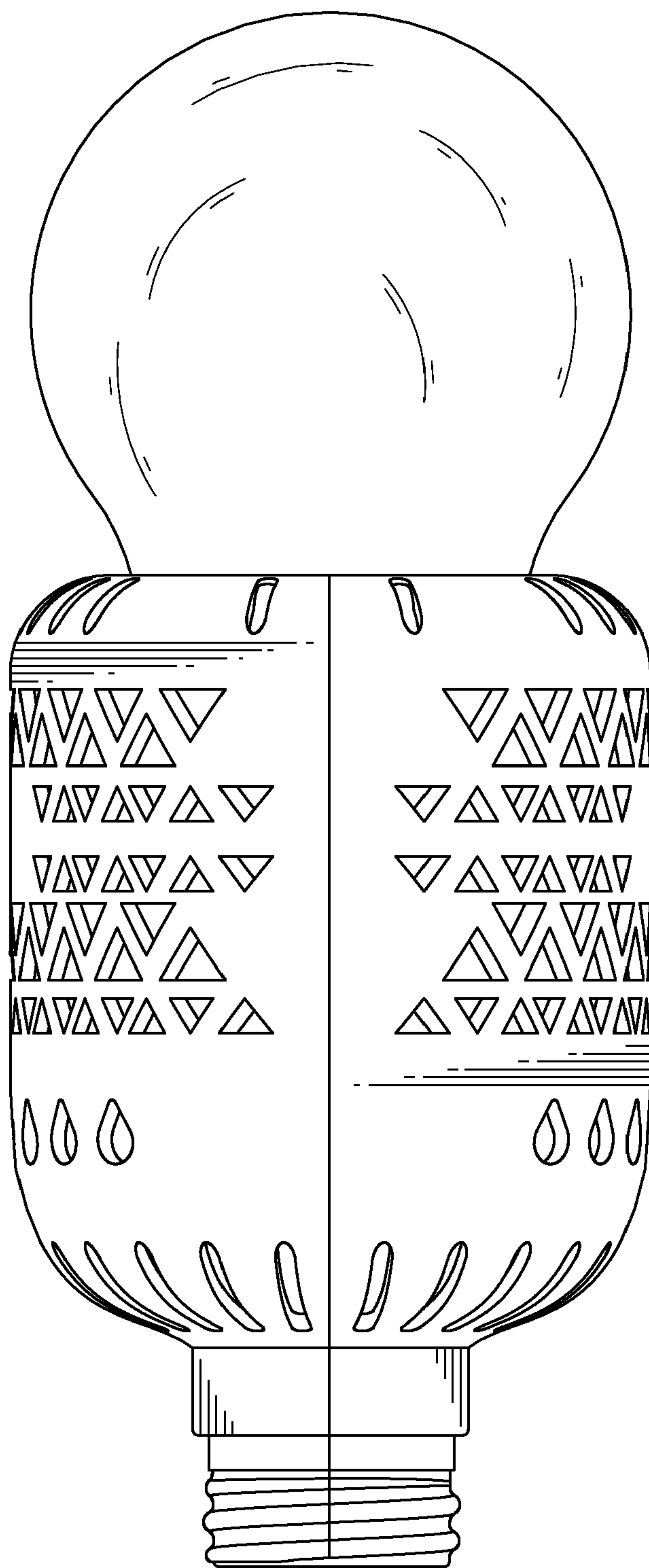


FIG. 4

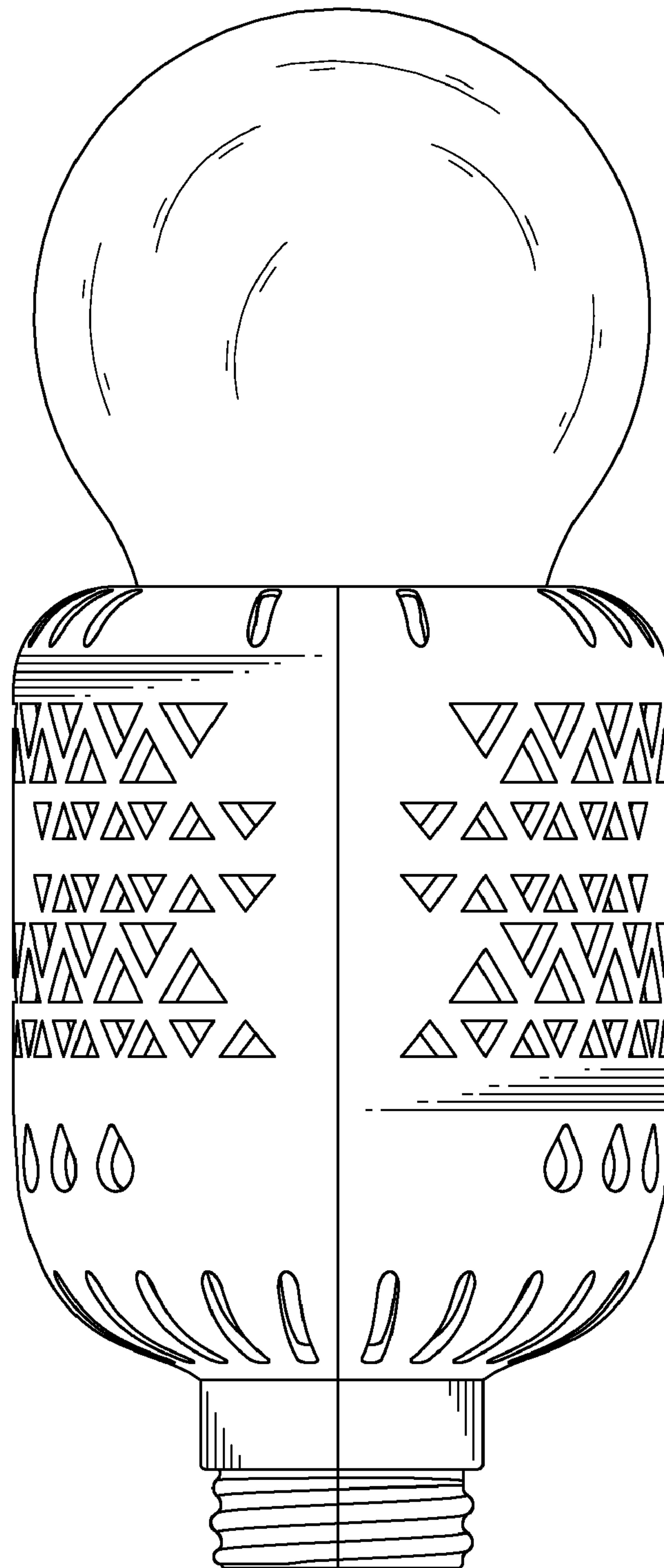


FIG. 5

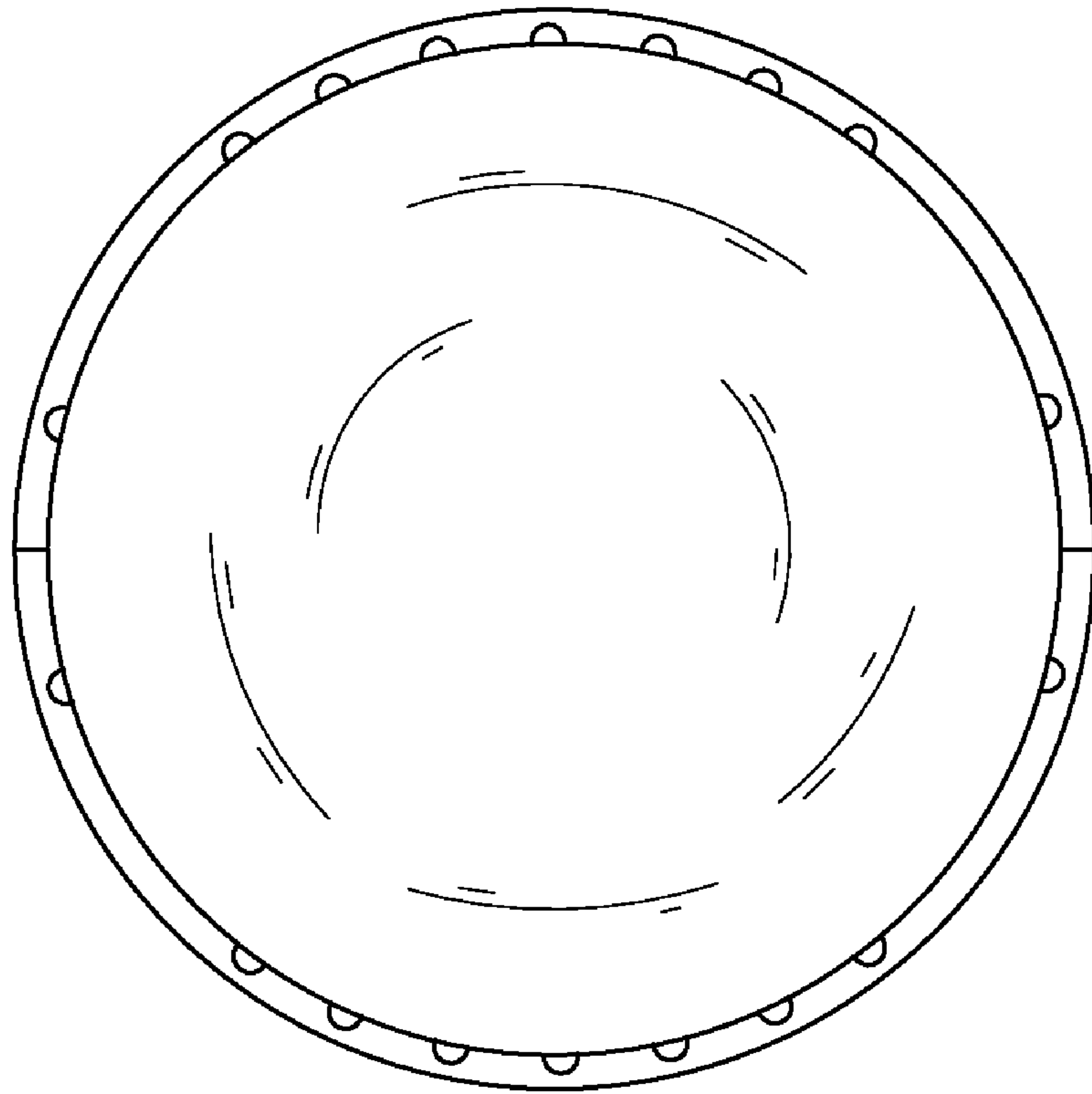


FIG. 6

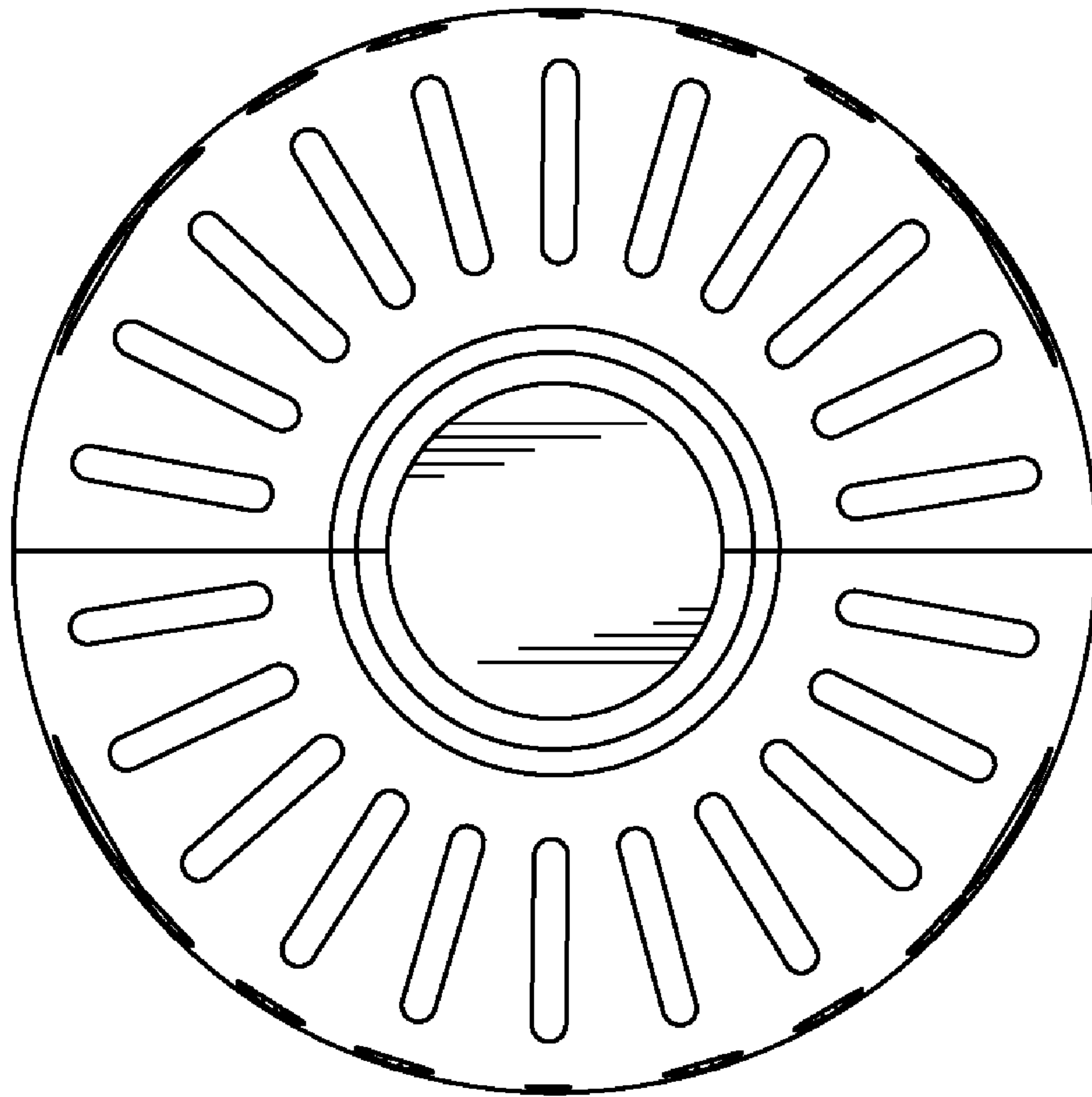


FIG. 7