



US00D609827S

(12) **United States Design Patent**
Lee et al.

(10) **Patent No.:** **US D609,827 S**
(45) **Date of Patent:** **** Feb. 9, 2010**

(54) **LED BULB**

(75) Inventors: **Jae Yeong Lee**, Seoul (KR); **Sang Dong Jeong**, Incheon (KR); **Tae Gi Yoon**, Seoul (KR)

(73) Assignee: **Amoluxe Co., Ltd.**, Gyeonggi-do (KR)

(**) Term: **14 Years**

(21) Appl. No.: **29/336,914**

(22) Filed: **May 12, 2009**

(30) **Foreign Application Priority Data**

Nov. 13, 2008 (KR) 30-2008-0048993

(51) **LOC (9) Cl.** **26-04**

(52) **U.S. Cl.** **D26/2**

(58) **Field of Classification Search** D26/1-4;
313/313, 315, 316, 317, 318, 493; 315/52,
315/53, 56, 57, 58

See application file for complete search history.

(56) **References Cited**

U.S. PATENT DOCUMENTS

D508,575 S * 8/2005 Buschmann et al. D26/2
D528,227 S * 9/2006 Chou et al. D26/2

D531,741 S * 11/2006 Takahashi D26/2
D534,665 S * 1/2007 Egawa et al. D26/2
D538,950 S * 3/2007 Maxik D26/2
D538,953 S * 3/2007 Mama D26/2
D553,267 S * 10/2007 Yuen D26/2
D590,523 S * 4/2009 Takahashi D26/2

* cited by examiner

Primary Examiner—Marcus A Jackson

(74) *Attorney, Agent, or Firm*—Rosenberg, Klein & Lee

(57) **CLAIM**

The ornamental design for a LED bulb, as shown and described.

DESCRIPTION

FIG. 1 is a perspective view of the LED bulb showing my new design;

FIG. 2 is the front view thereof;

FIG. 3 is the rear view thereof;

FIG. 4 is the left side view thereof;

FIG. 5 is the right side view thereof;

FIG. 6 is the top view thereof; and,

FIG. 7 is the bottom view thereof.

1 Claim, 7 Drawing Sheets

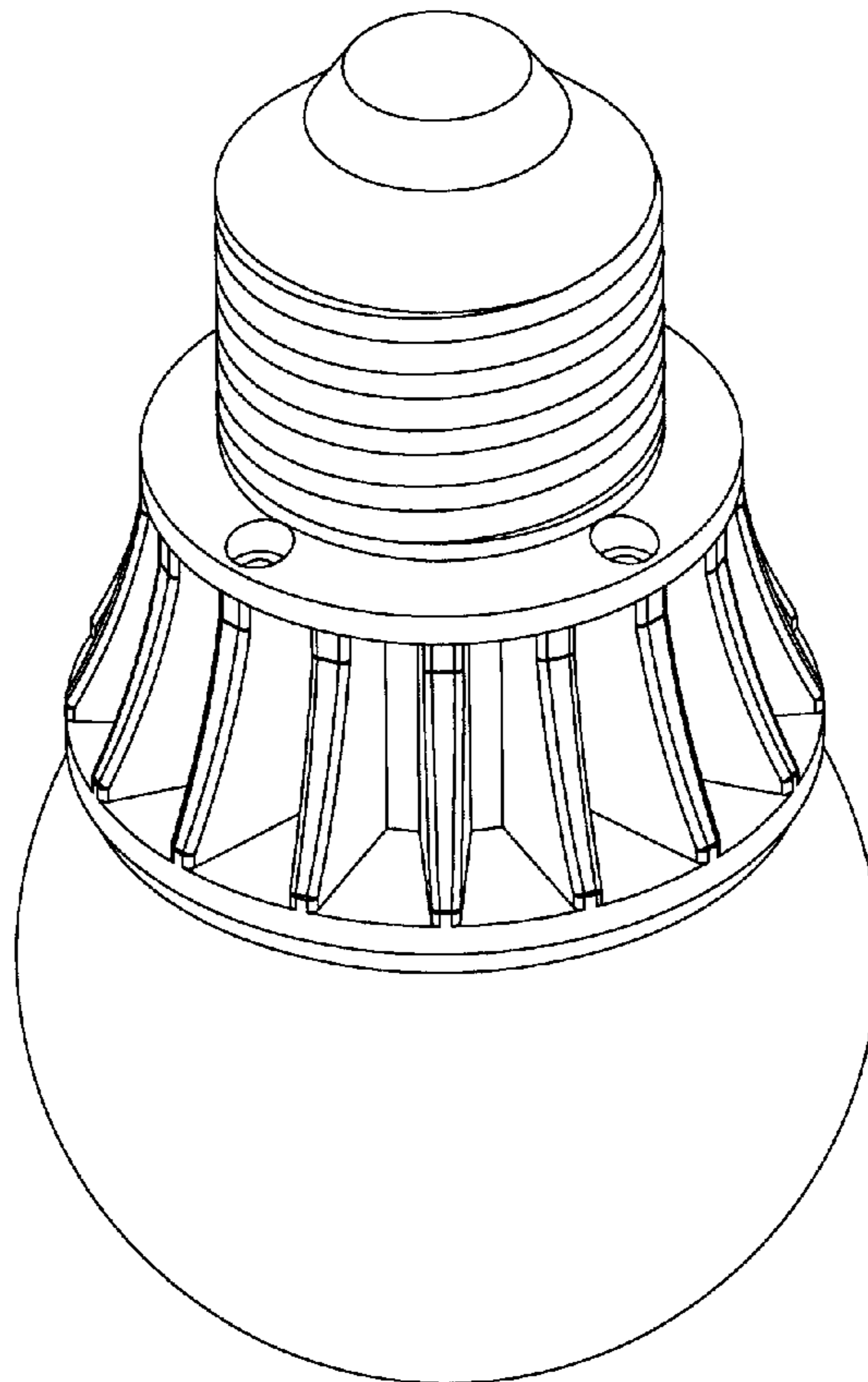


FIG. 1

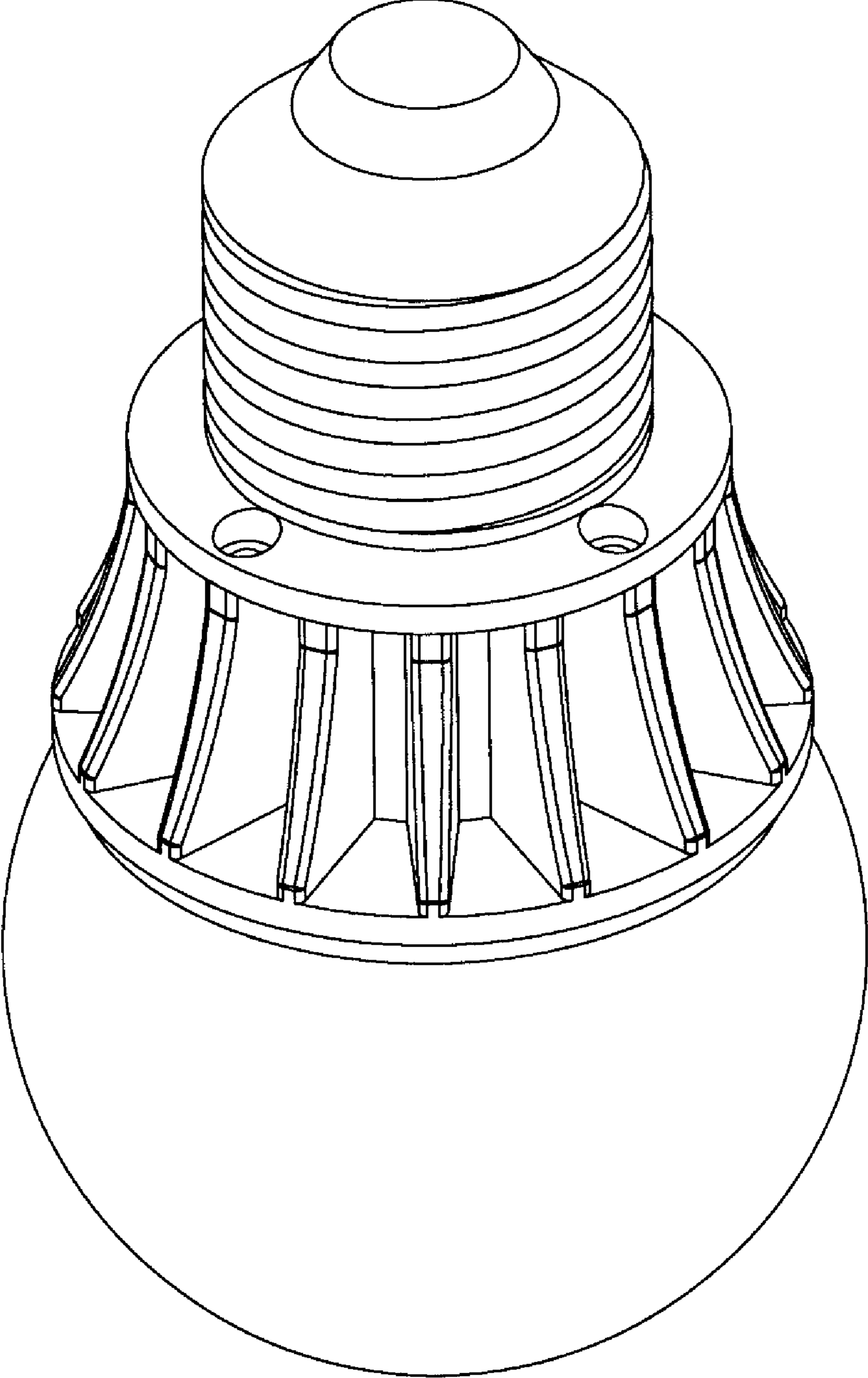


FIG. 2

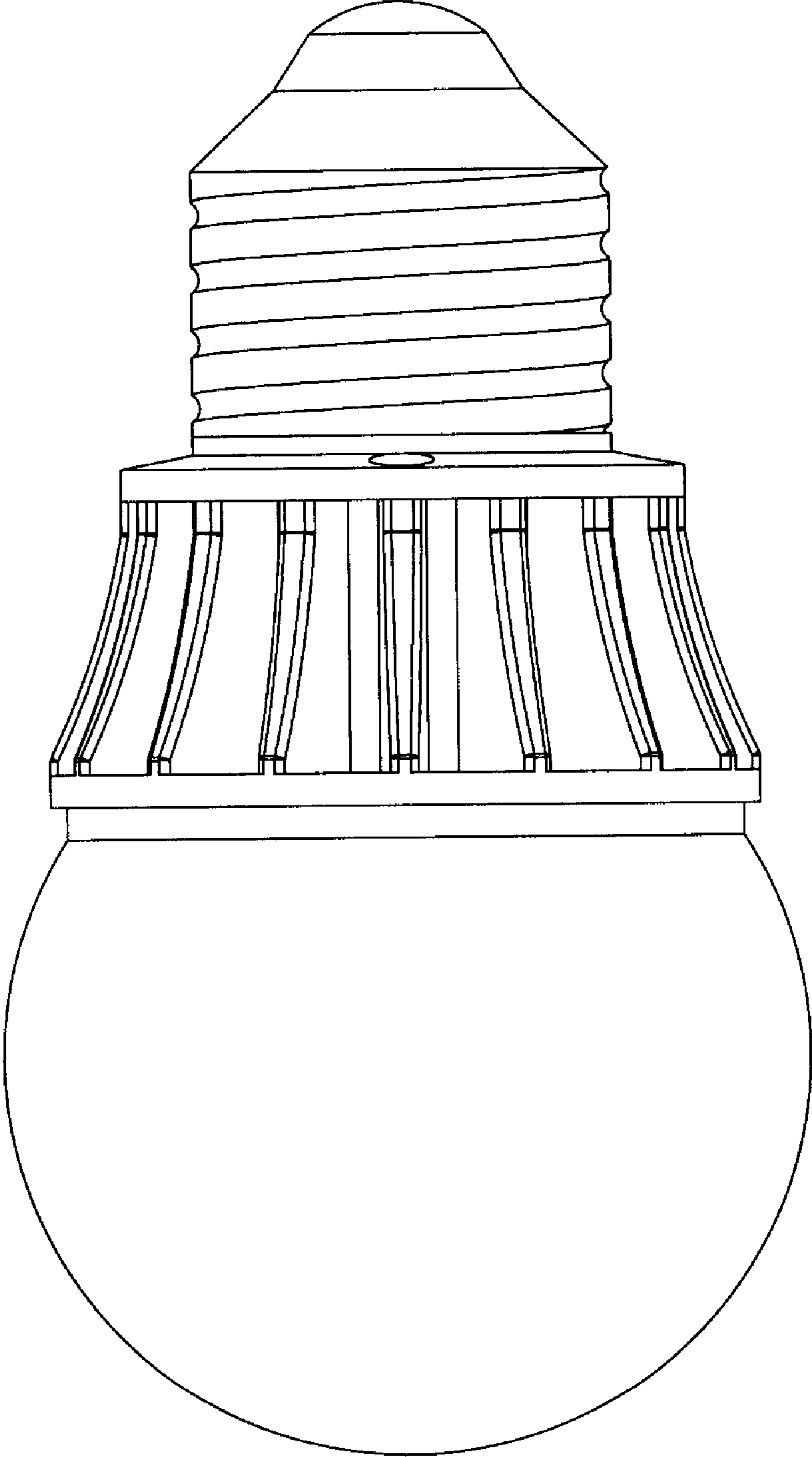


FIG. 3

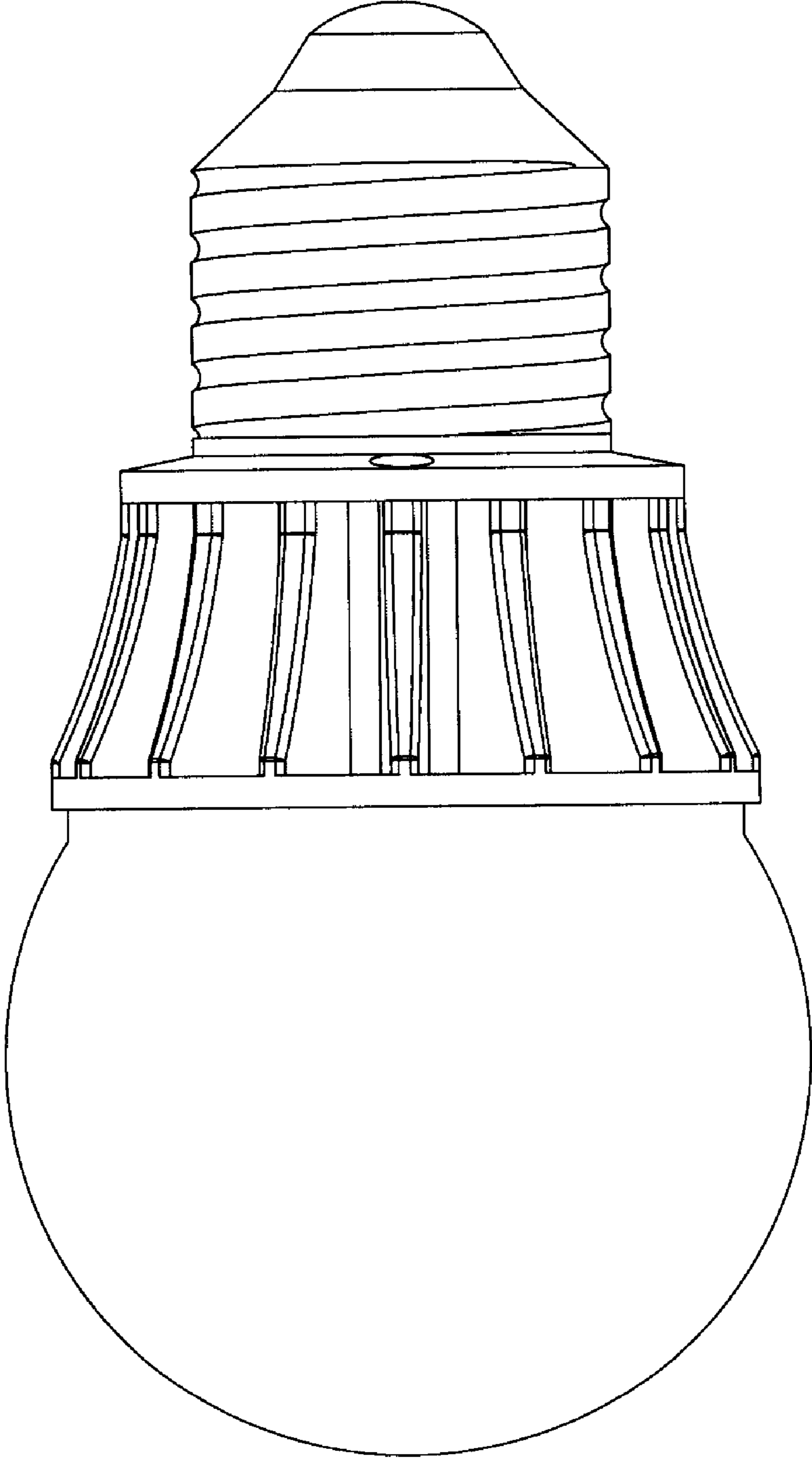


FIG. 4

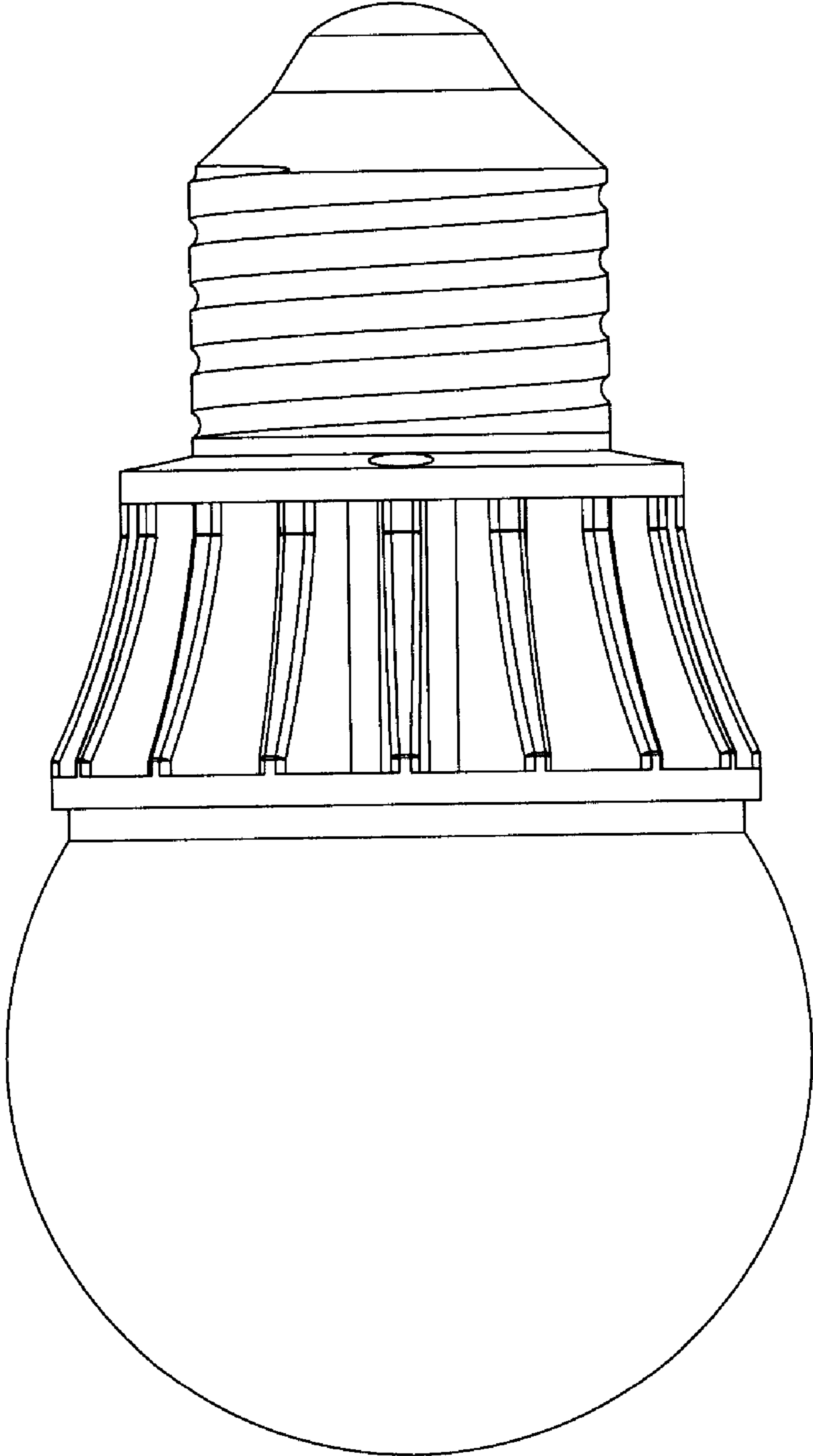


FIG. 5

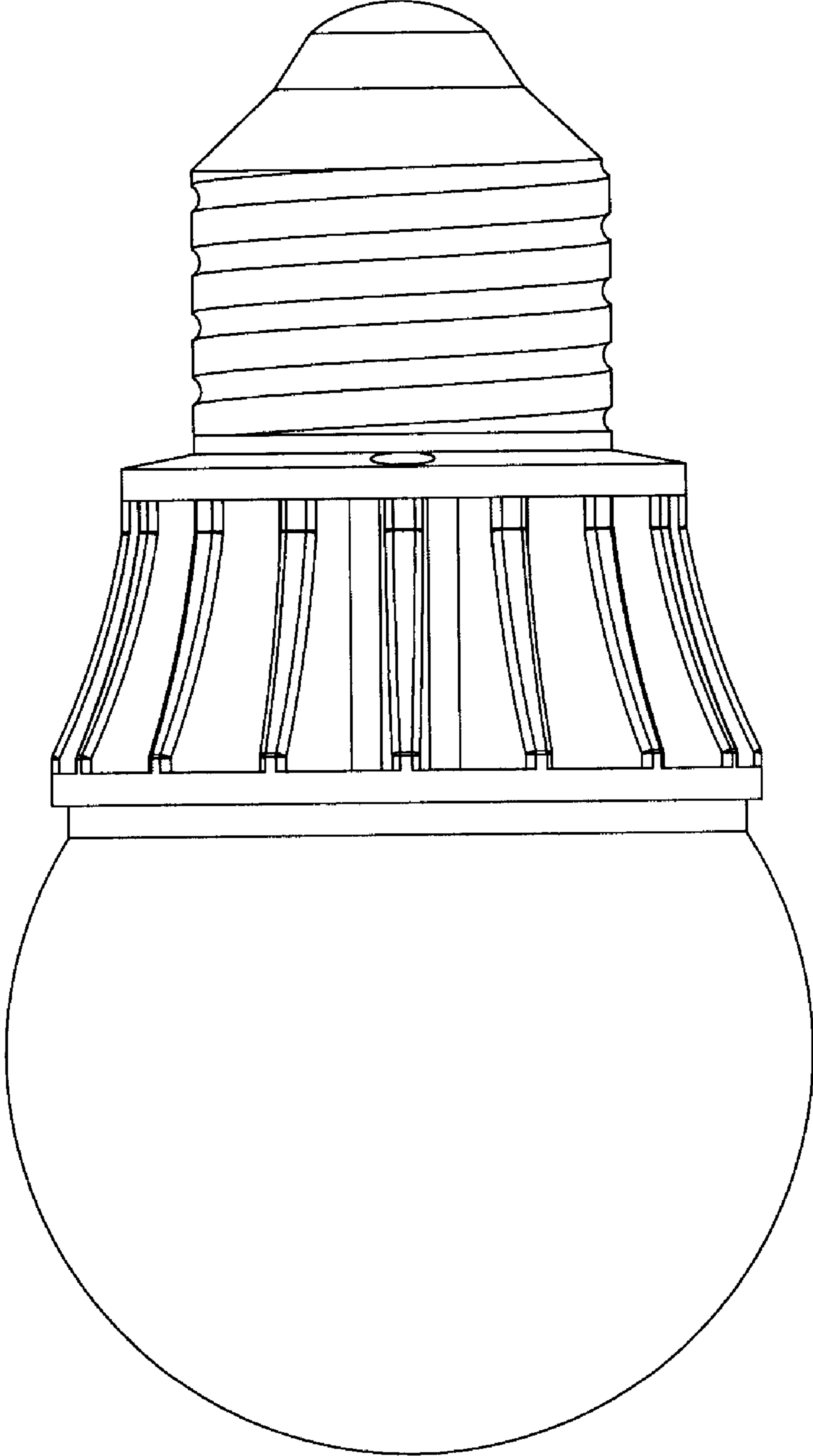


FIG. 6

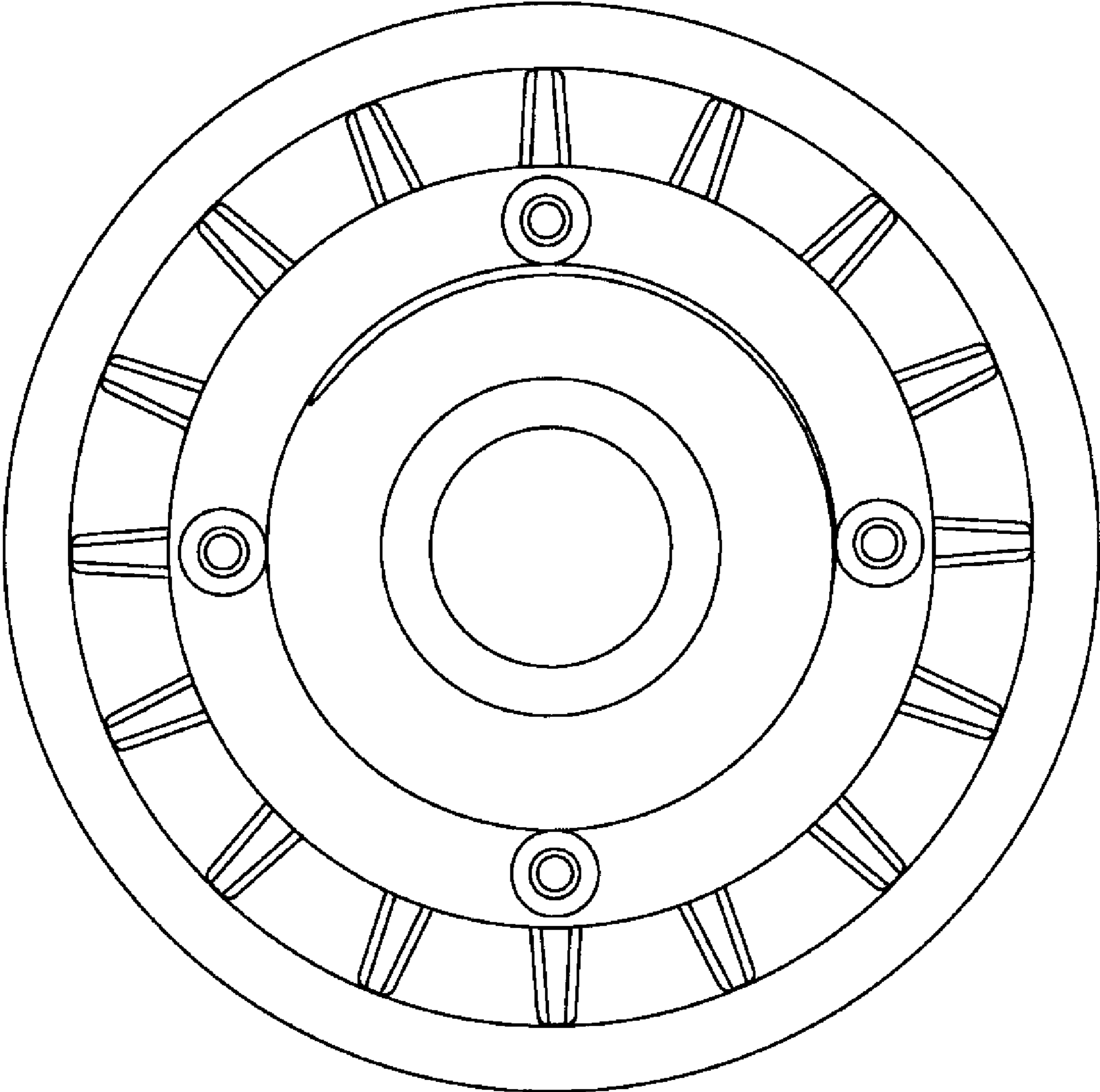


FIG. 7

