



US00D609825S

(12) **United States Design Patent**  
**Clarke et al.**

(10) **Patent No.:** **US D609,825 S**

(45) **Date of Patent:** **\*\* Feb. 9, 2010**

(54) **BEAM**

(75) Inventors: **Murray James Clarke**, Drummoyne (AU); **Pieter Cornelis Groenewegen**, Groessen (NL); **Stephen John Celati**, Concord West (AU)

(73) Assignee: **Dematic Pty Ltd**, Belrose, NSW (AU)

(\*\*) Term: **14 Years**

(21) Appl. No.: **29/332,773**

(22) Filed: **Feb. 25, 2009**

(30) **Foreign Application Priority Data**

Aug. 25, 2008 (AU) ..... 14129/2008

(51) **LOC (9) Cl.** ..... **25-01**

(52) **U.S. Cl.** ..... **D25/126**

(58) **Field of Classification Search** ..... D25/126;  
52/223.8, 831, 649.2, 650.1

See application file for complete search history.

(56) **References Cited**

**U.S. PATENT DOCUMENTS**

D273,334 S \* 4/1984 Young ..... D25/126  
6,374,558 B1 \* 4/2002 Surowiecki ..... 52/241  
D567,397 S \* 4/2008 Terada et al. .... D25/126

\* cited by examiner

*Primary Examiner*—Doris Clark

(74) *Attorney, Agent, or Firm*—The Webb Law Firm

(57) **CLAIM**

The ornamental design for a beam, as shown and described.

**DESCRIPTION**

FIG. 1 is a top perspective view of a first embodiment of a beam in accordance with the present invention;

FIG. 2 is a front view of a portion thereof;

FIG. 3 is a top view thereof;

FIG. 4 is a front view thereof;

FIG. 5 is a rear view thereof;

FIG. 6 is a bottom view thereof;

FIG. 7 is a left side view thereof;

FIG. 8 is a right side view thereof;

FIG. 9 is a top perspective view of a second embodiment of a beam in accordance with the present invention;

FIG. 10 is a front view of a portion thereof;

FIG. 11 is a top view thereof;

FIG. 12 is a front view thereof;

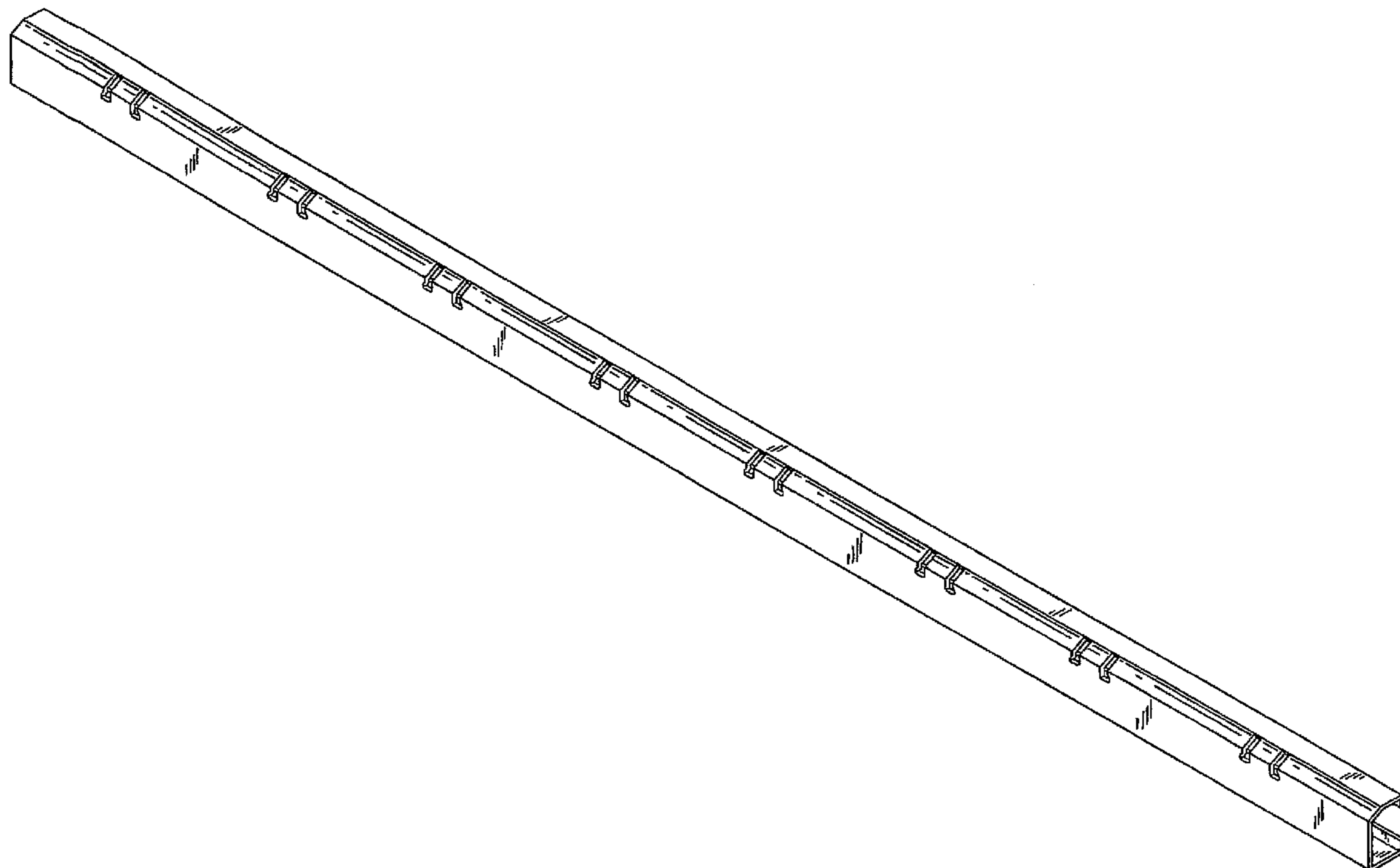
FIG. 13 is a rear view thereof;

FIG. 14 is a bottom view thereof;

FIG. 15 is a left side view thereof; and,

FIG. 16 is a right side view thereof.

**1 Claim, 4 Drawing Sheets**



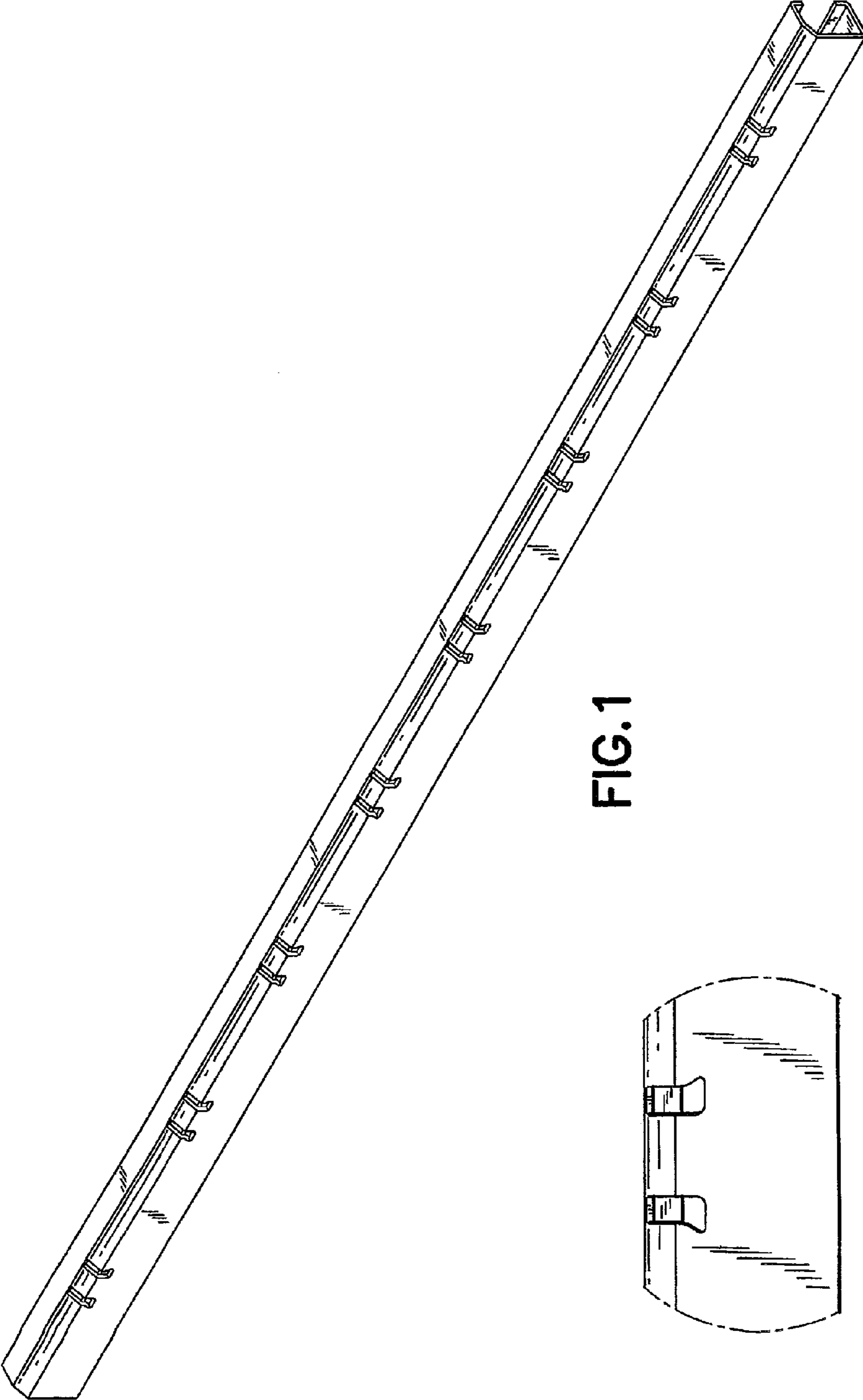


FIG. 1

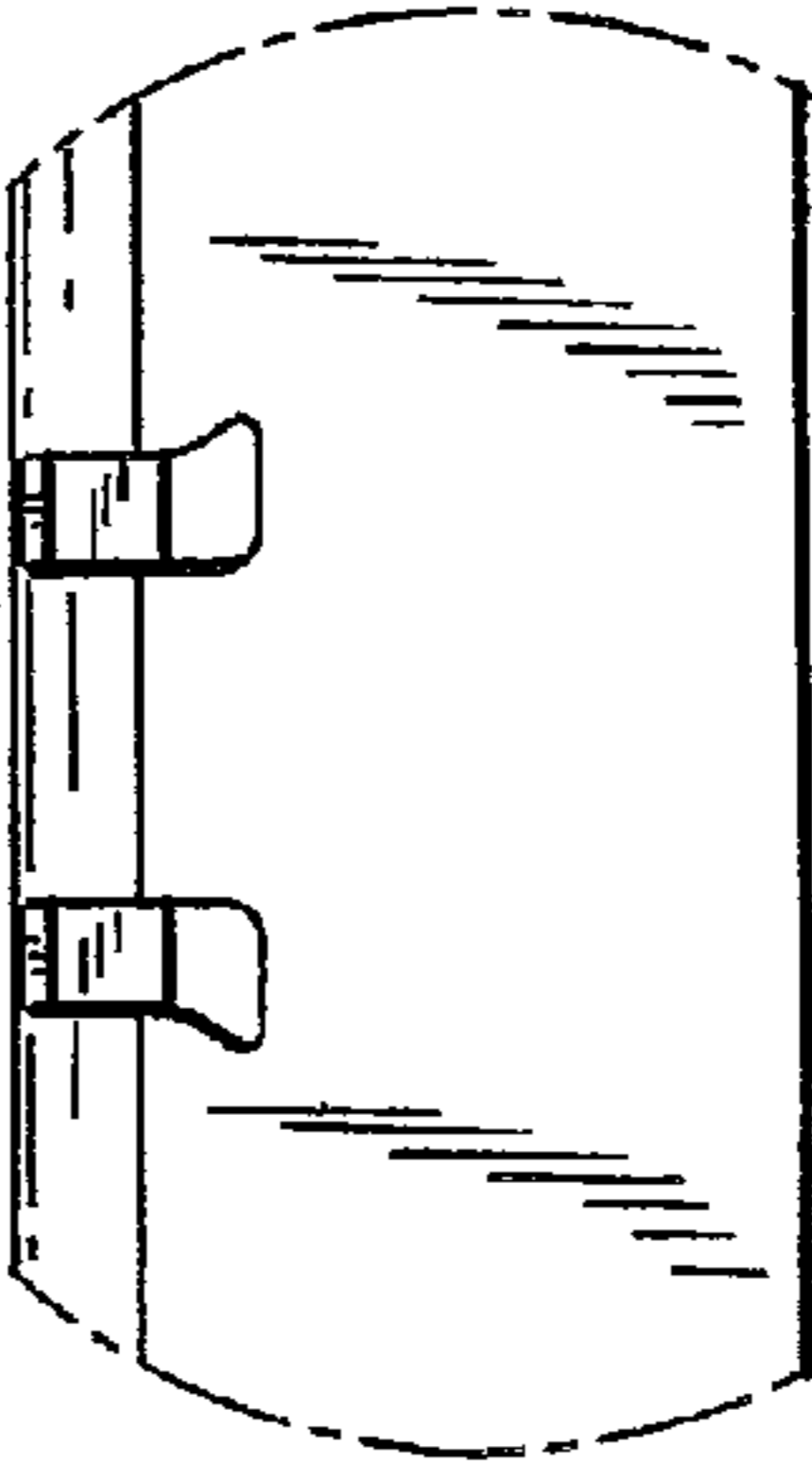


FIG. 2



FIG. 3



FIG. 4

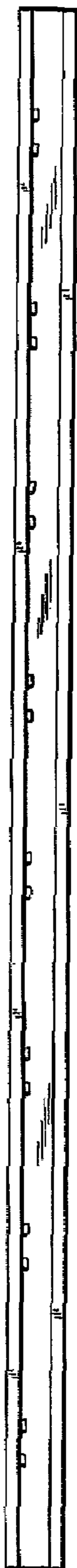


FIG. 5



FIG. 6



FIG. 7



FIG. 8

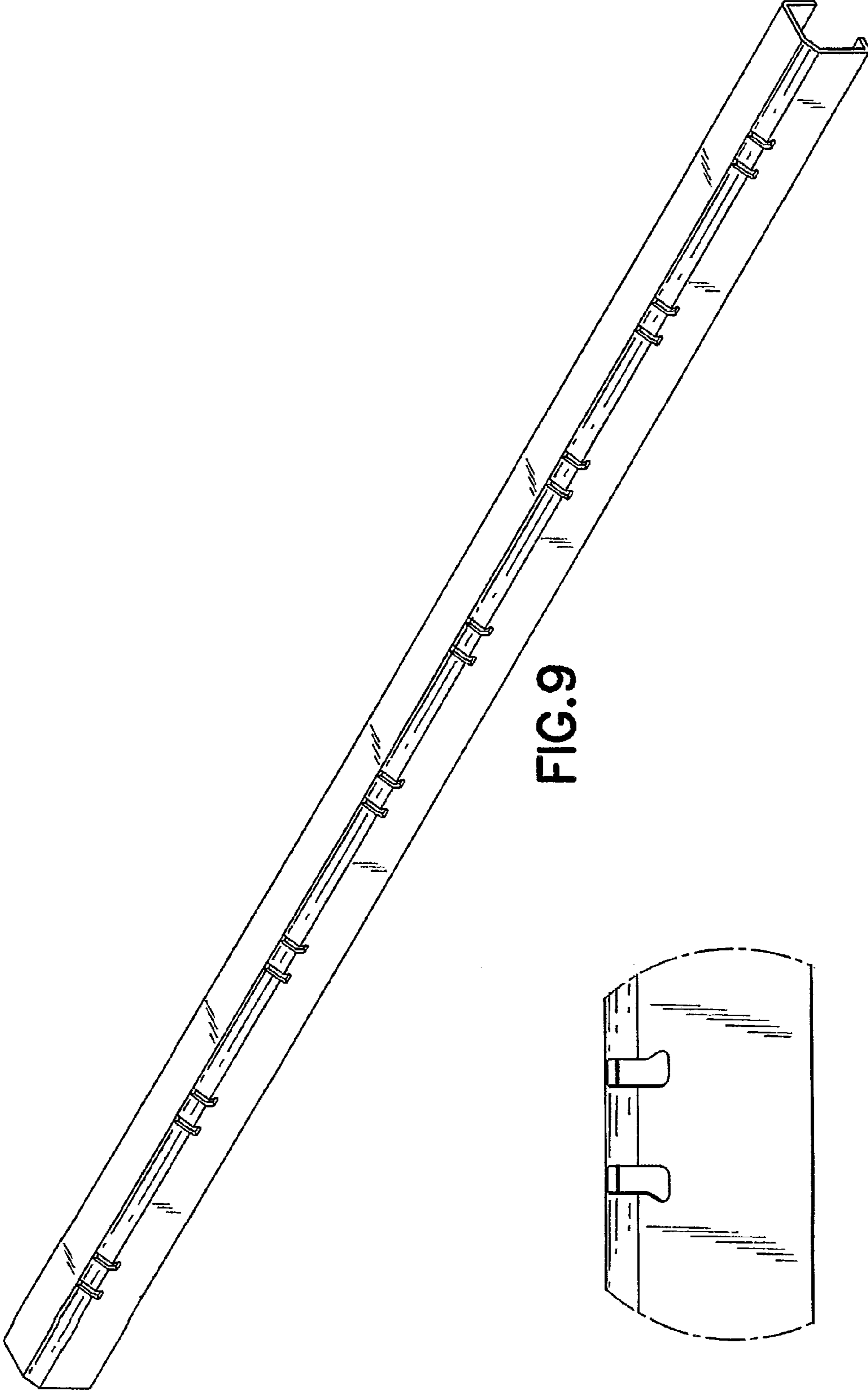


FIG. 9

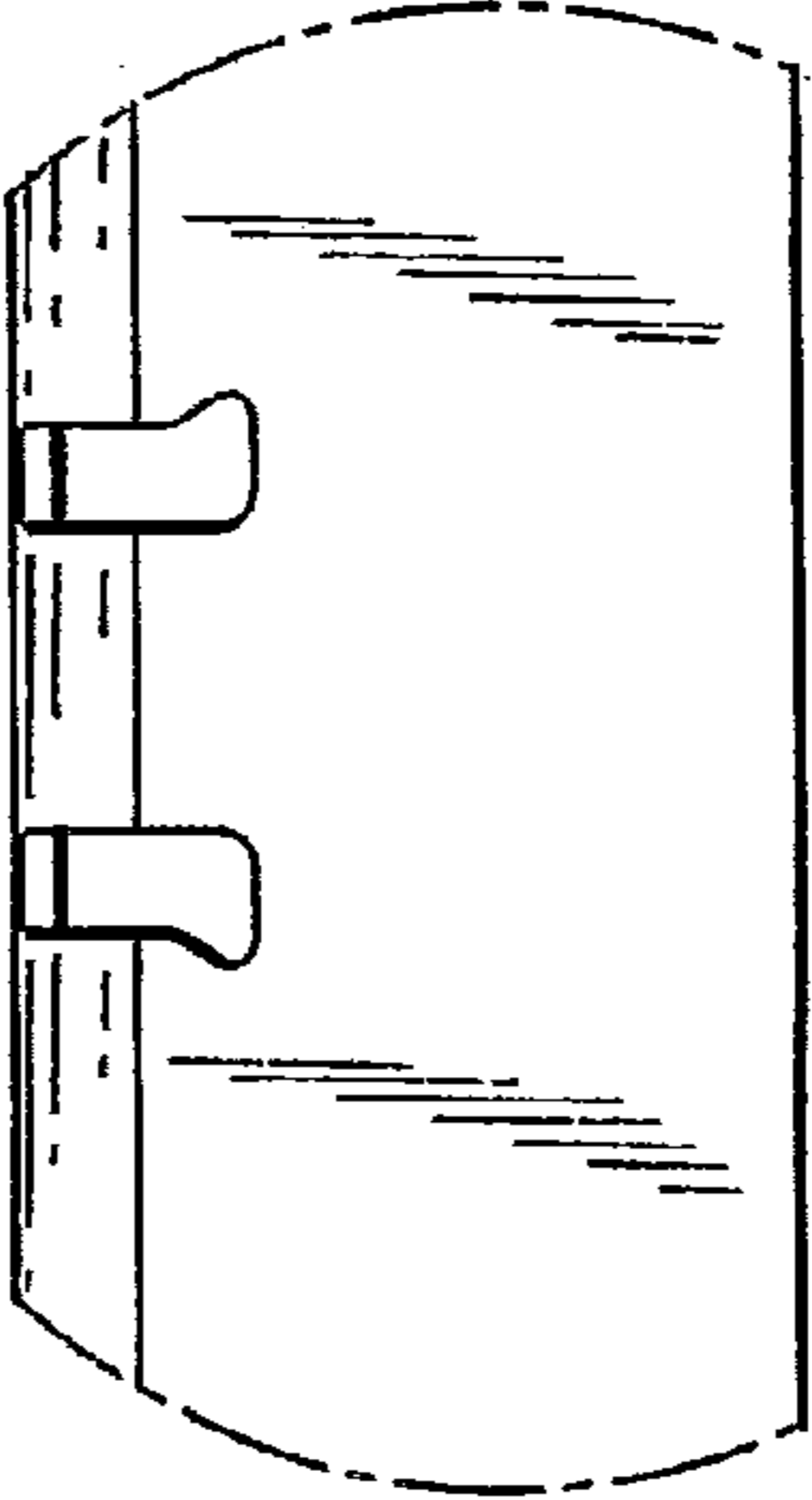


FIG. 10



FIG. 11

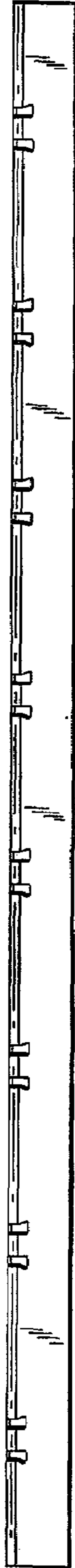


FIG. 12

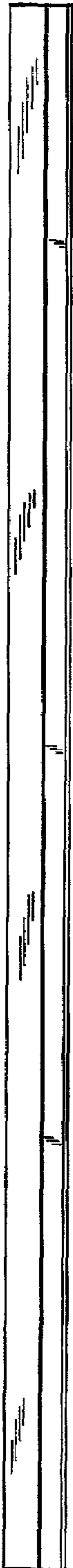


FIG. 13



FIG. 14

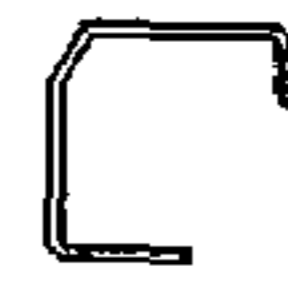


FIG. 15

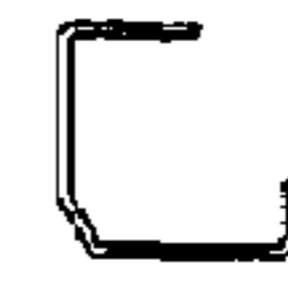


FIG. 16