

US00D609820S

(12) **United States Design Patent**
Clarke et al.

(10) **Patent No.:** **US D609,820 S**

(45) **Date of Patent:** **** Feb. 9, 2010**

(54) **RAIL**

6,874,766 B2 * 4/2005 Curatolo 256/59
D548,363 S * 8/2007 Hein D25/38

(75) Inventors: **Murray James Clarke**, Drummoyne (AU); **Pieter Cornelis Groenewegen**, Groessen (NL); **Stephen John Celati**, Concord West (AU)

* cited by examiner

(73) Assignee: **Dematic Pty Ltd**, Belrose, NSW (AU)

Primary Examiner—Doris Clark
(74) *Attorney, Agent, or Firm*—The Webb Law Firm

(**) Term: **14 Years**

(57) **CLAIM**

(21) Appl. No.: **29/332,776**

The ornamental design for a rail, as shown and described.

(22) Filed: **Feb. 25, 2009**

(30) **Foreign Application Priority Data**

DESCRIPTION

Aug. 25, 2008 (AU) 14128/2008

(51) **LOC (9) Cl.** **25-02**

FIG. 1 is a top perspective view of a rail in accordance with the present invention;

(52) **U.S. Cl.** **D25/38**

FIG. 2 is a top view thereof;

(58) **Field of Classification Search** D25/38,
D25/126; 52/223.8, 736.1; 256/DIG. 5,
256/65.01, 65.11, 65.02, 19, 22, 24

FIG. 3 is a left side view thereof;

See application file for complete search history.

FIG. 4 is a right side view thereof;

FIG. 5 is a bottom view thereof;

(56) **References Cited**

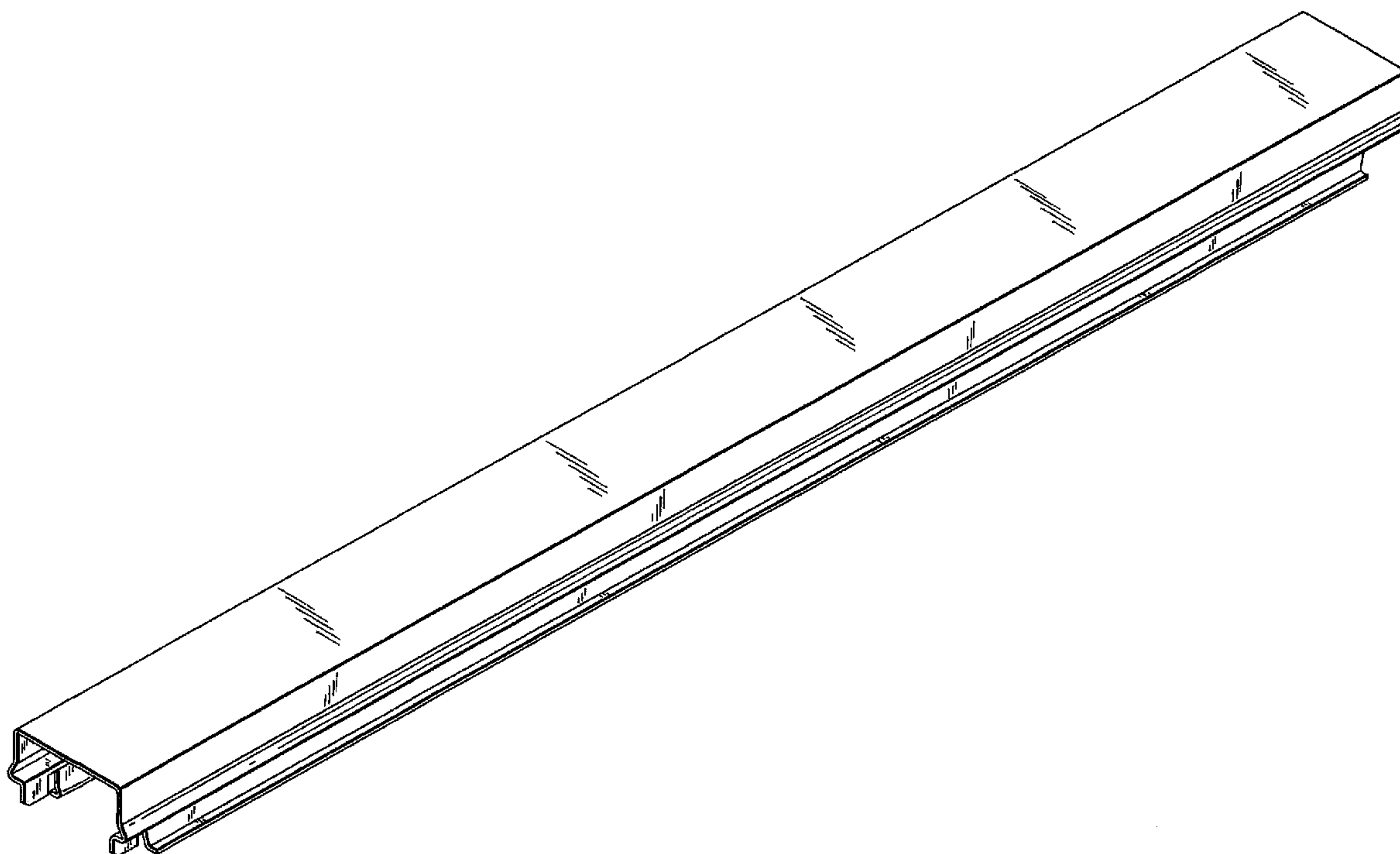
FIG. 6 is a front view thereof; and,

FIG. 7 is a rear view thereof.

U.S. PATENT DOCUMENTS

6,752,385 B2 * 6/2004 Zen et al. 256/65.01

1 Claim, 2 Drawing Sheets



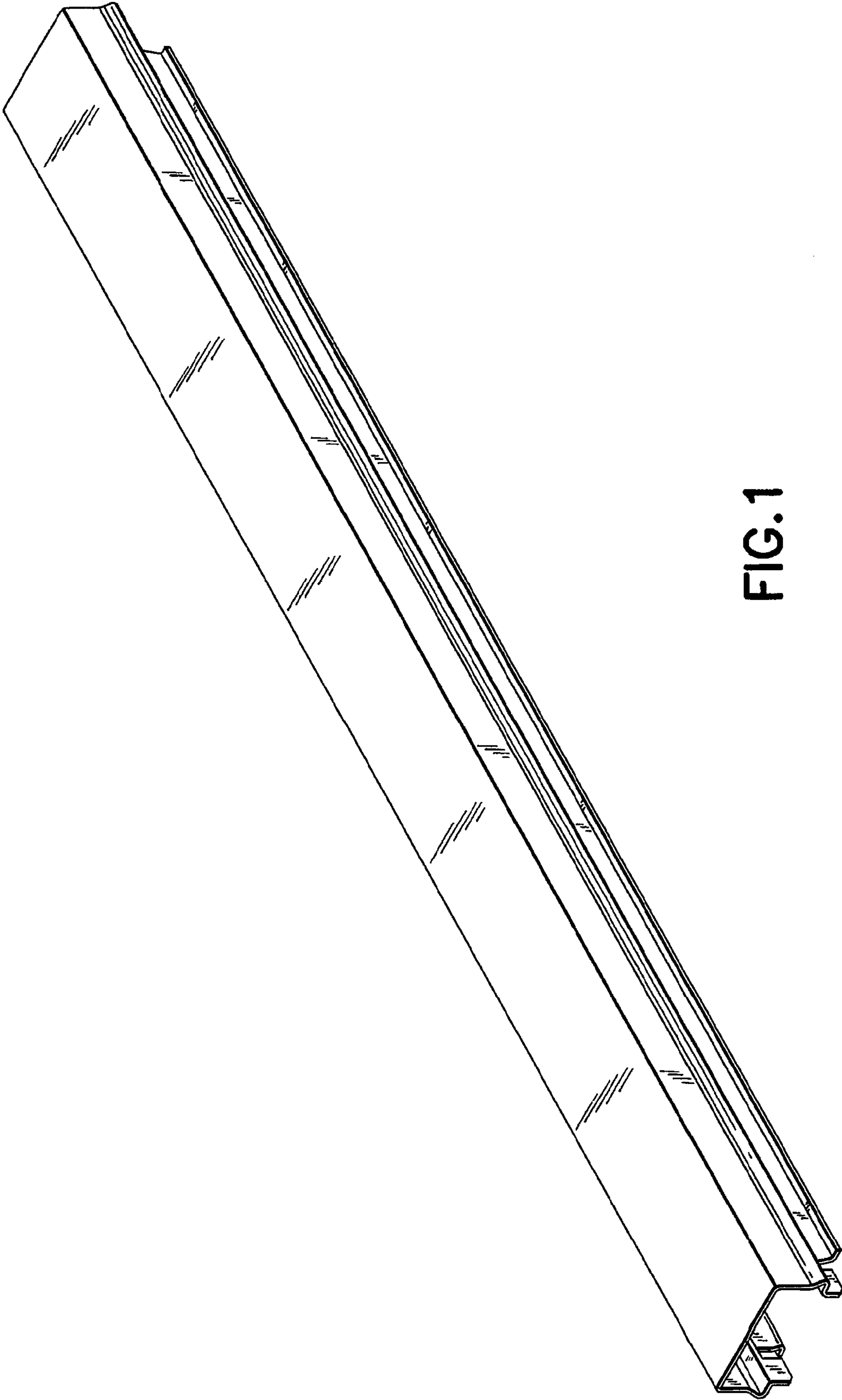


FIG.1

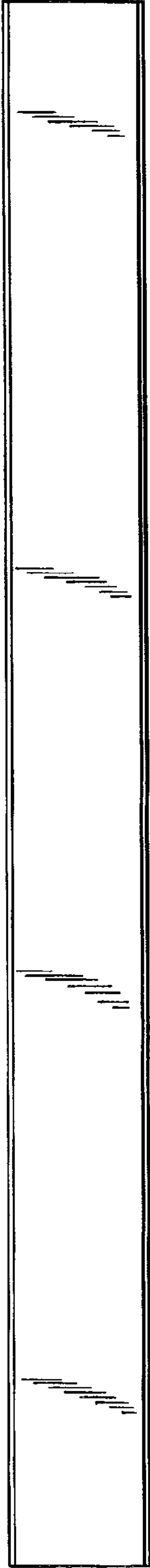


FIG. 2



FIG. 3



FIG. 4

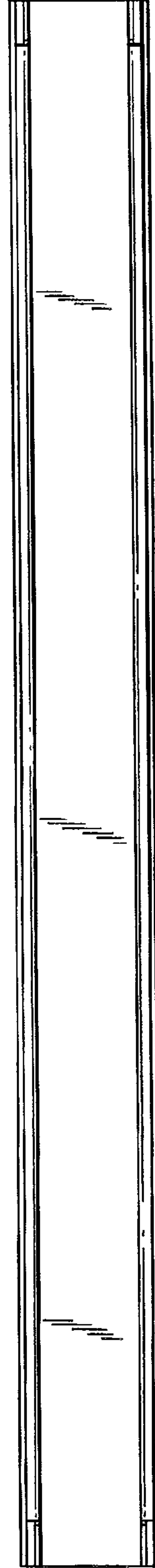


FIG. 5

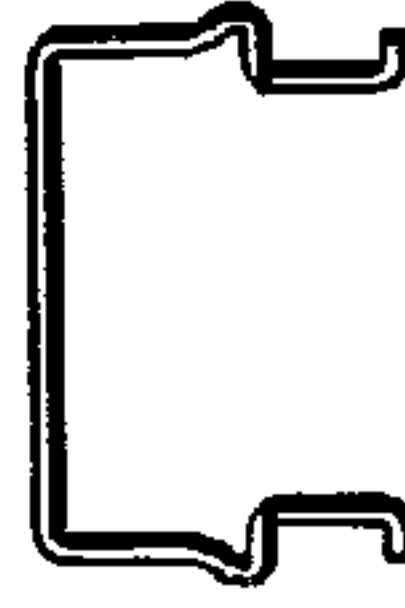


FIG. 6

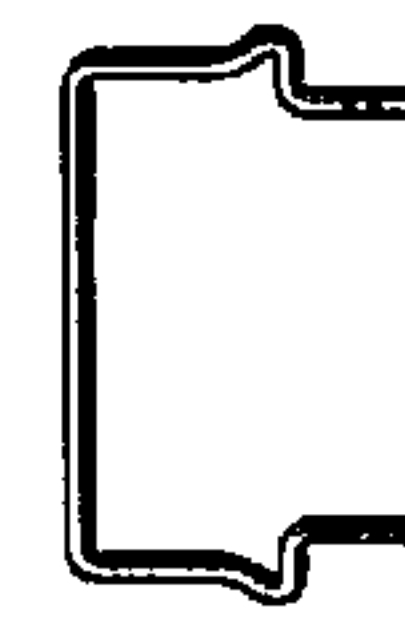


FIG. 7