

US00D609819S

(12) **United States Design Patent**  
**Tomes et al.**

(10) **Patent No.:** **US D609,819 S**  
(45) **Date of Patent:** **\*\* Feb. 9, 2010**

(54) **MEDICAL TRAY**

(75) Inventors: **Jennifer E. Tomes**, Mundelein, IL (US);  
**Deborah B. Adler**, New York, NY (US);  
**Jack E. Maze**, Long Grove, IL (US);  
**Alberto C. Savage**, Buffalo Grove, IL  
(US); **Kenneth S. Chua**, Glenview, IL  
(US); **Earl D. Wilson**, Ingleside, IL  
(US); **John H. Kutsch**, Harvard, IL (US)

(73) Assignee: **Medline Industries, Inc.**, Mundelein, IL  
(US)

(\*\*) Term: **14 Years**

(21) Appl. No.: **29/338,022**

(22) Filed: **Jun. 3, 2009**

(51) **LOC (9) Cl.** ..... **24-01**  
(52) **U.S. Cl.** ..... **D24/227**  
(58) **Field of Classification Search** ..... D24/123,  
D24/176, 216, 223-232; 422/99, 102, 104,  
422/297, 300; 433/77; D3/304, 307, 308,  
D3/314, 315; D7/500, 550.1, 543, 602, 554.3,  
D7/361, 354, 587; D15/90; 206/557; D30/129;  
D28/61; D9/425

See application file for complete search history.

(56) **References Cited**

**U.S. PATENT DOCUMENTS**

D218,077 S *	7/1970	Gabriel .....	D24/229
D234,404 S *	2/1975	Merril .....	D24/230
D237,315 S *	10/1975	Nowakowski .....	D24/226
D237,317 S *	10/1975	Nowakowski .....	D24/223
D243,798 S *	3/1977	Swartz .....	D24/226
D248,871 S *	8/1978	Forsman et al. ....	D24/230
D249,362 S *	9/1978	Forsman et al. ....	D24/230
D262,995 S *	2/1982	Gaba et al. ....	D24/229
D268,130 S *	3/1983	Easton .....	D24/230
D275,886 S *	10/1984	Sheward et al. ....	D9/425

D276,462 S *	11/1984	Villarreal .....	D24/229
D280,663 S *	9/1985	Albon et al. ....	D24/226
D280,933 S *	10/1985	McLaughlin .....	D24/229
D283,051 S *	3/1986	Fichera .....	D24/123
D287,760 S *	1/1987	Discko, Jr. ....	D24/229
D334,973 S *	4/1993	Valentine et al. ....	D24/227
D337,830 S *	7/1993	Coyne et al. ....	D24/227
D343,687 S *	1/1994	Houghton et al. ....	D24/230
D351,661 S *	10/1994	Fischer .....	D24/176
D387,177 S *	12/1997	Davis .....	D24/227
6,012,586 A	1/2000	Misra	
6,068,121 A	5/2000	McGlinch	
D450,130 S *	11/2001	Goldstein .....	D24/227
D596,311 S *	7/2009	Antons .....	D24/227

\* cited by examiner

*Primary Examiner*—T. Chase Nelson  
*Assistant Examiner*—Mark Cavanna  
(74) *Attorney, Agent, or Firm*—Philip H. Burrus, IV

(57) **CLAIM**

The ornamental design for a medical tray, as shown and described.

**DESCRIPTION**

FIG. 1 is a front, right, top perspective view of a medical tray showing our new design;

FIG. 2 is a top plan view thereof;

FIG. 3 is a front elevation view thereof;

FIG. 4 is an inverted, rear elevation view thereof;

FIG. 5 is a rotated, right elevation view thereof;

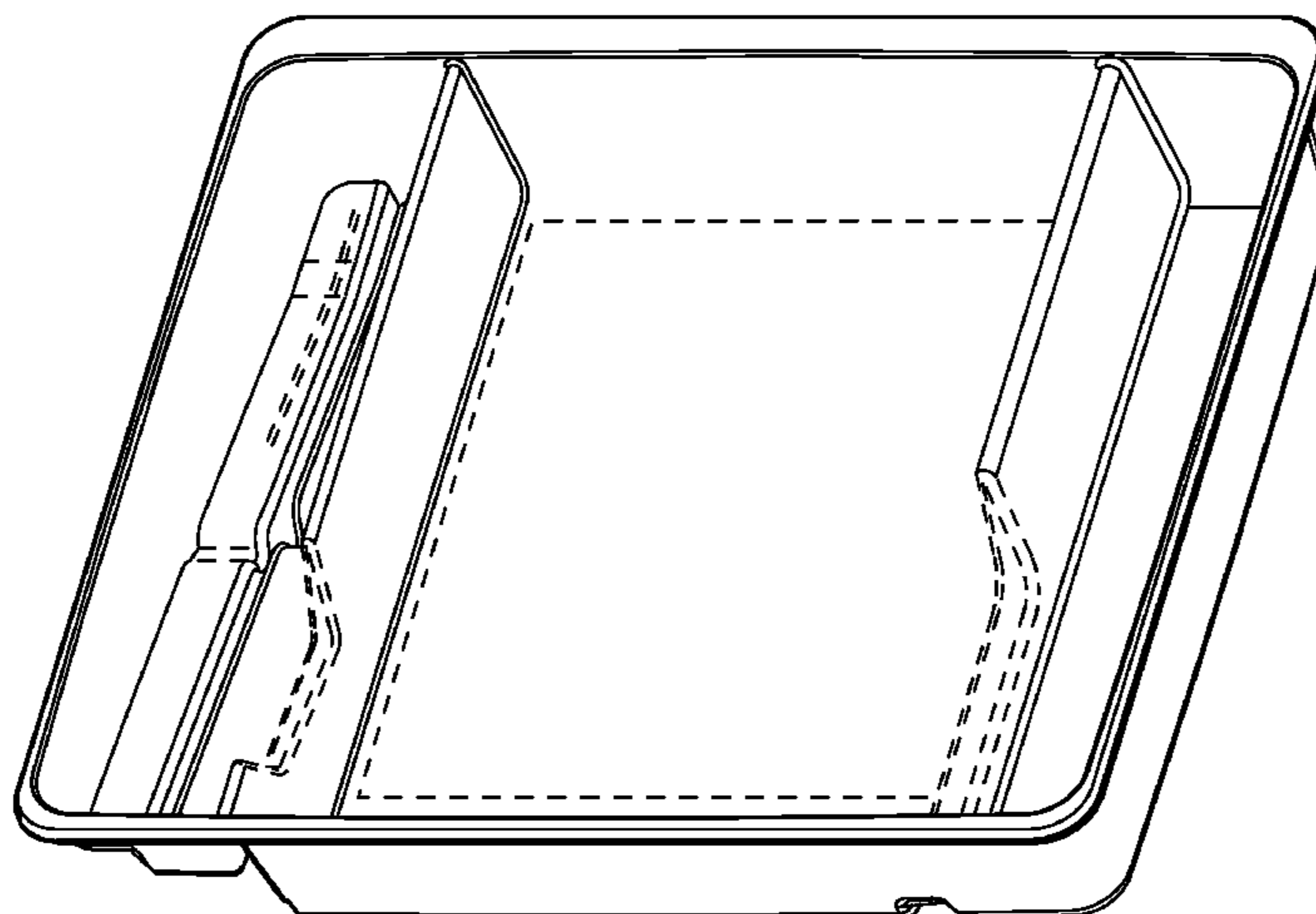
FIG. 6 is a rotated, left elevation view thereof;

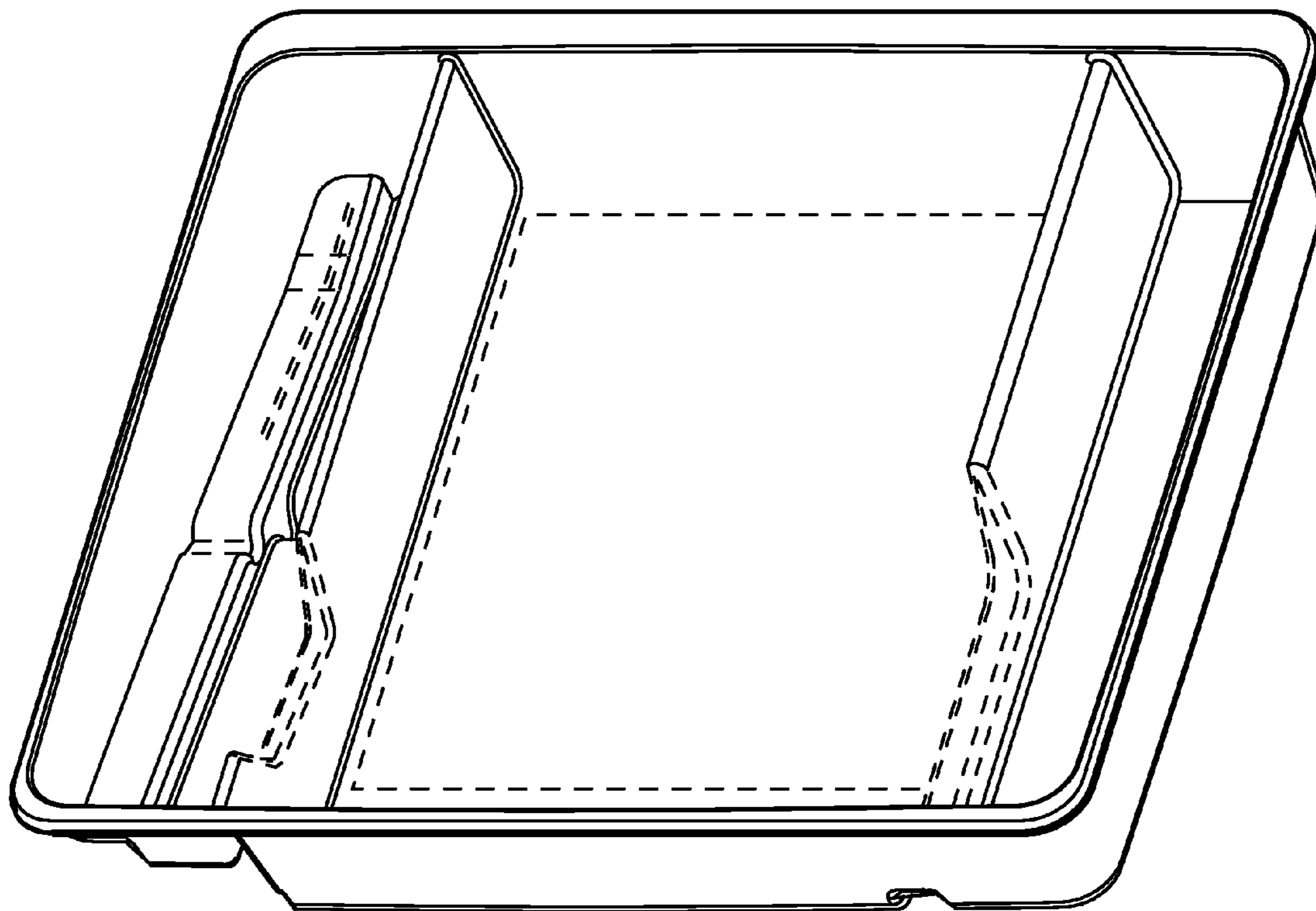
FIG. 7 is a bottom plan view thereof; and,

FIG. 8 is a front, left, top perspective view thereof.

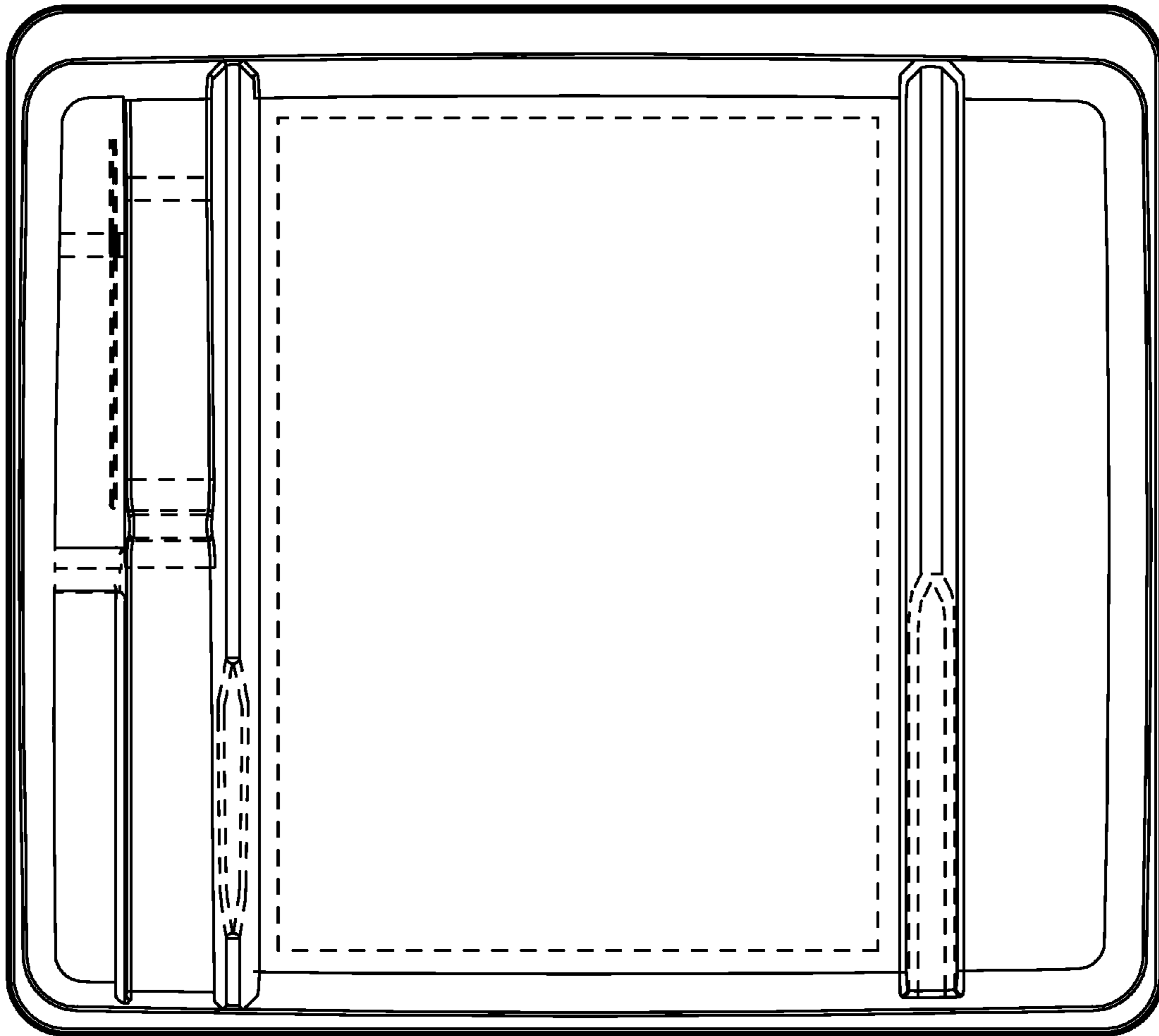
The broken lines shown are included for the purpose of illustrating portions of the medical tray that form no part of the claimed design.

**1 Claim, 6 Drawing Sheets**





***FIG. 1***



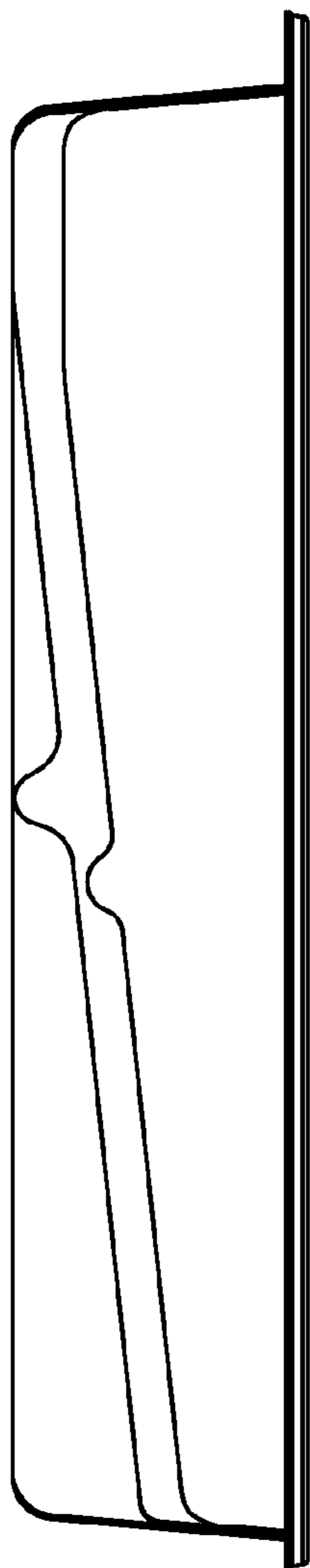
**FIG. 2**



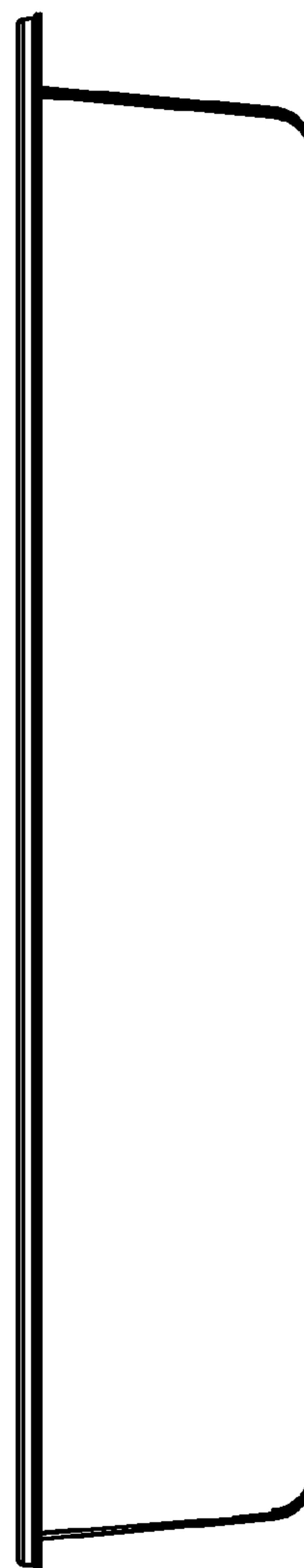
***FIG. 3***



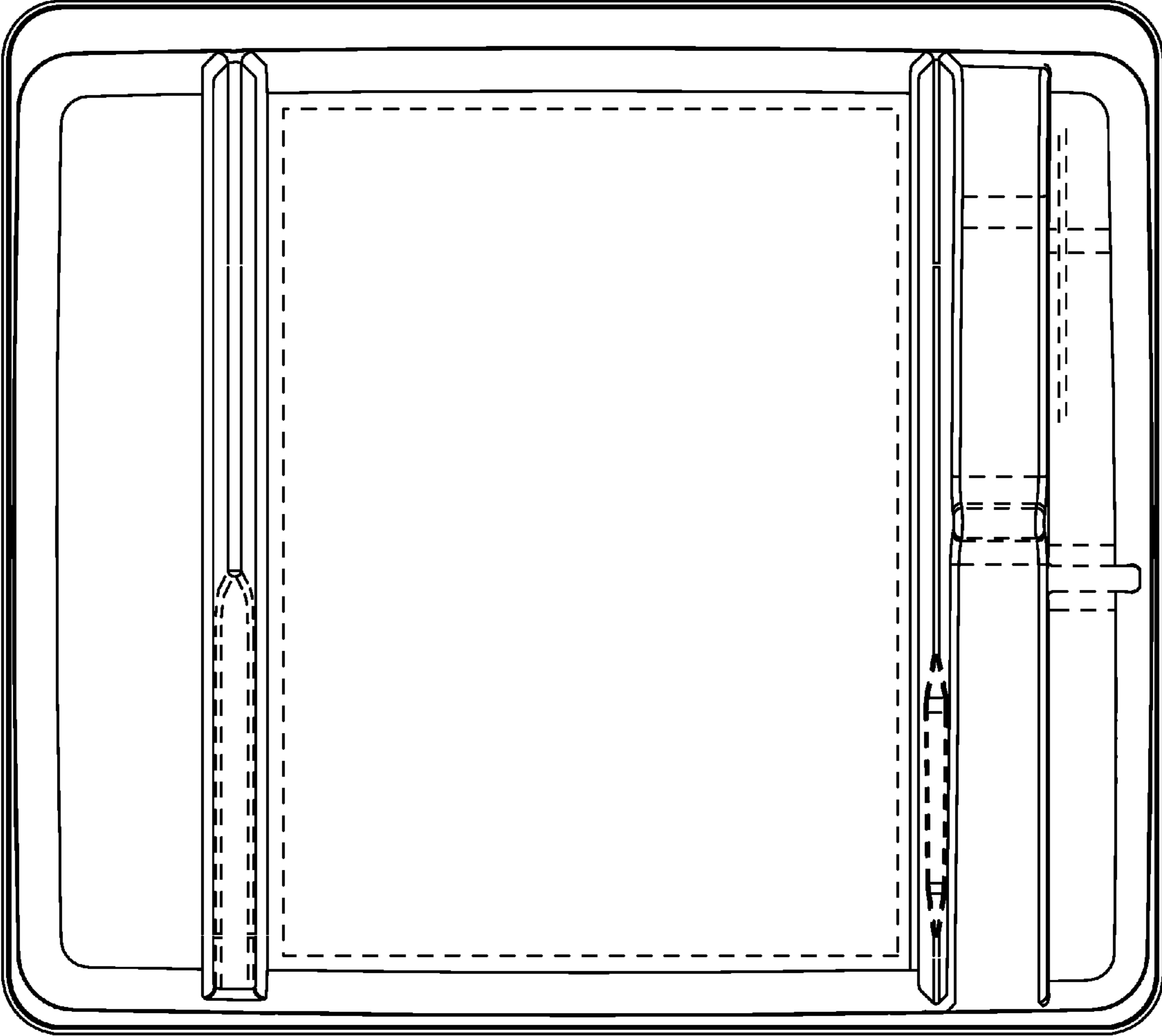
***FIG. 4***



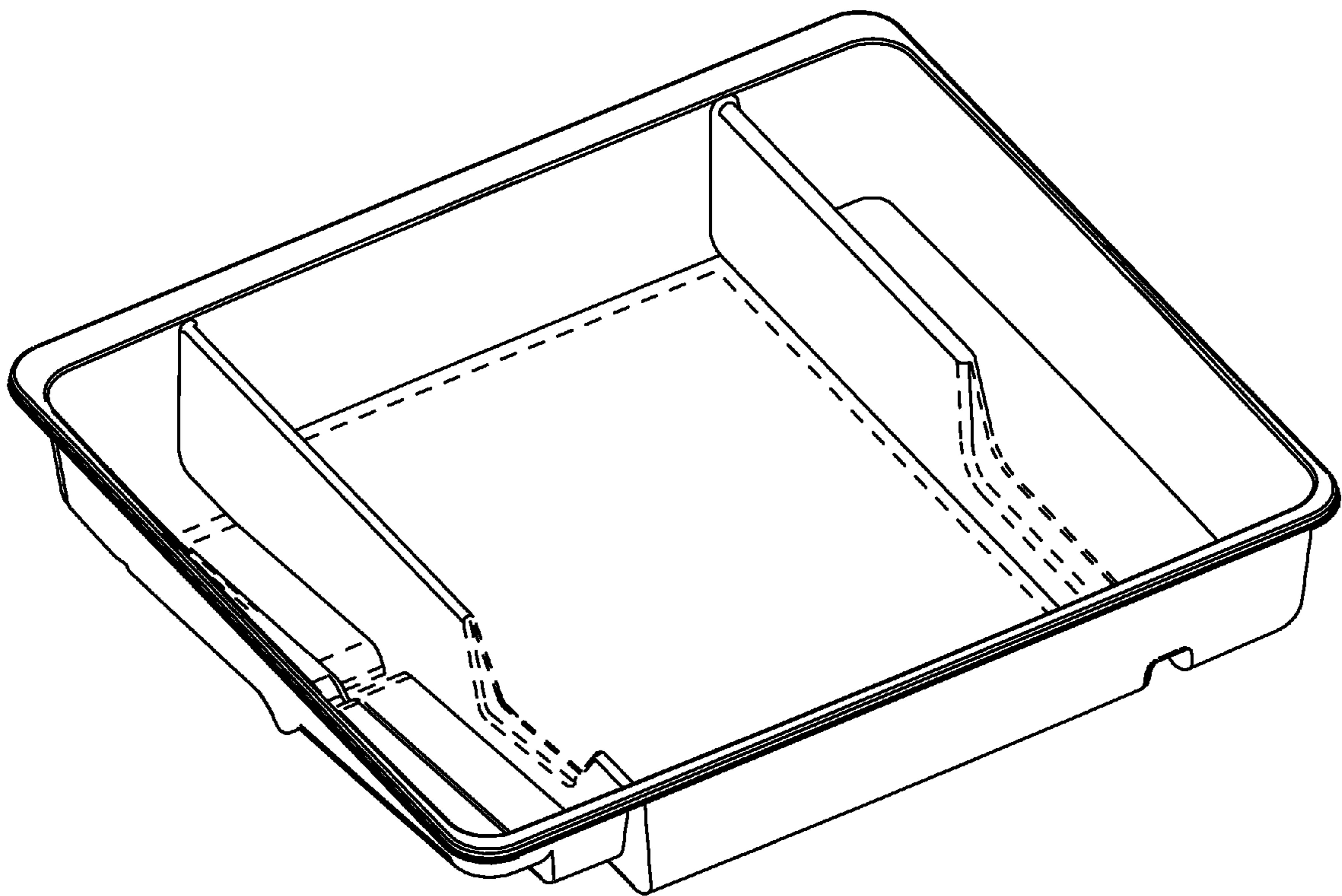
***FIG. 5***



***FIG. 6***



**FIG. 7**



***FIG. 8***