



US00D609816S

(12) **United States Design Patent**  
**Roehrig et al.**

(10) **Patent No.:** **US D609,816 S**

(45) **Date of Patent:** **\*\* Feb. 9, 2010**

(54) **PACIFIER**

(75) Inventors: **Peter Roehrig**, Vienna (AT); **Ernst W. Beranek**, Vienna (AT)

(73) Assignee: **MAM Babyartikel Gesellschaft m.b.H.**, Vienna (AT)

(\*\*) Term: **14 Years**

(21) Appl. No.: **29/313,673**

(22) Filed: **Jan. 30, 2009**

(30) **Foreign Application Priority Data**

Jul. 30, 2008 (EM) ..... 000979299-0001

(51) **LOC (9) Cl.** ..... **24-04**

(52) **U.S. Cl.** ..... **D24/194**

(58) **Field of Classification Search** ..... D24/193-199;  
606/234-236, 438; 215/11.1, 11.6, 235;  
604/77-78

See application file for complete search history.

(56) **References Cited**

**U.S. PATENT DOCUMENTS**

D334,064 S \* 3/1993 Fitzpatrick ..... D24/194  
D340,525 S \* 10/1993 Rohrig ..... D24/194  
5,653,731 A \* 8/1997 Rohrig ..... 606/234  
D393,074 S \* 3/1998 Fields et al. .... D24/194

D430,675 S \* 9/2000 Roehrig ..... D24/194  
D441,083 S \* 4/2001 Roehrig ..... D24/194  
D453,379 S \* 2/2002 Roehrig ..... D24/194  
D501,256 S \* 1/2005 Roehrig ..... D24/194  
D548,847 S \* 8/2007 Dunn et al. .... D24/194  
D558,354 S \* 12/2007 Roehrig ..... D24/194  
2001/0012952 A1 \* 8/2001 Rohrig ..... 606/234  
2008/0177305 A1 \* 7/2008 Vath et al. .... 606/234

\* cited by examiner

*Primary Examiner*—Philip S Hyder

*Assistant Examiner*—Susan E Krakower

(74) *Attorney, Agent, or Firm*—Abelman, Frayne & Schwab

(57) **CLAIM**

The ornamental design for a pacifier, as shown and described.

**DESCRIPTION**

FIG. 1 is a front elevation view of the pacifier showing the new design, the back being a mirror image thereof;

FIG. 2 is a right side elevation view thereof, the left side being a mirror image thereof;

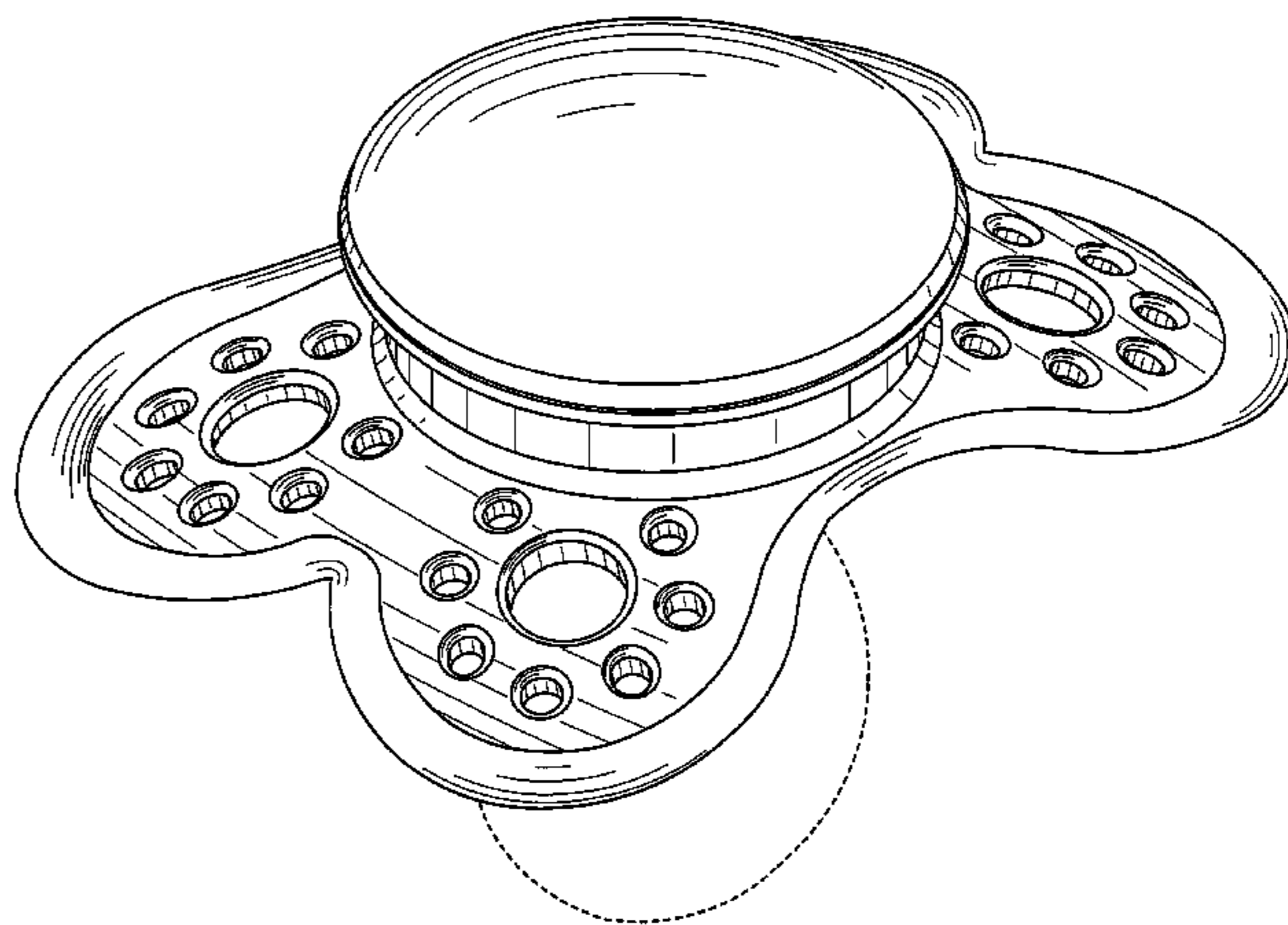
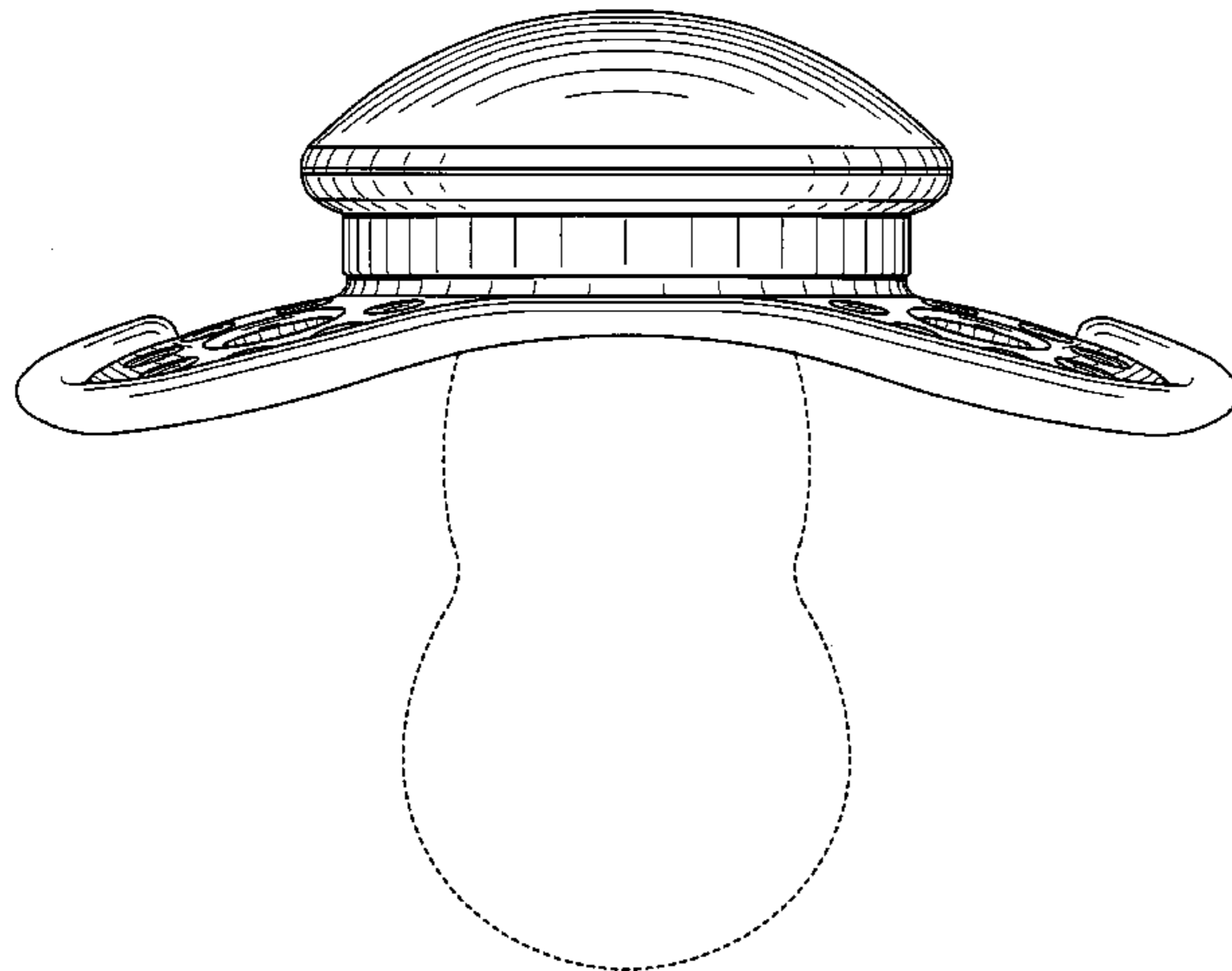
FIG. 3 is a top and left side perspective view thereof;

FIG. 4 is a top plan view thereof; and,

FIG. 5 is a bottom plan view thereof.

The broken lines illustrate portions of the pacifier which form no part of the claimed design.

**1 Claim, 5 Drawing Sheets**



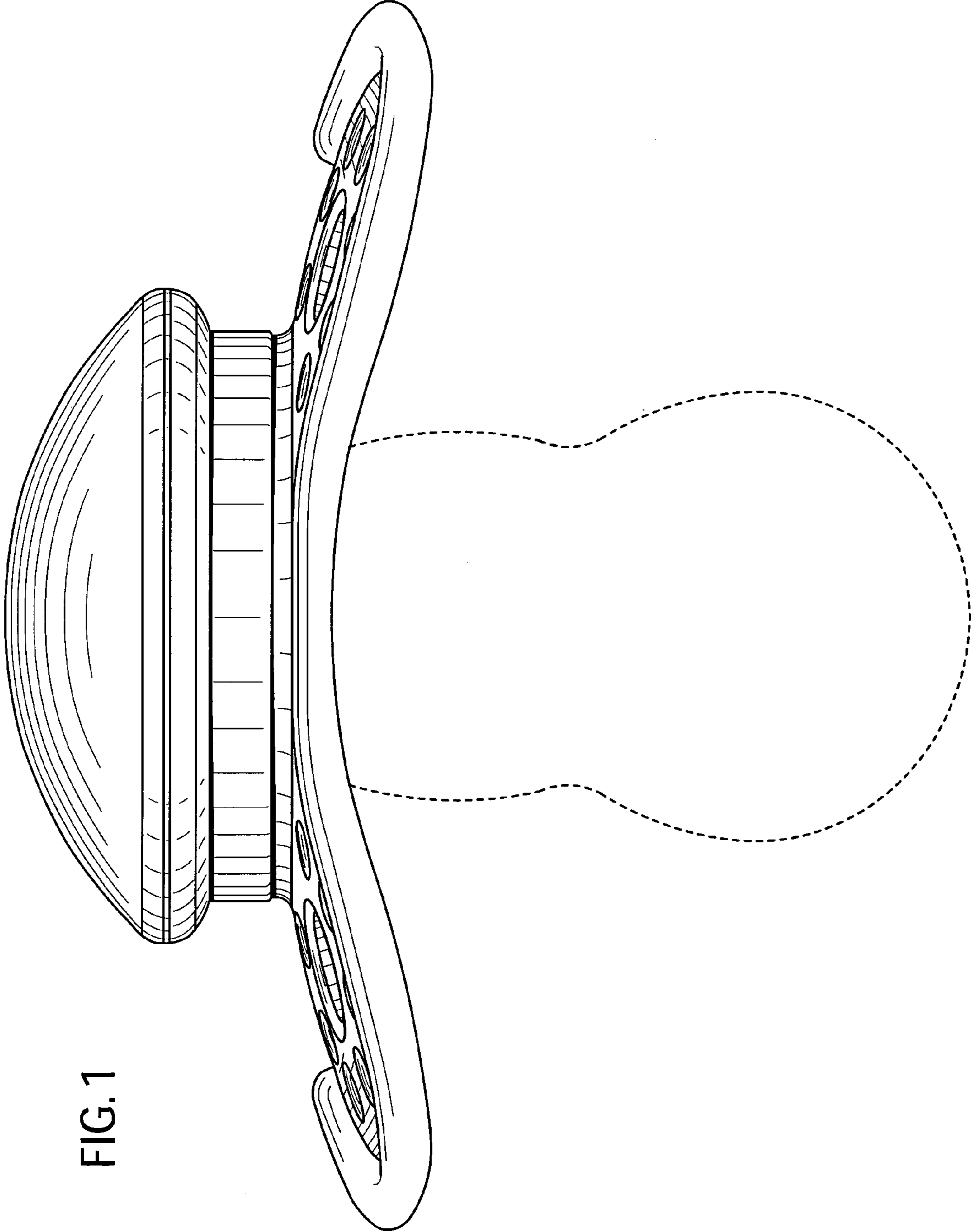


FIG. 1

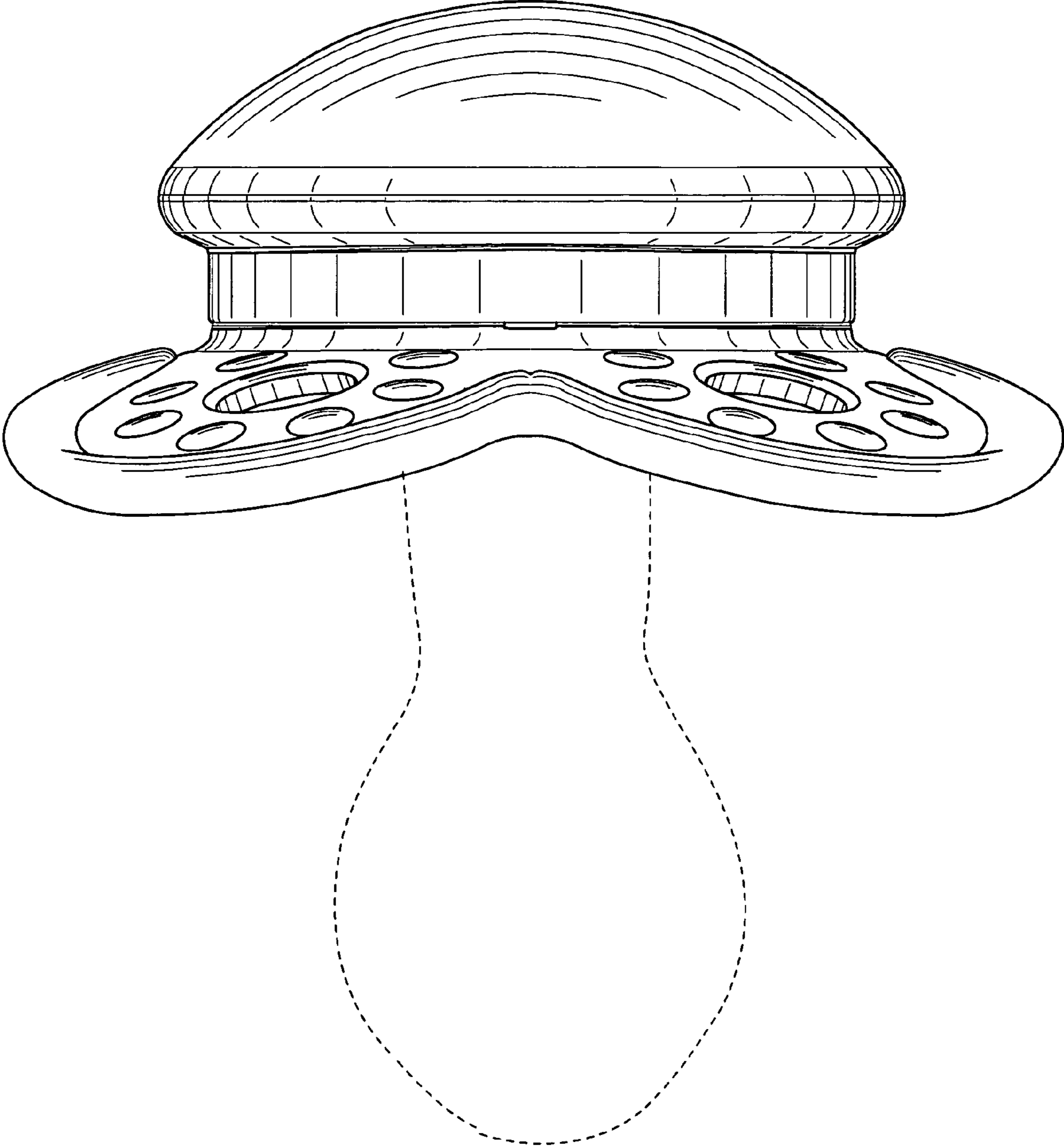


FIG. 2

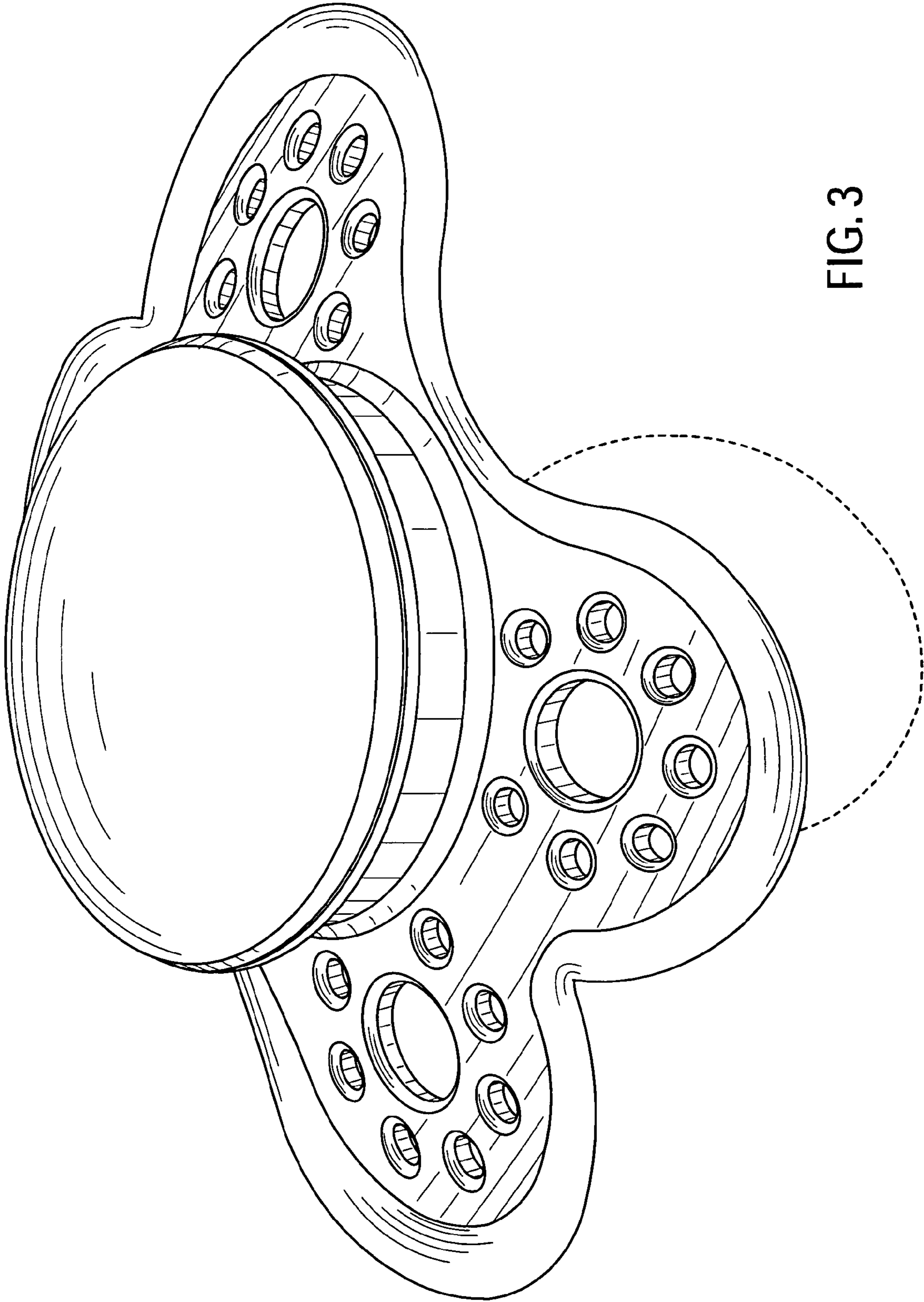


FIG. 3

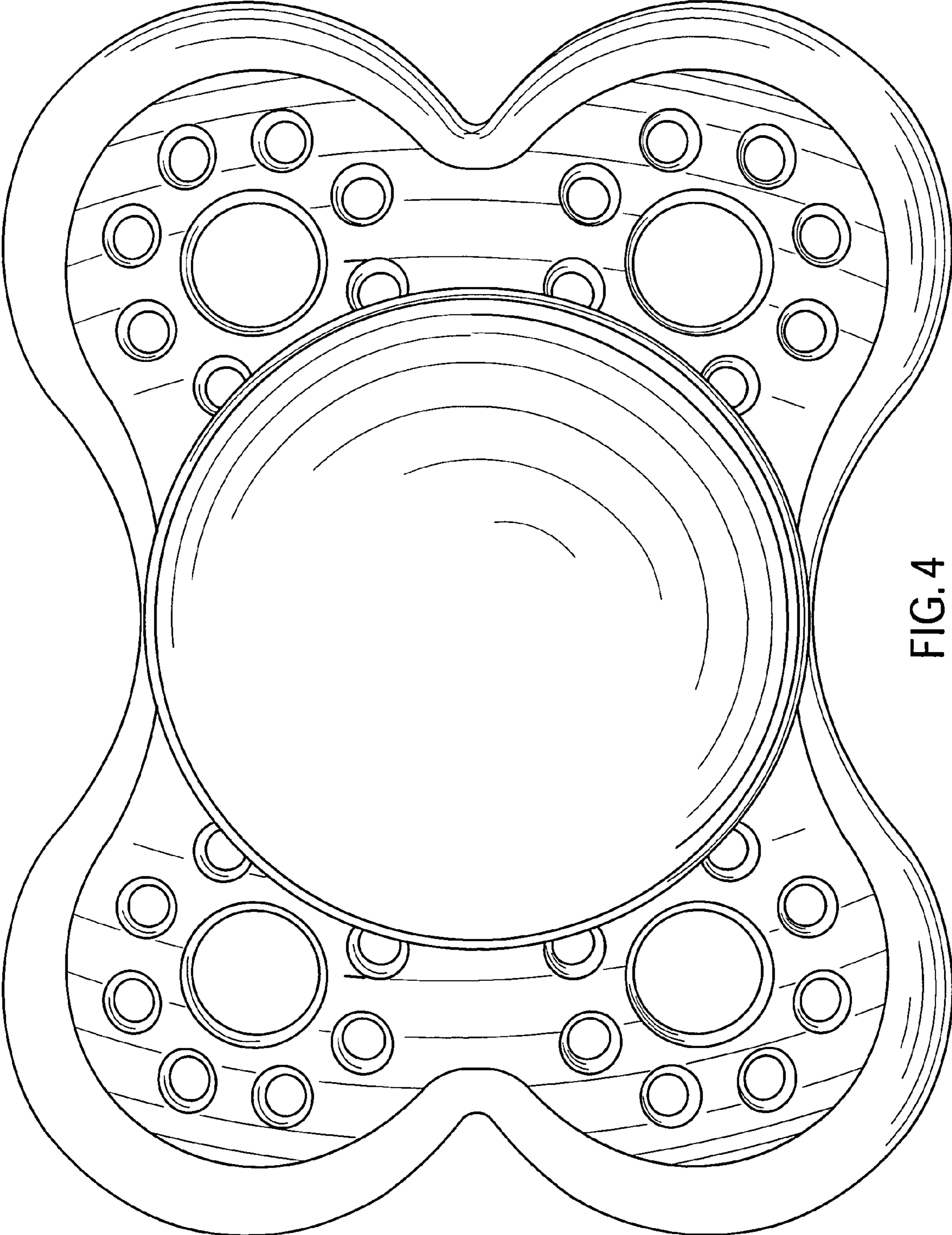


FIG. 4

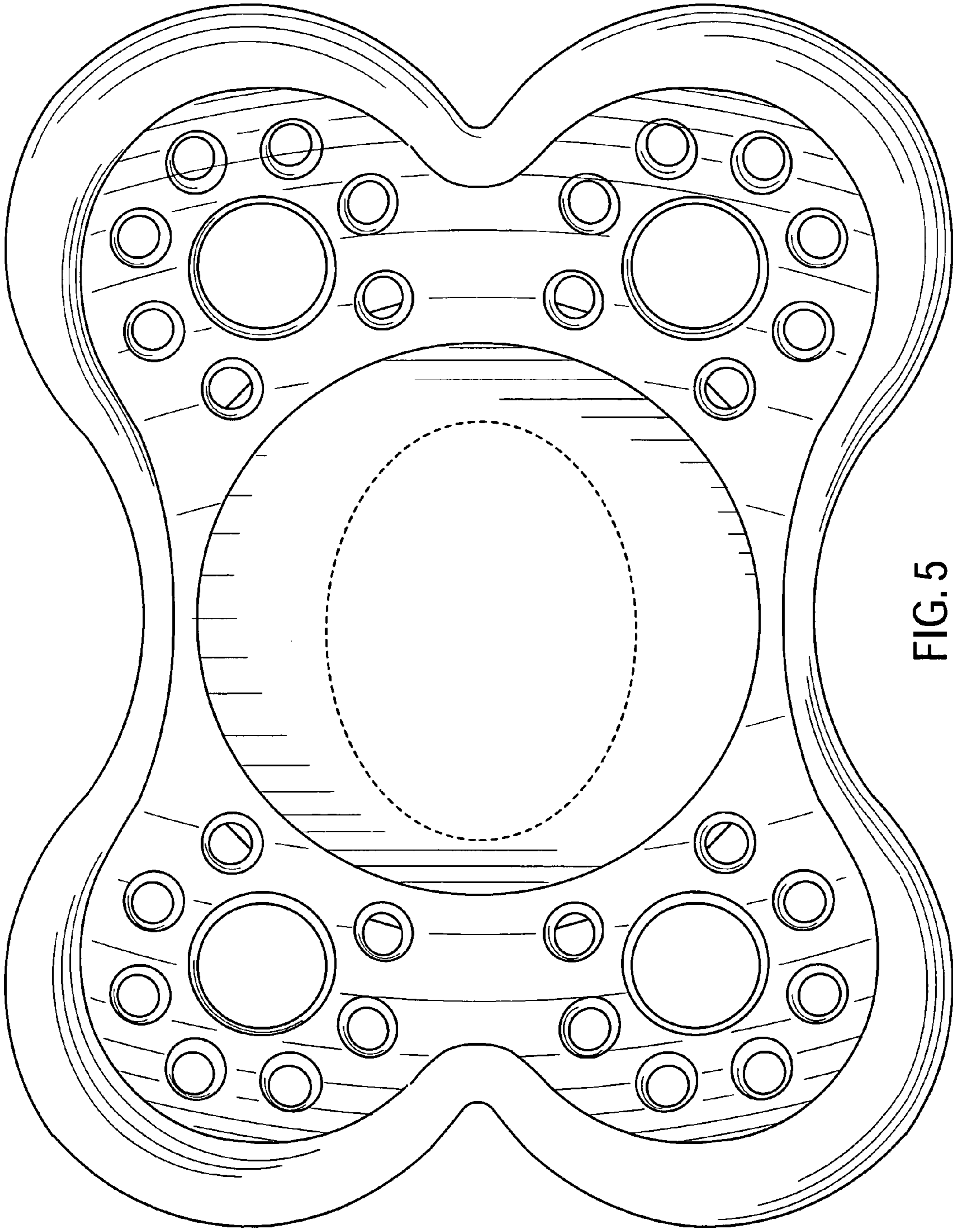


FIG. 5