



US00D609815S

(12) **United States Design Patent**
Patterson

(10) **Patent No.:** **US D609,815 S**

(45) **Date of Patent:** **** Feb. 9, 2010**

(54) **NECK BRACE SOCK**

(75) Inventor: **Geoff Patterson**, Valencia, CA (US)

(73) Assignee: **Leatt Corporation**, Las Vegas, NV (US)

(**) Term: **14 Years**

(21) Appl. No.: **29/297,349**

(22) Filed: **Nov. 8, 2007**

(51) **LOC (9) Cl.** **24-01**

(52) **U.S. Cl.** **D24/191**

(58) **Field of Classification Search** D24/188-192;
602/3-5, 17-18, 20-21, 62; 128/77, 94,
128/97.1, 869, 874, 878-880, DIG. 15, DIG. 23;
411/339

See application file for complete search history.

(56) **References Cited**

U.S. PATENT DOCUMENTS

3,320,950	A *	5/1967	McElvenny	602/18
3,810,466	A *	5/1974	Rogers	602/18
D348,174	S *	6/1994	Genis	D6/601
D355,490	S *	2/1995	Maynard	D24/191
D365,398	S *	12/1995	Maynard	D24/191
D422,710	S *	4/2000	Maynard	D24/190
6,071,256	A *	6/2000	Lam	602/18
D556,331	S *	11/2007	Moore	D24/191
2006/0253055	A1 *	11/2006	Lindbery	602/3

* cited by examiner

Primary Examiner—Philip S Hyder

Assistant Examiner—Susan E Krakower

(74) *Attorney, Agent, or Firm*—Connolly Bove Lodge & Hutz LLP

(57) **CLAIM**

The ornamental design for a neck brace sock, as shown and describe.

DESCRIPTION

FIG. 1 is a perspective view according to the invention.

FIG. 2 is a top plan view of the forward portion of the invention shown in FIG. 1.

FIG. 3 is a bottom plan view of the forward portion of the invention shown in FIG. 1.

FIG. 4 is a top plan view of the rear portion of the invention shown in FIG. 1; and,

FIG. 5 is a bottom plan view of the rear portion of the invention shown in FIG. 1.

The broken lines showing a neck brace illustrate environmental structure which form no part of the claimed design.

The broken lines showing connectors illustrate environmental structure which form no part of the claimed design.

The broken lines within the claimed design indicate stitch lines, which form no part of the claim.

It is understood that the neck brace sock has no appreciable thickness.

1 Claim, 3 Drawing Sheets

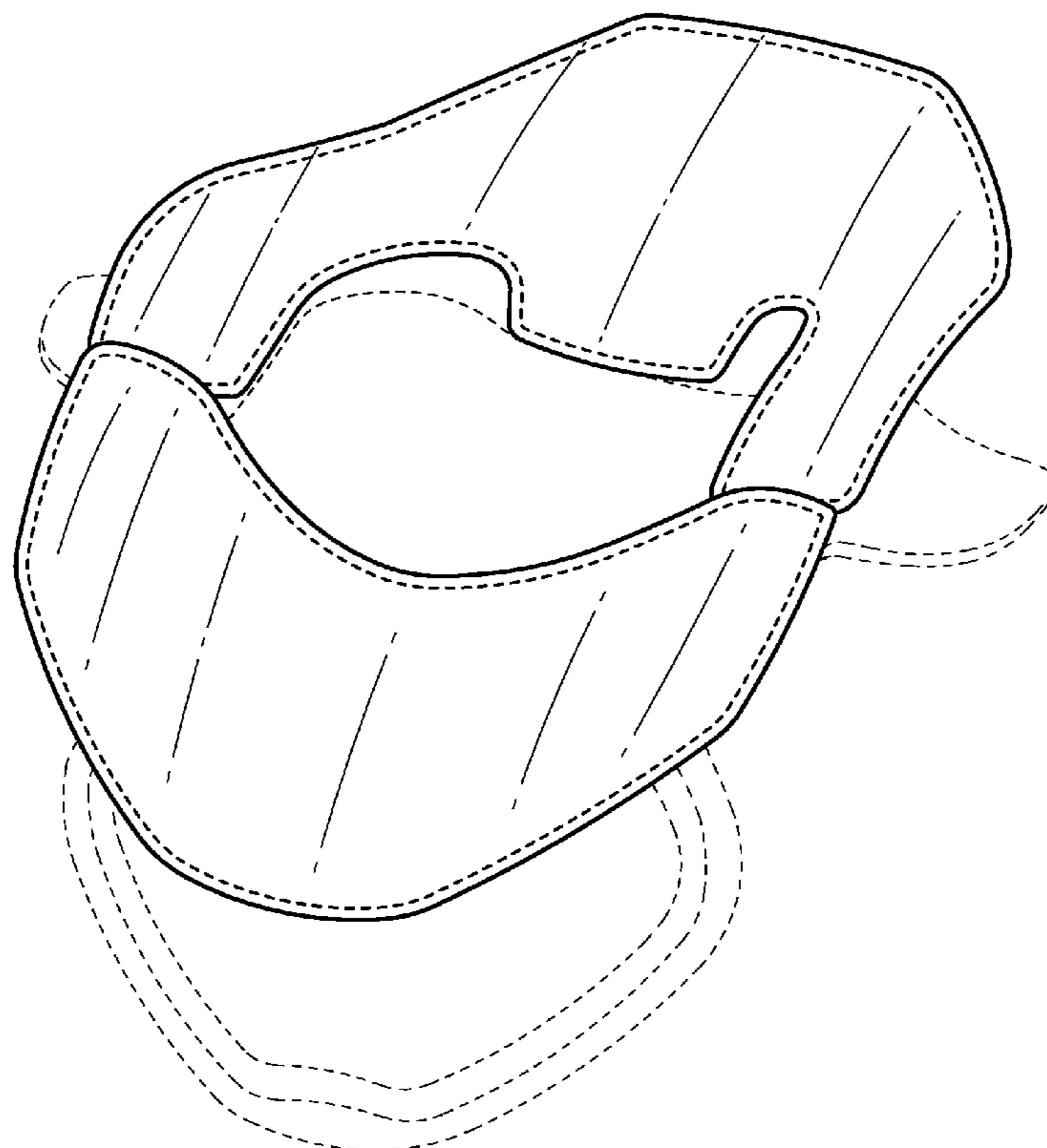


FIG. 1

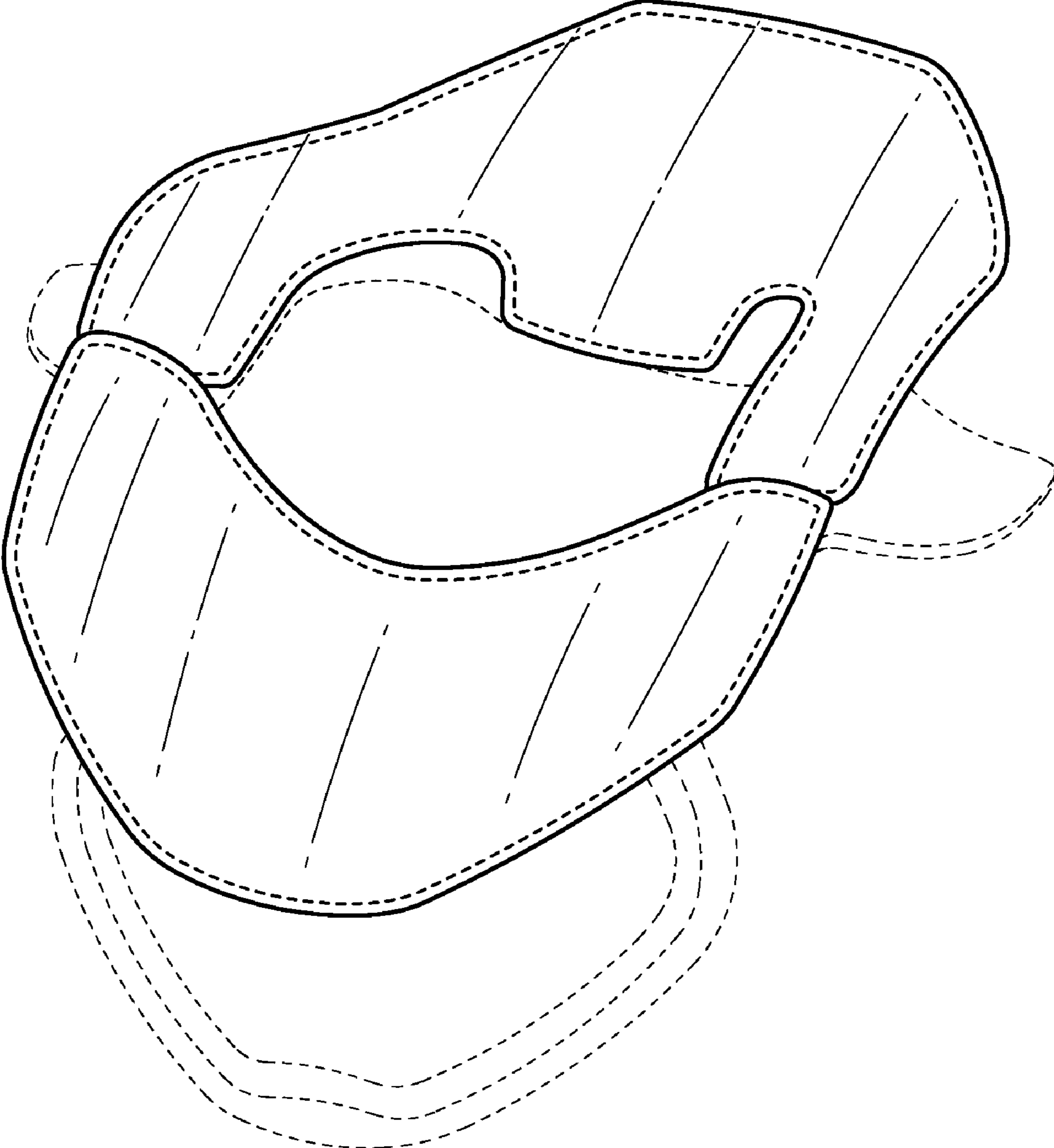


FIG. 2

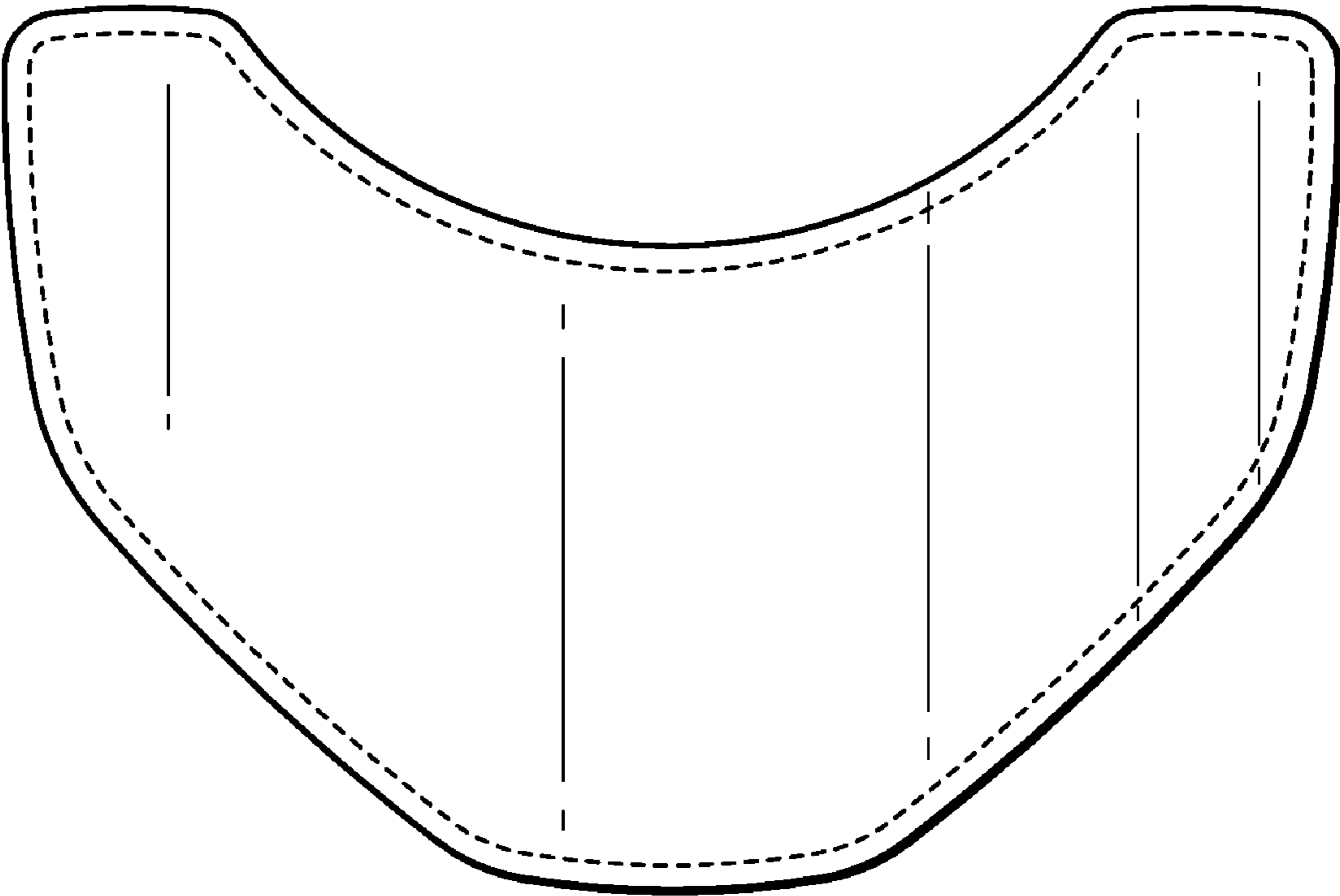


FIG. 3

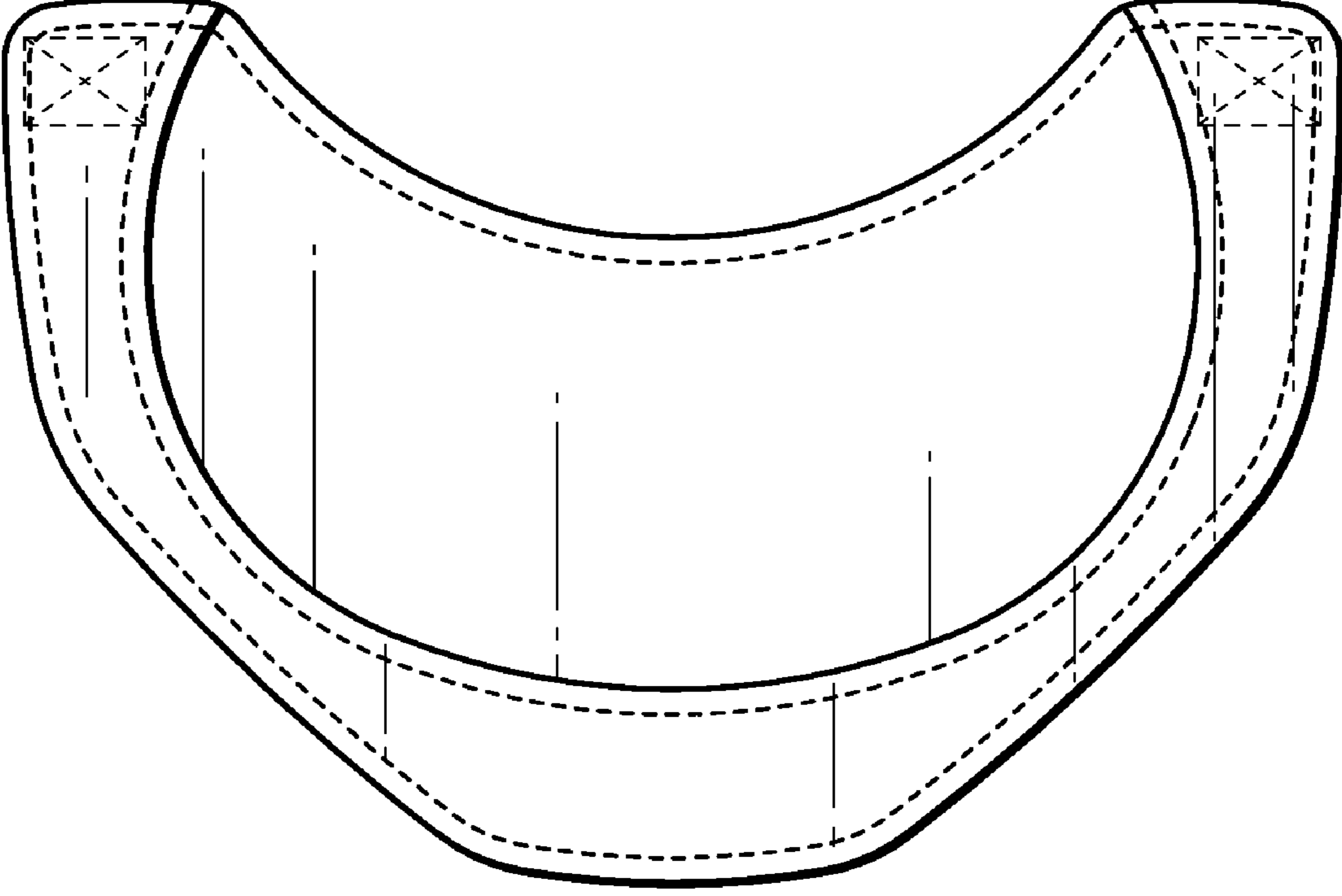


FIG. 4

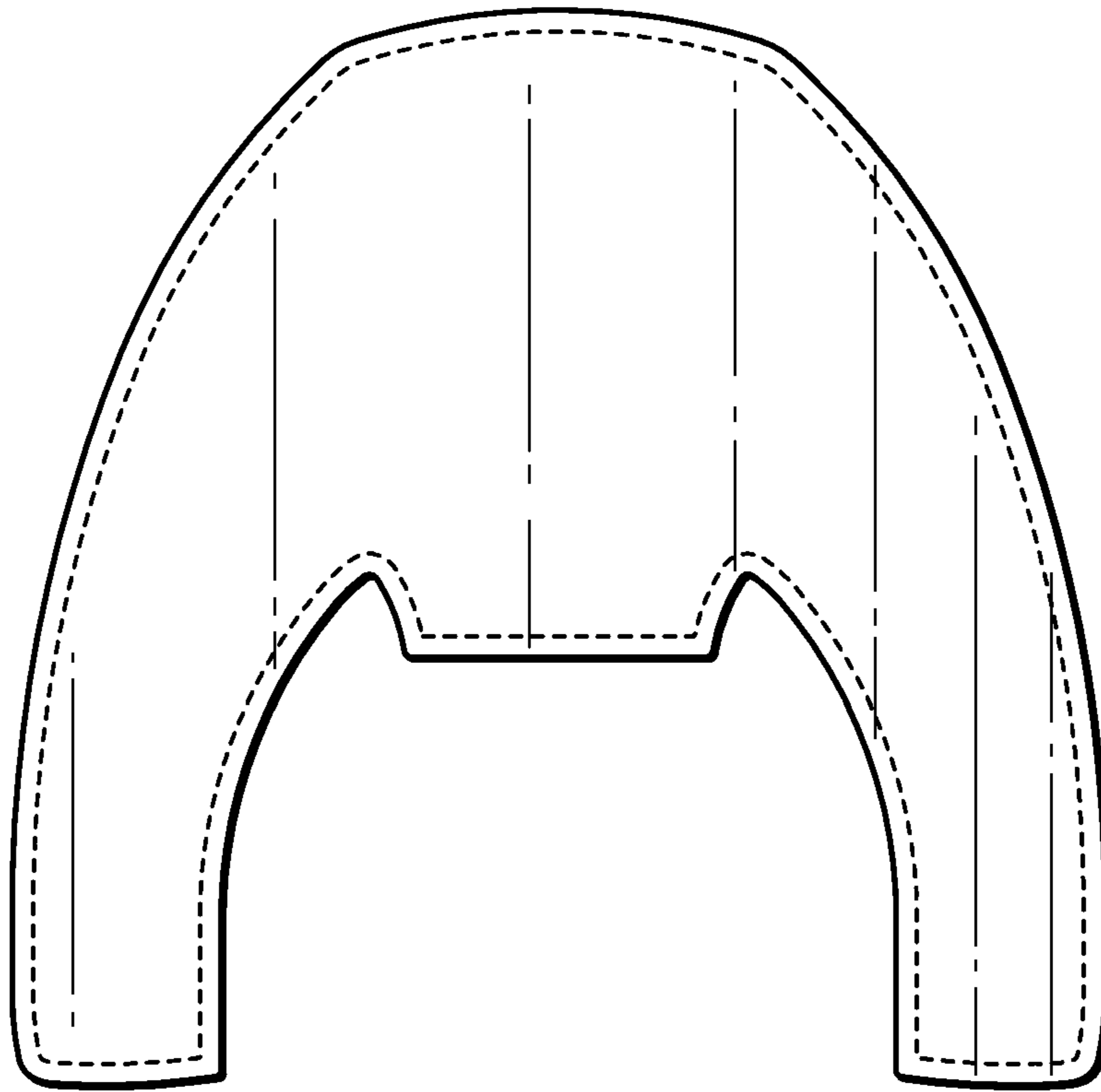


FIG. 5

