



US00D609811S

(12) **United States Design Patent**
Yokoyama et al.

(10) **Patent No.:** **US D609,811 S**

(45) **Date of Patent:** **** Feb. 9, 2010**

(54) **X-RAY IMAGING SYSTEM**

D555,243 S * 11/2007 Linev D24/158

(75) Inventors: **Masaru Yokoyama**, Tokyo (JP); **Atsushi Ninomiya**, Tokyo (JP); **Yoshimi Kasai**, Tokyo (JP); **Atsushi Hibino**, Tokyo (JP)

* cited by examiner

Primary Examiner—T. Chase Nelson

Assistant Examiner—Anhdao Doan

(73) Assignee: **Hitachi Medical Corporation**, Tokyo (JP)

(74) *Attorney, Agent, or Firm*—Antonelli, Terry, Stout & Kraus, LLP.

(**) Term: **14 Years**

(57) **CLAIM**

(21) Appl. No.: **29/309,856**

The ornamental design for a x-ray imaging system, as shown and described.

(22) Filed: **Oct. 28, 2008**

DESCRIPTION

(30) **Foreign Application Priority Data**

Apr. 28, 2008 (JP) 2008-010825

FIG. 1 is a front, top and right side perspective view of a x-ray imaging system showing our new design;

(51) **LOC (9) Cl.** **24-01**

FIG. 2 is a front elevational view thereof;

(52) **U.S. Cl.** **D24/159**

FIG. 3 is a rear side elevational view thereof;

(58) **Field of Classification Search** D24/158-161, D24/186; 378/4, 6, 21-27, 146, 195-197, 378/208, 209; 324/307, 309, 310, 321, 322; 396/2, 5

FIG. 4 is a top plan elevational view thereof;

FIG. 5 is a bottom plan view thereof;

See application file for complete search history.

FIG. 6 is a right side view thereof; and,

FIG. 7 is a left side elevational view thereof.

(56) **References Cited**

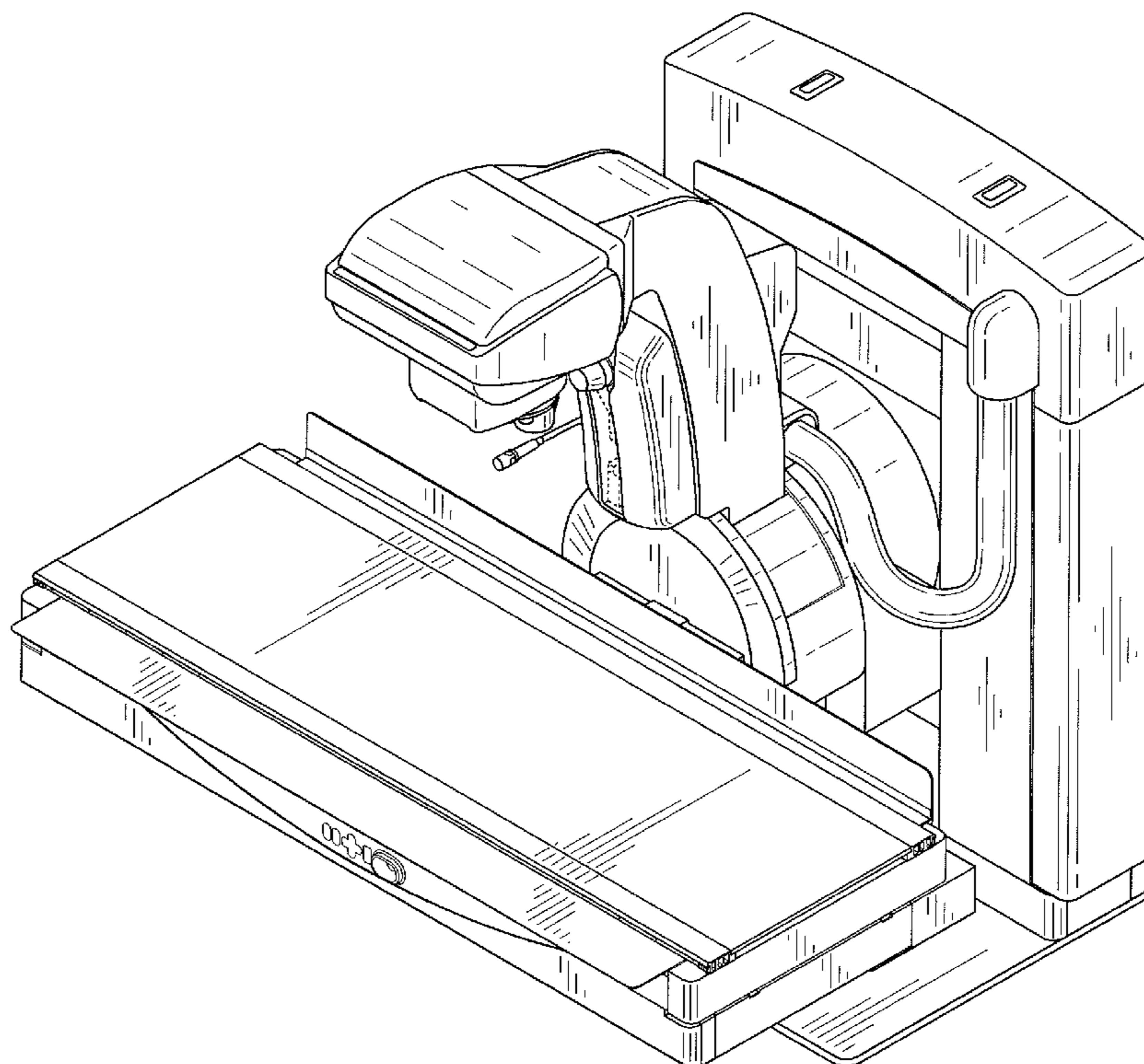
In FIG. 1, the bed portion is shown in a lower position relative to the base portion than in FIGS. 2, 3, 6, and 7.

U.S. PATENT DOCUMENTS

The broken lines in the drawing figures are included for the purpose of illustrating portions of the x-ray imaging device that form no part of the claimed design.

- 4,829,547 A * 5/1989 Mustain 378/196
- D366,701 S * 1/1996 Mazess et al. D24/159
- 7,177,393 B2 * 2/2007 Kanemitsu 378/209
- D550,843 S * 9/2007 Lenfant et al. D24/159

1 Claim, 7 Drawing Sheets



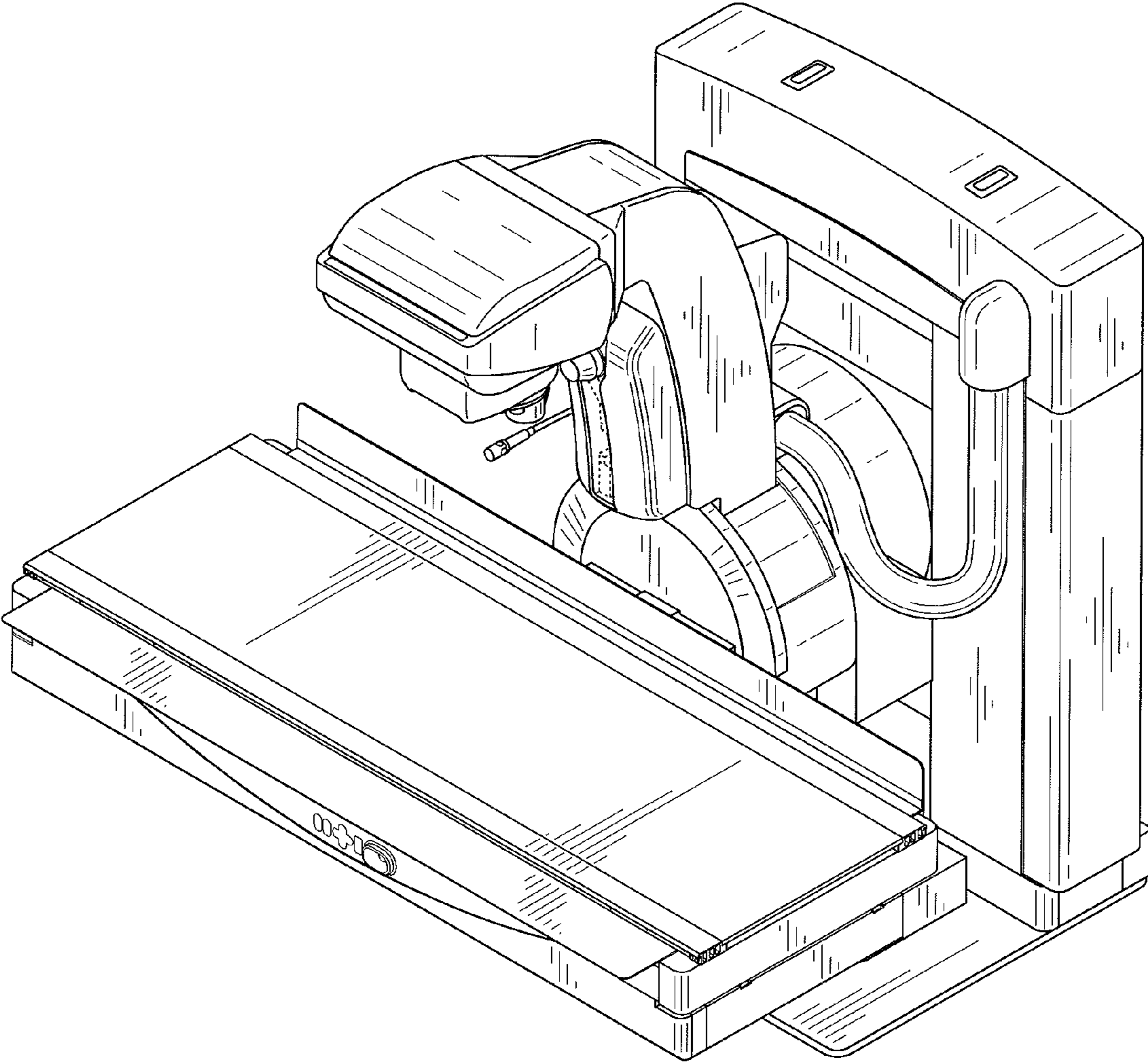


FIG. 1

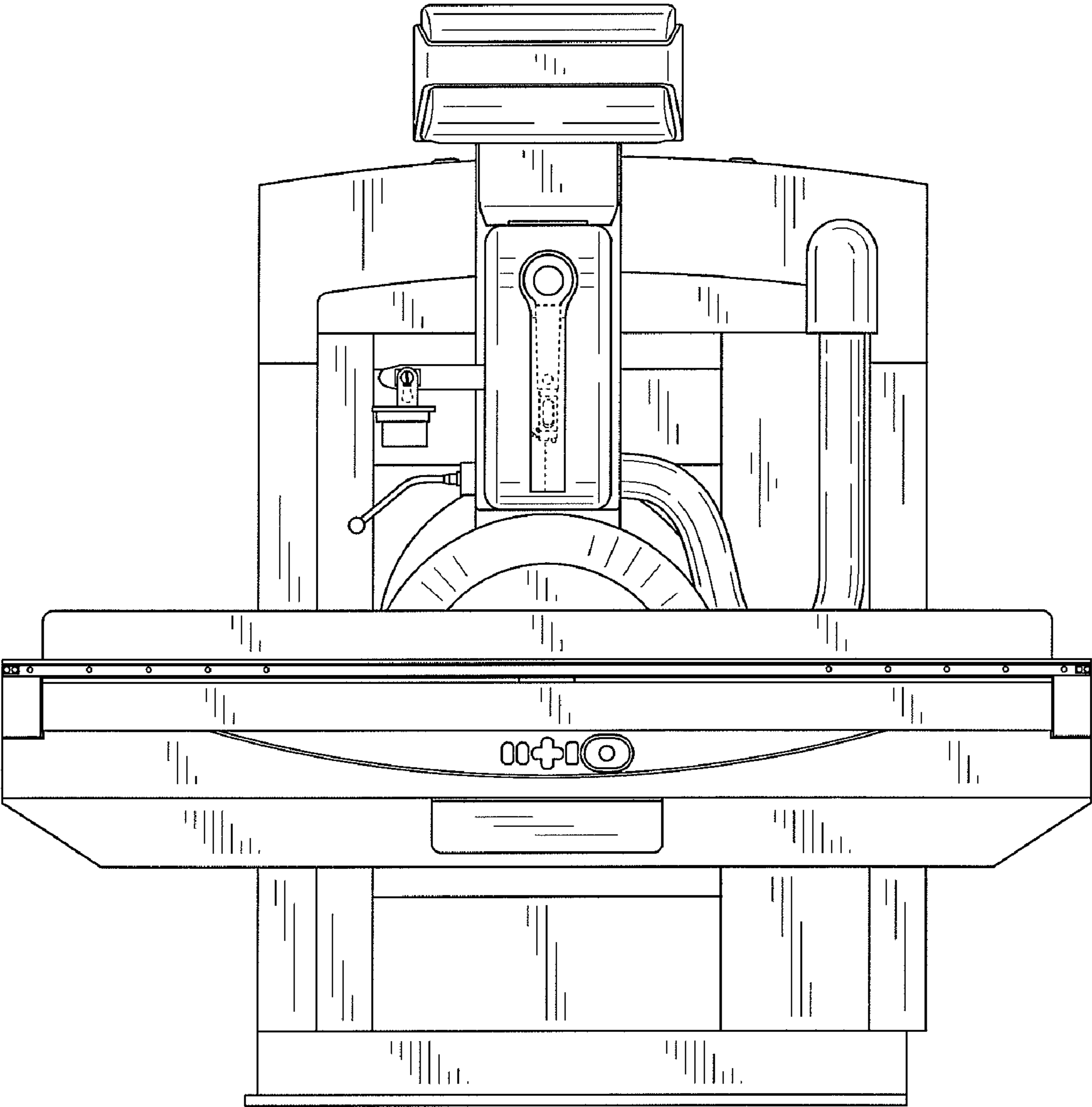


FIG. 2

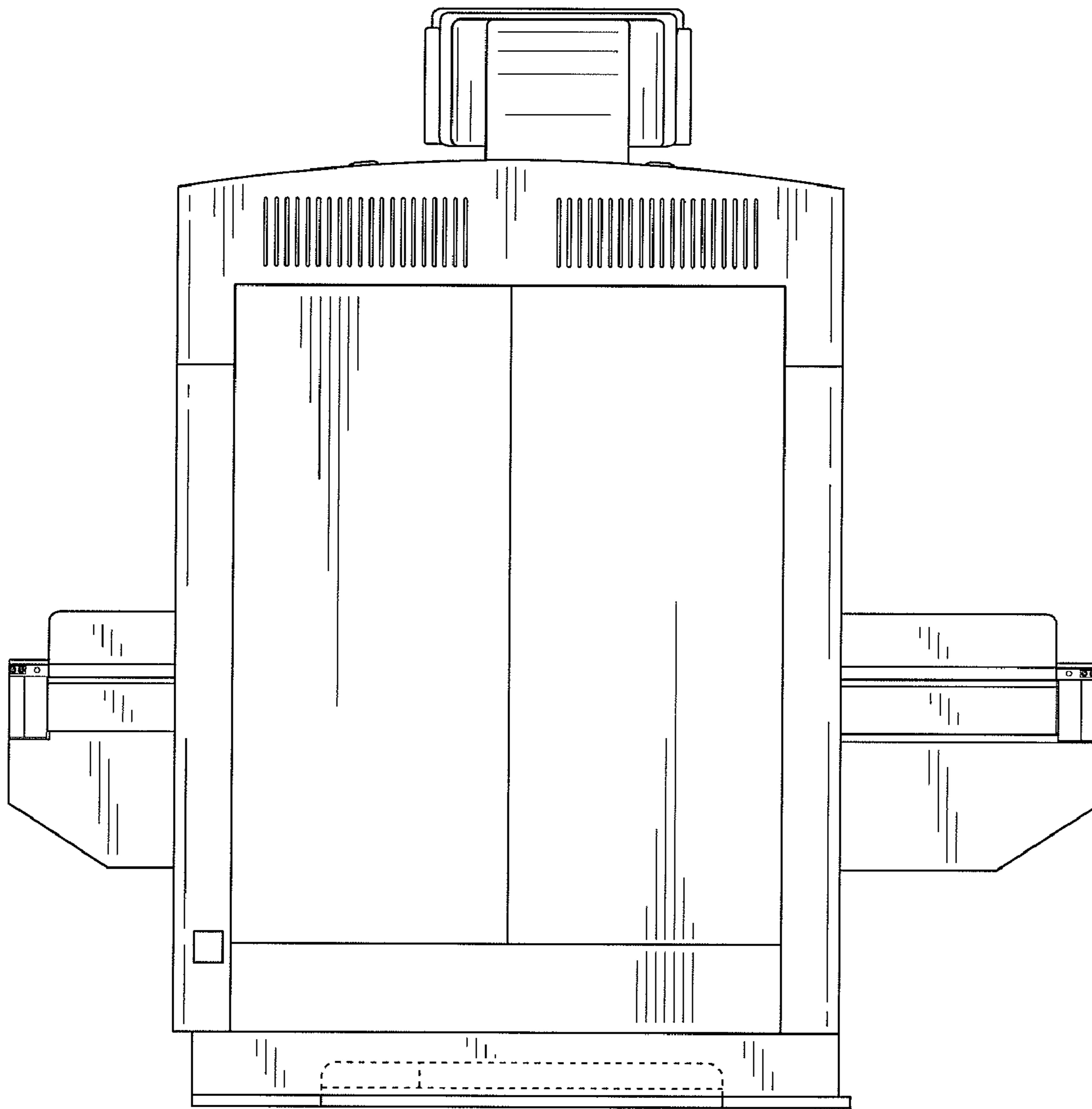


FIG. 3

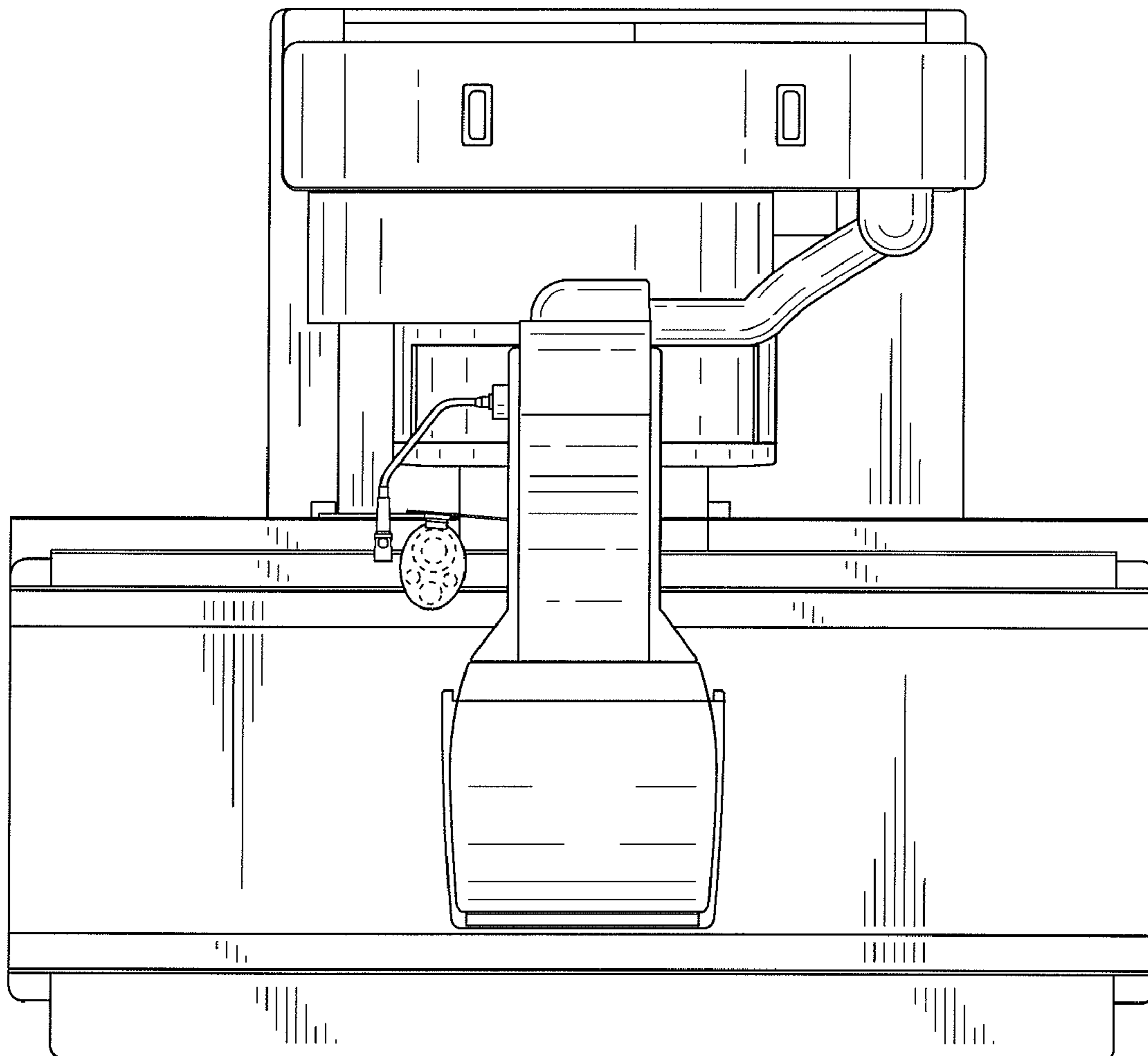


FIG. 4

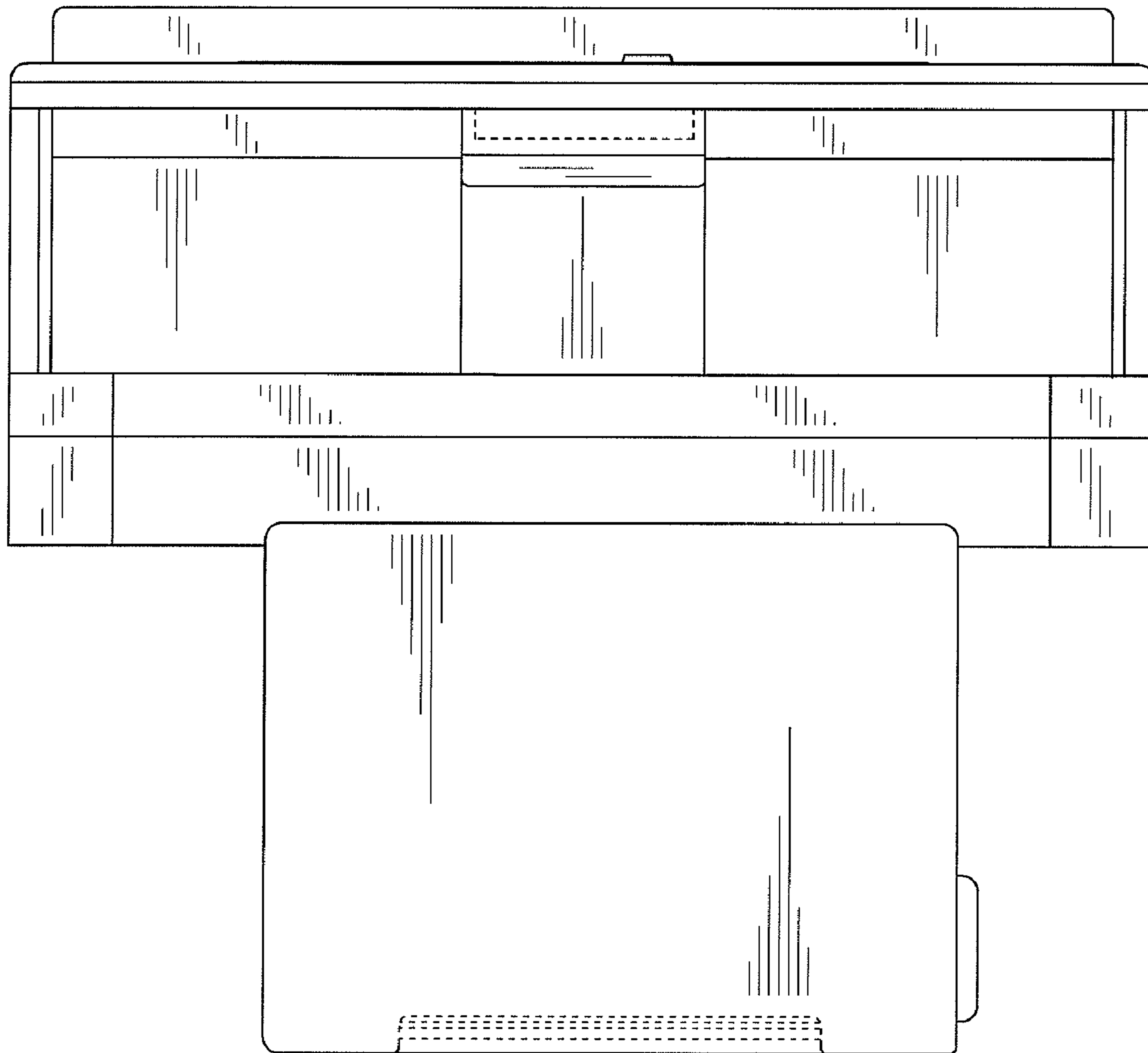


FIG. 5

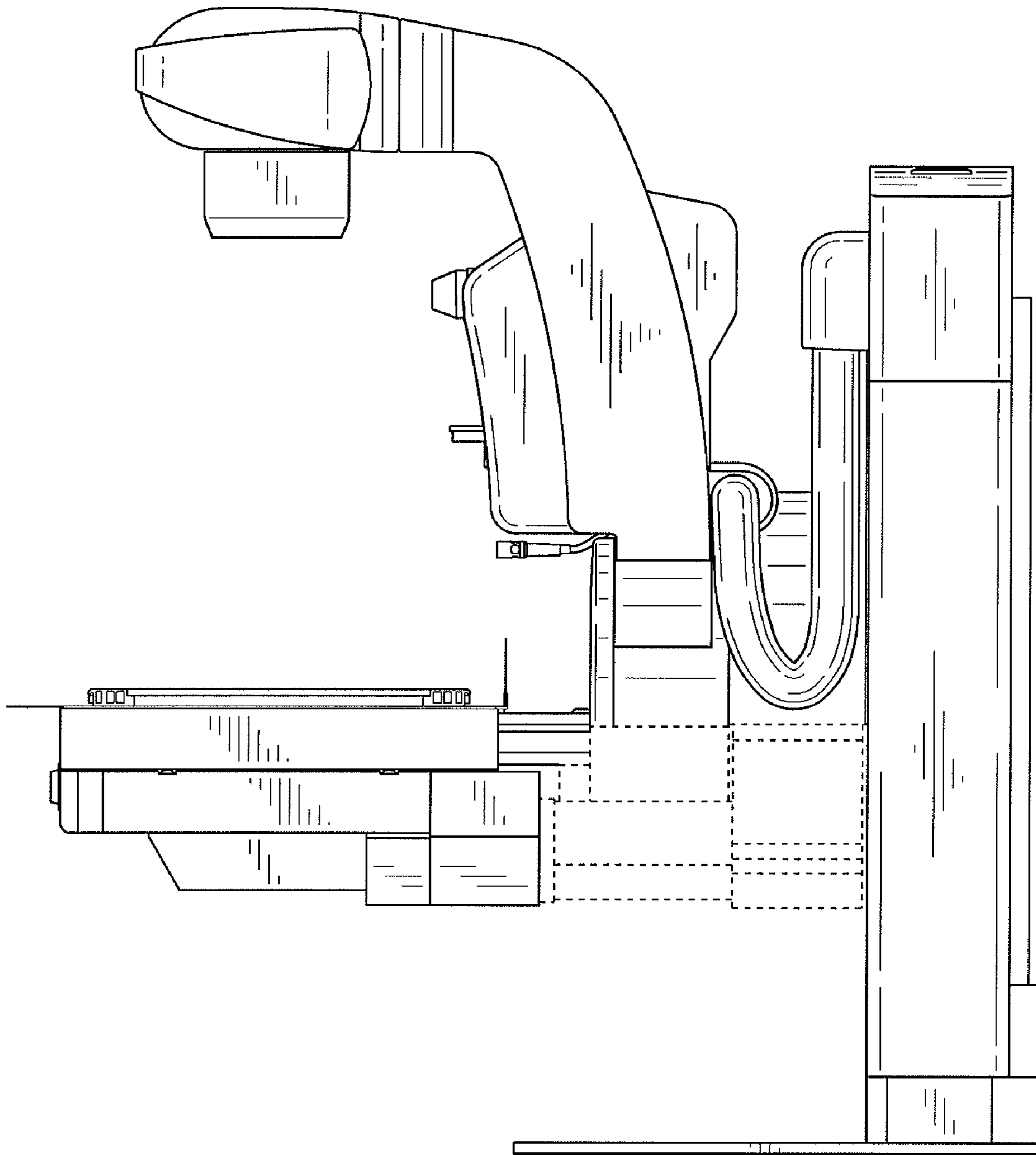


FIG. 6

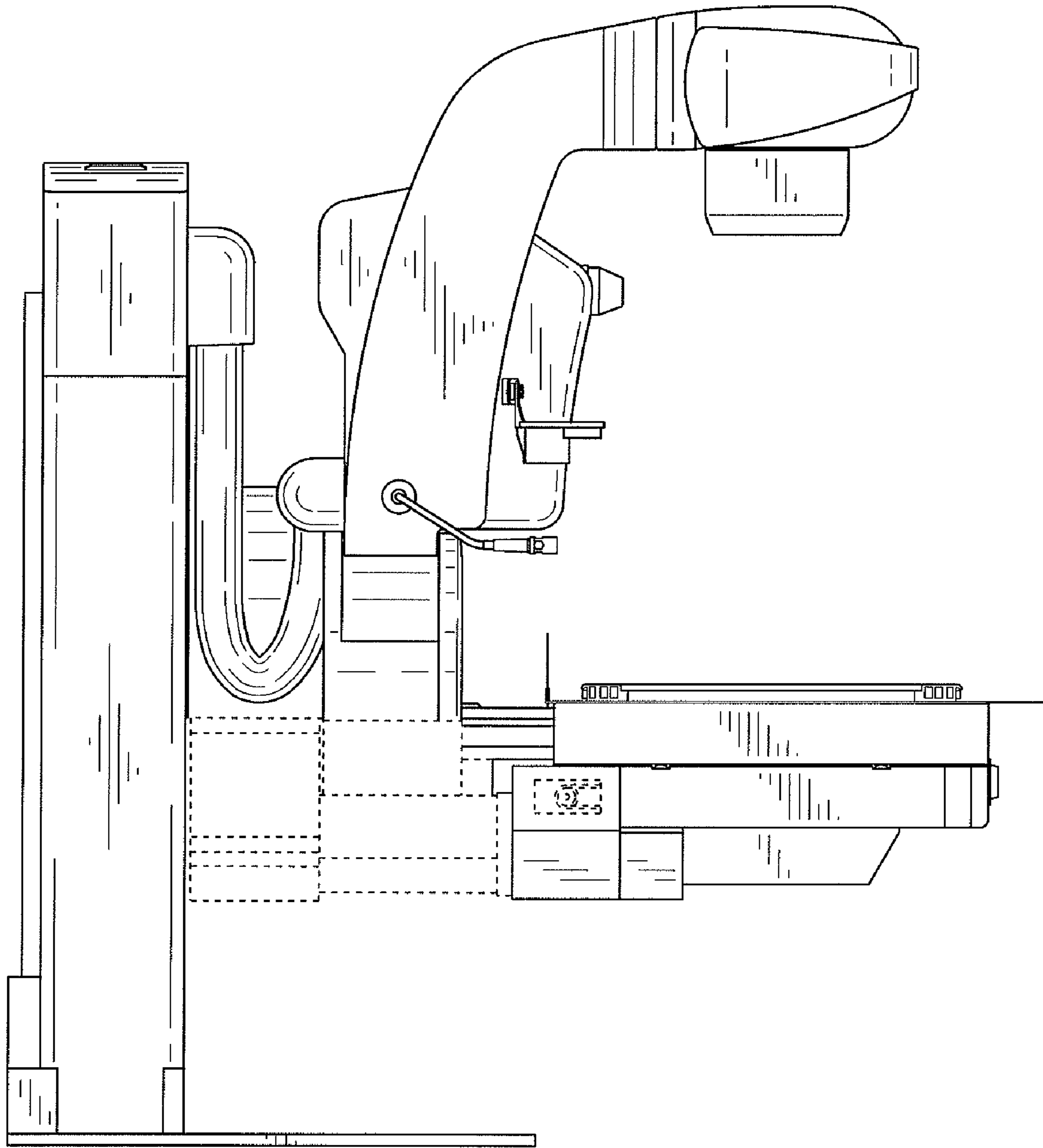


FIG. 7