

US00D609808S

(12) **United States Design Patent**
Tenger et al.

(10) **Patent No.:** **US D609,808 S**

(45) **Date of Patent:** **** Feb. 9, 2010**

(54) **LARYNGOSCOPE BLADE**

D581,532 S * 11/2008 Cranton et al. D24/137
2003/0191459 A1 10/2003 Ganz et al.

(75) Inventors: **James P. Tenger**, Carlsbad, CA (US);
Leslie A. Tenger, Carlsbad, CA (US);
John R. Hicks, Carlsbad, CA (US)

(Continued)

(73) Assignee: **Intubrite, LLC**, Rancho Santa Fe, CA
(US)

FOREIGN PATENT DOCUMENTS

KR 1020070044379 4/2007

(**) Term: **14 Years**

(Continued)

(21) Appl. No.: **29/332,191**

OTHER PUBLICATIONS

(22) Filed: **Feb. 10, 2009**

International Search Report and Written Opinion for PCT/US08/
074878 dated Mar. 19, 2009.

(51) **LOC (9) Cl.** **24-02**

(52) **U.S. Cl.** **D24/137**

(58) **Field of Classification Search** D24/133,
D24/135, 176, 152, 156, 140, 141, 143, 137,
D24/138; 600/206, 214, 164, 157, 156, 200,
600/113, 135, 138, 121, 131, 153; 606/191,
606/196, 197, 198; D8/32

Primary Examiner—Charles A. Rademaker

Assistant Examiner—Charles D Hanson

(74) *Attorney, Agent, or Firm*—Stephen C. Beuerle; Procopio
Cory Hargreaves & Savitch LLP

See application file for complete search history.

(57) **CLAIM**

The ornamental design for a laryngoscope blade, as shown
and described.

(56) **References Cited**

U.S. PATENT DOCUMENTS

D185,398 S *	6/1959	Todt	D24/138
D271,135 S *	10/1983	Greenblatt	D24/138
D297,363 S *	8/1988	Salerno et al.	D24/138
4,782,819 A	11/1988	Adair		
D337,384 S *	7/1993	Schucman	D24/138
D449,499 S *	10/2001	Voges	D8/32
6,459,919 B1	10/2002	Lys et al.		
6,569,089 B1	5/2003	Covington et al.		
D491,267 S *	6/2004	Ashraf	D24/137
6,809,499 B2	10/2004	Solingen		
6,876,446 B2	4/2005	Taylor et al.		
D512,778 S *	12/2005	Ashraf	D24/138
7,052,456 B2	5/2006	Simon		
D541,937 S *	5/2007	Yee	D24/137
D547,449 S *	7/2007	Ashraf	D24/137
D550,841 S *	9/2007	Berci et al.	D24/137
D554,255 S *	10/2007	Iqbal	D24/137
7,308,296 B2	12/2007	Lys et al.		
D559,982 S *	1/2008	Iqbal	D24/137

DESCRIPTION

FIG. 1 is a perspective view of an embodiment of the laryn-
goscope blade.

FIG. 2 is a top plan view of the laryngoscope blade.

FIG. 3 is a rear elevational view of the laryngoscope blade.

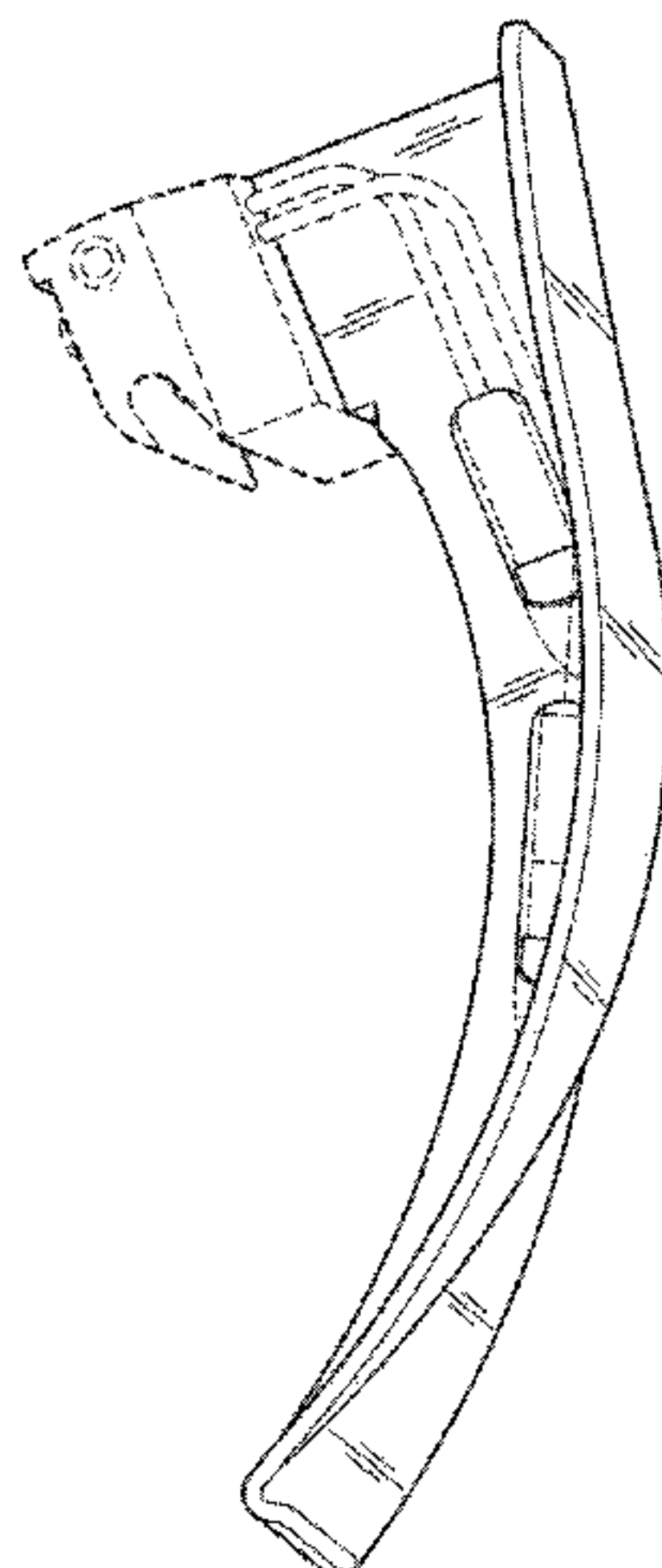
FIG. 4 is a right side elevational view of the laryngoscope
blade.

FIG. 5 is a left side elevational view of the laryngoscope
blade.

FIG. 6 is a bottom plan view of the laryngoscope blade; and,
FIG. 7 is a front elevational view of the laryngoscope blade.

The broken lines shown in FIGS. 1–7 are included for the
purpose of illustrating environmental elements only and form
no part of the claimed design.

1 Claim, 3 Drawing Sheets



US D609,808 S

Page 2

U.S. PATENT DOCUMENTS

2006/0069314 A1 3/2006 Farr
2007/0276185 A1 11/2007 Gono et al.
2007/0276191 A1 11/2007 Selover et al.
2008/0015560 A1 1/2008 Gowda et al.

2008/0045800 A2 2/2008 Farr

FOREIGN PATENT DOCUMENTS

WO 93/11700 6/1993

* cited by examiner

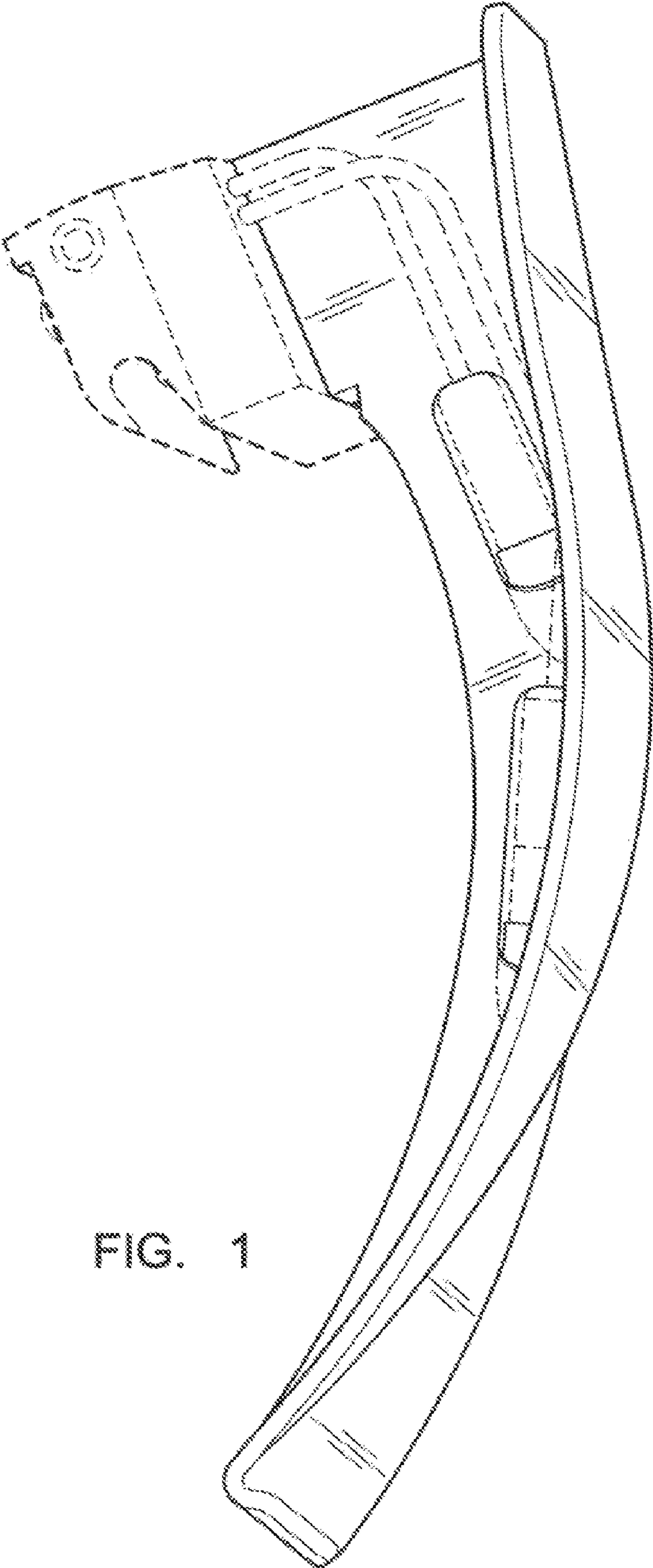


FIG. 1

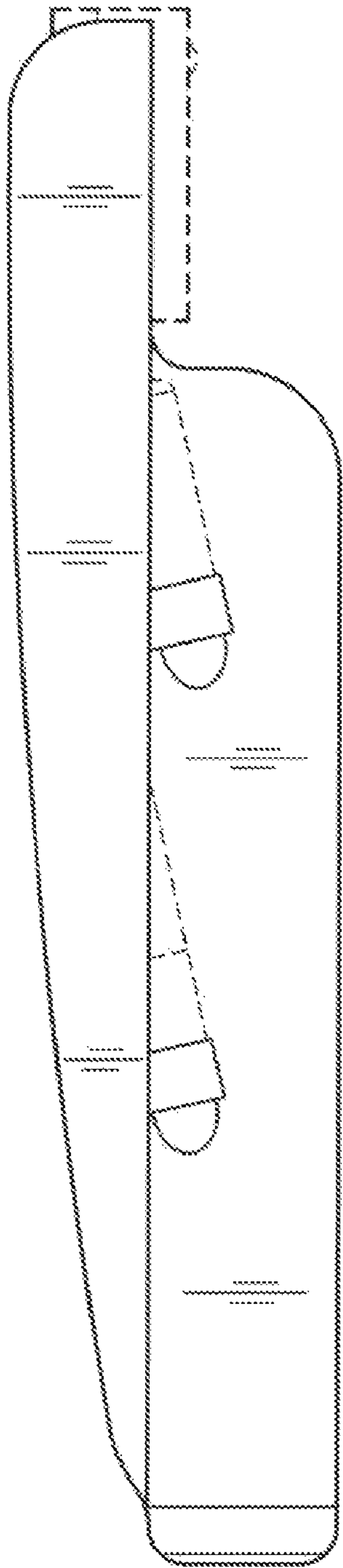


FIG. 2

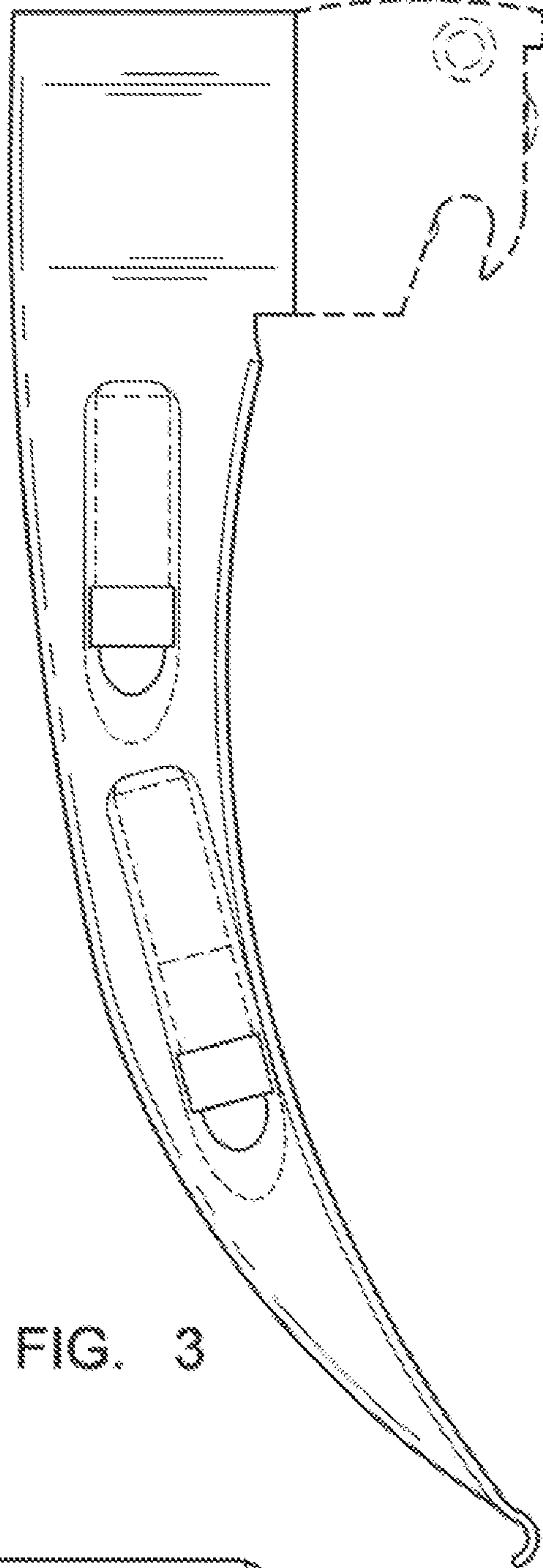


FIG. 3

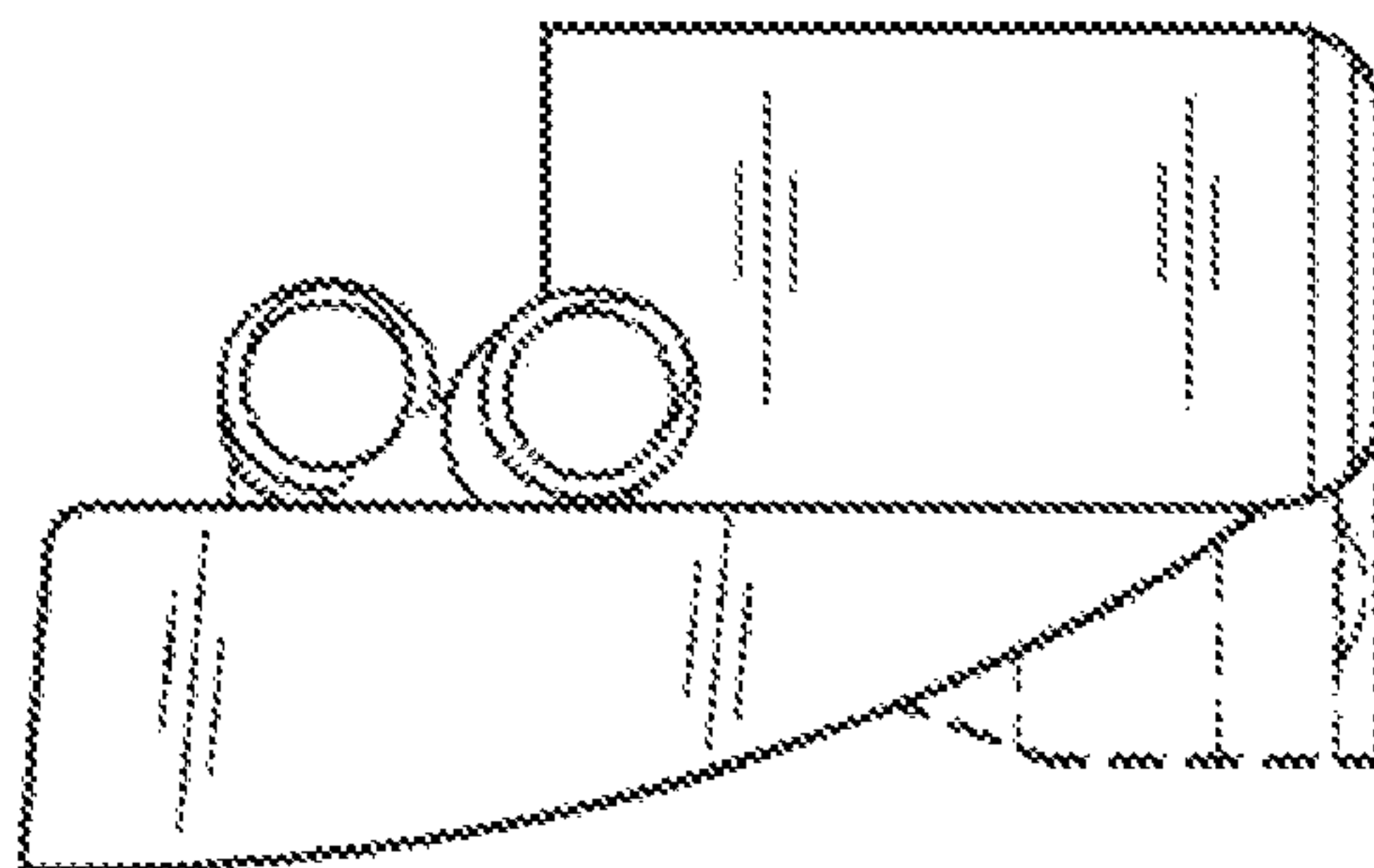


FIG. 4

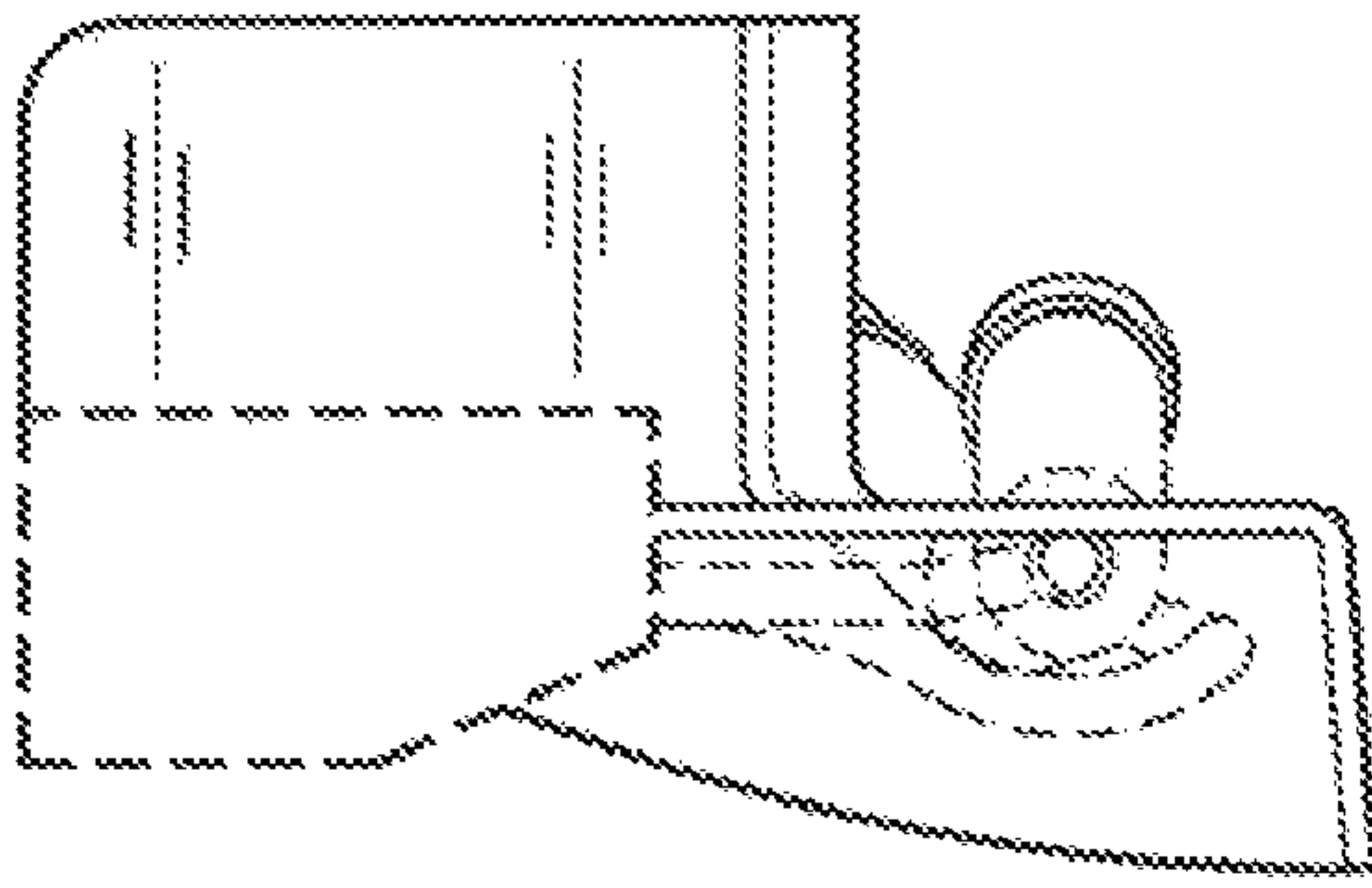


FIG. 5

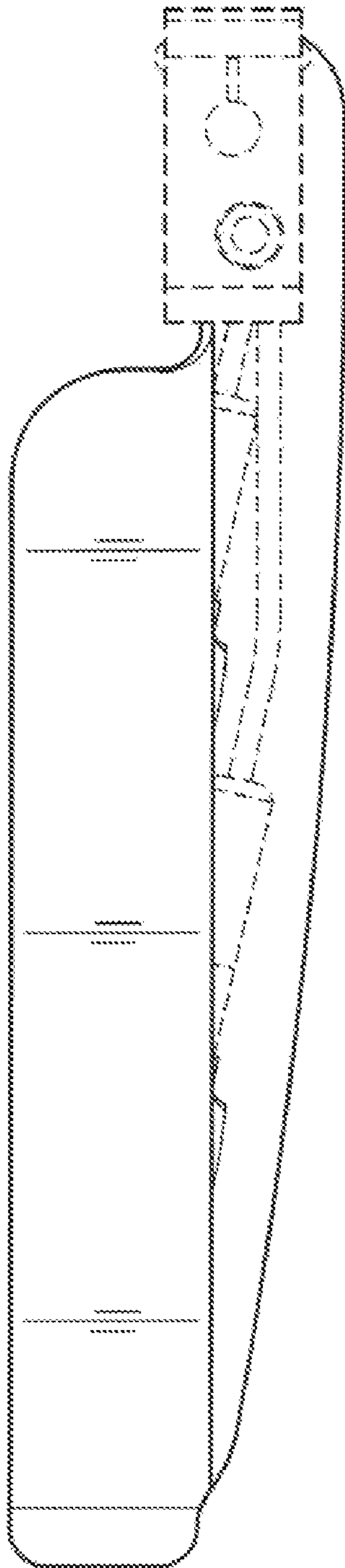


FIG. 6

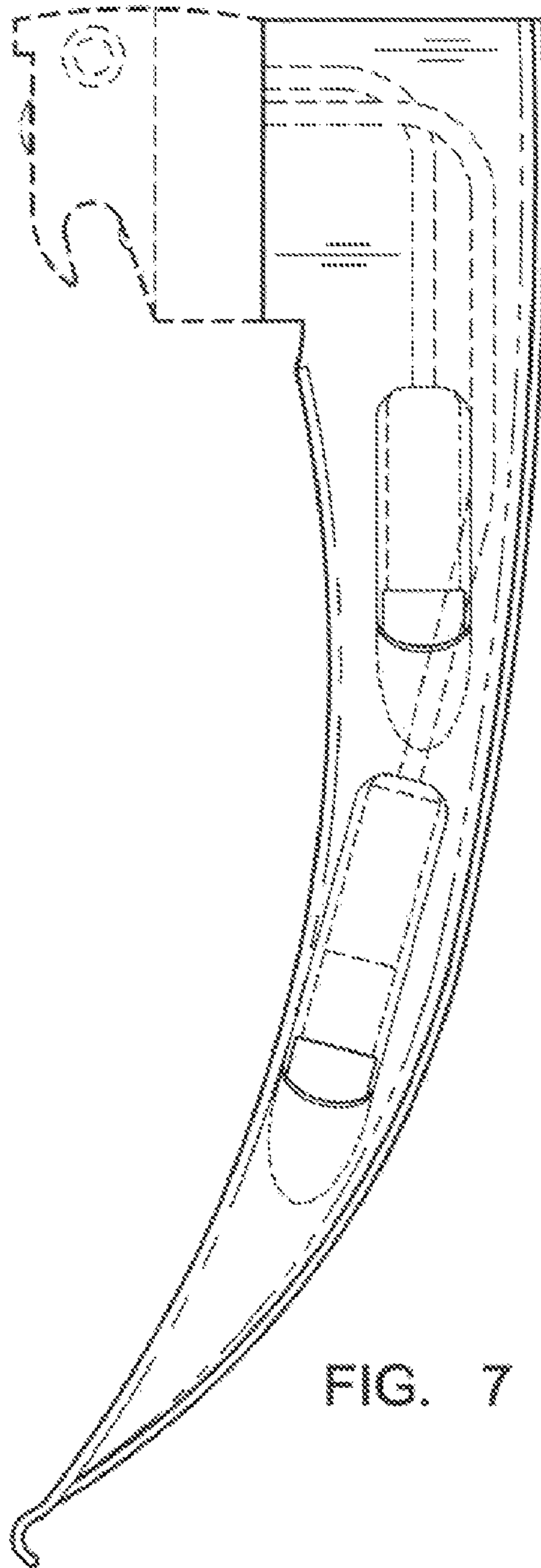


FIG. 7