

US00D609807S

(12) **United States Design Patent**
Hashimoto

(10) **Patent No.:** **US D609,807 S**
(45) **Date of Patent:** **** Feb. 9, 2010**

(54) **OPTICAL FIBER TERMINATING APPARATUS**

(75) Inventor: **Nobuhiro Hashimoto**, Shizuoka (JP)

(73) Assignee: **Tomoe-gawa Co., Ltd.**, Tokyo (JP)

(**) Term: **14 Years**

(21) Appl. No.: **29/290,852**

(22) Filed: **Jan. 22, 2008**

(30) **Foreign Application Priority Data**

Jul. 24, 2007 (JP) 2007-019977

(51) **LOC (9) Cl.** **24-02**

(52) **U.S. Cl.** **D24/133**

(58) **Field of Classification Search** D24/133,
D24/146, 147; 606/167, 170; 600/562, 564-567
See application file for complete search history.

(56) **References Cited**

U.S. PATENT DOCUMENTS

5,231,989 A * 8/1993 Middleman et al. 600/434
D512,506 S * 12/2005 Layne et al. D24/147
D601,251 S * 9/2009 Horton et al. D24/133

FOREIGN PATENT DOCUMENTS

JP 62-210404 9/1987
JP 64-55906 4/1989

JP 2001-152383 6/2001

OTHER PUBLICATIONS

Office Action for co-pending Japanese Application No. 2007-019977, mailed May 14, 2008, Japanese and English Translation 4 pages.

* cited by examiner

Primary Examiner—Lisa P Lichtenstein

(74) *Attorney, Agent, or Firm*—Nixon & Vanderhye P.C.

(57) **CLAIM**

The ornamental design for an optical fiber terminating apparatus, as shown and described.

DESCRIPTION

FIG. 1 is a perspective view of an optical fiber terminating apparatus.

FIG. 2 is a front elevation view thereof. A rear elevation view is symmetrical with the front elevation view. A top plan view and a bottom plan view are identical with the front elevation view.

FIG. 3 is a left side elevation view thereof.

FIG. 4 is a right side elevation view thereof.

FIG. 5 is an enlarged horizontal cross-sectional view of the central part of the front elevation view thereof; and,

FIG. 6 is a referential view showing use thereof, the optical fiber not forming a part of the claimed optical fiber terminating apparatus.

1 Claim, 6 Drawing Sheets

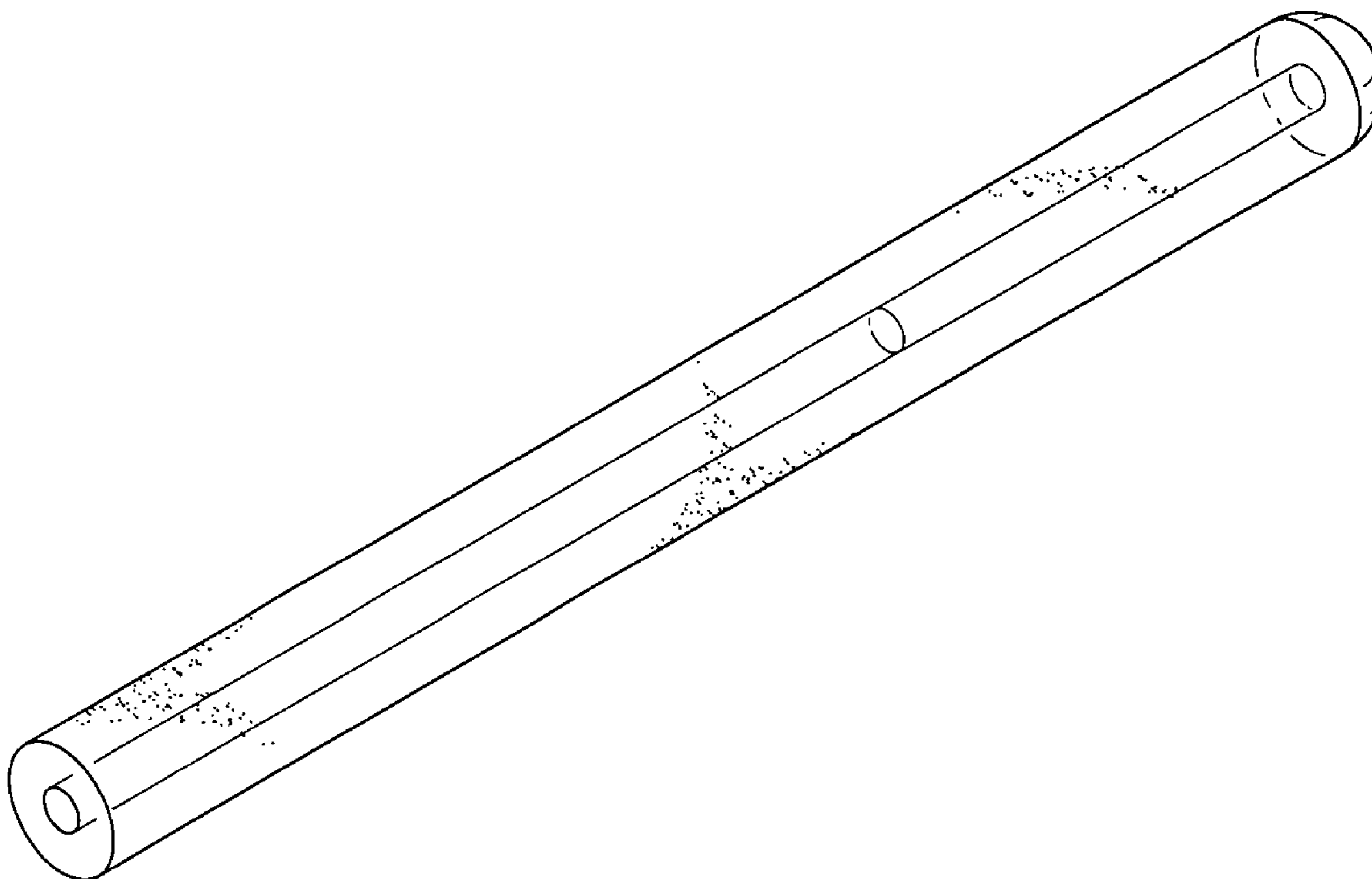


FIG. 1

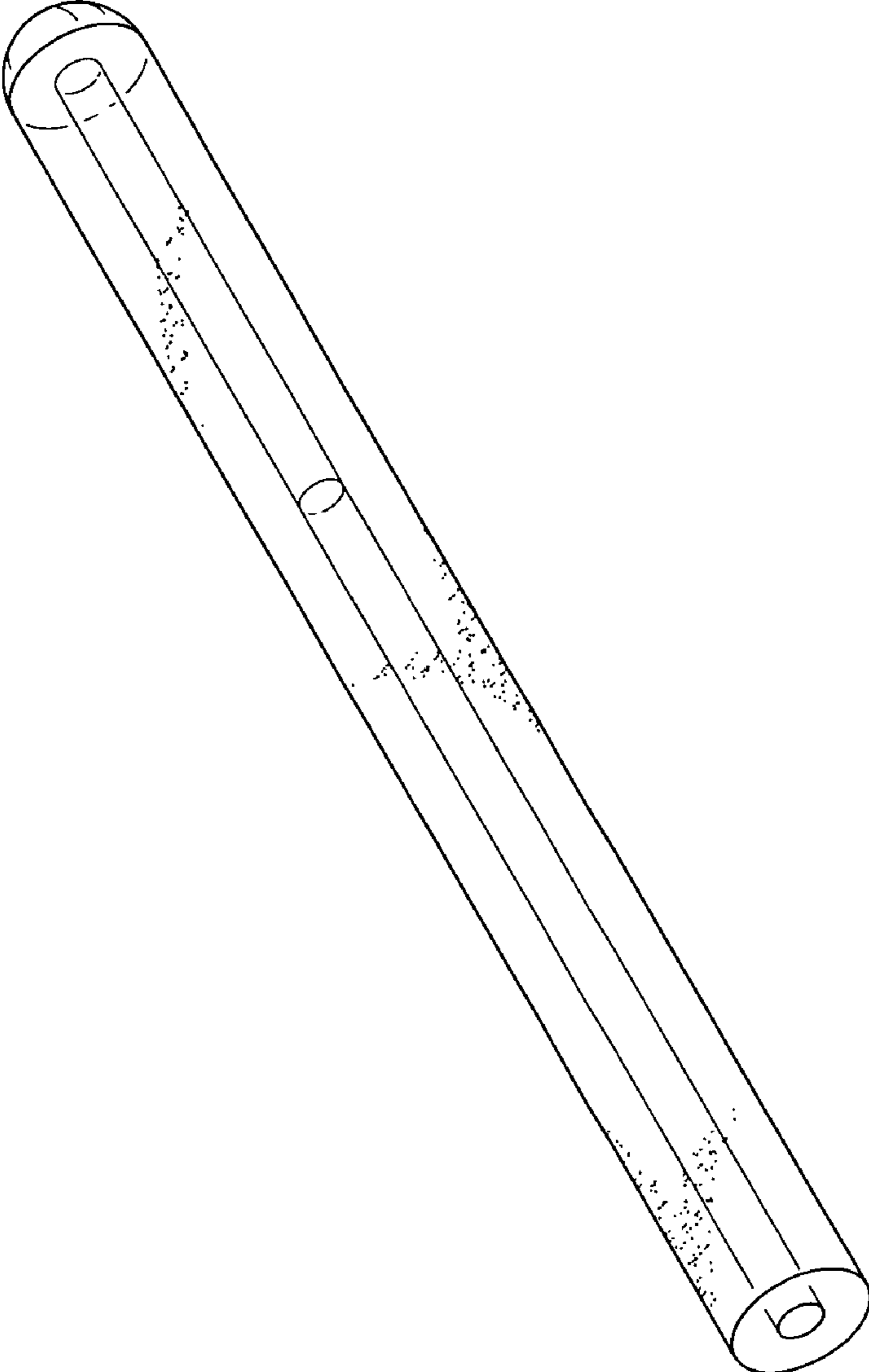


FIG. 2

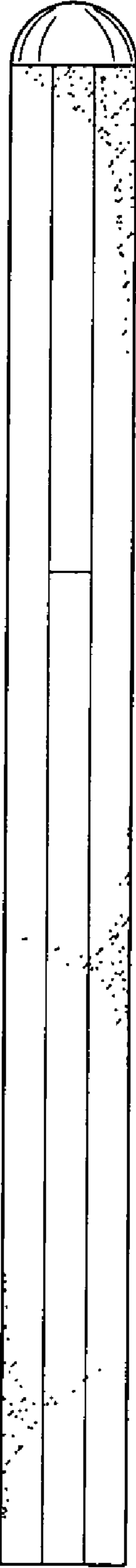


FIG. 3

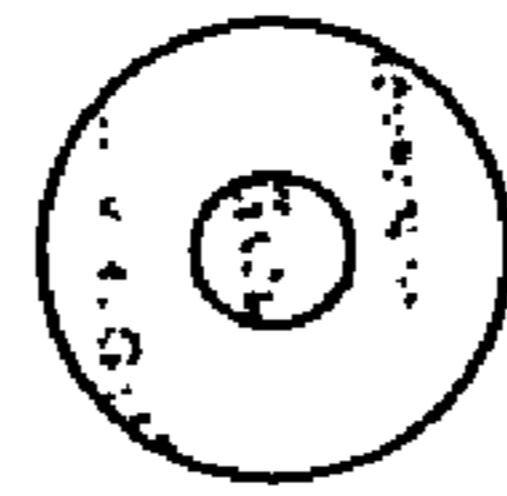


FIG. 4

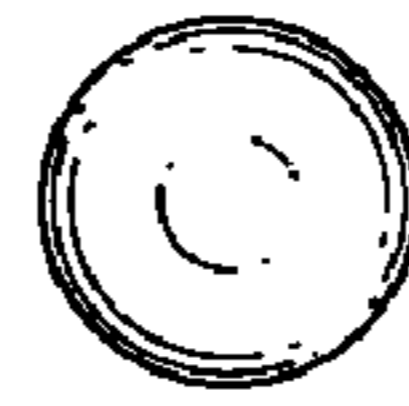


FIG. 5

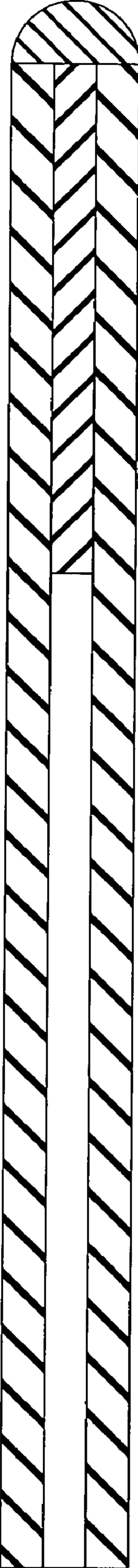


FIG. 6

