



US00D609804S

(12) **United States Design Patent**  
**Uchida et al.**

(10) **Patent No.:** **US D609,804 S**  
(45) **Date of Patent:** **\*\* Feb. 9, 2010**

(54) **BLOOD SAMPLING NEEDLE**

(75) Inventors: **Yoshikuni Uchida**, Gunma (JP);  
**Nobuaki Inage**, Gunma (JP); **Hirokazu**  
**Sutou**, Gunma (JP)

(73) Assignee: **Nipro Corporation**, Osaka (JP)

(\*\*) Term: **14 Years**

(21) Appl. No.: **29/332,550**

(22) Filed: **Feb. 19, 2009**

(30) **Foreign Application Priority Data**

Nov. 20, 2008 (JP) ..... 2008-029864

(51) **LOC (9) Cl.** ..... **24-02**

(52) **U.S. Cl.** ..... **D24/112**

(58) **Field of Classification Search** ..... D24/112–114,  
D24/133, 186, 104, 130, 127; 600/576, 577;  
606/181, 185; 604/232, 187, 158, 164.08,  
604/192, 263, 163, 181, 184, 198, 227, 195  
See application file for complete search history.

(56) **References Cited**

**U.S. PATENT DOCUMENTS**

4,418,703	A *	12/1983	Hoch et al.	600/579
4,819,659	A *	4/1989	Sitar	600/577
4,947,863	A *	8/1990	Haber et al.	600/577
5,026,354	A *	6/1991	Kocses	604/195
6,217,550	B1 *	4/2001	Capes	604/181
D483,861	S *	12/2003	Law et al.	D24/114
D484,242	S *	12/2003	Wilkinson	D24/130
D506,549	S *	6/2005	Woods	D24/130
7,063,673	B2 *	6/2006	Marsden	600/576
7,147,608	B2 *	12/2006	Higaki et al.	600/576
D540,908	S *	4/2007	Py et al.	D24/112
D578,210	S *	10/2008	Muta et al.	D24/114
7,521,022	B2 *	4/2009	Konrad	600/576

\* cited by examiner

*Primary Examiner*—T. Chase Nelson

*Assistant Examiner*—David G Muller

(74) *Attorney, Agent, or Firm*—Birch, Stewart, Kolasch &  
Birch, LLP

(57) **CLAIM**

The ornamental design for a blood sampling needle, as shown and described.

**DESCRIPTION**

FIG. 1 is a front view of a blood sampling needle showing our new design;

FIG. 2 is a rear view thereof;

FIG. 3 is a top plan view thereof;

FIG. 4 is a bottom plan view thereof;

FIG. 5 is a right side view thereof;

FIG. 6 is a left side view thereof;

FIG. 7 is a perspective view thereof;

FIG. 8 is a sectional view taken along line 8—8 of FIG. 3 thereof;

FIG. 9 is a front view showing a state that a tamper seal is removed and a cover is pulled out thereof;

FIG. 10 is a rear view showing a state that a tamper seal is removed and a cover is pulled out thereof;

FIG. 11 is a top plan view showing a state that a tamper seal is removed and a cover is pulled out thereof;

FIG. 12 is a bottom plan view showing a state that a tamper seal is removed and a cover is pulled out thereof;

FIG. 13 is a right side view showing a state that a tamper seal is removed and a cover is pulled out thereof;

FIG. 14 is a left side view showing a state that a tamper seal is removed and a cover is pulled out thereof;

FIG. 15 is a perspective view showing a state that a tamper seal is removed and a cover is pulled out thereof; and,

FIG. 16 is a sectional view taken along line 16—16 of FIG. 11 thereof.

The portions of the drawings illustrated in broken lines are for environmental purposes only and form no part of the claimed design.

**1 Claim, 5 Drawing Sheets**

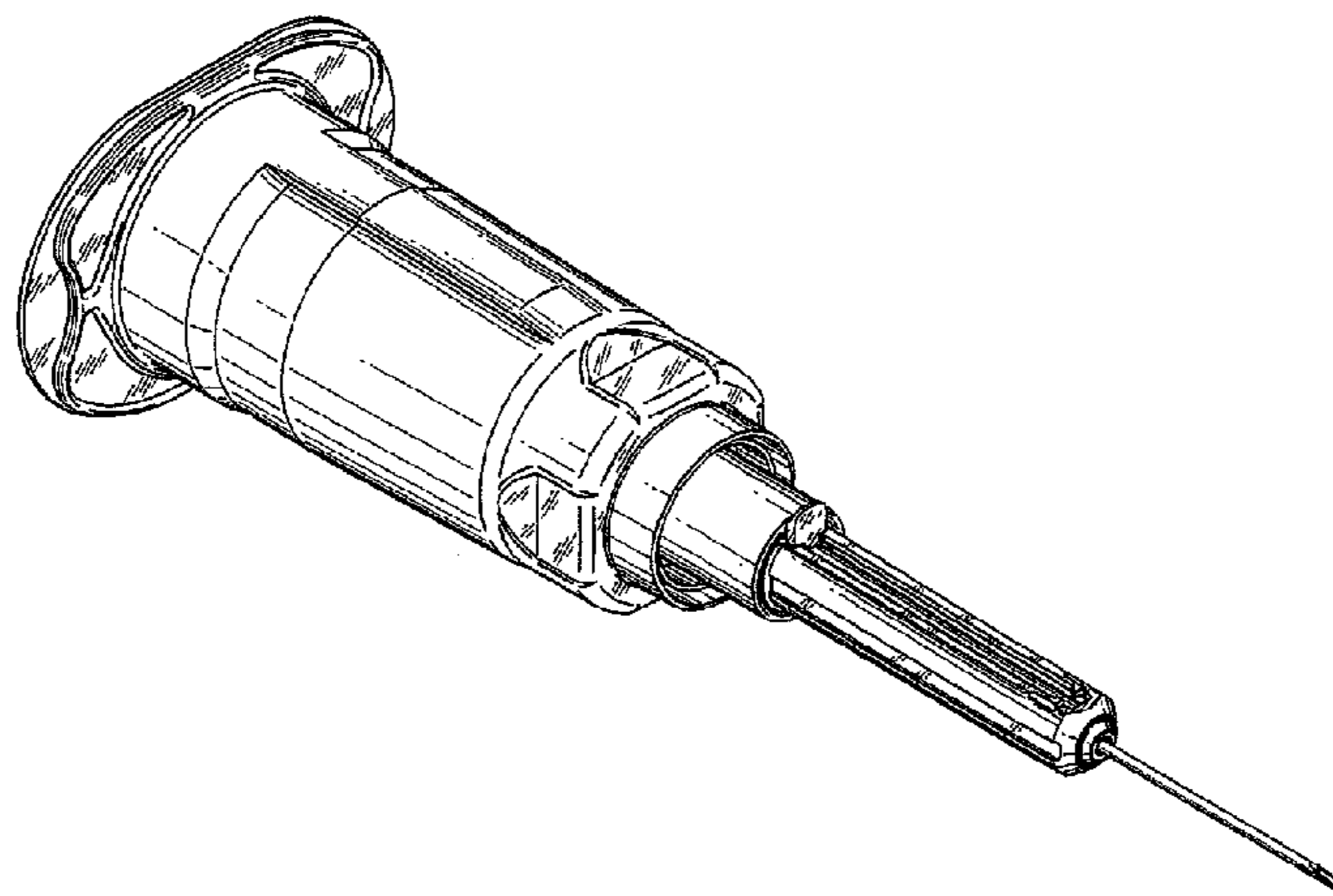


FIG.1

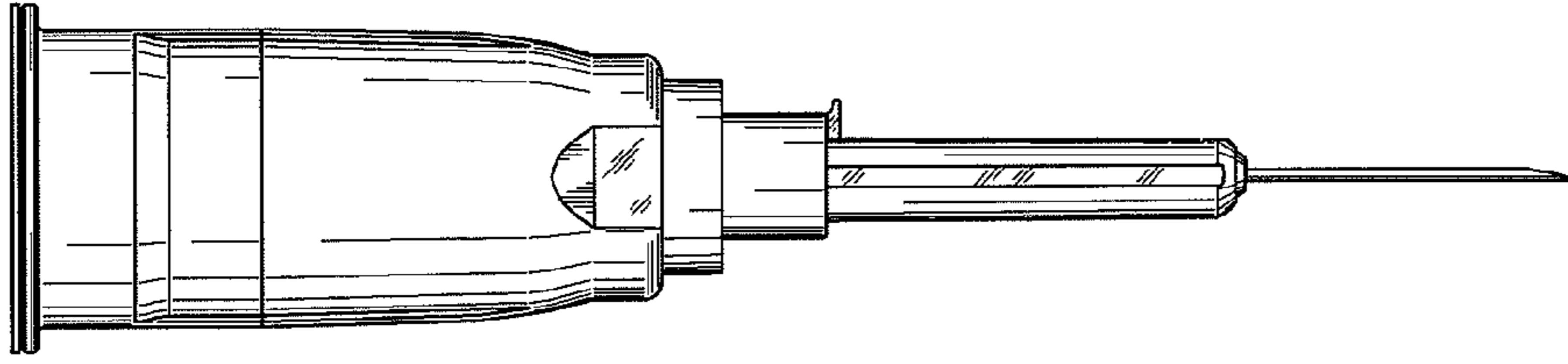


FIG.2

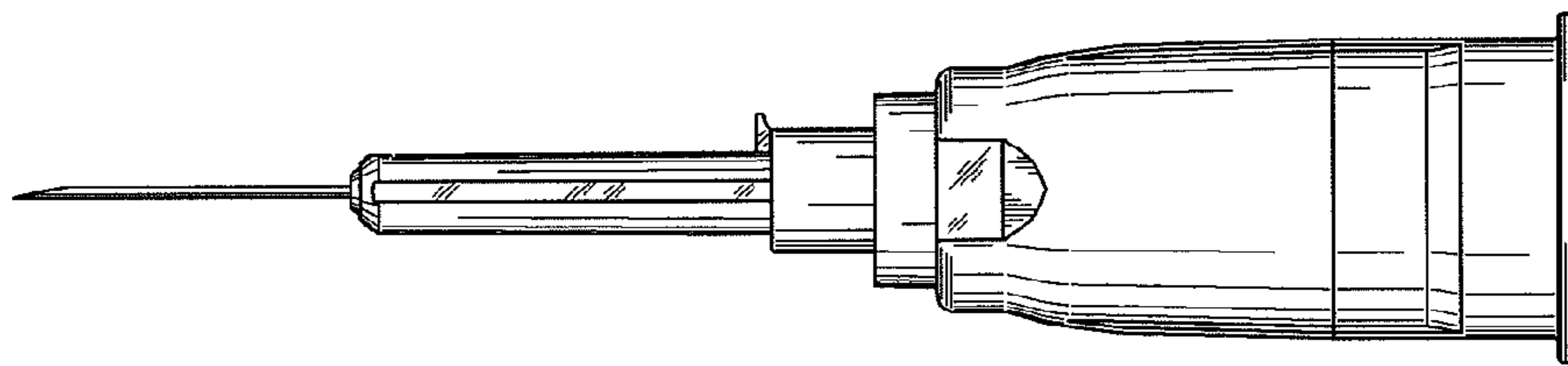


FIG.3

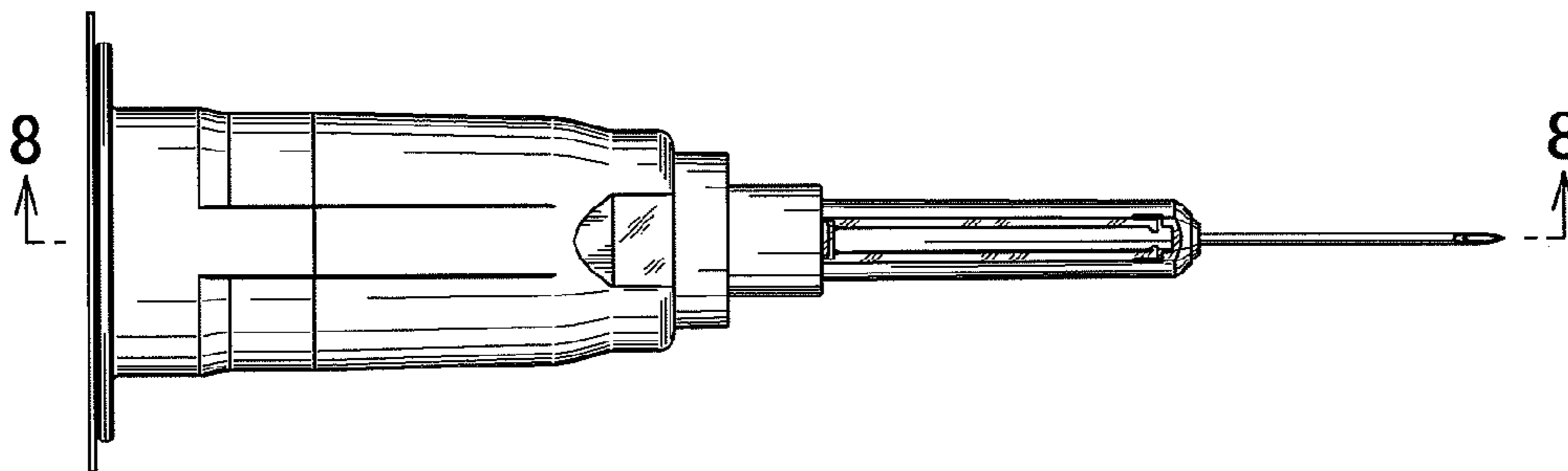


FIG.4

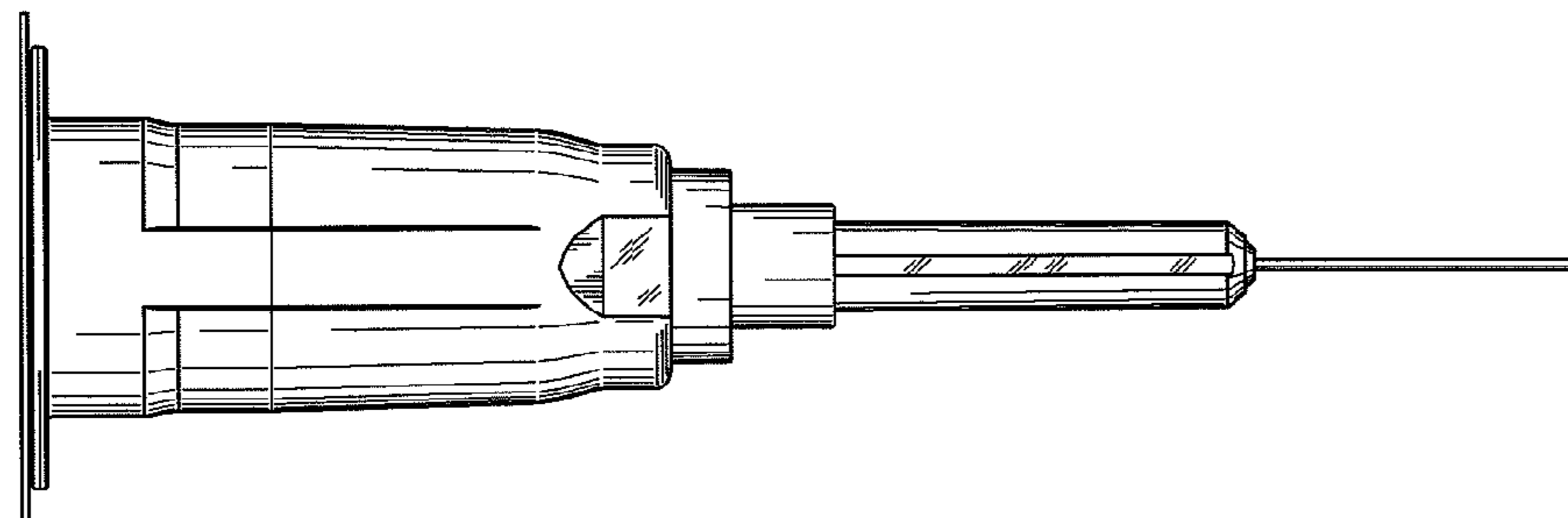


FIG.5

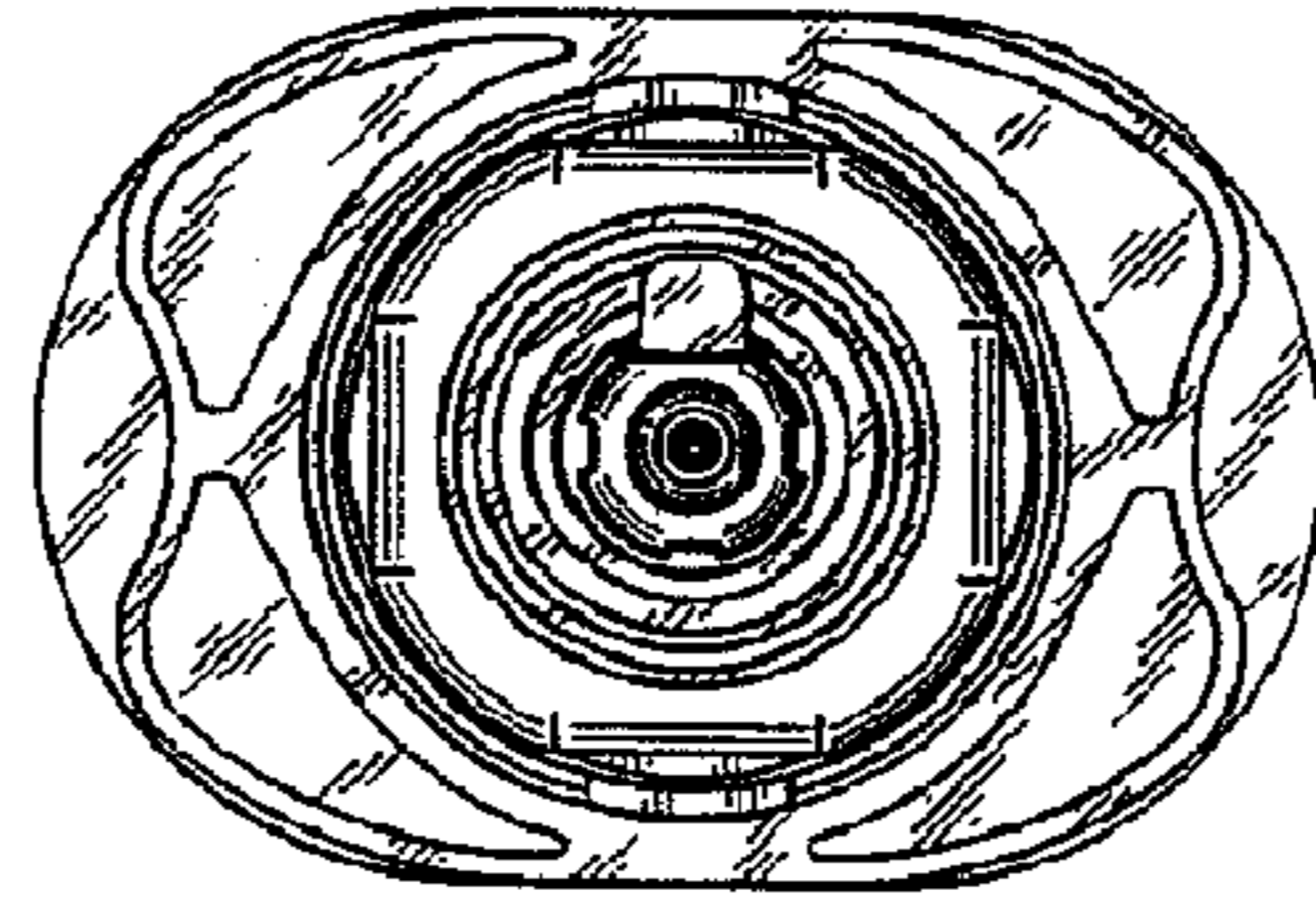


FIG.6

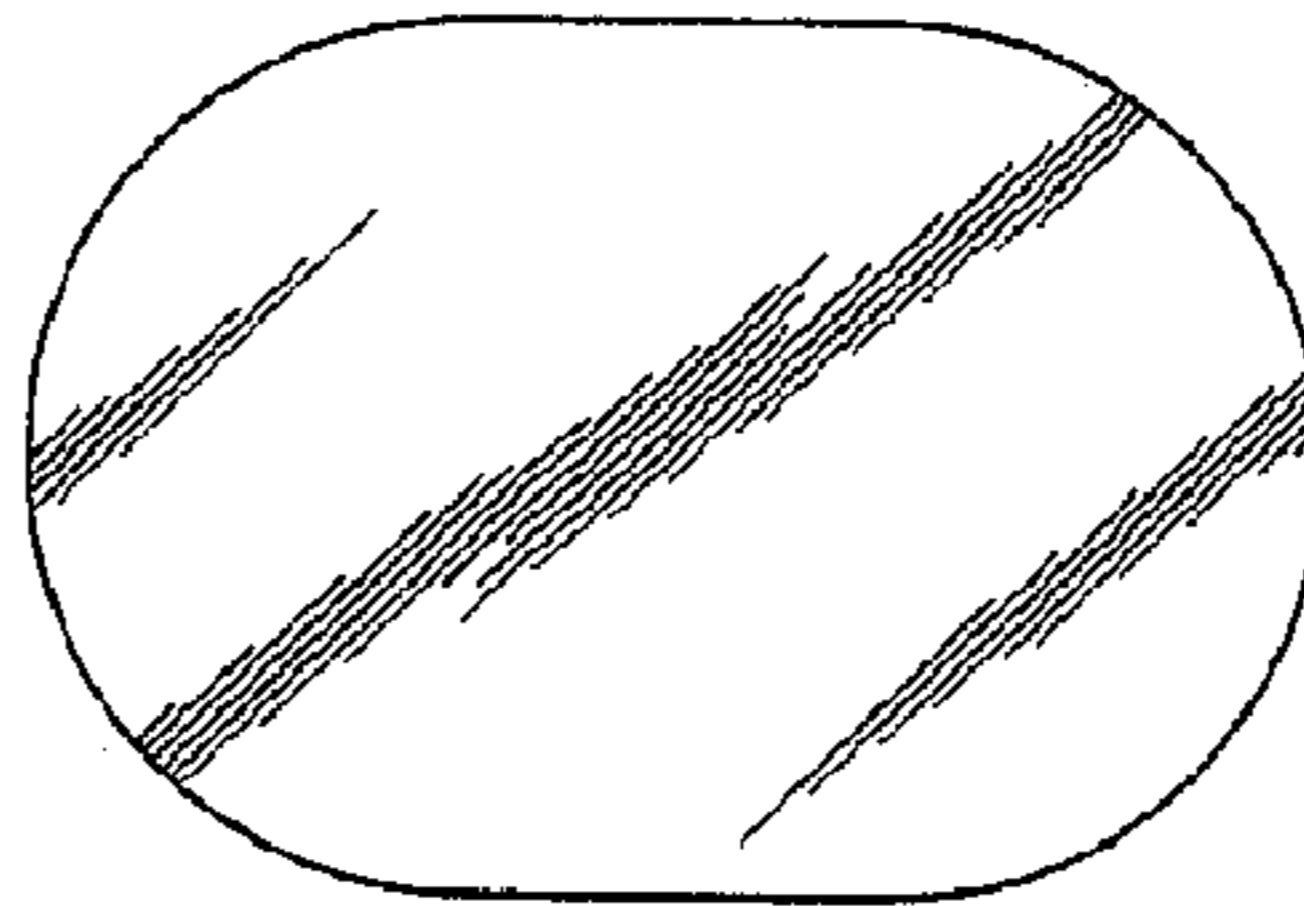


FIG.7

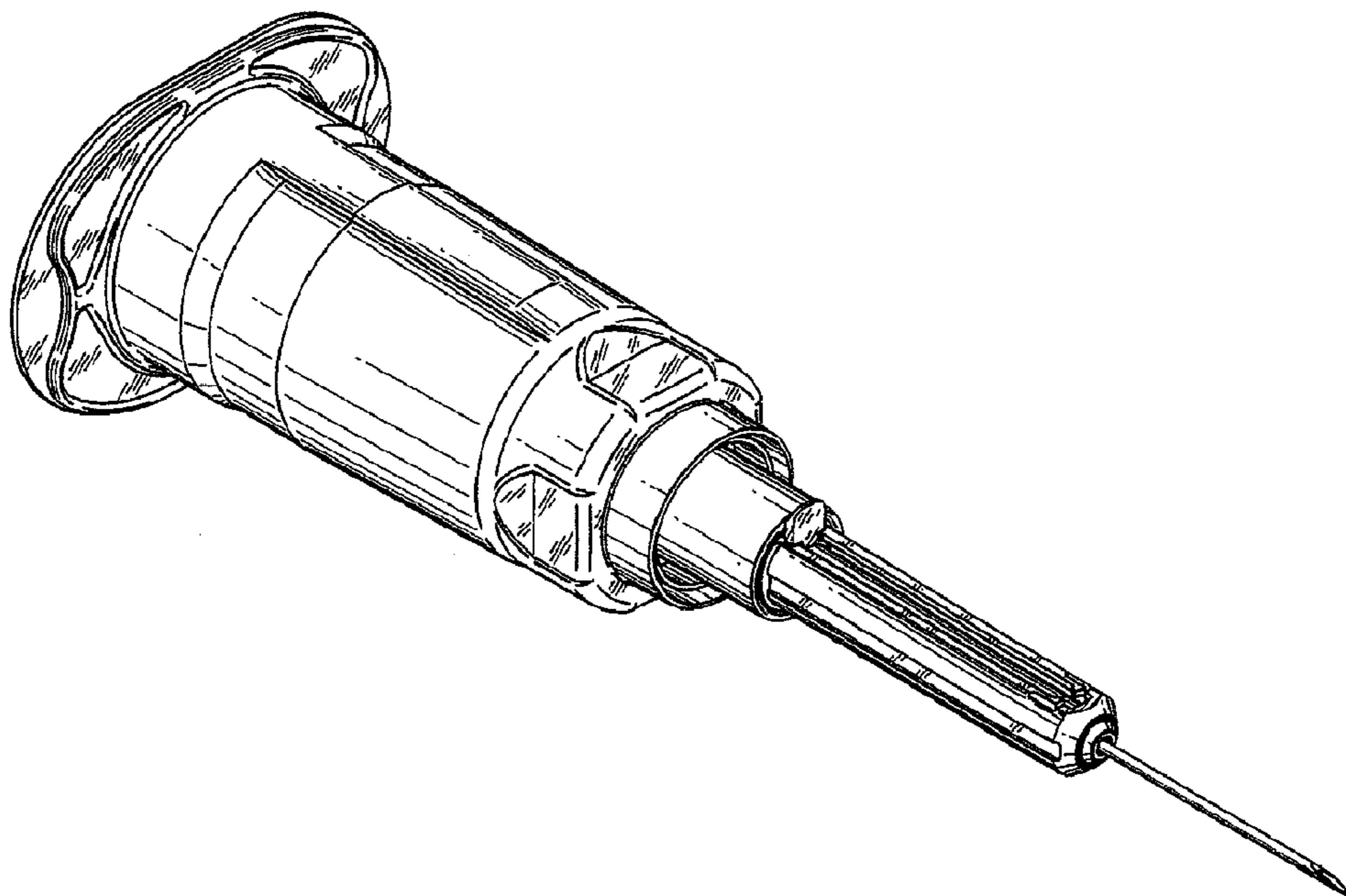


FIG.8

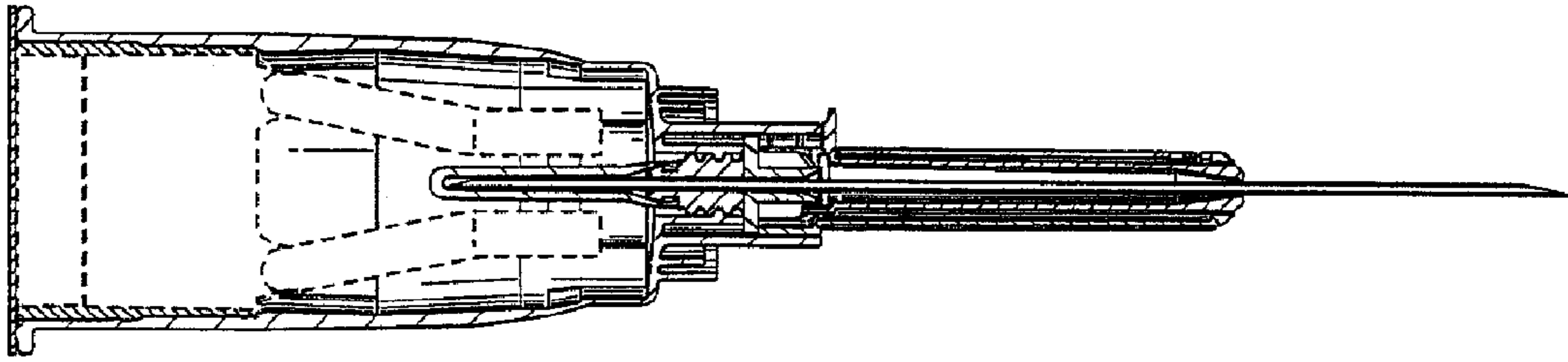


FIG.9

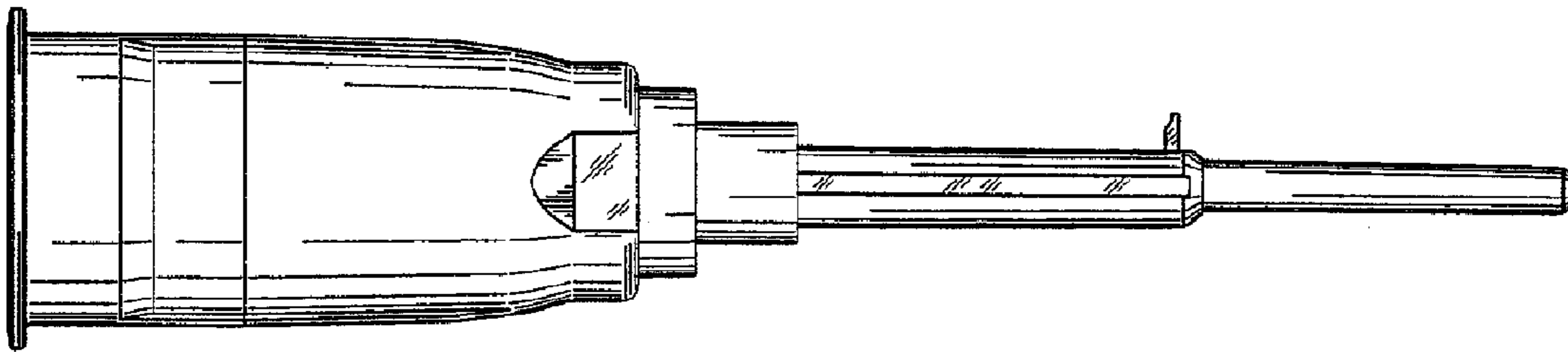


FIG.10

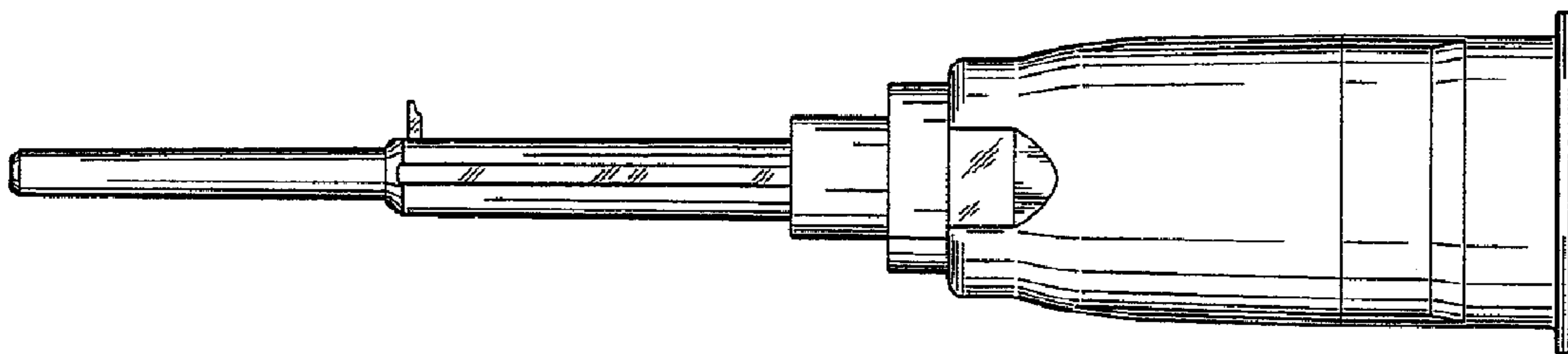




FIG.11

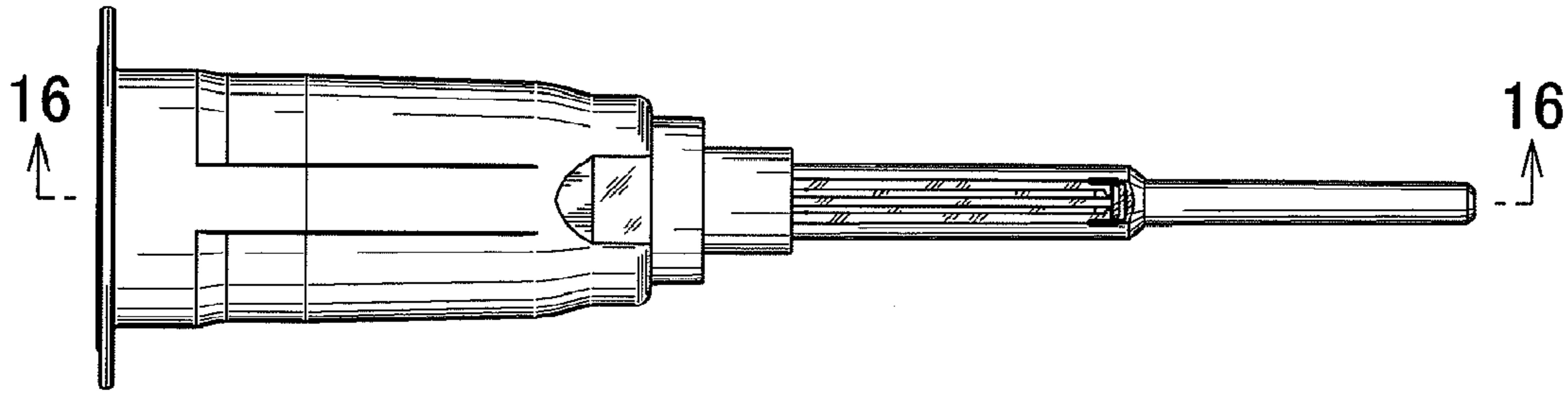


FIG.12

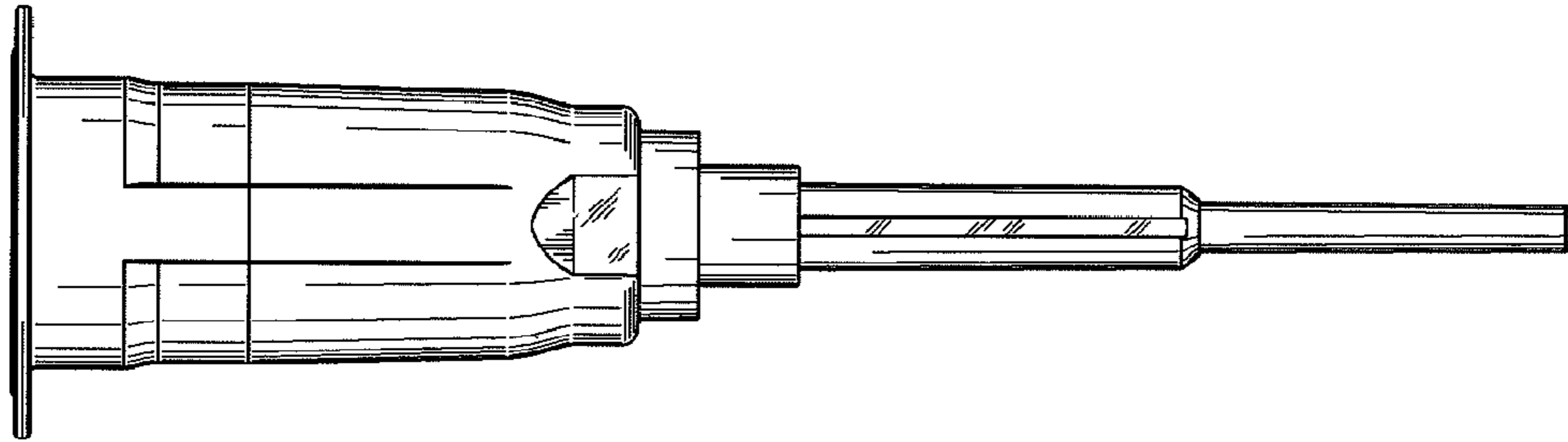


FIG.13

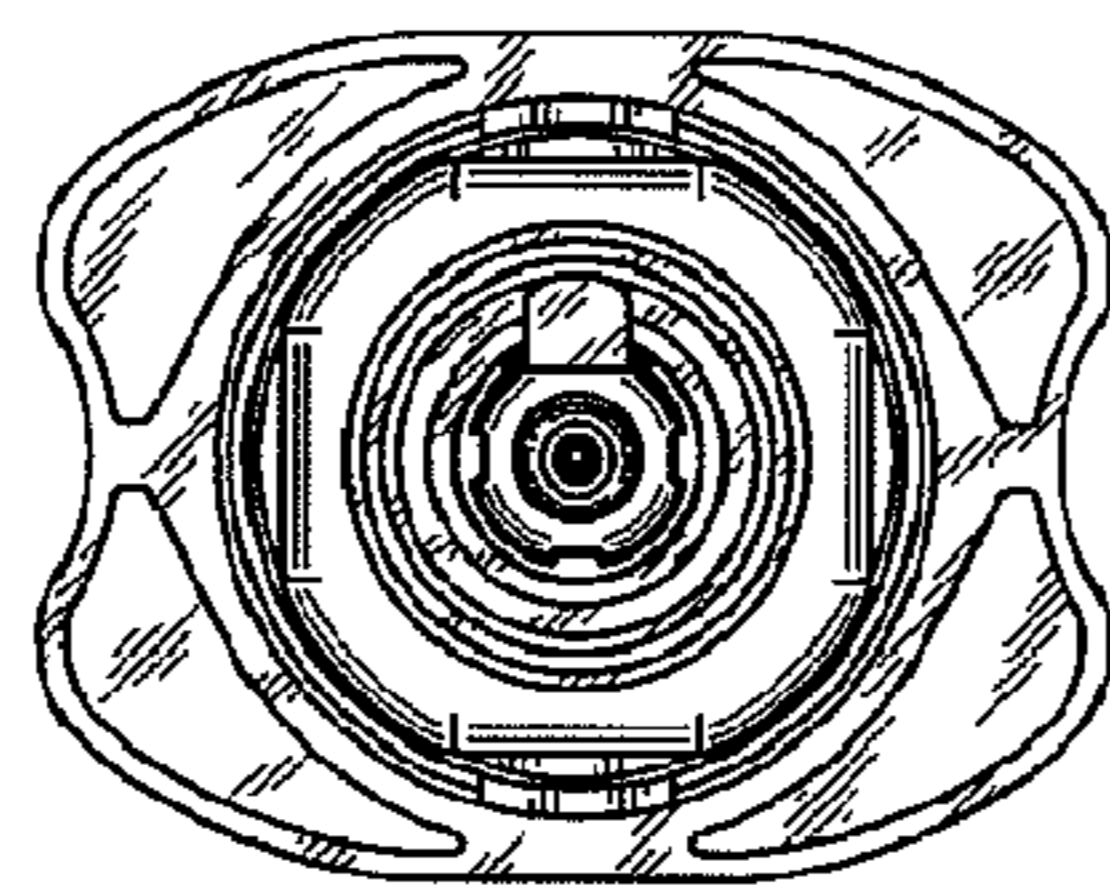


FIG.14

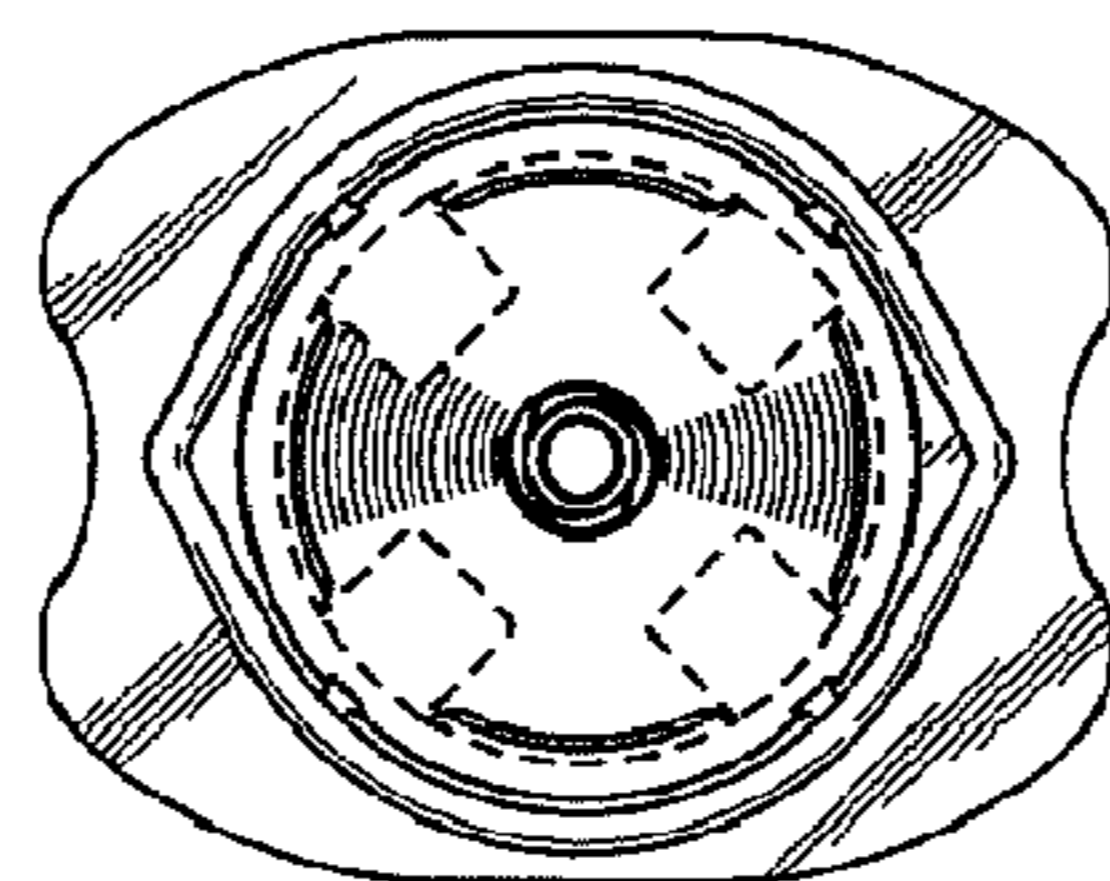


FIG.15

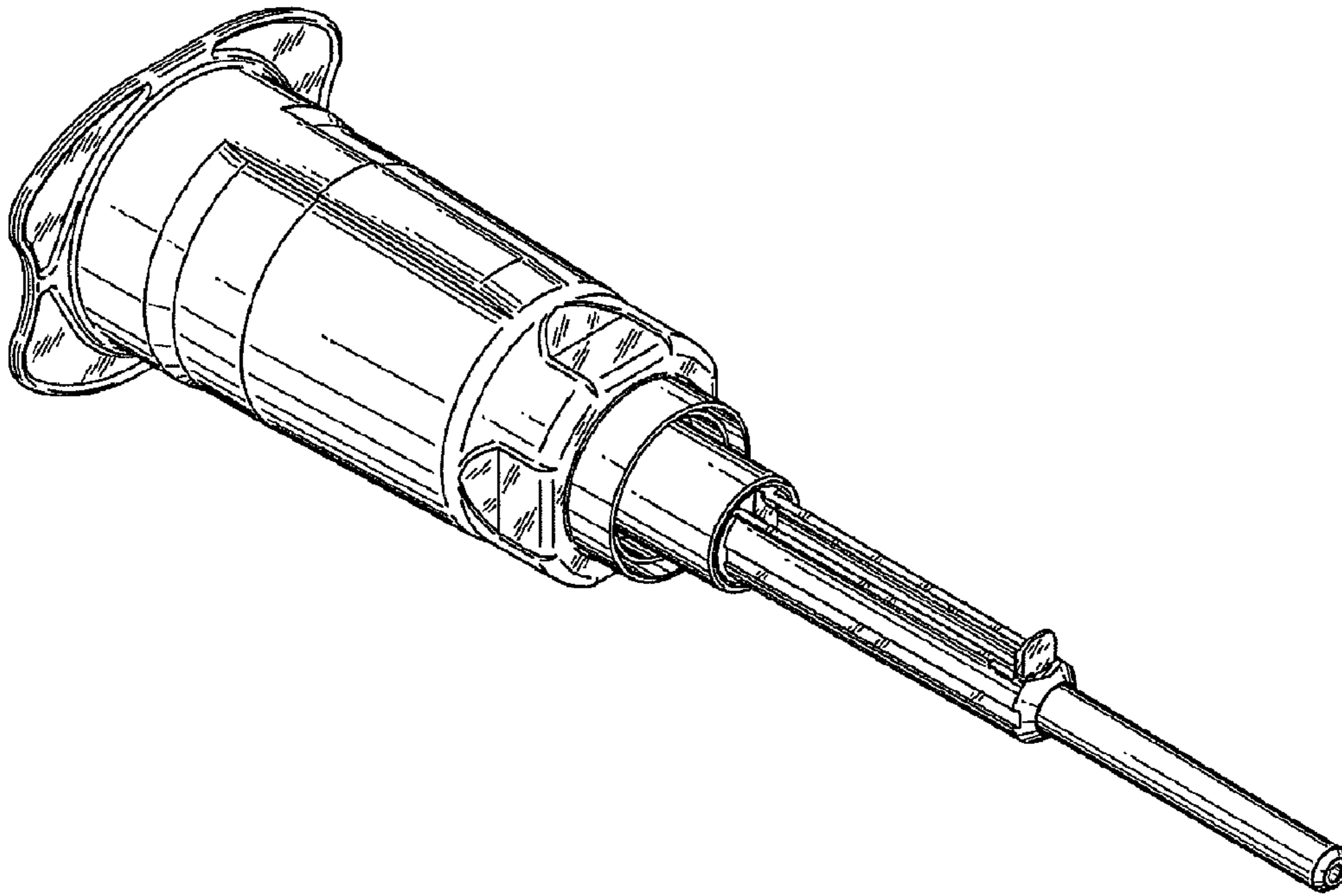


FIG.16

