



US00D609801S

(12) **United States Design Patent**  
**Egorov et al.**

(10) **Patent No.:** **US D609,801 S**

(45) **Date of Patent:** **\*\* Feb. 9, 2010**

(54) **CALIBRATION CHAMBER FOR PROSTATE MECHANICAL IMAGING PROBE**

(75) Inventors: **Vladimir Egorov**, Princeton, NJ (US);  
**Armen P. Sarvazyan**, Lambertville, NJ (US)

(73) Assignee: **Artann Laboratories, Inc.**,  
Lambertville, NJ (US)

(\*\*) Term: **14 Years**

(21) Appl. No.: **29/320,474**

(22) Filed: **Jun. 27, 2008**

(51) **LOC (9) Cl.** ..... **24-01**

(52) **U.S. Cl.** ..... **D24/107**

(58) **Field of Classification Search** ..... D24/138,  
D24/129, 164, 165, 169, 107, 108; 600/587  
See application file for complete search history.

(56) **References Cited**

**U.S. PATENT DOCUMENTS**

4,909,063	A	3/1990	Olsen
D342,032	S	12/1993	Germany
5,461,901	A	10/1995	Ottestad
5,837,881	A	11/1998	Martin
D408,918	S	4/1999	Hacker
6,993,954	B1	2/2006	George
7,266,986	B2	9/2007	Shirley

**OTHER PUBLICATIONS**

ADCS-601 Air Data Calibration Standard, Operations and Maintenance Manual. 2005, DH Instruments Inc.

GPC1-10000-AFGas Pressure Controller, Operation and Maintenance Manual. 2007, DH Instruments Inc.

PPC3 Pressure Controller Calibrator, Operation and Maintenance Manual. 2002-2007, DH Instruments Inc.

AMC Advanced Modular Calibration System. Publication BR-173B, 2008, General Electric Inc.

Portable Low Pressure Calibrator, United Instruments Inc. Web Page printout.

*Primary Examiner*—Ian Simmons

*Assistant Examiner*—Christopher Lee

(74) *Attorney, Agent, or Firm*—Boris Leschinsky

(57) **CLAIM**

The ornamental design for a calibration chamber for prostate mechanical imaging probe, as shown and described.

**DESCRIPTION**

This invention was made with government support under SBIR grant R44CA082620 awarded by National Cancer Institute, National Institutes of Health. The government has certain rights in the invention.

FIG. 1 is a perspective view of a calibration chamber for prostate mechanical imaging probe;

FIG. 2 is a side view thereof, the opposite side being identical;

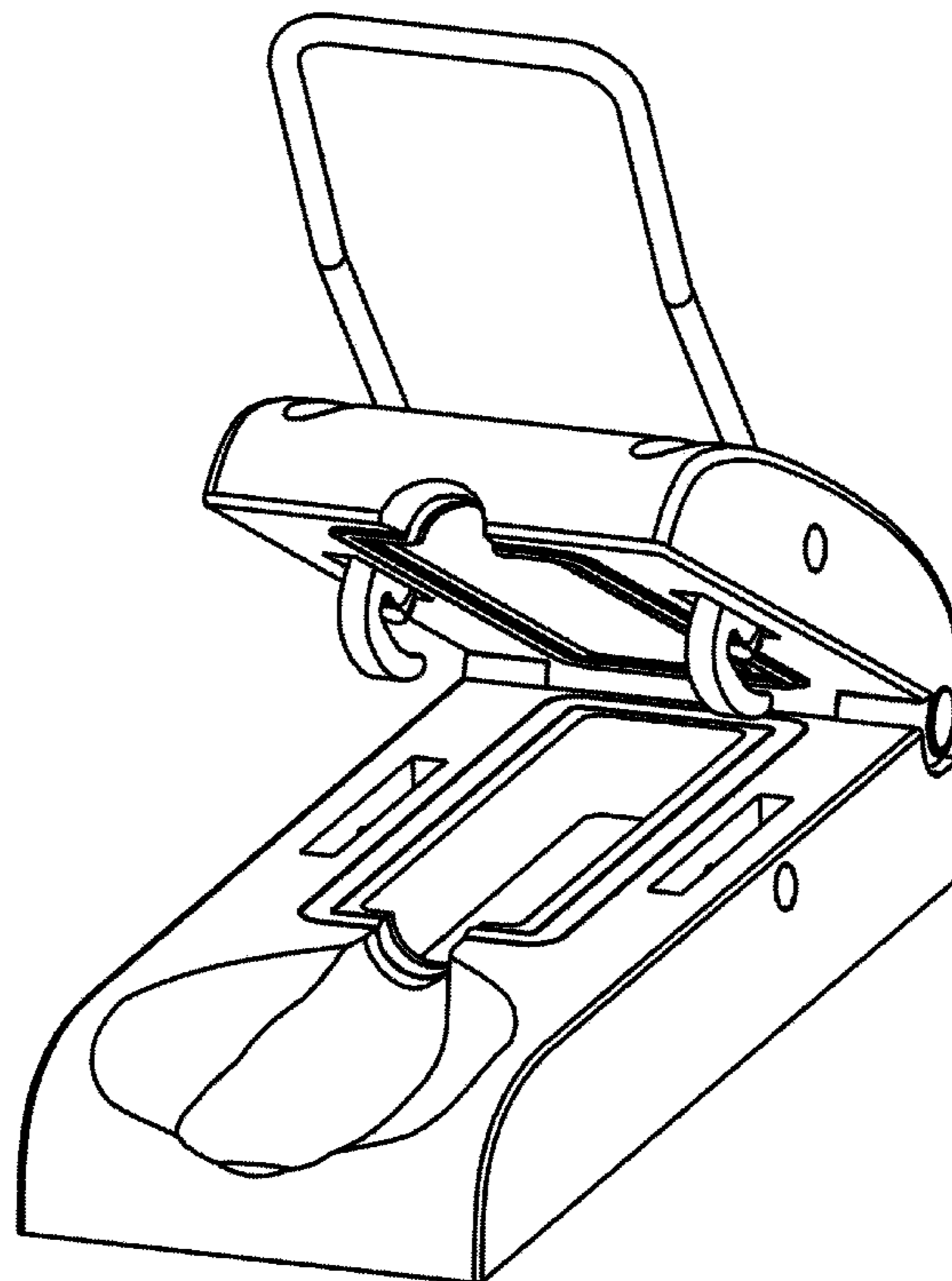
FIG. 3 is a top view thereof;

FIG. 4 is a bottom view thereof. Details shown in broken lines form no part of the claimed design;

FIG. 5 is a front view thereof; and,

FIG. 6 is a rear view thereof.

**1 Claim, 6 Drawing Sheets**



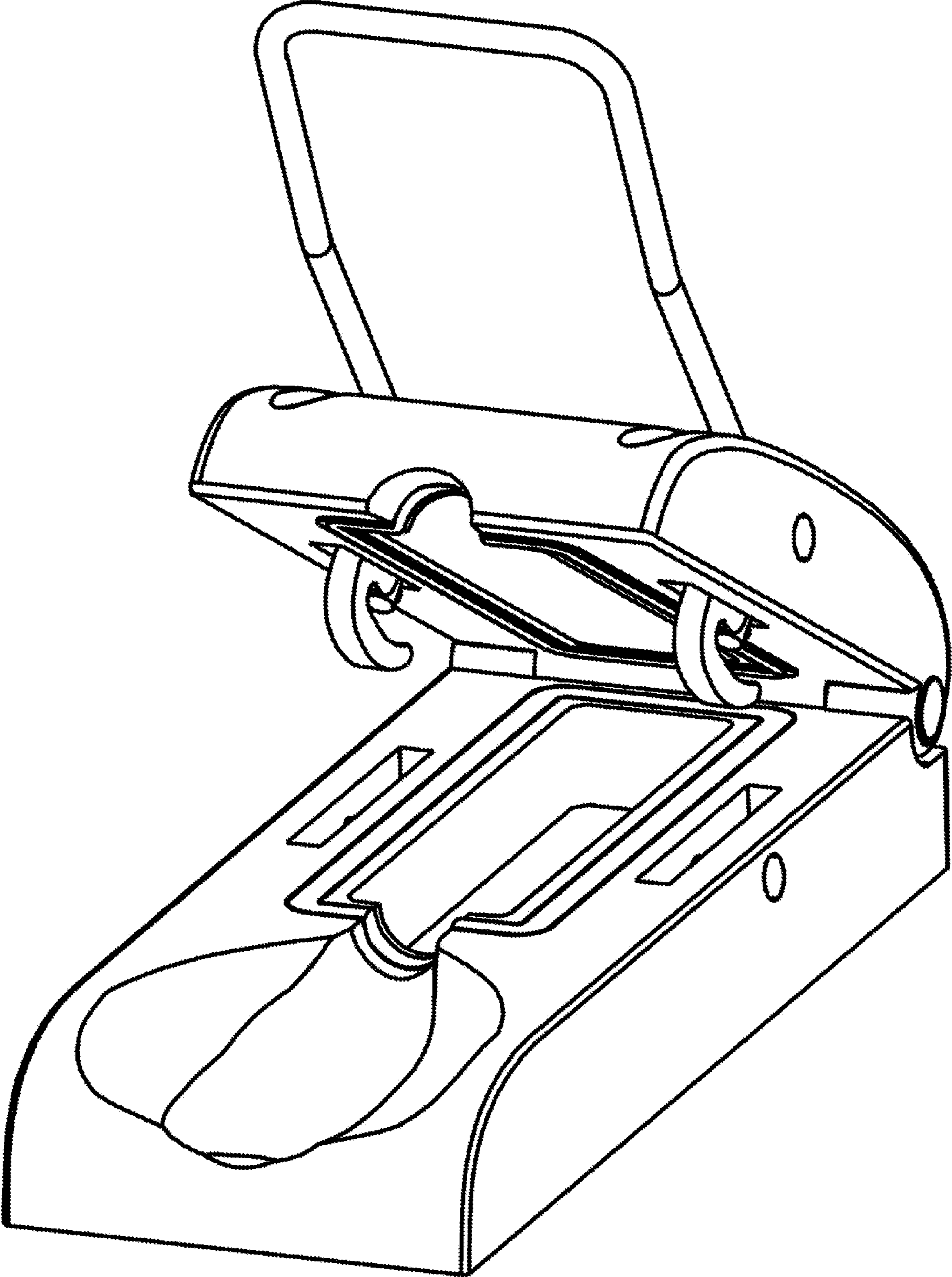


FIGURE 1

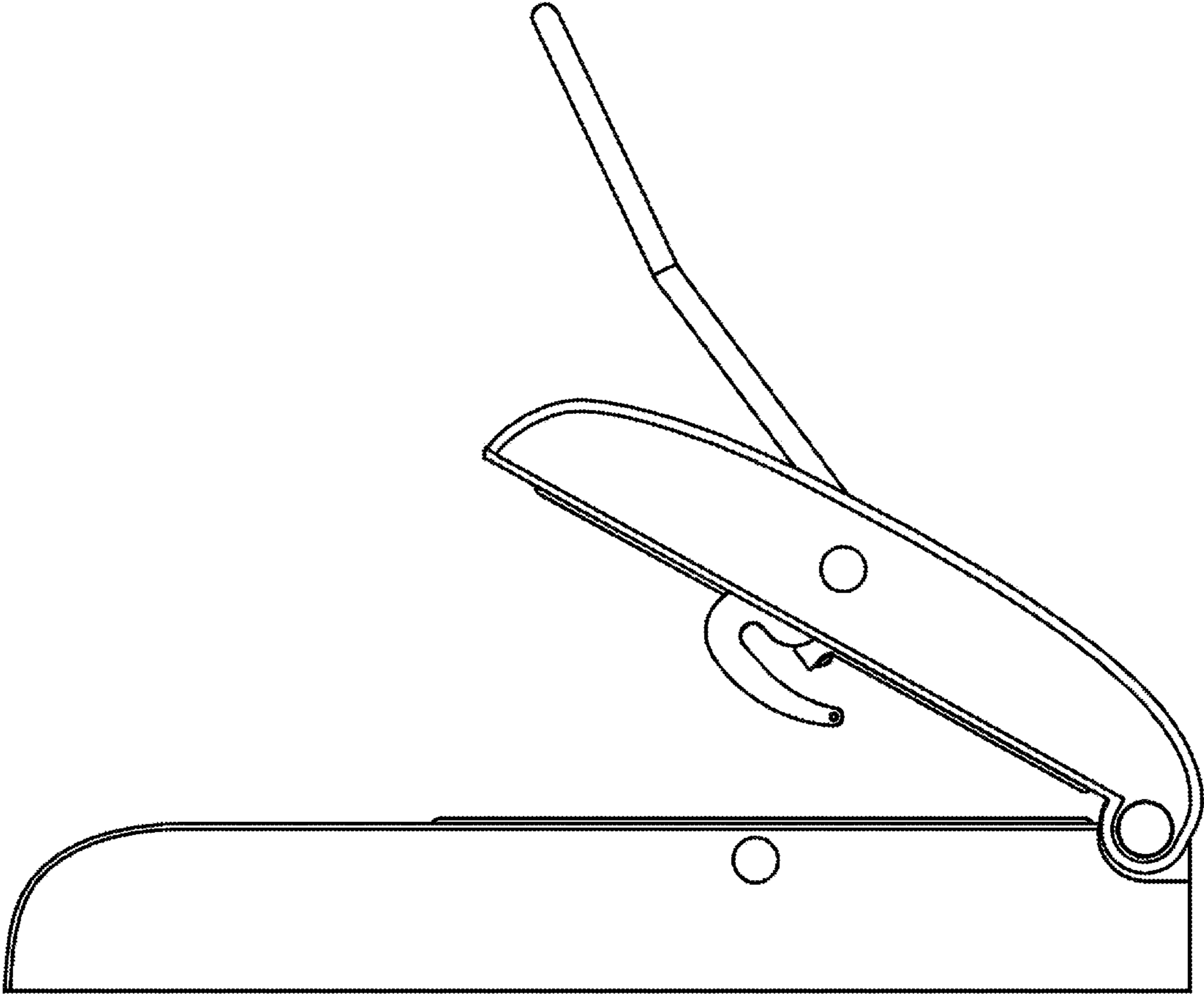


FIGURE 2

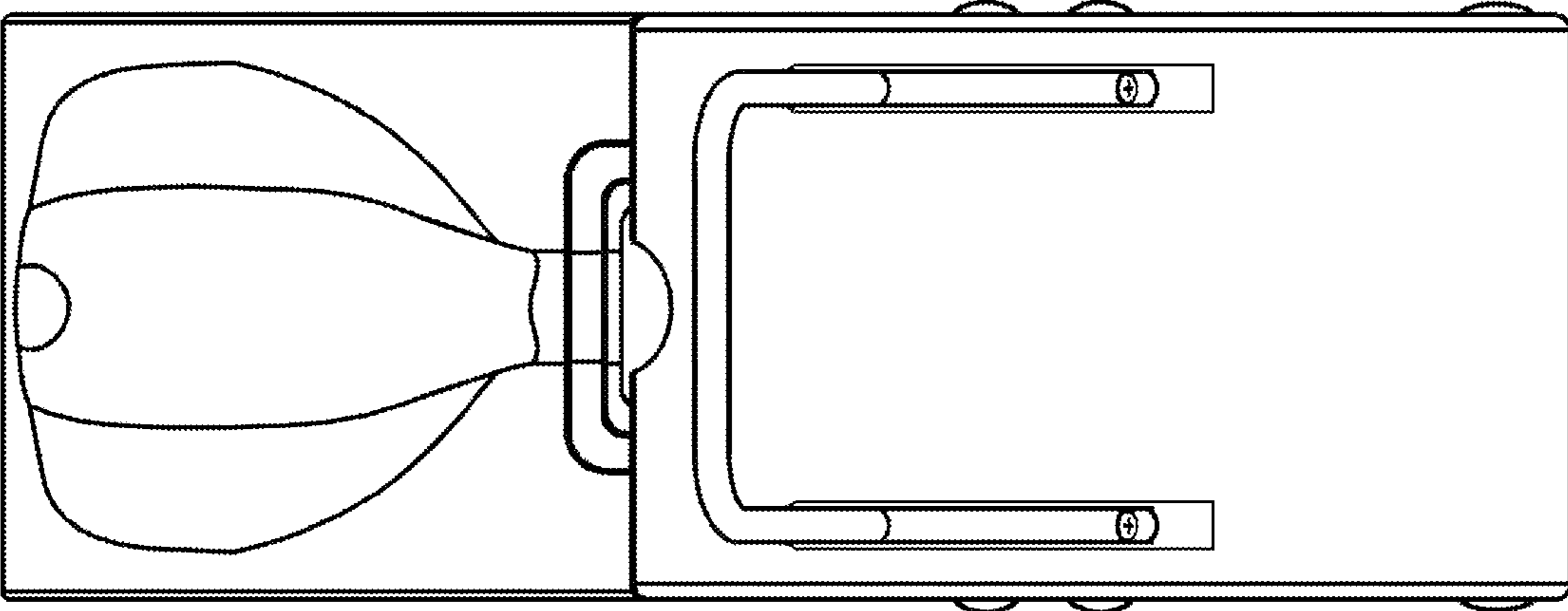


FIGURE 3

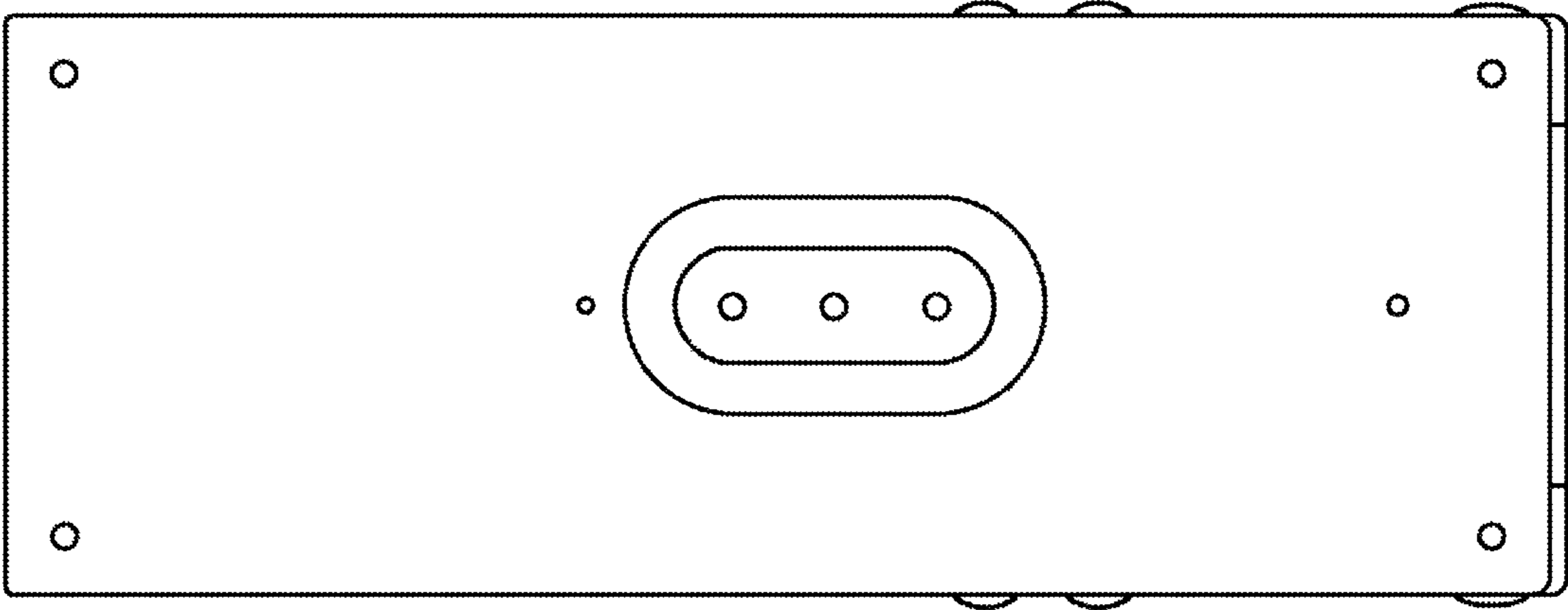


FIGURE 4

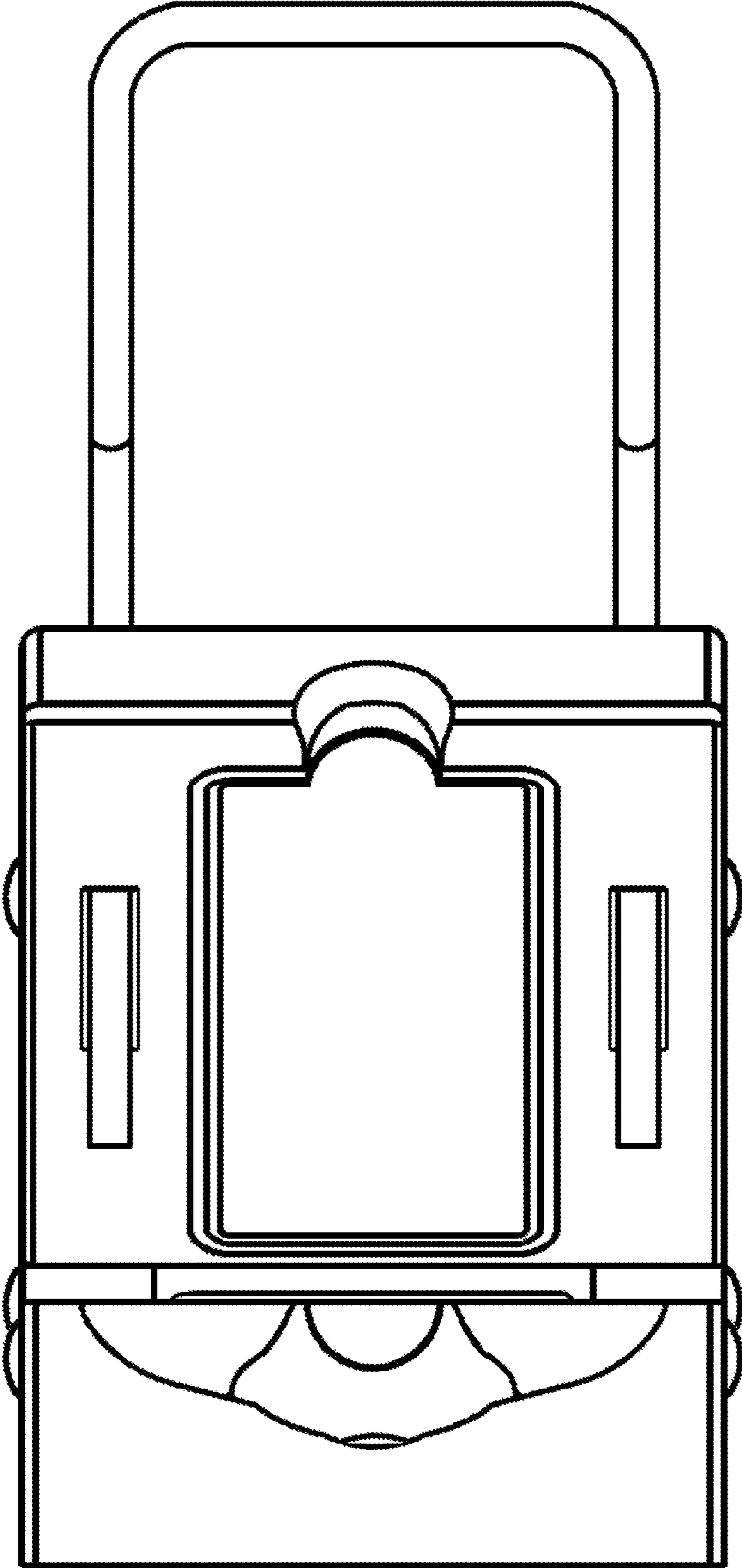


FIGURE 5

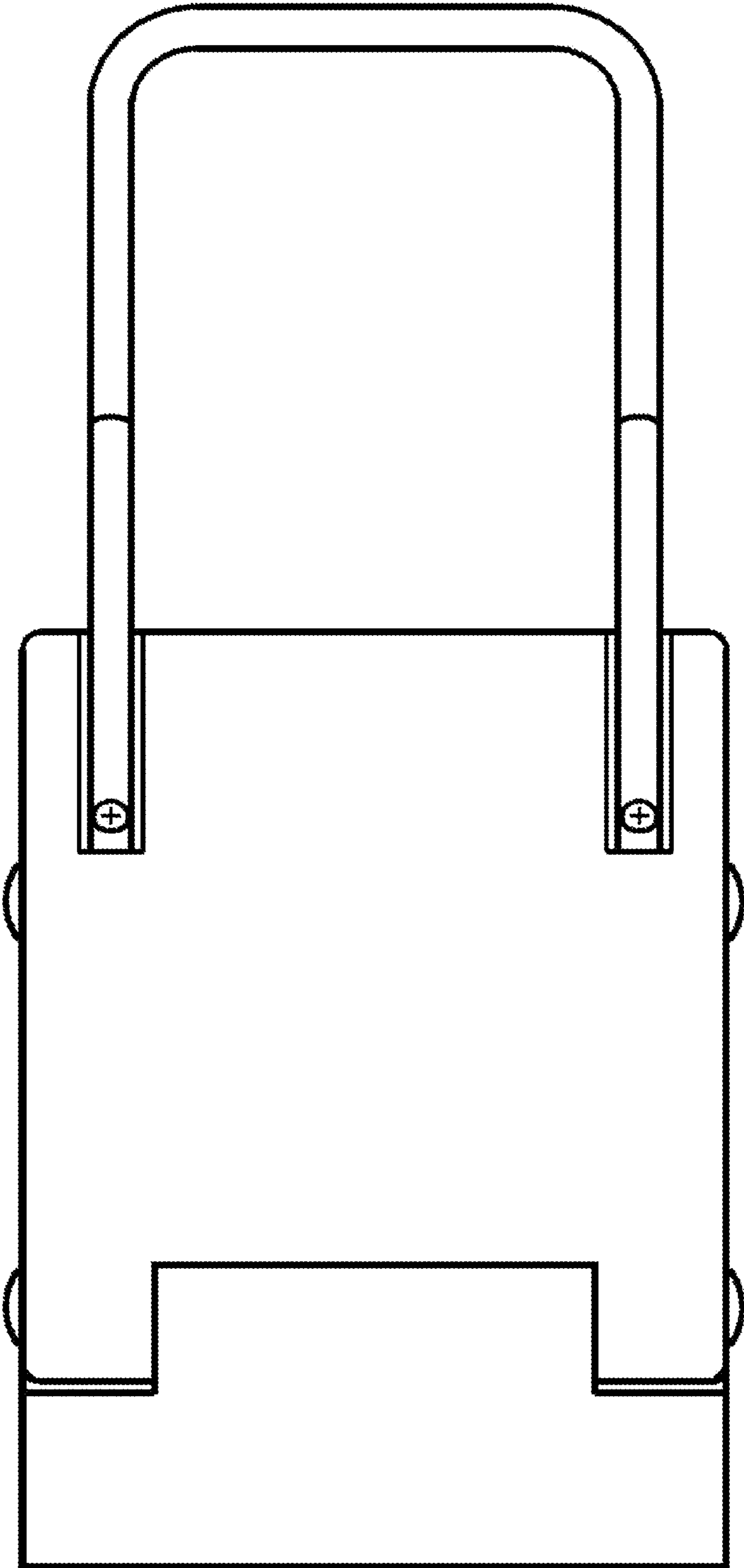


FIGURE 6