



US00D609800S

(12) **United States Design Patent**  
**Chen**

(10) **Patent No.:** **US D609,800 S**

(45) **Date of Patent:** **\*\* Feb. 9, 2010**

(54) **CEILING AIR-CONDITIONING  
CIRCULATION MACHINE**

D577,431 S \* 9/2008 Miyake et al. .... D23/385  
D581,508 S \* 11/2008 Miyake et al. .... D23/371

(76) Inventor: **Yung-Hua Chen**, No.2, Lane 157, Wan  
An Street, Sinjhuang City, Taipei County  
242 (TW)

\* cited by examiner

*Primary Examiner*—Lisa P Lichtenstein  
(74) *Attorney, Agent, or Firm*—Rosenberg, Klein & Lee

(\*\*) Term: **14 Years**

(57) **CLAIM**

(21) Appl. No.: **29/311,702**

The ornamental design for a ceiling air-conditioning circula-  
tion machine, as shown and described.

(22) Filed: **May 28, 2009**

**DESCRIPTION**

(51) **LOC (9) Cl.** ..... **23-04**

FIG. 1 is a right perspective view of a ceiling air-conditioning  
circulation machine showing my new design;

(52) **U.S. Cl.** ..... **D23/385**

FIG. 2 is a front elevational view thereof, the rear elevational  
being a mirror image;

(58) **Field of Classification Search** ..... D23/385,  
D23/371, 370; 454/349, 354; D26/59, 72,  
D26/51, 81–88

FIG. 3 is a left side elevational view thereof, the right side  
being a mirror image;

See application file for complete search history.

FIG. 4 is a top plan view thereof; and,

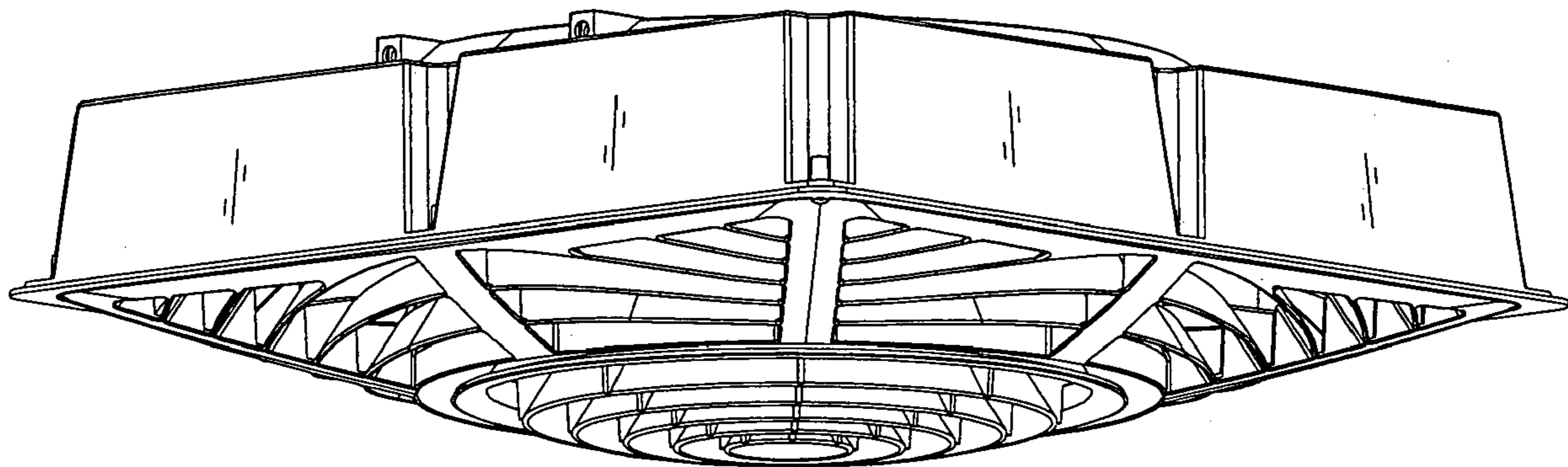
(56) **References Cited**

FIG. 5 is a bottom plan view thereof.

**U.S. PATENT DOCUMENTS**

D372,775 S \* 8/1996 Schuler ..... D23/412  
D457,616 S \* 5/2002 Yamanaka et al. .... D23/371

**1 Claim, 3 Drawing Sheets**



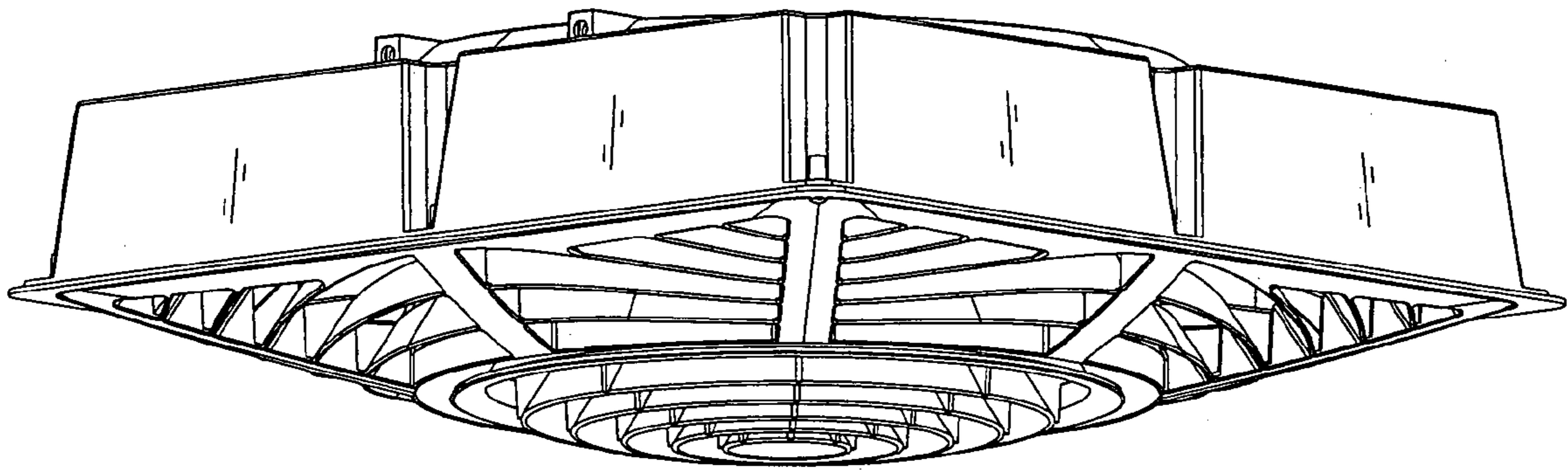


FIG. 1

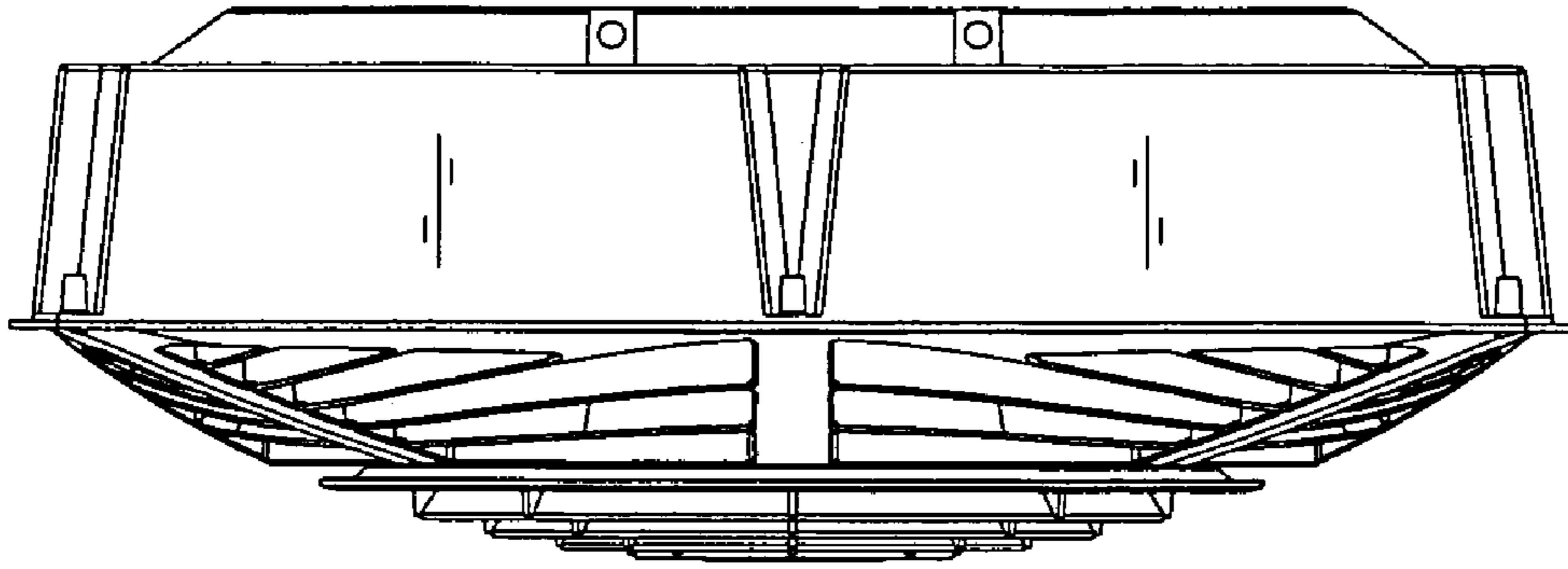


FIG. 2

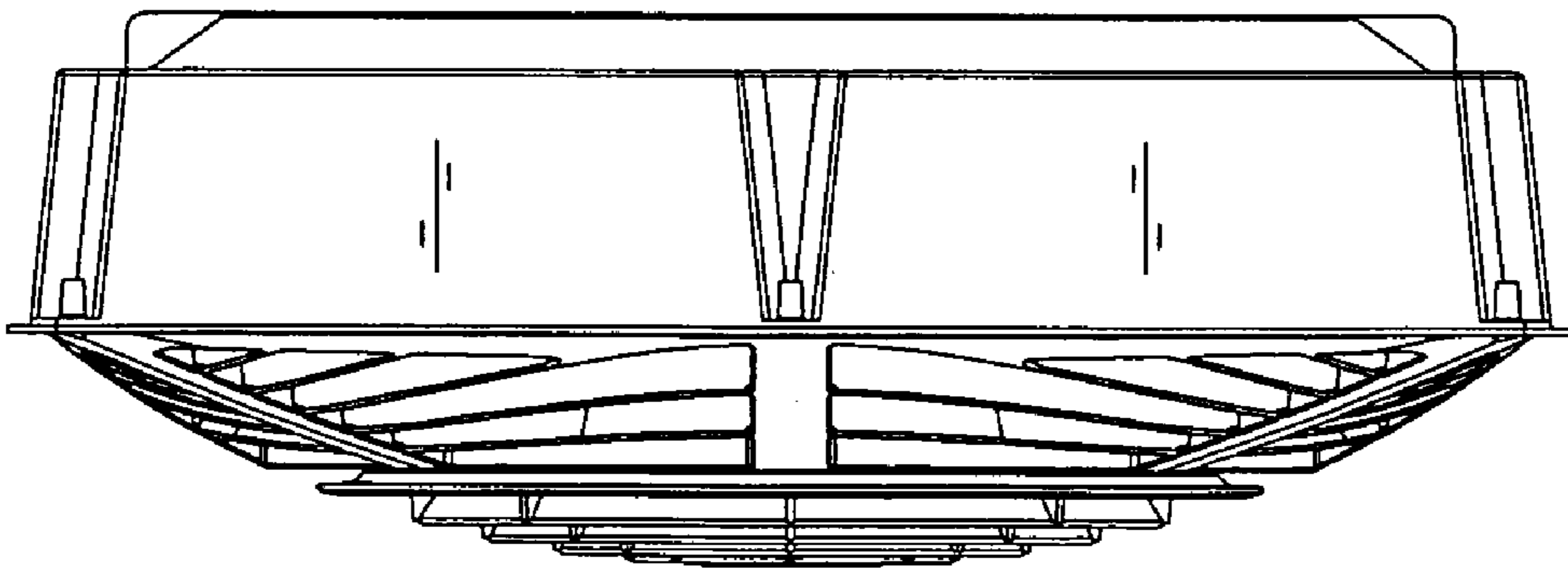


FIG. 3

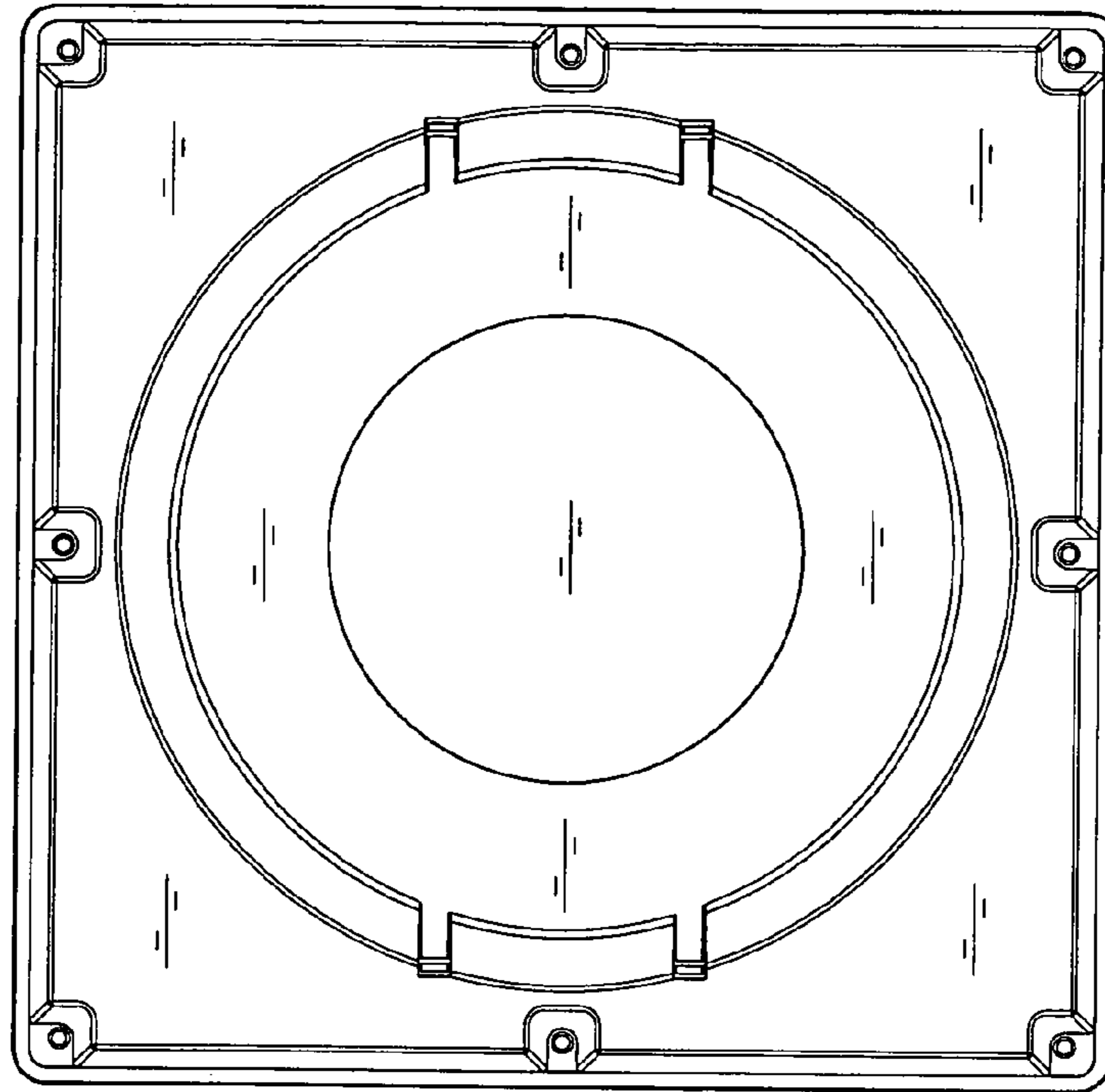


FIG. 4

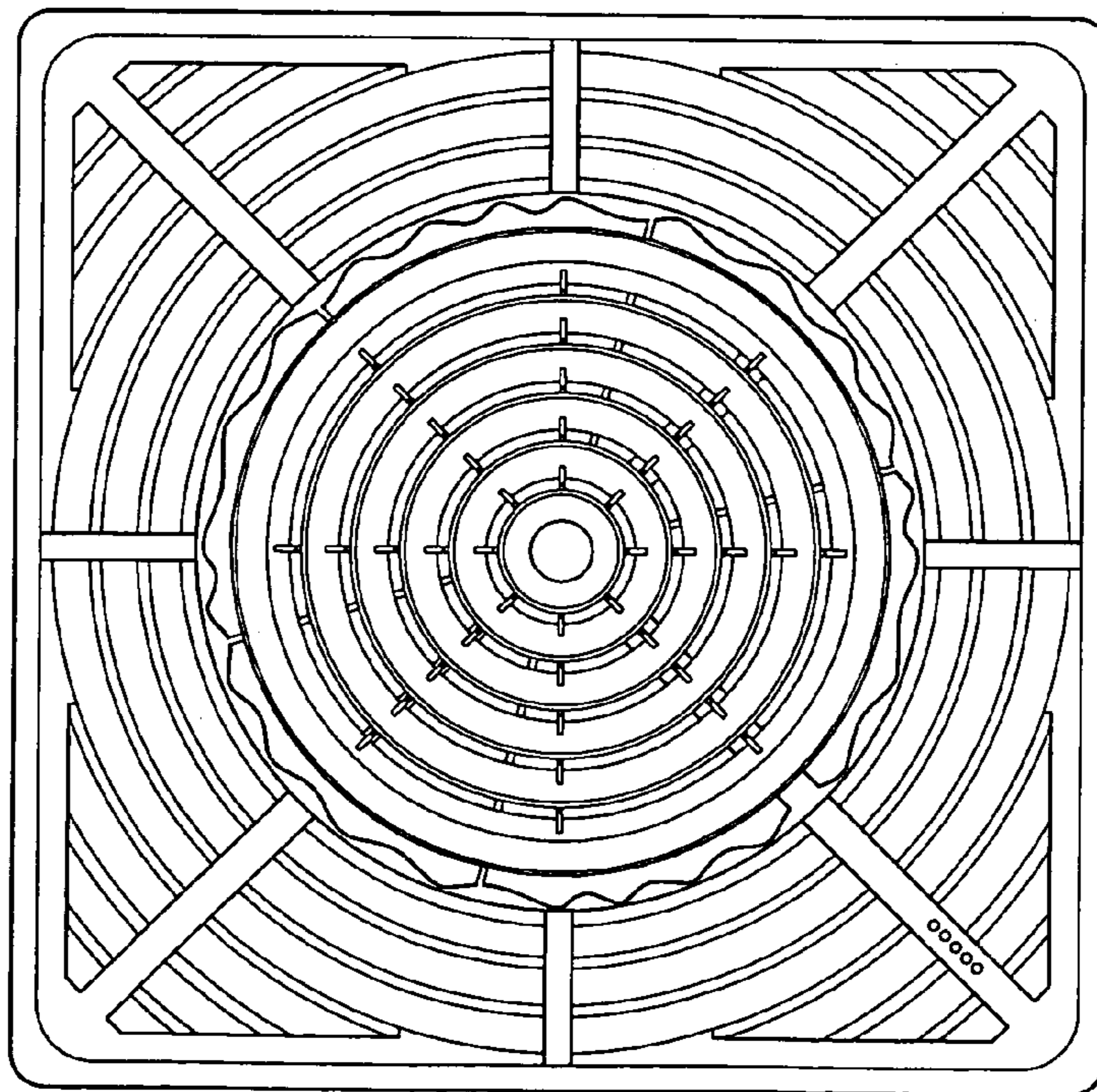


FIG. 5